

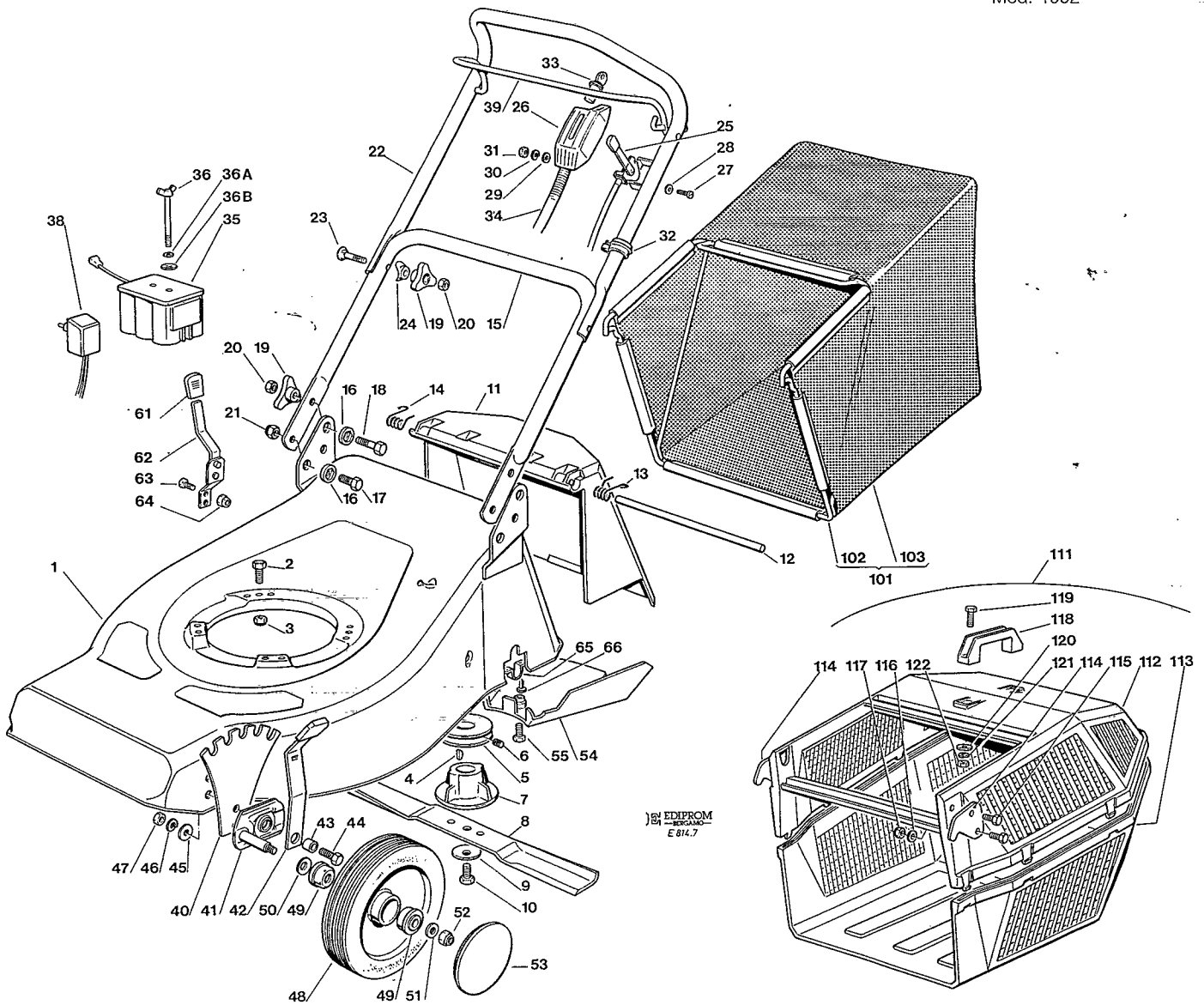


# RASER®

VISTE ESPLOSE  
EXPLODED VIEWS  
VUES ECLATEES  
SPRENGZEICHNUNGEN

## R 484 TR R 484 TR-E 001

Mod. 1992



Pos. Nr.	Codice Kodex Code	Descrizione	Description	Description	Beschreibung	Q.tà Q.ty Q.tè Menge
		832 300 626 W696				
1	81001314/0	CHASSIS ROSSO R 484 TR	RED DECK R 484 TR	CHASSIS ROUGE R 484 TR	ROTE GEHÄUSE R 484 TR	1
1A	81001315/0	CHASSIS ROSSO R 484 TR-E	RED DECK R 484 TR-E	CHASSIS ROUGE R 484 TR-E	ROTE GEHÄUSE R 484 TR-E	1
2	12793700/0	VITE	SCREW	VIS	SCHRAUBE	3
3	12293201/0	DADO	NUT	ECROU	MUTTER	3
4	12139100/0	LINGUETTA (PP Ø22)	FEATHER (P.T.O. Ø22)	CLAVETTE (P.F. Ø22)	KEIL (MW Ø22)	1
4B	12139150/0	LINGUETTA (PP Ø25)	FEATHER (P.T.O. Ø25)	CLAVETTE (P.F. Ø25)	KEIL (MW Ø25)	1
5	22601903/0	PULEGGIA (Ø25 4 Km/h)	PULLEY (Ø25 4 Km/h)	POULIE (Ø25 4 Km/h)	RIEMENSCHLEIBE (Ø25 4 Km/h)	1
5A	22601906/0	PULEGGIA (Ø22 4 Km/h)	PULLEY (Ø22 4 Km/h)	POULIE (Ø22 4 Km/h)	RIEMENSCHLEIBE (Ø22 4 Km/h)	1
6	12714302/0	GRANO PER PULEGGIA SENZA LINGUETTA	DOWEL FOR PULLEY WITHOUT FEATHER	VIS POUR POULIE SANS CLAVETTE	STIFT FUER RIEMENSCHLEIBE OHNE KEIL	1
6A	12713801/0	GRANO PER PULEGGIA CON LINGUETTA	DOWEL FOR PULLEY WITH FEATHER	VIS POUR POULIE AVEC CLAVETTE	STIFT FUER RIEMENSCHLEIBE MIT KEIL	1
7	22463012/1	MOZZO (PP 62 Ø22)	HUB (P.T.O 62 Ø22)	MOYEU (P.F. 62 Ø22)	HALTER (MW 62 Ø22)	1
7A	22463020/0	MOZZO (PP 62 Ø25)	HUB (P.T.O. 62 Ø25)	MOYEU (P.F. 62 Ø25)	HALTER (MW 62 Ø25)	1
8	81004346/0	COLTELLO STANDARD	STANDARD BLADE	LAME STANDARD	ST. MESSER	1
8A	81004397/0	COLTELLO ALETTATO	WINGS BALDE	LAME A AILETTES	FLUEGEL MESSER	1
9	22160400/0	RONDELLA ELASTICA	ELASTIC WASHER	RONDELLE ELASTIQUE	ELASTISCHE SCHEIBE	1
9A	12523080/0	RONDELLA	WASHER	RONDELLE	SCHEIBE	1
10	12735698/0	VITE (PP 62)	SCREW (P.T.O 62)	VIS (P.F. 62)	SCHRAUBE (MW 62)	1



### CASTEL GARDEN EQUIPMENT spa

I - 31033 CASTELFRANCO VENETO - ITALY  
TF (0423) 493161 - TX 433359 GARDEN ITALY  
FAX (0423) 498404

CN 71502812/0  
Printed in Italy by TYP'0

Pos. Nr.	Codice Kodex Code	Descrizione	Description	Description	Beschreibung	Q.tà Q.ty Q.tè Menge
11	22600028/0	PARASSASSI	STONE GUARD	PARE PIERRES	PRALLBLECH	1
12	22517906/0	PERNO FULCRO	PIN	PIVOT	BOLZEN	1
13	22450420/0	MOLLA SX	L. SPRING	RESSORT GAUCHE	L. FEDER	1
14	22450410/0	MOLLA DX	R. SPRING	RESSORT DROITE	R. FEDER	1
15	81006512/0	PARTE INF. MANICO	LOWER HANDLE	PARTIE INF. MANCHERON	UNTERHOLM	1
16	22041955/0	BUSSOLA	BUSH	DOUILLE	HUELSE	4
17	12792610/0	VITE	SCREW	VIS	SCHRAUBE	2
18	12793700/0	VITE	SCREW	VIS	SCHRAUBE	2
19	22399900/0	MANOPOLINA	HANDGRIP	POIGNEE	GRIFF	4
20	12293200/0	DADO	NUT	ECROU	MUTTER	4
21	12155000/0	DADO	NUT	ECROU	MUTTER	2
22	81006907/0	PARTE SUP. MANICO	UPPER HANDLE	PARTIE SUP. MANCHERON	OBERHOLM	1
23	12819201/0	VITE	SCREW	VIS	SCHRAUBE	2
24	22680006/1	RONDELLA	WASHER	RONDELLE	SCHEIBE	2
25	81007048/0	ASS. ACC. UNIVERSALE	THROTTLE UNIT	ENS. ACCELERATEUR	BESCHLEUNIGER	1
26	22120142/0	CRUSCOTTO TR	DASH BOARD TR	CONSOLE TR	KONSOLE TR	1
26A	22120143/0	CRUSCOTTO TR/ES	DASH BOARD TR/ES	CONSOLE TR/ES	KONSOLE TR/ES	1
27	12791400/0	VITE	SCREW	VIS	SCHEIBE	1
28	12523040/0	RONDELLA	WASHER	GROWER	SCHEIBE	2
29	12521330/0	RONDELLA	WASHER	GROWER	SCHEIBE	2
30	12582100/0	GROWER	GROWER	GROWER	FEDERRING	2
31	12292100/0	DADO	NUT	ECROU	MUTTER	2
32	22192000/1	FASCETTA ANCORAGGIO	ANCHOR CLAMP	COLLIER ANCRAGE	BOWDENZUGHATER	2
33*	18450050/0	INTERRUPTORE	SWITCH	INTERRUPTEUR	SCHALTER	1
34*	18204180/0	ASS. CABLAGGIO	CABLES UNIT	ENS. CFABLAGÉ	KABEL	1
35*	18120050/0	BATTERIA 12V - 2,5 AH	BATTERY 12V - 2,5 AH	BATTERIE 12V - 2,5 AH	BATTERIE 12V - 2,5 AH	1
36	22517855/0	PERNO	WASHER	RONDELLE	BOLZEN	2
36A	12523000/0	RONDELLA	WASHER	RONDELLE	SCHRAUBE	2
36B	12540020/0	RONDELLA	WASHER	RONDELLE	SCHRAUBE	2
38*	18204110/0	CARICA BATTERIA	BATTERY CHARGER	CHARGEUR DE BATTERIE	LADGERAET	1
39	81001218/1	LEVA TRAZIONE	DRIVING LEVER	LEVIER TRACTION	ANTRIEBHEBEL	1
40	22735530/0	SETTORE	UNIT	SECTEUR	SECTOR	2
41	81005082/0	SUPP. RUOTA	WHEEL SUPPORT	SUPPORT ROUE	RADHALTER	2
42	81003273/0	ASS. LEVA	LEVER UNIT	ENS. LEVIER	KOMPLETTE HEBEL	2
43	22170900/0	DISTANZIALE	SPACER	ENTRETOISE	DISTANZRING	2
44	12794200/0	VITE	SCREW	VIS	SCHRAUBE	2
45	12523080/0	RONDELLA	WASHER	RONDELLE	SCHEIBE	2
46	12585100/0	GROWER	GROWER	GROWER	FEDERRING	2
47	12295200/0	DADO	NUT	ECROU	MUTTER	2
48	81007311/0	RUOTA NERA	BLACK WHEEL	ROUE NOIRE	SCHWARZE RAD	2
49	22122200/0	CUSCINETTO	BEARING	ROULEMENT	KUEGELLAGER	2
50	12530150/0	RONDELLA ELASTICA	ELASTIC WASHER	RONDELLE ELASTIQUE	ELASTISCHE SCHEIBE	2
51	12521350/0	RONDELLA	WASHER	RONDELLE	SCHEIBE	2
52	12155000/0	DADO	NUT	ECROU	MUTTER	2
53	22110262/0	COPRIMOZZO BIANCO	HUBCAP	COUVRE-MOYEU	RADKAPPE	2
54	22060180/0	CARTER	DECK	CHASSIS	CHASSIS	1
55	12727791/0	VITE	SCREW	VIS	SCHRAUBE	1
61	22397000/0	MANOPOLA	KNOB	POIGNEE	GRIF	1
62	81003279/0	LEVA	LEVIER	LEVIER	HEBEL	1
63	12788880/0	VITE	SCREW	VIS	SCHRAUBE	2
64	12154330/0	DADO	NUT	ECROU	MUTTER	2
65	22545152/0	PIASTRINA	PLATE	PLAQUETTE	PLATTE	2
66	12788910/0	VITE	SCREW	VIS	SCHRAUBEN	4
101	98004000/0	ASS. SACCO IN TELA	CANVASS GRASSCATCHER ASS'Y	ENSEMBLE SAC EN TOILE	KOMPLETTER SACK	1
102	81006408/0	TELAIO	CHASSIS	CHASSIS	RAHMEN	1
103	81002105/0	TELA SACCO	FABRIC BOX	TOILE POUR SAC	TUCK FUER SACK	1
111	98005000/0	SACCO COMPLETO	COMPLETE GRASS-BOX	BAC COMPLET	KOMPLETTER KORB	1
112	22486061/1	PARTE SUP. SACCO	UPPER GRASSBOX	PARTIE SUP. BAC	KORB OBERTEIL	1
113	22486060/0	PARTE INF. SACCO	LOWER GRASSBOX	PARTIE INF. BAC	KORB UNTERTEIL	1
114	22775170/1	SUPPORTO SACCO	SUPPORT FOR GRASSBOX	SUPPORT BAC	KORB HALTER	2
115	12789000/0	VITE	SCREW	VIS	SCHRAUBEN	4
116	12521540/0	RONDELLA	WASHER	RONDELLE	SCHEIBE	4
117	12154330/0	DADO	NUT	ECROU	MUTTER	4
118	22381900/0	MANIGLIA SACCO	GRASS CATCHER HANDLE	POIGNEE BAC	KORBGRIF	1
119	12791400/0	VITE	SCREW	VIS	SCHRAUBEN	2
120	12523040/0	RONDELLA	WASHER	RONDELLE	SCHEIBE	2
121	12582100/0	GROWER	GROWER	GROWER	FEDERRING	2
122	12292100/0	DADO	NUT	ECROU	MUTTER	2
-	81008577/0	DOTAZIONE SACCO TR/E	GRASS-BOX OUTFIT TR/E	DOTATION BAC TR/E	KORBAUSSTATTUNG TR/E	1
-	81008581/0	DOTAZIONE VITERIA TR	SCREWS OUTFIT TR	DOTATION VISSERIE TR	SCHRAUBEN SATZ TR	1

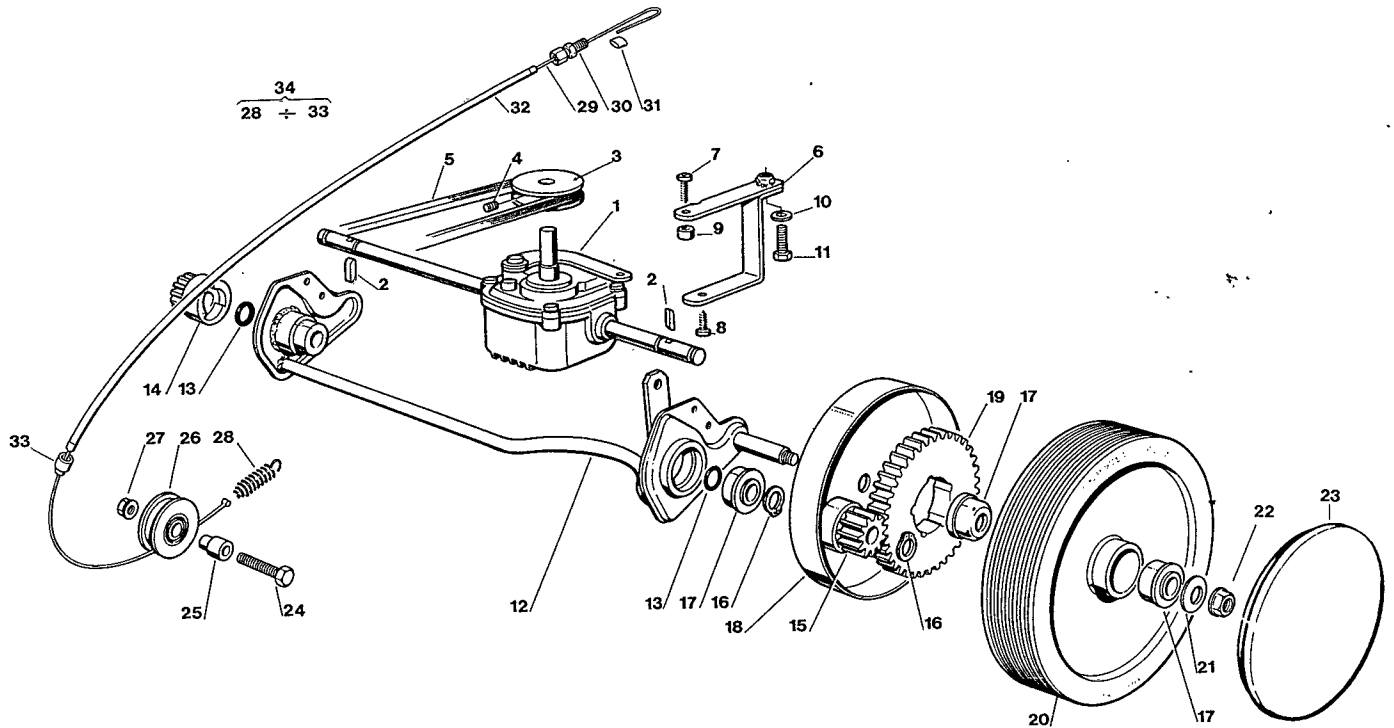
DOVENDO SOSTITUIRE IN GARANZIA LE PARTI CONTRASSEGNAE CON «\*» RIVOLGERSI AL COSTRUTTORE DEL MOTORE.  
IF YOU HAVE TO CHANGE THE PIECES INDICATED WITH «\*» ON WARRANTY YOU ADDRESS TO AFTER SALES SERVICE OF ENGINE MANUFACTURER.  
SI VOUS DEVEZ SUBSTITUER LES PIÈCES INDICUÉES AVEC «\*» SOUS GARANTIE VOUS DEVEZ VOUS ADRESSER AU SERVICE APRÈS VENTES DE LA MAISON CON-  
STRUCTRICE DU MOTEUR.  
BITTE WENDEN SIE SICH BEI GARANTIEREPARATUREN DER MIT «\*» GEKENNZEICHNETEN TEILE AN DIE KUNDENDIENSTSTELLE DES MOTORHERSTELLER.



# Raser®

VISTE ESPLOSE  
EXPLODED VIEWS  
VUES ECLATEES  
SPRENGZEICHNUNGEN

**R 484 TR**  
**R 484 TR-E 002**



Pos. Nr.	Codice Kodex Code	Descrizione	Description	Description	Beschreibung	Q.tà Q.ty Q.tè Menge
1	18652020/0	GRUPPO TRAZIONE	REAR DRIVE UNIT	GROUPE TRACTION	RIEMEN	1
2	22328600/1	LINGUETTA DI TRASCINAMENTO	DRIVING KEY	CLAVETTE	MITNEHMERLAPPEN	2
3	22601901/0	PULEGGIA 4 KM/H	PULLEY 4 KM/H	POULIE 4 KM/H	RIEMENSCHLEIBE 4 KM/H	1
4	12714302/0	GRANO	DOWEL	VIS SANS TETE	STIFT	1
5	35063800/0	CINGHIA (Z 27)	BELT (Z 27)	COURROIE (Z 27)	RIEMEN (Z 27)	1
6	81000959	SUPPORTO TRAZIONE	SUPPORT	SUPPORT	ANTRIEBHALTER	1
7	12728505/0	VITE	SCREW	VIS	SCHRAUBE	1
8	12728630/0	VITE	SCREW	VIS	SCHRAUBE	1
9	22170600/0	DISTANZIALE	SPACER	ENTRETOISE	ENTFERNUNGSSTK	1
10	12523060/0	RONDELLA	WASHER	ECROU	SCHLEIBE	1
11	12793850/0	VITE	SCREW	VIS	SCHRAUBE	1
12	81001252/0	ASSE RUOTE POST.	REAR WHEELS AXLE	AXE ROUES ARR.	HINTERRAEDER ACHSE	1
13	12019900/0	ANELLO OR	OR RING	BAGUE OR	RING	2
14	22570110/0	PIGNONE DX	RIGHT PINION	PIGNON DROITE	L. RITZEL	1
15	22570120/0	PIGNONE SX	LEFT PINION	PIGNON GAUCHE	R. RITZEL	1
16	12608600/0	SEEGER	SEEGER	SEEGER	SEEGER	4
17	22122200/0	CUSCINETTO	BEARING	ROULEMENT	KUEGELLAGER	6
18	81006846/0	PROTEZIONE RUOTE	WHEEL GUARD	PROTECTION ROUE	RAEDERSCHUTZ	2
19	22120105/1	CORONA	RING GEAR	COURONNE	KRANZ	2
20	81007313/0	RUOTA Ø210 NERA	BLACK Ø210 WHEEL	ROUES Ø210 NOIRE	SCHWARZE Ø210 RAD	2
21	12369500/0	RONDELLA	WASHER	RONDELLE	SCHLEIBE	2
22	12155000/0	DADO	NUT	ECROU	MUTTER	2
23	22110265/0	COPRIMOZZO BIANCO	WHITE HUB COVER	COUVRE MOYEU BLANC	WEISSE RADKAPPE	2
24	12691100/0	VITE	SCREW	VIS	SCHRAUBE	1
25	22170920/0	DISTANZIALE	SPACER	ENTRETOISE	ENTFERNUNGSSTK.	1
26	81003375/0	ASS. RUOTINO	ROLLER UNIT	ENS. ROULEMENT	KUEGELLAGER	1
27	12293201/0	DADO	NUT	ECROU	MUTTER	1
28	22450800/0	MOLLA	SPRING	RESSORT	FEDER	1
29	22206041/1	FILO BOWDEN	BOWDEN WIRE	FIL BOWDEN	BOWDEN KABEL	1
30	22604052/0	REGISTRO	ADJUSTER	ECROU REGISTRE	SCHRAUBENMUTTER	1
31	15407030/0	FASCETTA	CLIP	BANDE	KABELBAND	1
32	22265320/0	GUAINA BOWDEN	BOWDEN SHEAT	GAINE BOWDEN	BOWDENKABEL ABDECKUNG	1
33	13120101/0	BUSSOLA	BUSH	DOUILLE	MUELSE	1
34	81001083/0	ASS. COMANDO TRAZIONE	REAR DRIVE UNIT	ENS. GROUPE TRACTION	ANTRIEB	1