

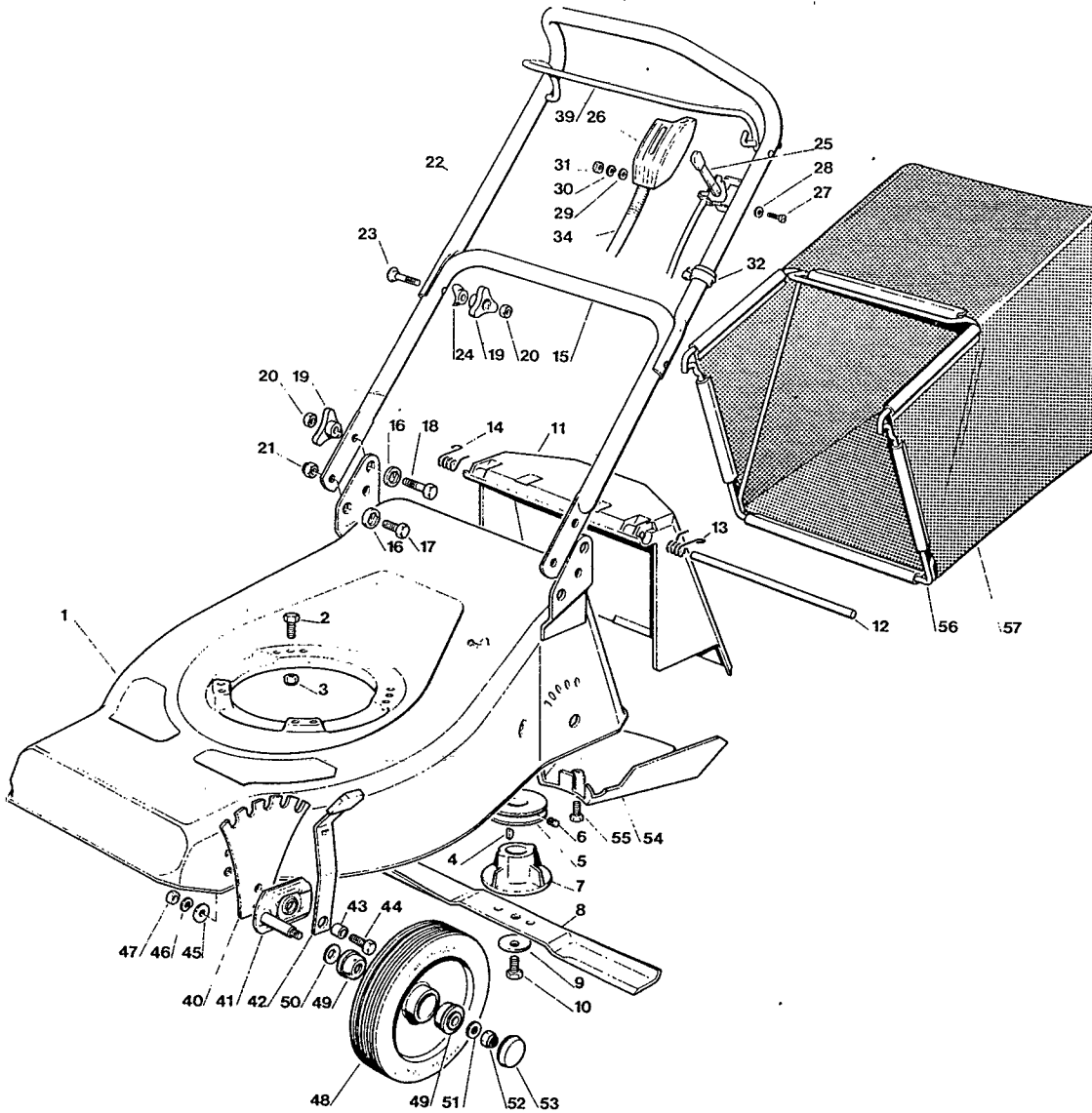


Raser^(R)

VISTE ESPLOSE
EXPLODED VIEWS
VUES ECLATEES
SPRENGZEICHNUNGEN

R 484 TR

Mod. 1989



Pos. Nr.	Codice Kodex Code	Descrizione	Description	Description	Beschreibung	Q.tà Q.ty Q.tè Menge
1	81000954/0	CHASSIS ROSSO R 434 TR	RED DECK R 434 TR	CHASSIS ROUGE R 434 TR	ROTE GEHÄUSE R 434 TR	1
1A	81000956/0	CHASSIS ROSSO R 484 TR	RED DECK R 484 TR	CHASSIS ROUGE R 484 TR	ROTE GEHÄUSE R 484 TR	1
1B	81000958/1	CHASSIS ROSSO R 484 TR-E	RED DECK R 484 TR-E	CHASSIS ROUGE R 484 TR-E	ROTE GEHÄUSE R 484 TR-E	1
2	12793700/0	VITE	SCREW	VIS	SCHRAUBE	3
3	12293201/0	DADO	NUT	ECROU	MUTTER	3
4	12139100/0	LINGUETTA	FEATHER	CLAVETTE	KEIL	1
5	22601900/0	PULEGGIA	PULLEY	POULIE	RIEMENSCHLEIBE	1
6	12714302/0	GRANO PER PULEGGIA SENZA LINGUETTA	DOWEL FOR PULLEY WITHOUT FEATHER	VIS POUR POULIE SANS CLAVETTE	STIFT FUER RIEMENSCHLEIBE OHNE KEIL	1
6A	12713801/0	GRANO PER PULEGGIA CON LINGUETTA	DOWEL FOR PULLEY WITH FEATHER	VIS POUR POULIE AVEC CLAVETTE	STIFT FUER RIEMENSCHLEIBE MIT KEIL	1
7	22463011/0	MOZZO (PP 62)	HUB (P.T.O. 62)	MOYEU (P.F. 62)	HALTER (MW 62)	1
7A	22463255/1	MOZZO (PP 80) <i>lav</i>	HUB (P.T.O. 80)	MOYEU (P.F. 80)	HALTER (MW 80)	1
8	81004341/0	COLTELLO STANDARD R 434	STANDARD BLADE R 434	LAME STANDARD R 434	ST. STANDARD R 434	1
8A	81004396/0	COLTELLO ALETTATO R 434	WINGS BLADE R 434	LAME À AILETTE R 434	FLUEGEL MESSSER R 434	1
8B	81004346/0	COLTELLO STANDARD R 484	STANDARD BLADE R 484	LAME STANDARD R 484	ST. MESSER R 484	1
8C	81004397/0	COLTELLO ALETTATO R 484	WINGS BLADE R 484	LAME À AILLETES R 484	FLUEGEL MESSSER R 484	1
9	22160400/0	RONDELLA ELASTICA	ELASTIC WASHER	RONDELLE ELASTIQUE	ELASTISCHE SCHEIBE	1
9A	12523080/0	RONDELLA	WASHER	RONDELLE	SCHEIBE	1
10	12735698/0	VITE (PP 62)	SCREW (P.T.O. 62)	VIS (P.F. 62)	SCHRAUBE (MW 62)	1
10A	12735694/0	VITE (PP 80)	SCREW (P.T.O. 80)	VIS (P.F. 80)	SCHRAUBE (MW 80)	1

Pos. Nr.	Codice Kodex Code	Descrizione	Description	Description	Beschreibung	Q.tà Q.ty Q.ty Me.
11	22600025/0	PARASSASSI	STONE GUARD	PARE PIERRES	PRALLBLECH	1
12	22517906/0	PERNO FULCRO	PIN	PIVOT	BOLZEN	1
13	22450900/0	MOLLA SX	L. SPRING	RESSORT GAUCHE	L. FEDER	1
14	22450400/0	MOLLA DX	R. SPRING	RESSORT DROITE	R. FEDER	1
15	81006512/0	PARTE INF. MANICO	LOWER HANDLE	PARTIE INF. MANCHERON	UNTERHOLM	1
16	22041955/0	BUSSOLA	BUSH	DOUILLE	HUELSE	4
17	12792610/0	VITE	SCREW	VIS	SCHRAUBE	2
18	12793700/0	VITE	SCREW	VIS	SCHRAUBE	2
19	22399900/0	MANOPOLINA	HANDGRIP	POIGNEE	GRIFF	4
20	12293200/0	DADO	NUT	ECROU	MUTTER	4
21	12155000/0	DADO	NUT	ECROU	MUTTER	2
22	81006907/0	PARTE SUP. MANICO	UPPER HANDLE	PARTIE SUP. MANCHERON	OBERHOLM	1
23	12819201/0	VITE	SCREW	VIS	SCHRAUBE	2
24	22680006/1	RONDELLA	WASHER	RONDELLE	SCHIBE	2
25	81007048/0	ASS. ACC. UNIVERSALE	THROTTLE UNIT	ENS. ACCELERATEUR	BESCHLEUNIGER	1
26	22120142/0	CRUSCOTTO TR	DASH BOARD TR	CONSOLE TR	KONSOLE TR	1
26A	22120143/0	CRUSCOTTO TR/ES	DASH BOARD TR/ES	CONSOLE TR/ES	KONSOLE TR/ES	1
27	12791400/0	VITE	SCREW	VIS	SCHIBE	1
28	12523040/0	RONDELLA	WASHER	GROWER	SCHIBE	2
29	12521330/0	RONDELLA	WASHER	GROWER	SCHIBE	2
30	12582100/0	GROWER	GROWER	GROWER	FEDERRING	2
31	12292100/0	DADO	NUT	ECROU	MUTTER	2
32	22192000/0	FASCETTA ANCORAGGIO	ANCHOR CLAMP	COLLIER ANCRAGE	BOWDENZUGHAEFER	2
33*	18450050/0	INTERRUTTORE	SWITCH	INTERRUPTEUR	SCHALTER	1
34*	18204180/0	ASS. CABLAGGIO	CABLES UNIT	ENS. CABLAGE	KABEL	1
39	81001218/1	LEVA TRAZIONE	DRIVING LEVER	LEVIER TRACTION	ANTRIEBHEBEL	1
	REGOLAZIONE RUOTA Ø 170	WHEELS ADJUSTMENT Ø 170	REGLAGE ROUES Ø 170	RADEURSTELLUNG Ø 170		
40	22735530/0	SETTORE	UNIT	SECTEUR	SECTOR	2
41	81005082/0	SUPP. RUOTA	WHEEL SUPPORT	SUPPORT ROUE	RADHALTER	2
42	81003273/0	ASS. LEVA	LEVER UNIT	ENS. LEVIER	KOMPLETTE HEBEL	2
43	22170900/0	DISTANZIALE	SPACER	ENTRETOISE	DISTANZRING	2
44	12794200/0	VITE	SCREW	VIS	SCHRAUBE	2
45	12523080/0	RONDELLA	WASHER	RONDELLE	SCHIBE	2
46	12585100/0	GROWER	GROWER	GROWER	FEDERRING	2
47	12295200/0	DADO	NUT	ECROU	MUTTER	2
48	81007292/0	RUOTA GIALLA	JELLOW WHEEL	ROUE JAUNE	GELBES RAD	2
48A	81007242/0	RUOTA BIANCA	WHITE WHEEL	ROUE BLANCHE	WEISSES RAD	2
49	22122200/0	CUSCINETTO	BEARING	ROULEMENT	KUEGELLAGER	2
50	12530150/0	RONDELLA ELASTICA	ELASTIC WASHER	RONDELLE ELASTIQUE	ELASTISCHE SCHIBE	2
51	12521350/0	RONDELLA	WASHER	RONDELLE	SCHIBE	2
52	12155000/0	DADO	NUT	ECROU	MUTTER	2
53	22110275/0	COPRIMOZZO	HUBCAP	COUVRE-MOYEU	RADKAPPE	2
54	22060170/0	CARTER (434 TR)	DECK (434 TR)	CHASSIS (434 TR)	CHASSIS (434 TR)	1
54A	22060180/0	CARTER (484 TR)	DECK (484 TR)	CHASSIS (484 TR)	CHASSIS (484 TR)	1
55	12727791/0	VITE	SCREW	VIS	SCHRAUBE	1
56	81006408/0	TELAIO	CHASSIS	CHASSIS	RANMEN	1
57	81002105/0	SACCO	GRASSCATCHER	SAC	SACK	1

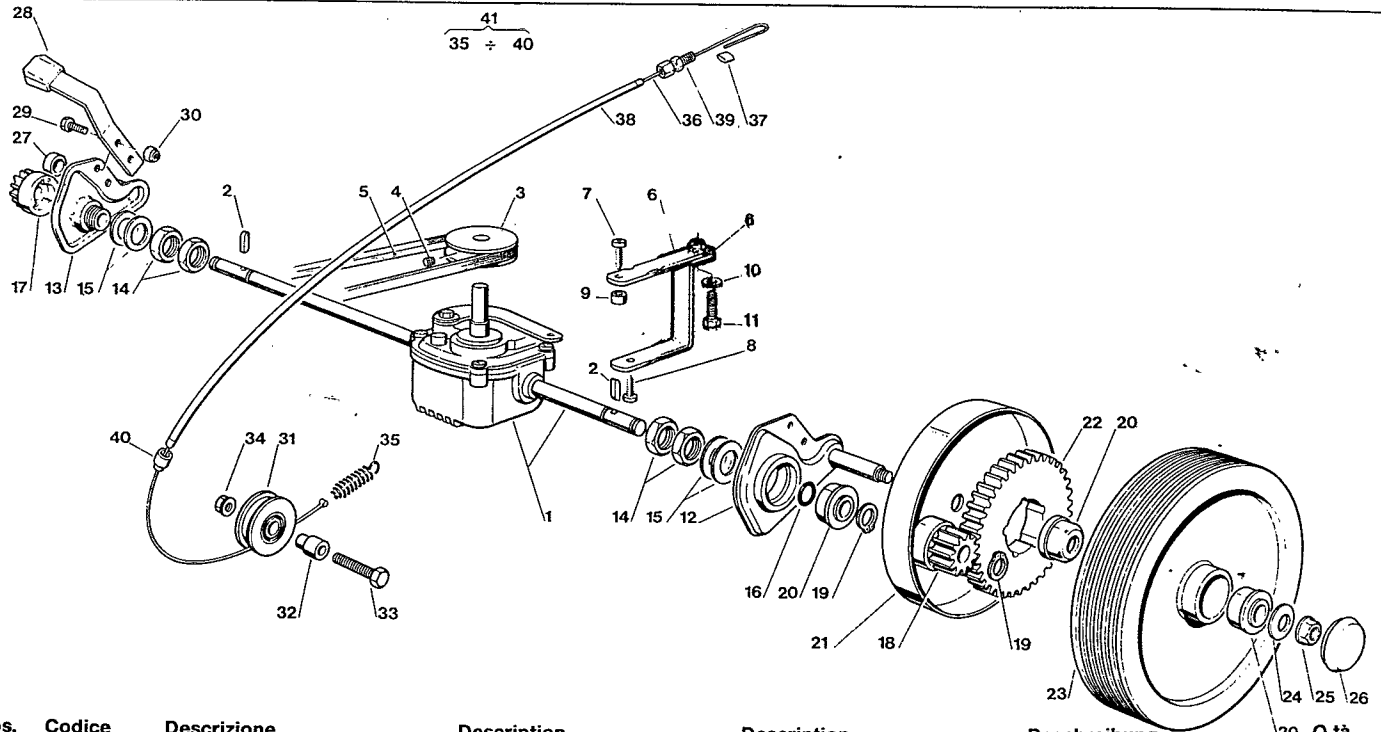
DOVENDO SOSTITUIRE IN GARANZIA LE PARTI CONTRASSEGNAE CON «*» RIVOLGERSI AL COSTRUTTORE DEL MOTORE.
IF YOU HAVE TO CHANGE THE PIECES INDICATED WITH «*» ON WARRANTY YOU ADRESS TO AFTER SALES SERVICE OF ENGINE MANUFACTURER.
SI VOUS DEVEZ SUBSTITUER LES PIÈCES INDIQUÉES AVEC «*» SOUS GARANTIE VOUS DEVEZ VOUS ADRESSER AU SERVICE APRÈS VENTES DE LA MAISON CONSTRUCTRICE DU MOTEUR.
BITTE WENDEN SIE SICH BEI GARANTIEREPARATUREN DER MIT «*» GEKENNZEICHNETEN TEILE AN DIE KUNDENDIENSTSTELLE DES MOTORHERSTELLER.



Raser®

VISTE ESPLOSE
EXPLODED VIEWS
VUES ECLATEES
SPRENGZEICHNUNGEN

R 484 TR



Pos. Nr.	Kodex Code	Descrizione	Description	Description	Beschreibung	Q.tà Q.ty Q.tè Menge
1	18652020/0	GRUPPO TRAZIONE	REAR DRIVE	GRUPE TRACTION	RIEMEN	1
2	22328600/1	LINGUETTA TRASCINAMENTO	DRIVING KEY	CLAVETTE	MITNEHMERLAPPEN	2
3	22601890/0	PULEGGIA RIDUTTORE	PULLEY	POULIE	RIEMENSCHLEIBE	1
4	12714302/0	GRANO	SCREW	VIS	SCHRAUBE	1
5	35063710/0	CINGHIA (Z 25 x R 434 TR)	BELT (Z 25 x R 434 TR)	COURROIE (Z 25 x R 434 TR)	RIEMEN (Z 25 x R 434 TR)	1
5A	35063800/0	CINGHIA (Z 27 x R 484 TR)	BELT (Z 27 x R 484 TR)	COURROIE (Z 27 x R 484 TR)	RIEMEN (Z 27 x R 484 TR)	1
6	81000939/0	SUPPORTO TRAZIONE	SUPPORT	SUPPORT	ANTRIEBHALTER	1
7	12728505/0	VITE	SCREW	VIS	SCHRAUBE	1
8	12728630/0	VITE	SCREW	VIS	SCHRAUBE	1
9	22170600/0	DISTANZIALE	SPACER	ENTRETOISE	ENTFERNUNGSSTÜCK	1
10	12523060/0	RONDELLA	WASHER	ECROU	SCHEIBE	1
11	12793850/0	VITE	SCREW	VIS	SCHRAUBE	1
12	81000934/0	SUPPORTO DX	RIGHT SUPPORT	SUPPORT DROIT	HALTER R	1
13	81000935/0	SUPPORTO SX	LEFT SUPPORT	SUPPORT GAUCHE	HALTER L.	1
14	22245010/0	GHIERA	RINGNUT	BAGUE	NUTMUTTER	4
15	22170050/0	DISTANZIALE	SPACER	ENTRETOISE	DISTANZRING	4
16	12019900/0	ANELLO OR	OR. RING	BAGUE OR.	RING	2
18	22570110/0	PIGNONE DX	RIGHT-PINION	PIGNON DROITE	L. RITZEL	1
18	22570120/0	PIGNONE SX	LEFT PINION	PIGNON GAUCHE	R. RITZEL	1
19	12608600/0	SEEGER	SEEGER	SEEGER	SEEGER	4
20	22122200/0	CUSCINETTO	BEARING	ROULEMENT	KUGELLAGER	6
21	81006846/0	PROTEZIONE RUOTE	WHEEL-GUARD	PROTECTION RUE	RÄDERSCHUTZ	2
22	22120105/0	CORONA	RING GEAR	COURONNE	KRANZ	2
23	81007238/1	RUOTA Ø 210 GIALLA	WHEEL Ø 210 YELLOW	ROUE Ø 210 JAUNE	RAD Ø 210 GELB	2
23A	81007234/1	RUOTA Ø 210 BIANCA	WHEEL Ø 210 WHITE	ROUE Ø 210 BLANCHE	RAD Ø 210 WEIB	2
24	12369500/0	RONDELLA ELASTICA	ELASTIC WASHER	RONDELLE ELASTIQUE	SCHEIBE	2
25	12155000/0	DADO	NUT	ECROU	MUTTER	2
26	22110275/0	COPRIMOZZO	HUB CUP	COUVRE-MOYEN	RADKAPPE	2
27	22170800/0	DISTANZIALE	SPACER	ENTRETOISE	ENTFERNUNGSSTÜCK	1
28	81003287/0	ASS. LEVA	LEVER ASS'Y	ENS. LEVIER	HEBEL	2
29	12788800/0	VITE	SCREW	VIS	SCHRAUBE	4
30	12154320/0	DADO	NUT	ECROU	MUTTER	4
31	81003375/0	ASS. RUOTINO	ROLLER ASS'Y	ENS. ROULEMENT	KUGELLAGER	1
32	22170920/0	DISTANZIALE	SPACER	ENTRETOISE	ENTFERNUNGSSTÜCK	1
33	12691100/0	VITE	SCREW	VIS	SCHRAUBE	1
34	12293201/0	DADO	NUT	ECROU	MUTTER	1
35	22450800/0	MOLLA	SPRING	RESSORT	FEDER	1
36	22206041/1	FILO BOWDEN	BOWDEN WIRE	FIL BOWDEN	BOWDEN KABEL	1
37	15407030/0	FASCETTA	CLIP	COLLIER	KABELBAND	1
38	22265320/0	GUAINA BOWDEN	BOWDEN SHEAT	GAINÉ BOWDEN	BOWDENKABEL ABDECKUNG	1
39	22604052/0	REGISTRO	ADJUSTER	ECROU REGISTRE	SCHRAUBENMUTTER	1
40	13120101/0	BUSSOLA	BUSH	DOUILLE	HÜLSE	1
41	81001083/0	ASS. COMANDO TRAZIONE	REAR DRIVE UNIT	ENS. GROUPE TRACTION	ANTRIEB	1