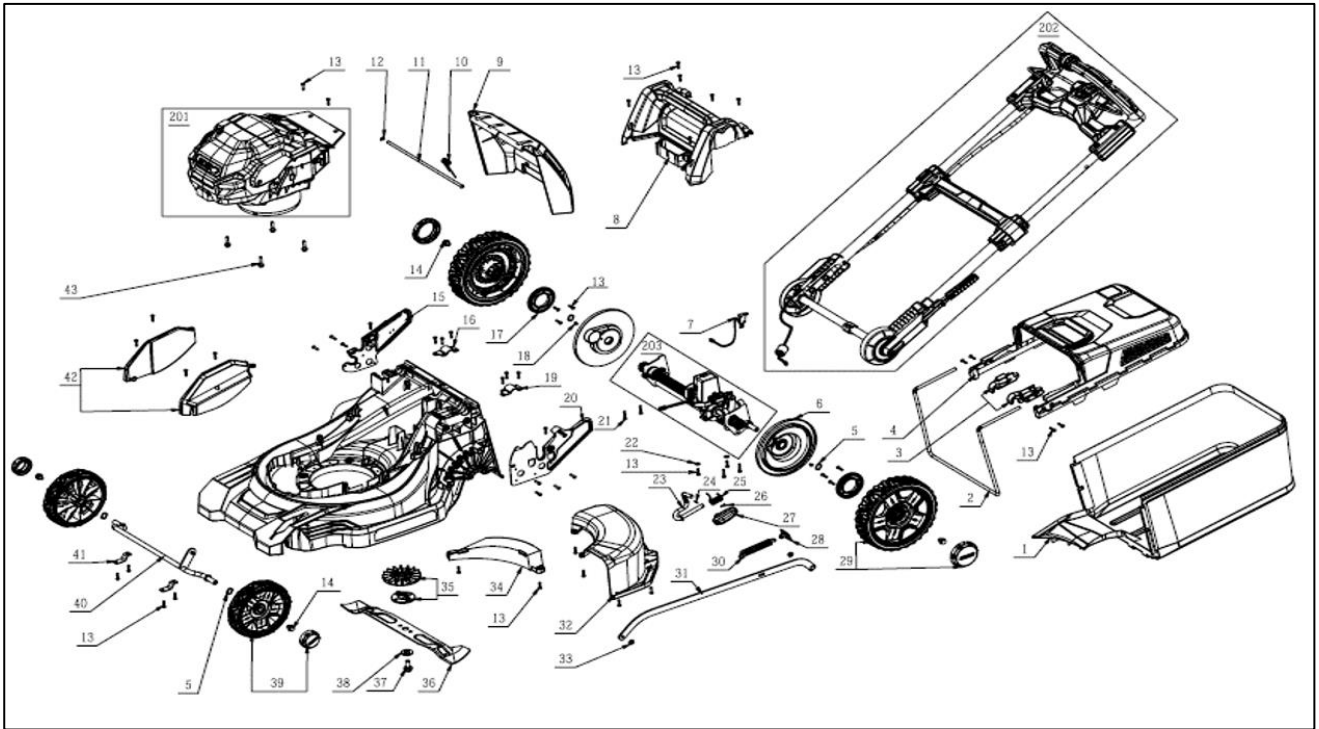


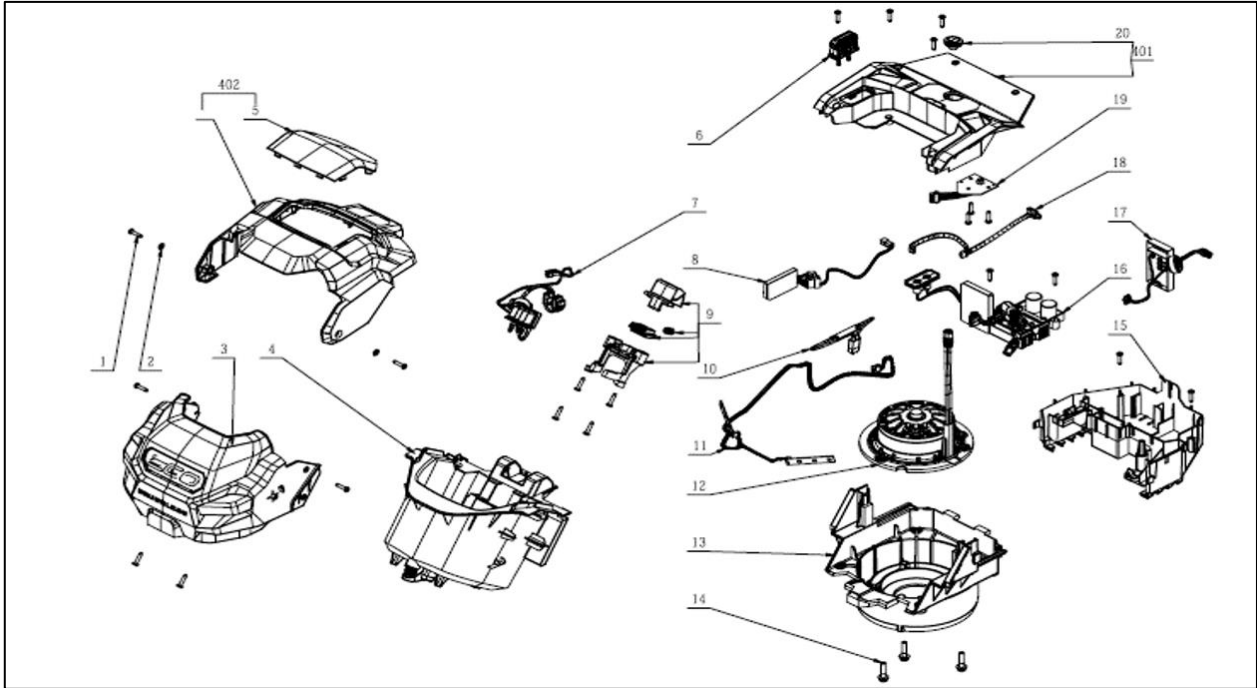
Model: LM1903E-SP KIT

Part Number: 90067140

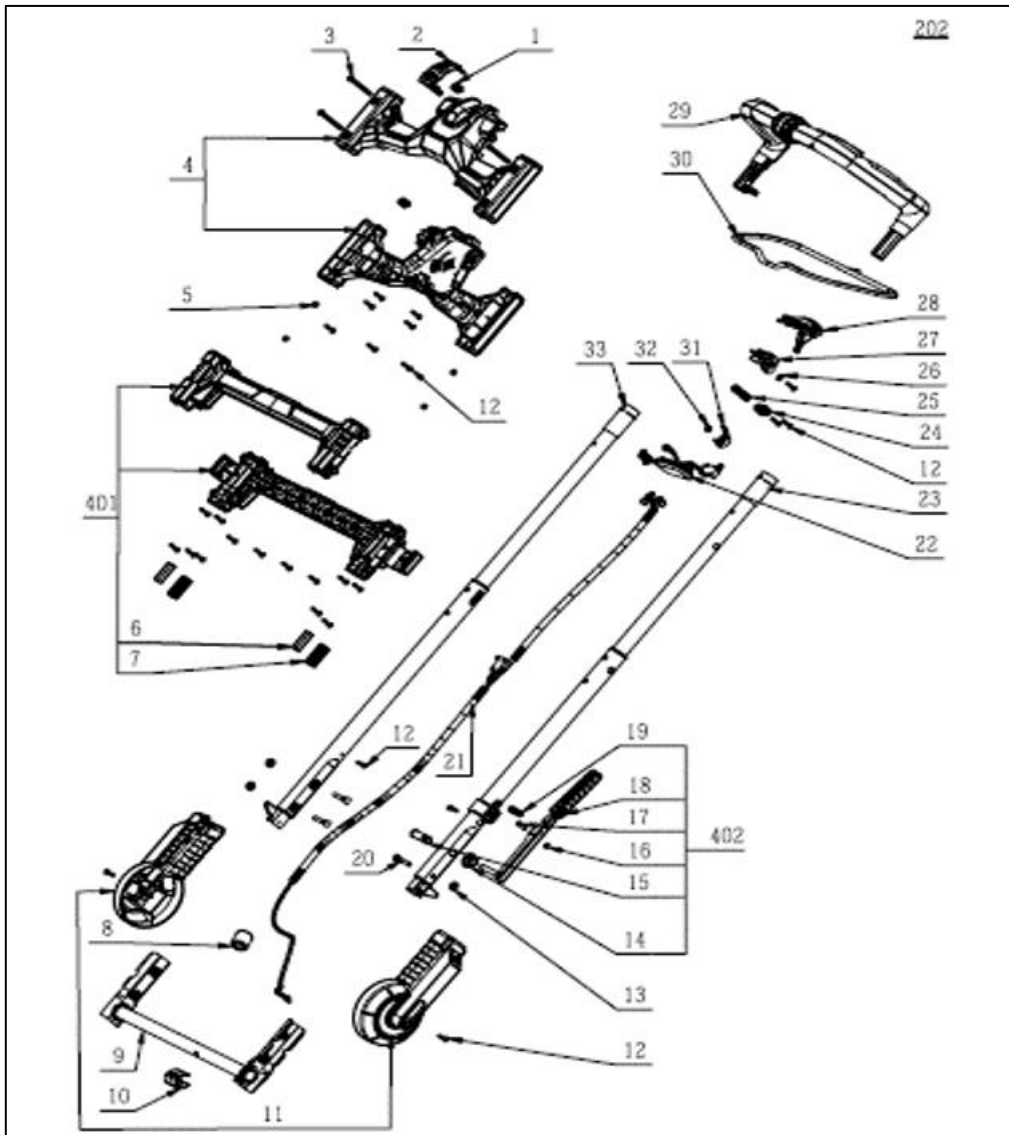
Year: 2020



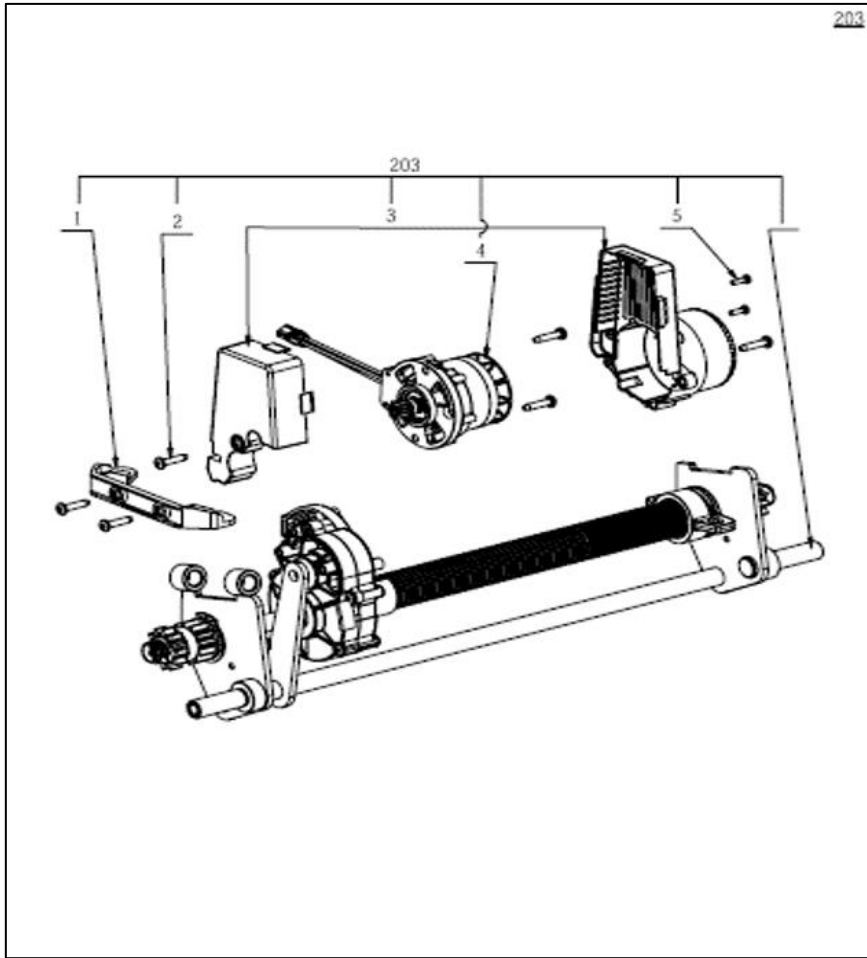
POS	QTY	PARTNUMBER	BESKRIVELSE	DESCRIPTION
1	1	447362	GRASS CATCHER ASSEMBLY	GRASS CATCHER ASSEMBLY
2	1	447341	BAG FRAME	BAG FRAME
3	1	447372	POTHOOK ASSEMBLY	POTHOOK ASSEMBLY
4	1	446772	COVER ASSEMBLY	COVER ASSEMBLY
5	4	447566	WAVE WASHER	WAVE WASHER
6	2	447059	PROTECTING CAP	PROTECTING CAP
7	1	446766	SWITCH ASSEMBLY	SWITCH ASSEMBLY
8	1	446752	SERVICE COVER ASSEMBLY	SERVICE COVER ASSEMBLY
9	1	447093	REAR COVER	REAR COVER
10	1	447232	TORSION SPRING	TORSION SPRING
11	1	447623	SHAFT	SHAFT
12	1	447598	E RING	E RING
13	50	447469	TAPPING SCREW	TAPPING SCREW
14	4	447526	HEXAGON FLANGE BOLT	HEXAGON FLANGE BOLT
15	1	446759	SUPPORT ASSY	SUPPORT ASSY
16	1	447353	MOUNTING PLATE	MOUNTING PLATE
17	2	447167	GEAR	GEAR
18	2	447466	SCREW	SCREW
19	1	447346	MOUNTING PLATE	MOUNTING PLATE
20	1	447345	SUPPORT PLATE	SUPPORT PLATE
21	4	447489	SCREW	SCREW
22	2	447541	PLAIN WASHER	PLAIN WASHER
23	1	446753	HANDLE LEVER SET	HANDLE LEVER SET
24	1	447608	PIN	PIN
25	1	447252	TORSION SPRING	TORSION SPRING
26	1	447459	SCREW	SCREW
27	1	447039	HEIGHT ADJUSTING LEVER	HEIGHT ADJUSTING LEVER
28	1	447347	SPRING SEAT	SPRING SEAT
29	2	446797	WHEEL ASSEMBLY	WHEEL ASSEMBLY
30	1	447251	TENSION SPRING	TENSION SPRING
31	1	446751	CONNECTING ROD ASSY	CONNECTING ROD ASSY
32	1	447105	COVER	COVER
33	2	447513	PREVAILING TORQUE HEXAGON NUT	PREVAILING TORQUE HEXAGON NUT
34	1	447104	REAR ENCLOSURE	REAR ENCLOSURE
35	1	446792	FAN ASSEMBLY	FAN ASSEMBLY
36	1	90067241	AB1901	
37	1	447533	FLANGE BOLT	FLANGE BOLT
38	1	447571	WASHER	WASHER
39	2	446798	WHEEL ASSEMBLY	WHEEL ASSEMBLY
40	1	446758	FRONT AXLE SET	FRONT AXLE SET
41	2	447280	MOUNTING PLATE	MOUNTING PLATE
42	1	447371	DECORATIVE COVER ASSY	DECORATIVE COVER ASSY
43	4	447531	BOLT AND WASHER SET	BOLT AND WASHER SET
201	1	446780	POWER UNIT	POWER UNIT
203	1	446760	SELF-PROPELLED UNIT	SELF-PROPELLED UNIT



POS	QTY	PARTNUMBER	BESKRIVELSE	DESCRIPTION
1	21	447469	TAPPING SCREW	TAPPING SCREW
2	2	447548	PLAIN WASHER	PLAIN WASHER
3	1	446770	TOP COVER ASSY	TOP COVER ASSY
4	1	446769	BATTERY BOX ASSY	BATTERY BOX ASSY
6	1	445901	NØGLE	KEY
7	1	447393	WIRING HARNESS	WIRING HARNESS
8	1	446850	LED CONTROL ELECTRIC ASSEMBLY	LED CONTROL ELECTRIC ASSEMBLY
9	1	446793	BUTTON UNIT	BUTTON UNIT
10	1	446830	FUSE PCBA	FUSE PCBA
11	1	446848	LED ELECTRIC ASSEMBLY	LED ELECTRIC ASSEMBLY
12	1	446469	DC MOTOR	DC MOTOR
13	1	447130	BOTTOM SUPPORT	BOTTOM SUPPORT
14	3	447531	BOLT AND WASHER SET	BOLT AND WASHER SET
15	1	447098	MOUNTING PLATE	MOUNTING PLATE
16	1	446783	ELECTRIC ASSEMBLY	ELECTRIC ASSEMBLY
17	1	446851	ELECTRIC ASSEMBLY	ELECTRIC ASSEMBLY
18	1	447395	INTERNAL WIRE ASSY	INTERNAL WIRE ASSY
19	1	446849	PUSH BUTTON PANEL PCBA	PUSH BUTTON PANEL PCBA
401	1	446771	REAR COVER ASSY	REAR COVER ASSY
20	1	447121	BUTTON	BUTTON
402	1	446773	BATTERY COVER ASSY	BATTERY COVER ASSY
5	1	447099	TRANSPARENT GUARD	TRANSPARENT GUARD



POS	QTY	PARTNUMBER	BESKRIVELSE	DESCRIPTION
1	2	447212	SPRING	SPRING
2	1	447109	BUTTON	BUTTON
3	4	447470	HEXAGON SOCKET SCREW	HEXAGON SOCKET SCREW
4	1	447370	SWITCH BOX ASSY	SWITCH BOX ASSY
5	4	447508	PREVAILING TORQUE HEXAGON NUT	PREVAILING TORQUE HEXAGON NUT
8	1	447261	MAGNET RING	MAGNET RING
9	1	446788	SPINDLE ASSY	SPINDLE ASSY
10	1	447110	SWITCH ACTUATOR	SWITCH ACTUATOR
11	1	447374	DECORATIVE COVER ASSY	DECORATIVE COVER ASSY
12	27	447469	TAPPING SCREW	TAPPING SCREW
13	3	447513	PREVAILING TORQUE HEXAGON NUT	PREVAILING TORQUE HEXAGON NUT
20	3	447529	SQUARE NECK BOLT	SQUARE NECK BOLT
21	1	445913	KABEL	INTERNAL WIRE ASSY
22	1	446846	SWITCH ELECTRIC ASSEMBLY	SWITCH ELECTRIC ASSEMBLY
23	1	446755	TELESCOPE TUBE	TELESCOPE TUBE
24	1	446879	CLAMP	CLAMP
25	1	447233	COMPRESSION SPRING	COMPRESSION SPRING
26	1	447541	PLAIN WASHER	PLAIN WASHER
27	1	446938	SWITCH ACTUATOR	SWITCH ACTUATOR
28	1	446939	SWITCH LEVER	SWITCH LEVER
29	1	446786	HANDLE SET	HANDLE SET
30	1	447209	CONTROL HANDLE	CONTROL HANDLE
31	1	447108	SWITCH ACTUATOR	SWITCH ACTUATOR
32	1	447253	TORSION SPRING	TORSION SPRING
33	1	446756	TELESCOPE TUBE	TELESCOPE TUBE
401	1	446785	BEAM ASSEMBLY	BEAM ASSEMBLY
6	2	446894	RUBBER BLOCK	RUBBER BLOCK
7	2	447103	CLAMP BLOCK	CLAMP BLOCK
402	1	446789	HANDLE LEVER SET	HANDLE LEVER SET
14	1	447517	NUT	NUT
15	1	447179	SLEEVE	SLEEVE
16	1	447591	E RING	E RING
17	1	447176	PIN	PIN
18	1	446557	HANDLE LEVER SET	HANDLE LEVER SET
19	1	447234	COMPRESSION SPRING	COMPRESSION SPRING



POS	QTY	PARTNUMBER	BESKRIVELSE	DESCRIPTION
1	1	447058	SUPPORT	SUPPORT
2	6	447469	TAPPING SCREW	TAPPING SCREW
3	1	447375	DUST COVER	DUST COVER
4	1	446787	MOTOR & GEAR ASSY	MOTOR & GEAR ASSY
5	2	447459	SCREW	SCREW