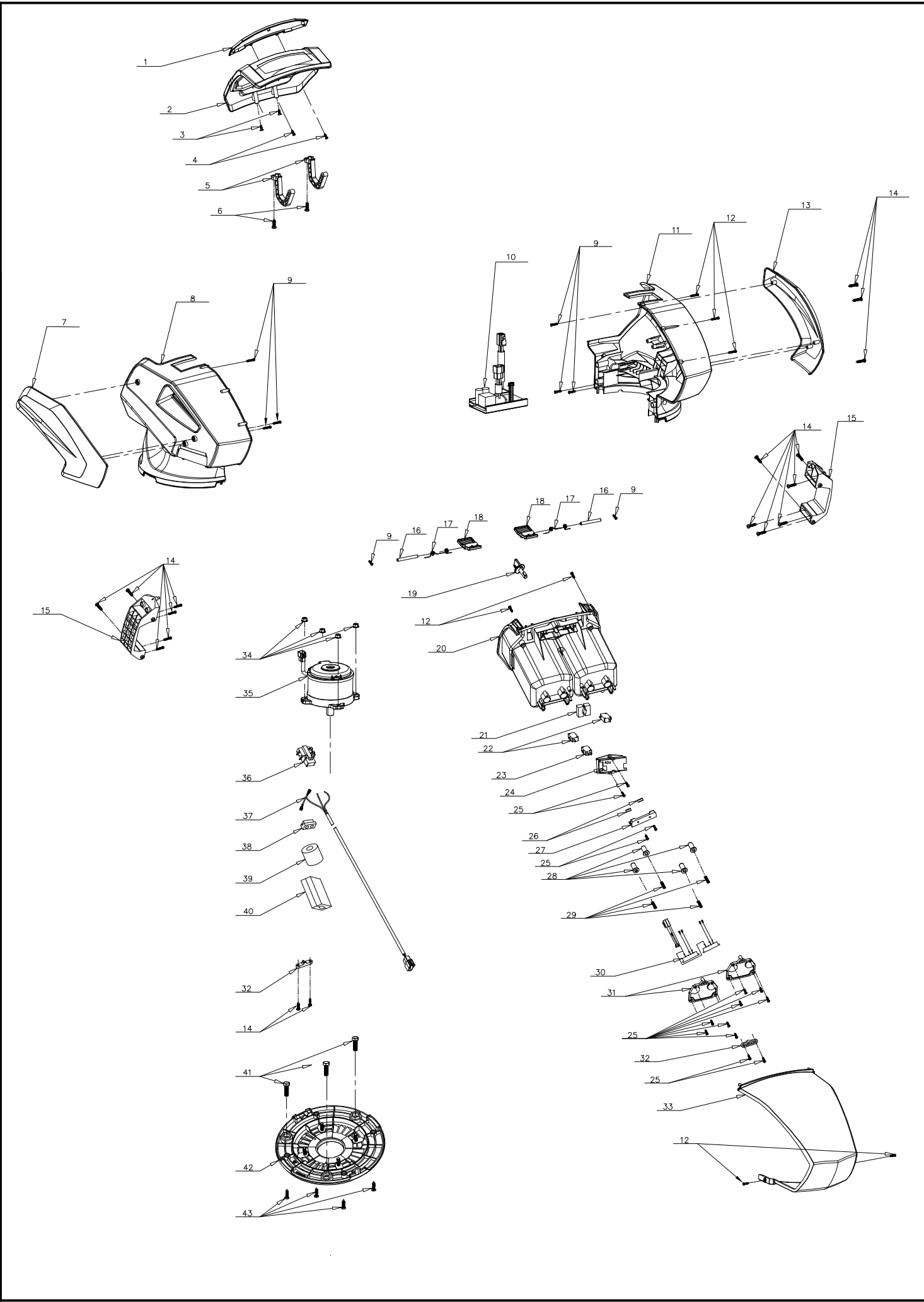


Model: Razor 4200Li
 part Number: 90066666
 Year: 2019

| POS | QTY | PARTNUMBER | BESKRIVELSE | DESCRIPTION |
|------|-----|------------|-------------------------|-------------------------|
| A-1 | 1 | 436613 | BØJLE FOR STOP | BRAKE LEVER |
| A-2 | 1 | 442768 | BESLAG | LIMITING STOPPER |
| A-3 | 1 | 442769 | SOFTGRIP | FOAM PIPE |
| A-4 | 1 | 442770 | ØVERSTE HÅNDTAG | UPPER HANDLE |
| A-5 | 2 | 442771 | BOLT M8X50 | BOLT |
| A-6 | 4 | 442772 | SKIVE | FLAT WASHER |
| A-7 | 4 | 442773 | FINGERSKRUE | KNOB |
| A-8 | 2 | 442774 | PROP | HANDLE PLUG |
| A-9 | 2 | 442775 | NEDERSTE HÅNDTAG | LOWER HANDLE |
| A-10 | 1 | 442776 | KABELHOLDER/CLIPS PLAST | CABLE SUPPORT |
| A-11 | 2 | 442777 | BOLT M8X25 | BOLT |
| A-12 | 2 | 442778 | BOLT M8X15 | BOLT |
| A-13 | 2 | 442779 | MØTRIK M8 | NUT |
| A-14 | 1 | 442780 | KNAP | BUTTON |
| A-15 | 1 | 442781 | FJEDER | SPRING |
| A-16 | 1 | 442782 | SKÆRM ØVRE | UPPER COVER |
| A-17 | 1 | 442783 | LÅSESKIVE | FIXED PLATE |
| A-18 | 1 | 442784 | SKRUE | SCREW |
| A-19 | 1 | 442785 | HOLDER | TRIGGER HOLDER |
| A-20 | 1 | 442786 | PLADE | PLATE |
| A-21 | 1 | 442787 | STIFT | PIN |
| A-22 | 1 | 442788 | FJEDER | SPRING |
| A-23 | 1 | 442789 | GLIDEPLADE | SLIDING BLOCK |
| A-24 | 2 | 442790 | SKRUE ST4,2X15 | SCREW |
| A-25 | 1 | 442791 | BØJLE | PLATE |
| A-26 | 1 | 442792 | SKÆRM NEDRE | LOWER COVER |
| A-27 | 2 | 442793 | SKRUE | SCREW |
| A-28 | 3 | 442794 | SKRUE | SCREW |
| A-29 | 1 | 442795 | SKRUE 4X15 | SCREW |
| A-30 | 1 | 442796 | FJEDER | SPRING |
| A-31 | 1 | 436618 | KABEL | CABLE |
| A-32 | 1 | 442797 | KABLINGSPLADE | CABLE BASE |
| A-33 | 1 | 442798 | KABELHOLDER | CABLE HOLDER |
| A-34 | 1 | 436614 | PLASTHÅNDTAG | PLASTIC DECORATION |
| B-1 | 1 | 442799 | MOTOR | POWER HEAD |
| B-2 | 3 | 442800 | MØTRIK | NUT |
| B-3 | 1 | 436609 | BLÆSEHJUL | FAN |
| B-4 | 1 | 442132 | KNIV 42CM | BLADE |
| B-5 | 1 | 436611 | SKIVE FOR KNIV | BLADE WASHER |
| B-6 | 1 | 436612 | KNIVBOLT | BLADE BOLT |
| B-7 | 4 | 442801 | SKRUE | SCREW |
| B-8 | 2 | 442802 | NØGLE | KEY |
| C-1 | 2 | 442803 | SÆTBOLT M6X10 | BOLT |
| C-2 | 1 | 442804 | HØJDEJUSTERING PLADE | HEIGHT ADJUSTMENT PLATE |
| C-3 | 2 | 442805 | LÅSEMØTRIK M6 | NUT |
| C-4 | 1 | 442806 | STYRHOLDER HØJRE | RIGHT BRACKET |
| C-5 | 4 | 442778 | BOLT M8X15 | BOLT |
| C-6 | 4 | 442779 | MØTRIK M8 | NUT |
| C-7 | 1 | 442807 | KLIPPESKJOLD | DECK |
| C-8 | 1 | 442808 | BIOPLUG | MULCHING PLUG |

| POS | QTY | PARTNUMBER | BESKRIVELSE | DESCRIPTION |
|------|-----|------------|----------------------|----------------------------------|
| C-9 | 1 | 442809 | KRAVE | CABLE HOLDER |
| C-10 | 1 | 442810 | STYRHOLDER VENSTRE | LEFT BRACKET |
| C-11 | 2 | 442704 | LÅSERING | CIRCLIP FOR SHAFT |
| C-12 | 1 | 442811 | UDKASTERKLAP | REAR COVER |
| C-13 | 1 | 442812 | FJEDER | REAR COVER SPRING |
| C-14 | 1 | 442813 | AKSEL | REAR COVER SHAFT |
| C-15 | 1 | 442814 | FRONT HÅNDTAG | FRONT PLASTIC FACE HANDLE |
| C-16 | 4 | 442815 | SKRUE ST4.2X9 | SCREW |
| D-1 | 1 | 442816 | HÅNDTAG | HEIGHT ADJUSTMENT HANDLE |
| D-2 | 1 | 442817 | BAGAKSEL | REAR WHEEL SHAFT ASSY |
| D-3 | 4 | 442818 | FJEDERSKIVE | SPRING WASHER |
| D-4 | 4 | 442819 | HJULLEJE | BEARING |
| D-5 | 2 | 442820 | HJUL 7" | "7"" WHEEL " |
| D-6 | 4 | 442821 | MØTRIK M8 | NUT |
| D-7 | 2 | 442822 | HJULKAPSEL 7" | "7"" WHEEL COVER" |
| D-8 | 1 | 442823 | KRAVE | SHAFT SLEEVE |
| D-9 | 4 | 442824 | BOLT M5X16 | BOLT |
| D-10 | 1 | 442825 | KRAVE | #/T |
| D-11 | 1 | 442826 | FORAKSEL | FRONT WHEEL SHAFT |
| D-12 | 4 | 442827 | LEJE | SHAFT SLEEVE |
| D-13 | 2 | 442828 | FORHJUL | "6"" WHEEL" |
| D-14 | 2 | 442829 | HJULKAPSEL 6" | "6"" WHEEL COVER" |
| D-15 | 2 | 442830 | BOLT M6X12 | BOLT |
| D-16 | 2 | 442805 | LÅSEMØTRIK M6 | NUT |
| D-17 | 1 | 442831 | SKIVE | PLAT WASHER |
| D-18 | 2 | 442832 | PIN | SPLIT PIN |
| D-19 | 1 | 442833 | STANG HØJDEJUSTERING | HEIGHT ADJUSTMENT CONNECTING ROD |
| D-20 | 2 | 442834 | AFSTANDBØS | SHAFT SLEEVE |
| E-1 | 1 | 442835 | BØJLE | METAL BRACKET |
| E-2 | 4 | 442836 | SKIVE 5X32X1,2 | FLAT WASHER |
| E-3 | 4 | 442815 | SKRUE ST4.2X9 | SCREW |
| E-4 | 1 | 442837 | PLADE | COVER PLATE |
| E-5 | 1 | 442838 | OPSAMLER TOP | PLASTIC COVER |
| E-6 | 1 | 439385 | OPSAMLER POSE | FABRIC BAG |
| E-7 | 1 | 450001 | OPSAMLERKASSE KPL. | GRASS CATCHER ASSY |



| POS | QTY | PARTNUMBER | BESKRIVELSE | DESCRIPTION |
|-----|-----|------------|------------------------------|-----------------------------|
| 1 | 1 | 443571 | RUDE | WINDOW |
| 2 | 1 | 443572 | BATTERI SKÆRMPLADE | BATTERY COVER PLATE |
| 3 | 2 | 443573 | SKRUE | SCREW |
| 4 | 4 | 442639 | SKRUE | SCREW |
| 5 | 2 | 443574 | HÆNGSEL | WHIRLING ARM |
| 6 | 2 | 442754 | SKRUE ST4.2X13 | SCREW |
| 7 | 1 | 443575 | HØJRE BESKYTTELSEPLADE | RIGHT GUARD BOARD |
| 8 | 1 | 443576 | HØJRE SKJOLD | RIGHT COVER |
| 9 | 8 | 443577 | SKRUE | SCREW |
| 10 | 1 | 443578 | STYRBOKS | MACHINE CONTROLLER |
| 11 | 1 | 443579 | VENSTRE SKJOLD | LEFT COVER |
| 12 | 7 | 442801 | SKRUE | SCREW |
| 13 | 1 | 443580 | VENSTRE BESKYTTELSESPLEDE | LEFT GUARD BOARD |
| 14 | 17 | 443581 | SKRUE | SCREW |
| 15 | 2 | 443582 | BATTERIHOLDER | BATTERY BOX HOLDER |
| 16 | 2 | 443583 | STIFT | CLAMP PIN |
| 17 | 2 | 443584 | FJEDER | SPRING |
| 18 | 2 | 443585 | BATTERILÅS | BATTERY LOCKER |
| 19 | 2 | 442802 | NØGLE | KEY |
| 20 | 1 | 443586 | BATTERIKASSE | BATTERY BOX |
| 21 | 2 | 443587 | GLIDEBØS | SLIDING BLOCK |
| 22 | 2 | 442638 | KONTAKT | SWITCH |
| 23 | 1 | 442691 | MIKRO KONTAKT | MICRO SWITCH |
| 24 | 1 | 443588 | KONTAKTPLADE | SWITCH PRESSING PLATE |
| 25 | 14 | 443589 | SKRUE | SCREW |
| 26 | 2 | 443590 | MAGNET | MAGNET |
| 27 | 1 | 443591 | MAGNETPLADE | MAGNET PRESSING PLATE |
| 28 | 4 | 443592 | GLIDEBØS | SLIDE BUSHING |
| 29 | 4 | 443593 | FJEDER | SPRING |
| 30 | 1 | 443594 | LEDNINGSNET | WIRE |
| 31 | 2 | 443595 | FORBINDELSESPLEDE | CONNECTOR PRESSING PLATE |
| 32 | 2 | 443596 | LEDNINGSKLEMME | WIRE CLAMP |
| 33 | 1 | 443597 | SKJOLD | COVER |
| 34 | 4 | 443598 | MØTRIK | NUT |
| 35 | 1 | 443599 | MOTOR | MOTOR |
| 36 | 1 | 443600 | KONTAKT | SWITCH |
| 37 | 1 | 443601 | LEDNING | WIRE |
| 38 | 1 | 443602 | LEDNINGSHOLDER | WIRE SHEATH |
| 39 | 1 | 443603 | LEDNINGSBØS | WIRE SHEATH |
| 40 | 1 | 443604 | MAGNET | WIRE SHEATH |
| 41 | 3 | 443605 | BOLT | BOLT |
| 42 | 1 | 443606 | MOTOR BESLAG | MOTOR BASE |
| 43 | 4 | 443607 | SKRUE | SCREW |