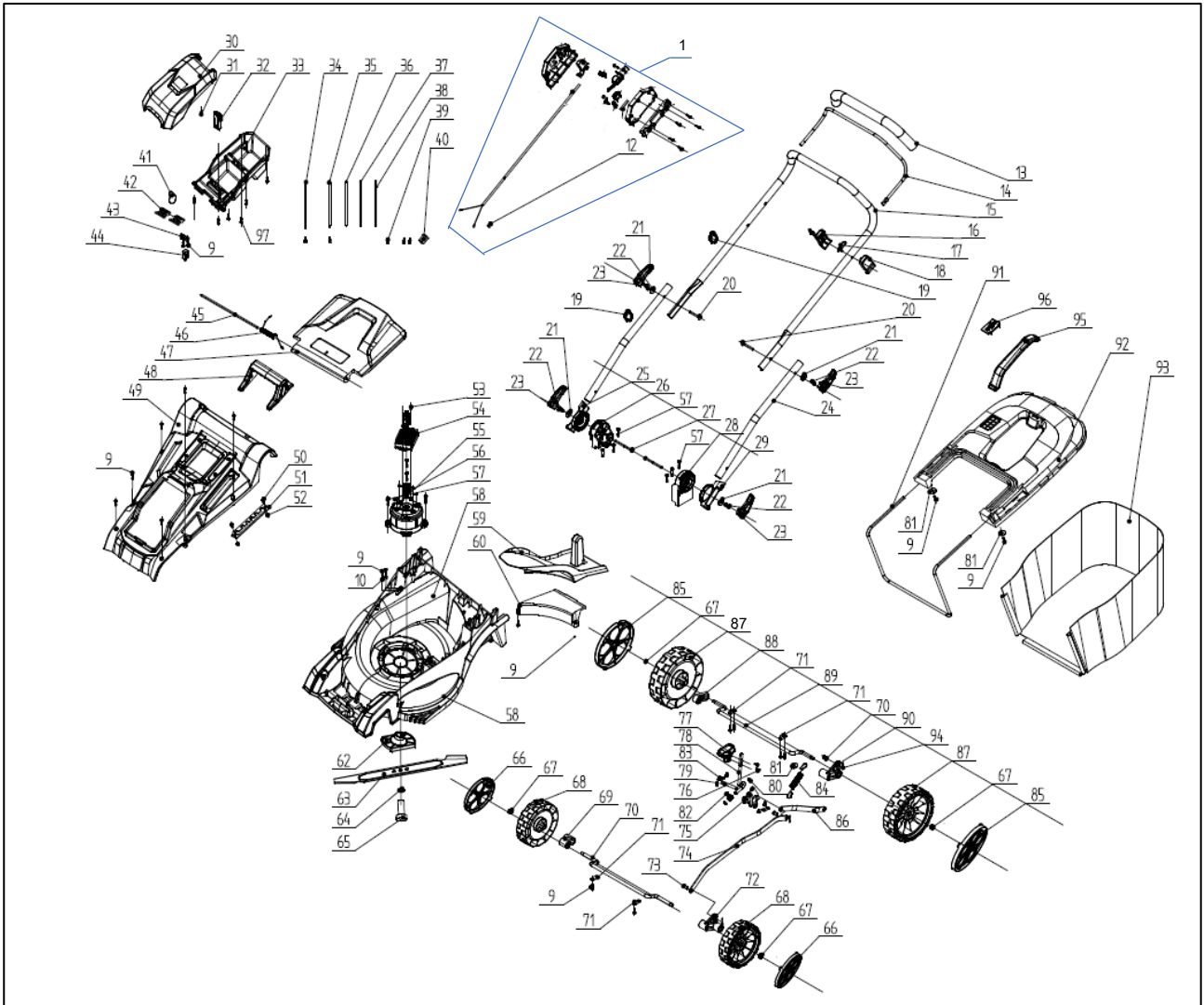


Model: LMX2037

Part number: 90063272

Year: 2022



POS	QTY	PARTNUMBER	BESKRIVELSE	DESCRIPTION
1	1	448782	KONTROLBOKS	SWITCH BOX
9	40	448526	SKRUE	INNER PLUM PAN HEAD SELF - TAPPING SCREW
10	1	450054	KABELKLEMME	THE CABLE CLAMP
12	1	448783	LEDNING	3-HOLE FEMALE TERMINAL SLEEVE
13	1	448784	GUMMIGRIP	RUBBER HOSE
14	1	448785	BØJLE FOR STOP	STEEL WIRE TRIGGER
15	1	448786	ØVERSTE STYR	UP PUSH ROD
16	1	448787	UDLØSER	TRIGGER SET
17	1	448788	FJEDER	RESET TORSION SPRING
18	1	448789	DÆKSEL	COVER OF TRIGGER SEAT
19	2	448775	KABELKLEMME	PLY-YARN DRILL
20	2	448777	BOLT	SQUARE NECK BOLT
21	4	448767	PAKNING	QUICK MOUNTING SPANNER GASKET
22	4	448765	MØTRIK	QUICK MOUNTING WRENCH NUT
23	4	448766	HÅNDTAG QUICK RELEASE	QUICK MOUNTING WRENCH
24	2	448790	NEDERSTE STYR	DOWN PUSH ROD
25	1	448768	STYR BESLAG HØJRE	TURN BRACKET COVER RIGHT
26	1	448769	DREJEBESLAG HØJRE	RIGHT TURN BRACKET
27	2	448770	BOLT	HEXAGON BOLT
28	1	448771	DREJEBESLAG VENSTRE	LEFT ROTATING BRACKET
29	1	448772	STYR BESLAG VENSTRE	TURN BRACKET COVER LEFT
30	1	448791	BATTERI COVER	TRANSPARENT COVER
31	1	448792	SKRUE	CROSS RECESSED PAN HEAD TAPPING SCREWS
32	1	448757	SIKKERHEDSNØGLE	SAFETY KEY
33	1	448793	BATTERI HOLDER	BATTERY PACK SEAT
34	1	448752	LEDNING	INTERNAL WIRE
35	1	448753	LEDNING	INTERNAL WIRE
36	1	448794	LEDNING	INTERNAL WIRE
37	1	448795	LEDNING	INTERNAL WIRE
38	1	448796	LEDNING	INTERNAL WIRE
39	2	448778	TERMINAL	FEMALE TERMINAL
40	1	448797	HUNSTIK	2 HOLE FEMALE TERMINAL SLEEVE
41	1	448798	LEDNINGSHOLDER	HANG LINE
42	2	448799	KONTAKT	SOCKET
43	1	448800	PRINTPLADE	SWITCH BOARD
44	1	448801	MICRO SWITCH	MICRO SWITCH
45	1	448802	BAGAKSEL	BACK COVER SHAFT
46	1	448803	FJEDER	BACK COVER SPRING
47	1	448804	BAGKLAP	BACK COVER
48	1	448805	HÅNDTAG	THE HANDLE OF HOUSING
49	1	448806	HUS	HOUSING
50	2	448807	SKRUE	HEXAGON SOCKET SOCKET SMALL COUNTERSUNK
51	1	448808	GEAR PLADE	GEAR PLATE
52	2	448809	MØTRIK	HEXAGON CHECK NUT

POS	QTY	PARTNUMBER	BESKRIVELSE	DESCRIPTION
53	2	448501	KRYDSPIND	CROSS RECESSED SMALL PAN HEAD TRIPLE SET
54	1	448810	KONTROLPANEL	370 CONTROLLER
55	1	448811	MOTOR	NEW MOTOR
56	4	448812	SILIKONE PUDE	SILICONE PAD
57	10	448813	SKRUE	TAPPING SCREWS FOR PAN HEAD WITH INNER F
58	1	448814	KLIPPESKJOLD	PLASTIC DECK
59	1	448815	BIOPLUG	PLUGGING BLOCK
60	1	448816	COVER	GRASS PALTE
61	1	448817	KONTRAVÆGT	1.5KG COUNTERWEIGHT SANDBAG ASSEMBLY
62	1	448728	KNIVHOLDER	BLADE HOLDER
63	1	448818	KNIV 37CM	BLADE
64	1	448725	SKIVE	WASHER
65	1	448819	KNIVBOLT	BLADE BOLT
66	2	448820	HJULKAPSEL	150 WHEEL COVER
67	4	448821	FLANGEMØTRIK	NON-METALLIC INSERT FLANGE NUT
68	2	448822	HJUL	150 WHEEL
69	1	448823	FRONTAKSEL HØJRE	FRONT WHEEL RIGHT BRACKET
70	1	448824	AKSEL	FRONT WHEEL SHAFT
71	4	448708	PLADE	PRESS PLATE
72	1	448825	AKSEL BESLAG VENSTRE	FRONT WHEEL LEFT BRACKET
73	3	448826	FORBINDER	BRACKET CONNECTING SHAFT
74	1	448827	JUSTERARM	FRONT CONNECTING ROD
75	1	448828	BESLAG	CONNECTING ROD BRACKET
76	2	448829	SKRUE	HEXAGON SOCKET STYLE PAN HEAD MACHINE SC
77	1	448830	GEARKNOP	GEAR KNOB
78	1	448831	HÅNDTAG BESLAG	HANDLE BRACKET
79	1	448832	OMLØBER	FULCRUM SHAFT
80	2	448833	LÅSERING	CIRCLIP FOR SHAFT
81	3	448734	PAKNING	GASKET
82	1	448834	FJEDER	RESET TORSION SPRING
83	2	448835	PLADE	FULCRUM SHAFT PRESS PLATE
84	1	448836	FJEDER	BALANCING SPRING
85	2	448837	HJULKAPSEL	180 WHEEL COVER
86	1	448838	STANG	BACK CONNECTING ROD
87	2	448839	HJUL	180 WHEEL
88	1	448840	AKSEL BESLAG HØJRE	RIGHT BRACKET OF BACK WHEEL
89	1	448841	AKSEL	BACK WHEEL SHAFT
90	1	448842	AKSEL BESLAG VENSTRE	LEFT BRACKET OF BACK WHEEL
91	1	448843	GRÆSOPSAMLER STEL	40L GRASS COLLECTION BRACKET
92	1	448844	GRÆSOPSAMLER TOP	COVER OF 40L GRASS COLLECTION BOX
93	1	448845	GRÆSOPSAMLER POSE	40L GRASS COLLECTION BAG

POS	QTY	PARTNUMBER	BESKRIVELSE	DESCRIPTION
94	3	448846	SPLINT	COTTER
95	1	448744	HÅNDTAG FOR GRÆSOPSAMPLER	GRASS COLLECTION BOX HANDLE
96	1	448745	INDIKATOR FOR FYLDT GRÆSOPSAMPLER	THE WIND DOOR PLANK
97	6	448588	SKRUE	INNER PLUM PAN HEAD SELF - TAPPING SCREW