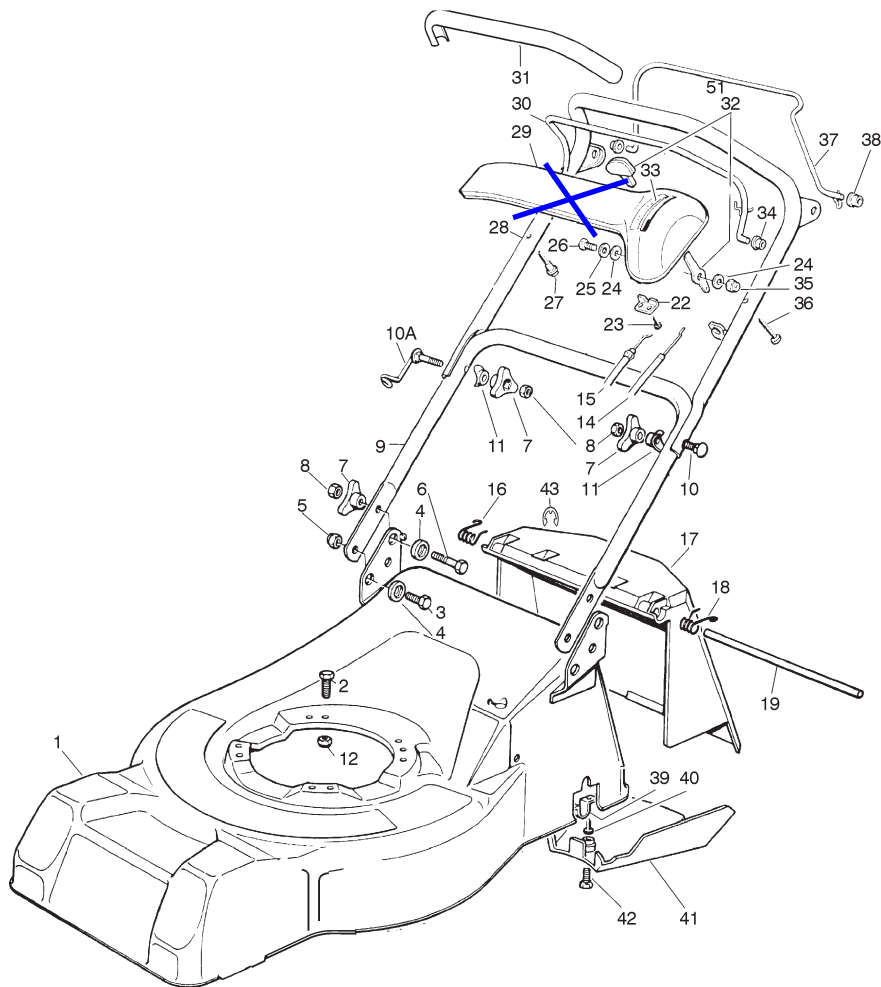
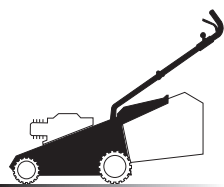
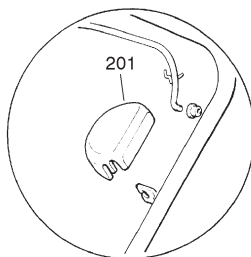
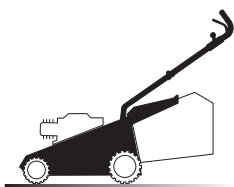


1



Pos	Code	Q.ty	Descrizione	Description	Description	Beschreibung	
1	81001624/ 0	1	CHASSIS ROSSO	DECK RED	CHÂSSIS ROUGE	GEHÄUSE ROTES	
-	81001625/ 0	1	CHASSIS GIALLO	DECK YELLOW	CHÂSSIS JAUNE	GEHÄUSE GELBES	
-	81001626/ 0	1	CHASSIS VERDE	DECK GREEN	CHÂSSIS VERT	GEHÄUSE GRÜNES	
2	12691800/ 0	0/ 1	VITE (M8x60)	SCREW (M8x60)	VIS (M8x60)	SCHRAUBE (M8x60)	
-	12793700/ 0	3/ 2	VITE (M8x30)	SCREW (M8x30)	VIS (M8x30)	SCHRAUBE (M8x30)	
3	12792610/ 0	2	VITE	SCREW	VIS	SCHRAUBE	
4	22041955/ 0	4	BUSSOLA	BUSH	DOUILLE	BUCHSE	
5	12155000/ 0	2	DADO	NUT	ECROU	MUTTER	
6	12793700/ 0	2	VITE (M8x30)	SCREW (M8x30)	VIS (M8x30)	SCHRAUBE (M8x30)	
7	22399900/ 0	4	MANOPOLINA	KNOB	POIGNÉE	GRIF	
8	12293200/ 0	4	DADO	NUT	ECROU	MUTTER	
9	81006512/ 0	1	MANICO, PARTE INFERIORE	HANDLE, LOWER PART	MANCHERON, PARTIE INFÉRIEURE	HOLM, UNTERTEIL	
10	12819201/ 0	1	VITE	SCREW	VIS	SCHRAUBE	
10A	81003801/ 0	1	MOLLA GUIDA	SPRING	RESSORT	FEDER	
11	22680006/ 1	2	RONDELLA	WASHER	RONDELLE	SCHEIBE	
12	12293201/ 0	3/ 2	DADO	NUT	ECROU	MUTTER	
-	12155000/ 0	0/ 1	DADO	NUT	ECROU	MUTTER	
14	81007160/ 0	1	CAVO ACCELERATORE	CABLE, TROTTLE	CABLE, ACCELERATEUR	KABEL, BESCHLEUNIGER	
15	81000631/ 0	1	CAVO FRENO MOTORE	CABLE, THREAD MOTOR BRAKE	CABLE FREIN MOTEUR	KABEL, MOTORBREMSE	(QUANTUM XM)
-	81000625/ 0	1	CAVO FRENO MOTORE	CABLE, THREAD MOTOR BRAKE	CABLE FREIN MOTEUR	KABEL, MOTORBREMSE	(SPRINT 375/ QUATTRO)
-	81000629/ 1	1	CAVO FRENO MOTORE	CABLE, THREAD MOTOR BRAKE	CABLE FREIN MOTEUR	KABEL, MOTORBREMSE	(TECUMSEH)
16	22450410/ 1	1	MOLLA DX	RIGHT SPRING	RESSORT DROITE	RECHTE FEDER	
17	22600028/ 4	1	PARASASSI	STONE-GUARD	PARE-PIERRES	PRALLBLECH	
18	22450420/ 1	1	MOLLA SX	LEFT SPRING	RESSORT GAUCHE	LINKE FEDER	
19	22517906/ 1	1	PERNO	PIN	PIVOT	BOLZEN	

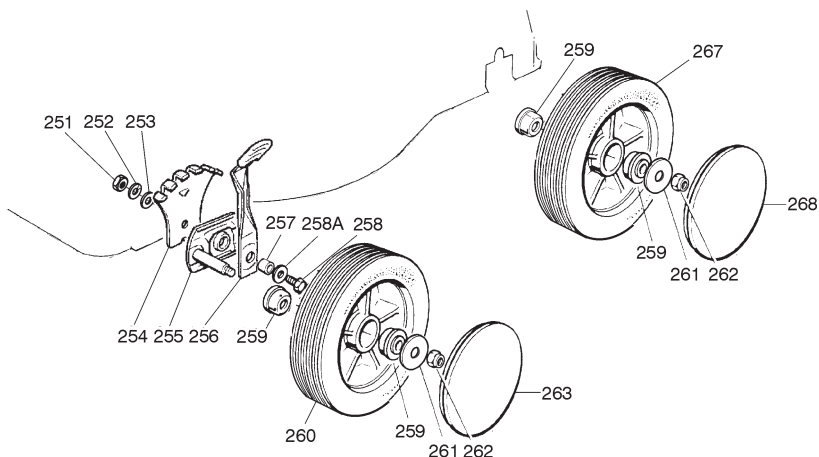
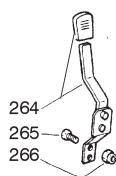
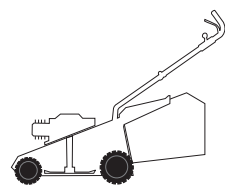
22	22981467/0	1	PIASTRINA	PLATE	PLAQUETTE	PLATTE	
23	12735105/0	2	VITE	SCREW	VIS	SCHRAUBE	
24	12523040/0	2	RONDELLA	WASHER	RONDELLE	SCHEIBE	
25	12530060/0	1	RONDELLA ELASTICA	ELASTIC WASHER	RONDELLE ELASTIQUE	ELASTISCHE SCHEIBE	
26	12791500/0	1	VITE	SCREW	VIS	SCHRAUBE	
27	22943006/0	1	VITE	SCREW	VIS	SCHRAUBE	
28	81007024/0	1	MANICO, PARTE SUPERIORE	HANDLE, UPPER PART	MANCHERON, PARTIE SUPERIEURE	HOLM, OBERTEIL	
29	22120152/0	1	CRUSCOTTO GIALLO	DASH BOARD YELLOW	CONSOLE JAUNE	KONSOLE GELBE	
-	22120154/0	1	CRUSCOTTO ROSSO	DASH BOARD RED	CONSOLE ROUGE	KONSOLE ROTE	
-	22120158/0	1	CRUSCOTTO NERO	DASH BOARD BLACK	CONSOLE NOIRE	KONSOLE SCHWARZE	
30	81003291/2	1	LEVA FRENO MOTORE	LEVER, MOTOR BRAKE	LEVIER FREIN MOTEUR	HEBEL, MOTORBREMSE	
31	22291052/0	1	IMPUGNATURA MANICO GIALLA	HANDGRIP YELLOW	POIGNÉE JAUNE	HANDGRIFF GELBER	
-	22291051/0	1	IMPUGNATURA MANICO ROSSA	HANDGRIP RED	POIGNÉE ROUGE	HANDGRIFF RÖTER	
-	22291050/0	1	IMPUGNATURA MANICO NERA	HANDGRIP BLACK	POIGNÉE NOIRE	HANDGRIFF SCHWARZER	
32	81007280/2	1	LEVA, ACCELERATORE	LEVER, THROTTLE	LEVIER, ACCELERATEUR	HEBEL, BESHLEUNIGER	
33	14356744/0	1	ETICHETTA	LABEL	ETIQUETTE	ETIKETTE	(B&S)
-	14356743/0	1	ETICHETTA	LABEL	ETIQUETTE	ETIKETTE	(TECUMSEH - HONDA)
34	22041966/0	1	BUSSOLA	BUSH	DOUILLE	BUCHSE	
35	12154510/0	1	DADO	NUT	ECROU	MUTTER	
36	12728460/0	1	VITE	SCREW	VIS	SCHRAUBE	
37	81003288/1	1	LEVA TRAZIONE	LEVER, DRIVING	LEVIER TRACTION	HEBEL, ANTRIEB	
38	22041965/0	2	BUSSOLA	BUSH	DOUILLE	BUCHSE	
39	22545152/0	2	PIASTRINA	PLATE	PLAQUETTE	PLATTE	
40	12731350/0	4	VITE	SCREW	VIS	SCHRAUBE	
41	22060145/0	1	CARTER CINGHIA	PROTECTION, BELT	PROTECTION COURROIRE	SCHUTZ, RIEMEN	
42	12727791/0	1	VITE	SCREW	VIS	SCHRAUBE	
43	12000930/0	1	ANELLO ELASTICO	SNAP RING	ANNEAU RESSORT	SPRENGRING	
-	81008614/1		DOTAZIONE VITERIA	OUTFIT, SCREWS	DOTATION VISSERIE	SATZ, SCHRAUBEN	
-	81008609/0		DOTAZIONE VITERIA CRUSCOTTO	OUTFIT, DASH-BOARD SCREWS	DOTATION VISSERIE CONSOLLE	SATZ, KONSOLE SCHRAUBEN	

1

VARIANTE REGIME FISSO - FIXED SPEED VARIANTS - VARIANTES POUR MODÈLE À REGIME FIXE - ÄNDERUNGEN FÜR MODELLE MIT FIXIERTER DREHZAHL

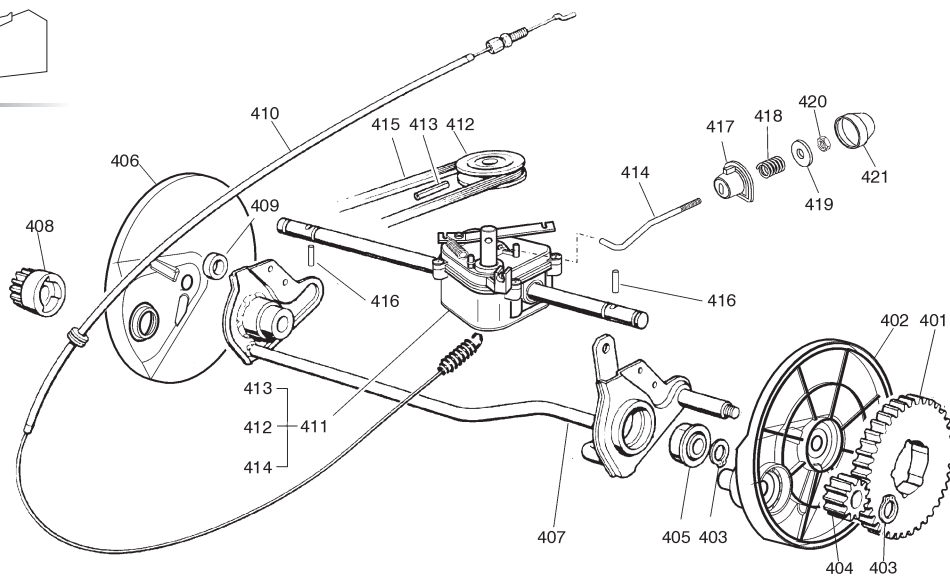
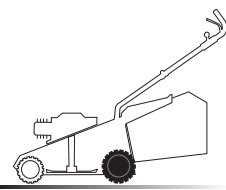
Pos	Code	Q.ty	Descrizione	Description	Description	Beschreibung
201	22601000/ 0	-	PROTEZIONE	PROTECTION	PROTECTION	SCHUTZ

2

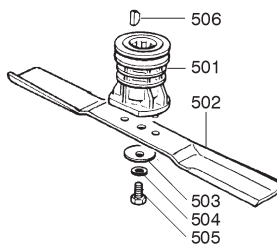
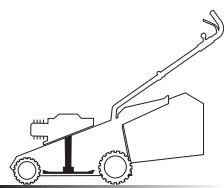


Pos	Code	Q.ty	Descrizione	Description	Description	Beschreibung
251	12293200/ 0	2	DADO	NUT	ECROU	MUTTER
252	12583500/ 0	2	GROWER	GROWER	GROWER	FEDERRING
253	12523070/ 0	2	RONDELLA	WASHER	RONDELLE	SCHEIBE
254	22735547/ 0	2	SETTORE REGOLAZIONE ALTEZZA	SECTOR, HEIGHT ADJUSTMENT	SECTEUR REGLAGE HAUTEUR	SEKTOR, HÖHEVERSTELLUNG
255	81005082/ 0	2	SUPPORTO RUOTA	SUPPORT, WHEEL	SUPPORT ROUE	HALTER, RAD
256	81003285/ 1	2	LEVA REGOLAZIONE ALTEZZA	LEVER, HEIGHT ADJUSTMENT	LEVIER, REGLAGE HAUTEUR	HEBEL, HÖHEVERSTELLUNG
257	22171001/ 0	2	DISTANZIALE	SPACER	ENTRETOISE	DISTANZRING
258	12793701/ 0	2	VITE	SCREW	VIS	SCHRAUBE
258A	12521350/ 0	2	RONDELLA	WASHER	RONDELLE	SCHEIBE
259	22034508/ 0	8	BUSSOLA	BUSH	DOUILLE	BUCHSE
260	81007326/ 0	4	RUOTA Ø 170	WHEEL Ø 170	ROUE Ø 170	RAD Ø 170
261	12523060/ 0	4	RONDELLA	WASHER	RONDELLE	SCHEIBE
262	12155000/ 0	4	DADO	NUT	ECROU	MUTTER
263	22110262/ 0	2	COPRIMOZZO BIANCO	HUB CAP WHITE	COUVRE-MOYEU BLANC	RADKAPPE WEIßE
-	22110263/ 0	2	COPRIMOZZO GIALLO	HUB CAP YELLOW	COUVRE-MOYEU JAUNE	RADKAPPE GELBE
-	22110264/ 0	2	COPRIMOZZO ROSSO	HUB CAP RED	COUVRE-MOYEU ROUGE	RADKAPPE ROTE
264	81003279/ 2	1	LEVA REGOLAZIONE ALTEZZA	LEVER, HEIGHT ADJUSTMENT	LEVIER, REGLAGE HAUTEUR	HEBEL, HÖHEVERSTELLUNG
265	12789000/ 0	2	VITE	SCREW	VIS	SCHRAUBE
266	12154330/ 0	2	DADO	NUT	ECROU	MUTTER
267	81007328/ 0	2	RUOTA Ø 210	WHEEL Ø 210	ROUE Ø 210	RAD Ø 210
268	22110265/ 0	2	COPRIMOZZO BIANCO	HUB CAP WHITE	COUVRE-MOYEU BLANC	RADKAPPE WEIßE
-	22110266/ 0	2	COPRIMOZZO GIALLO	HUB CAP YELLOW	COUVRE-MOYEU JAUNE	RADKAPPE GELBE
-	22110267/ 0	2	COPRIMOZZO ROSSO	HUB CAP RED	COUVRE-MOYEU ROUGE	RADKAPPE ROTE

3

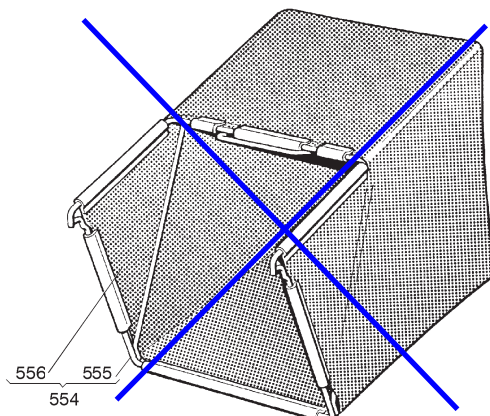
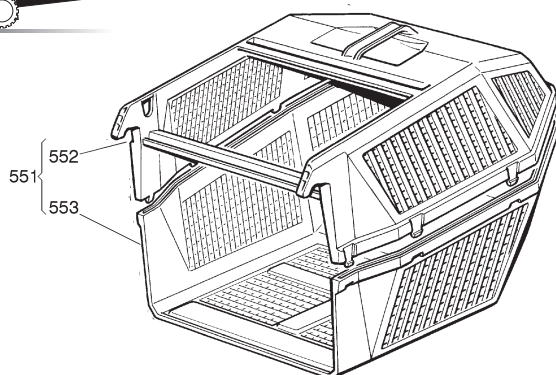
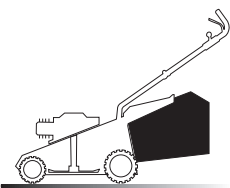


Pos	Code	Q.ty	Descrizione	Description	Description	Beschreibung	
401	22120105/ 1	2	CORONA	RING GEAR	COURONNE	KRANZ	
402	22600092/ 0	1	PROTEZIONE RUOTE DESTRA	PROTECTION, RIGHT WHEEL	PROTECTION ROUE DROITE	SCHÜTZ, RECHTES RÄDER	
403	12608600/ 0	4	SEEGER	SEEGER	SEEGER	SEEGER	
404	22570120/ 1	1	PIGNONE SINISTRO	PINION LEFT	PIGNON GAUCHE	RITZEL LINKES	
405	19216035/ 0	2	CUSCINETTO	BEARING	COUSSINET	LAGER	
406	22600093/ 0	1	PROTEZIONE RUOTE SINISTRO	PROTECTION, LEFT WHEEL	PROTECTION ROUE GAUCHE	SCHÜTZ, LINKES RÄDER	
407	81000147/ 0	1	ASSE RUOTE POSTERIORE	AXLE, REAR WHEELS	AXE ROUES ARRIERE	ACHSE, HINTERRAD	
408	22570110/ 1	1	PIGNONE DESTRO	PINION RIGHT	PIGNON DROITE	RITZEL RECHTES	
409	22170800/ 0	1	DISTANZIALE	SPACER	ENTRETOISE	DISTANZRING	
410	81001143/ 0	1	CAVO COMANDO TRAZIONE	CABLE, REAR DRIVE	CÂBLE, COMMANDE TRACTION	KABEL, ANTRIEB	
411	81003060/ 1	1	GRUPPO TRAZIONE (ALLUMINIO)	GEAR BOX (ALUMINIUM)	GROUPE TRACTION (ALUMINIUM)	ANTRIEB (ALUMINIUM)	
-	81003059/ 0	1	GRUPPO TRAZIONE (PLASTICA)	GEAR BOX (PLASTIC)	GROUPE TRACTION (PLASTIQUE)	ANTRIEB (KUNSTSTOFF)	
412	22601904/ 0	1	PULEGGIA	PULLEY	POULIE	RIEMENSCHLEIBE	4 KM/ H
413	12645705/ 0	1	SPINA	PIN	GOUPILLE	STIFT	
414	22033280/ 0	1	ASTA REGOLAZIONE	ADJUSTMENT ROD	TIGE REGLAGE	VERSTELLUNGSTANGE	
415	35063800/ 0	1	CINGHIA Z 27	BELT Z 27	COURROIE Z 27	RIEMEN Z 27	
416	22753000/ 0	2	SPINA	PIN	GOUPILLE	STIFT	
417	22041957/ 0	1	BUSSOLA	BUSH	DOUILLE	BUCHSE	
418	22450063/ 0	1	MOLLA	SPRING	RESSORT	FEDER	
419	22680009/ 0	1	RONDELLA	WASHER	RONDELLE	SCHEIBE	
420	12154510/ 0	1	DADO	NUT	ECROU	MUTTER	
421	22110230/ 0	1	TAPPO	CAP	BOUCHON	GUMMISTOPFEN	

5

Pos	Code	Q.ty	Descrizione	Description	Description	Beschreibung	
501	22465607/ 0	1	MOZZO CON PULEGGIA	HUB WITH PULLEY	MOYEU AVEC POULIE	NABE MIT SCHEIBE	
502	81004365/ 2	1	COLTELLO STANDARD	BLADE STANDARD	LAME STANDARD	MESSER STANDARD	44 cm
503	22160400/ 0	1	DISCO ELASTICO	ELASTIC WASHER	RONDELLE ELASTIQUE	ELASTISCHE SCHEIBE	
504	12523080/ 0	1	RONDELLA	WASHER	RONDELLE	SCHEIBE	
505	12735698/ 0	1	VITE	SCREW	VIS	SCHRAUBE	
506	12139100/ 0	1	LINGUETTA	FEATHER	CLAVETTE	KEIL	

6



Pos	Code	Q.ty	Descrizione	Description	Description	Beschreibung
551	98005000/ 1	1	SACCO, COMPLETO	GRASSCATCHER, COMPLETE	SAC, COMPLETE	SACK, KOMPLETTE
552	22486076/ 0	1	SACCO, PARTE SUPERIORE	GRASS-BOX, UPPER PART	SAC, PARTIE SUPERIEURE	KORB, OBERTEIL
553	22486077/ 0	1	SACCO, PARTE INFERIORE	GRASS-BOX, LOWER PART	SAC, PARTIE INFERIEURE	KORB, UNTERTEIL
554	98004000/ 0	1	SACCO IN TELA, COMPLETO	GRASSCATCHER, CANVASS COMPLETE	SAC EN TOILE, COMPLETE	SACK, KOMPLETTE
555	81000400/ 0	1	TELAIO SACCO	CHASSIS BOX	CHÂSSIS BAC	RAHMEN SACK
556	81002100/ 2	1	SACCO, TELA	BOX, FABRIC	SAC, TOILE	SACK, TUCK