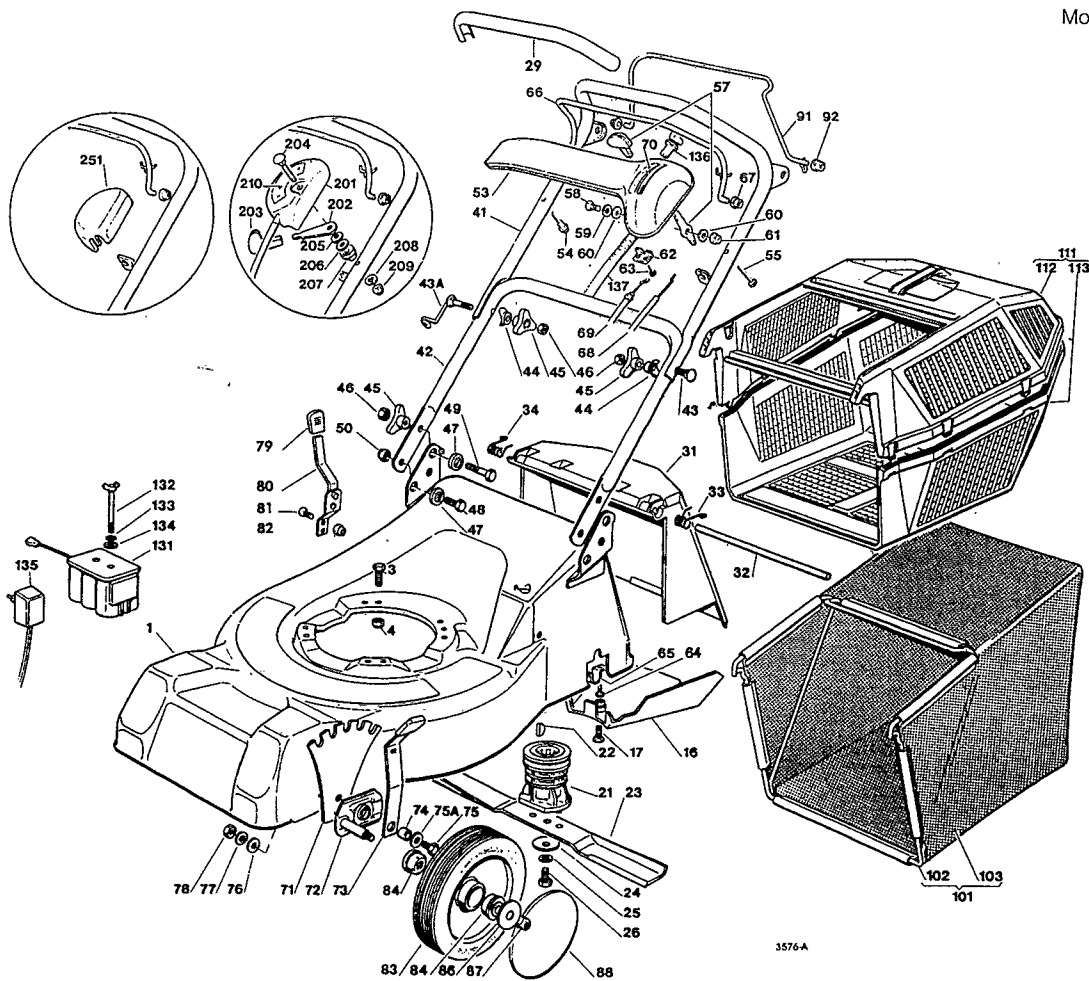


VISTE ESPLOSE  
EXPLODED VIEWS

VUES ECLATEES *Rapid 46*  
SPRENGZEICHNUNGEN

NG 464 TR  
NG 464 TR-E 001

Mod. 1997



0Pos. Nr.	Codice Kodex Code	Descrizione	Description	Description	Beschreibung	Q.tà Q.ty Q.tè Menge
1	81001624/0	CHASSIS ROSSO	RED DECK	CHÂSSIS ROUGE	ROTES GEHÄUSE	1
—	81001625/0	CHASSIS GIALLO	YELLOW DECK	CHÂSSIS JAUNE	GELBES GEHÄUSE	1
—	81001626/0	CHASSIS VERDE	GREEN DECK	CHÂSSIS VERT	GRÜNES GEHÄUSE	1
3	12793700/0	VITE (M8x30)	SCREW (M8x30)	VIS (M8x30)	SCHRAUBE (M8x30)	3/2
—	12691800/0	VITE (M8x60)	SCREW (M8x60)	VIS (M8x60)	SCHRAUBE (M8x60)	0/1
4	12293201/0	DADO	NUT	ECROU	MUTTER	3/2
—	12155000/0	DADO	NUT	ECROU	MUTTER	0/1
16	22060145/0	CARTER CINGHIA	BELT PROTECTION	PROTECTION COURROIRE	RIEMENSCHUTZ	
17	12727791/0	VITE	SCREW	VIS	SCHRAUBE	1
21	22465607/0	MOZZO CON PULEGGIA	HUB WITH PULLEY	MOYEU AVEC POULIE	NABE MIT SCHEIBE	1
22	12139100/0	LINGUETTA	FEATHER	CLAVETTE	KEIL	1
23	81004365/1	COLTELLO STANDARD	STANDARD BLADE	LAME STANDARD	STANDARD MESSER	1
24	22160400/0	RONDELLA ELASTICA	SPRING WASHER	RONDELLE ELASTIQUE	ELASTISCHE SCHEIBE	1
25	12523080/0	RONDELLA	WASHER	RONDELLE	SCHEIBE	1
26	12735698/0	VITE	SCREW	VIS	SCHRAUBE	1
29	22291050/0	IMPUGNATURA MANICO NERA	BLACK HANDGRIP	POIGNÉE NOIRE	SCHWARZER HANDGRIFF	1
—	22291051/0	IMPUGNATURA MANICO ROSSA	RED HANDGRIP	POIGNÉE ROUGE	RÖTER HANDGRIFF	1
—	22291052/0	IMPUGNATURA MANICO GIALLA	YELLOW HANDGRIP	POIGNÉE JAUNE	GELBER HANDGRIFF	1
31	22600028/4	PARASASSI	STONE-GUARD	PAIRE-PIERRES	PRALLBLECH	1
32	22517906/0	PERNO	PIN	PIVOT	BOLZEN	1
33	22450420/1	MOLLA SX	LEFT SPRING	RESSORT GAUCHE	LINKE FEDER	1
34	22450410/1	MOLLA DX	RIGHT SPRING	RESSORT DROITE	RECHTE FEDER	1
41	81007024/0	PARTE SUPERIORE MANICO	UPPER HANDLE	PARTIE SUP. MANCHERON	OBERHOLM	1
42	81006512/0	PARTE INFERIORE MANICO	LOWER HANDLE	PARTIE INF. MANCHERON	UNTERHOLM	1
43	12819201/0	VITE	SCREW	VIS	SCHRAUBE	2
43A	81003801/0	MOLLA GUIDA	SPRING	RESSORT	FEDER	1
44	22680006/1	RONDELLA	WASHER	RONDELLE	SCHEIBE	2
45	22399900/0	MANOPOLINA	KNOB	POIGNÉE	GRIFF	4
46	12293200/0	DADO	NUT	ECROU	MUTTER	4
47	22041955/0	BUSSOLA	BUSH	DOUILLE	BUCHSE	4
48	12792610/0	VITE	SCREW	VIS	SCHRAUBE	2
49	12793700/0	VITE	SCREW	VIS	SCHRAUBE	2

Pos. Nr.	Codice Kodex Code	Descrizione	Description	Description	Beschreibung	Q.tà Q.ty Q.tè Menge
50	12155000/0	DADO	NUT	ECROU	MUTTER	2
53	22120154/0	CRUSCOTTO ROSSO	RED DASH BOARD	CONSOLE ROUGE	ROTE KONSOLE	1
—	22120152/0	CRUSCOTTO GIALLO	YELLOW DASH BOARD	CONSOLE JAUNE	GELBE KONSOLE	1
—	22120158/0	CRUSCOTTO NERO	BLACK DASH BOARD	CONSOLE NOIRE	SCHWARZE KONSOLE	1
54	22943006/0	VITE	SCREW	VIS	SCHRAUBE	1
55	12728460/0	VITE	SCREW	VIS	SCHRAUBE	1
57	81007280/1	ASS. LEVA + MANOPOLINA	LEVER + KNOB ASS. Y	ENS. LEVIER + POIGNÉE	HEBEL + GRIFF SATZ	1
58	12791500/0	VITE	SCREW	VIS	SCHRAUBE	1
59	12530060/0	RONDELLA ELASTICA	SPRING WASHER	RONDELLE ELASTIQUE	ELASTISCHE SCHEIBE	1
60	12523040/0	RONDELLA	WASHER	RONDELLE	SCHEIBE	2
61	12154510/0	DADO	NUT	ECROU	MUTTER	1
62	22981467/0	PIASTRINA	PLAQUE	PLAQUETTE	PLATTE	1
63	12735105/0	VITE	SCREW	VIS	SCHRAUBE	2
64	12731350/0	VITE	SCREW	VIS	SCHRAUBE	2
65	22545152/0	PIASTRINA	PLAQUE	PLAQUETTE	PLATTE	2
66	81003291/2	LEVA FRENO MOTORE	BRAKE LEVER	LEVIER FREIN MOTEUR	MOTORBREMSEHEBEL	1
67	22041966/0	BOCCOLA	BUSH	DOUILLE	BUCHSE	2
68	81007160/0	CAVO ACCELERATORE	THROTTLE CABLE	CABLE ACCELERATEUR	BESCHLEUNIGER KABEL	1
69	81000623/1	CAVO FRENO MOTORE (TECUMSEH)	THREAD MOTOR BRAKE (TECUMSEH)	CABLE FREIN MOTEUR (TECUMSEH)	MOTORBREMSEKABEL (TECUMSEH)	1
—	81000631/0	CAVO FRENO MOTORE (QUANTUM XM)	THREAD MOTOR BRAKE (QUANTUM XM)	CABLE FREIN MOTEUR (QUANTUM XM)	MOTORBREMSEKABEL (QUANTUM XM)	1
—	81000625/0	CAVO FRENO MOTORE (SPRINT 375/QUATTRO)	THREAD MOTOR BRAKE (SPRINT 375/QUATTRO)	CABLE FREIN MOTEUR (SPRINT 375/QUATTRO)	MOTORBREMSEKABEL (SPRINT 375/QUATTRO)	1
70	14356743/0	ETICHETTA (TECUMSEH-HONDA)	LABEL (TECUMSEH-HONDA)	ETIQUETTE (TECUMSEH-HONDA)	ETIKETTE (TECUMSEH-HONDA)	1
—	14356744/0	ETICHETTA (B&S)	LABEL (B&S)	ETIQUETTE (B&S)	ETIKETTE (B&S)	1
71	22735537/0	SETTORE REGOLAZIONE	ADJUSTMENT SECTOR	SECTEUR REGLAGE	VERSTELLUNGSEKTOR	2
72	81005082/0	SUPP. RUOTA	WHEEL SUPPORT	SUPPORT ROUE	RADHALTER	2
73	81003273/0	LEVA REGOLAZIONE	ADJUSTMENT LEVER	LEVIER REGLAGE	VERSTELLUNGHEBEL	2
74	22171001/0	DISTANZIALE	SPACER	ENTRETOISE	DISTANZRING	2
75	12793701/0	VITE	SCREW	VIS	SCHRAUBE	2
75A	12521350/0	RONDELLA	WASHER	RONDELLE	SCHEIBE	2
76	12523070/0	RONDELLA	WASHER	RONDELLE	SCHEIBE	2
77	12583500/0	GROWER	GROWER	GROWER	FEDERRING	2
78	12293200/0	DADO	NUT	ECROU	MUTTER	2
79	22397000/0	MANOPOLA	KNOB	POIGNÉE	GRIFF	1
80	81003279/1	LEVA REGOLAZIONE	ADJUSTMENT LEVER	LEVIER REGLAGE	VERSTELLUNGHEBEL	1
81	12789000/0	VITE	SCREW	VIS	SCHRAUBE	2
82	12154330/0	DADO	NUT	ECROU	MUTTER	2
83	81007311/0	RUOTA Ø 170	WHEEL Ø 170	ROUE Ø 170	RAD Ø 170	2
84	22034508/0	BOCCOLA	BUSH	DOUILLE	BUCHSE	4
86	12523060/0	RONDELLA	WASHER	RONDELLE	SCHEIBE	2
87	12155000/0	DADO	NUT	ECROU	MUTTER	2
88	22110262/0	COPRIMOZZO BIANCO	WHITE HUB CAP	COUVRE-MOYEU BLANC	WEIßE RADKAPPE	2
—	22110263/0	COPRIMOZZO GIALLO	YELLOW HUB CAP	COUVRE-MOYEU JAUNE	GELBE RADKAPPE	2
—	22110264/0	COPRIMOZZO ROSSO	RED HUB CAP	COUVRE-MOYEU ROUGE	ROTE RADKAPPE	2
91	81003288/1	LEVA TRAZIONE	DRIVING LEVER	LEVIER TRACTION	ANTRIEBHEBEL	1
92	22041965/0	BOCCOLA	BUSH	DOUILLE	BUCHSE	2
101	98004000/0	ASS. SACCO IN TELA	CANVASS GRASSCATCHER ASS Y	ENSEMBLE SAC EN TOILE	KOMPLETTER SACK	1
102	81006408/0	TELAIO	CHASSIS	CHASSIS	RAHMEN	1
103	81002105/1	TELA SACCO	FABRIC BOX	TOILE POUR SAC	TUCK FÜR SACK	1
111	98005000/1	SACCO COMPLETO	COMPLETE GRASS-BOX	SAC COMPLET	KOMPLETTER KORB	1
112	22486076/0	PARTE SUP. SACCO	UPPER GRASS-BOX	PARTIE SUP. SAC	OBERKORB	1
113	22486077/0	PARTE INF. SACCO	LOWER GRASS-BOX	PARTIE INF. SAC	UNTERKORB	1

		VARIANTI PER AVVIAMENTO ELETTRICO	PARTS FOR ELECTRIC START	COMPOSANTS POUR DÉMARRAGE ÉLECTRIQUE	ELEKTROSTART BESTANDTEILE	
131*	18120050/0	BATTERIA	BATTERY	BATTERIE	BATTERIE	1
132	22517855/0	PERNO	PIN	PIVOT	BOLZEN	2
133	12523000/0	RONDELLA	WASHER	RONDELLE	SCHEIBE	2
134	12540020/0	RONDELLA	WASHER	RONDELLE	SCHEIBE	2
135*	18204110/0	CARICA BATTERIA	BATTERY CHARGER	CHARGEUR DE BATTERIE	LADGERÄT	1
136	18450050/0	INTERRUTTORE	SWITCH	INTERRUPTEUR	SCHALTER	1
137	18204190/2	CAVO AVVIAMENTO	START CABLE	CABLE DEMARRAGE	STARTKABEL	1

		VARIANTE ACCELERATORE	THROTTLE VARIANTS	VARIANTES COMMANDE D'ACCELERATION	ÄNDERUNGEN AUF GASHEBEL	
201	81007080/0	ASSIEME ACCELERATORE	TROTTLE UNIT ASS.Y	ENS. ACCELERATEUR	BESCHLEUNIGER SATZ	1
202	22319302/0	LEVA	LEVER	LEVIER	HEBEL	1
203	22394641/0	MANOPOLA	KNOB	POIGNÉE	GRIFF	1
204	12815000/0	VITE	SCREW	VIS	SCHRAUBE	1
205	12508100/0	RONDELLA ELASTICA	SPRING WASHER	RONDELLE ELASTIQUE	ELASTISCHE SCHEIBE	1
206	12521360/0	RONDELLA	WASHER	RONDELLE	SCHEIBE	1
207	22171005/0	DISTANZIALE	SPACER	ENTRETOISE	DISTANZRING	1
208	12581500/0	GROWER	GROWER	GROWER	FEDERRING	1
209	12291000/0	DADO	NUT	ECROU	MUTTER	1
210	14356702/0	ETICHETTA (TECUMSEH-HONDA)	LABEL (TECUMSEH-HONDA)	ETIQUETTE (TECUMSEH-HONDA)	ETIKETTE (TECUMSEH-HONDA)	1
—	14356703/0	ETICHETTA (B&S)	LABEL (B&S)	ETIQUETTE (B&S)	ETIKETTE (B&S)	1

		VARIANTE REGIME FISSO	R.P.M. VARIANTS	VARIANTES POUR MODÈLE À REGIME FIXE	ÄNDERUNGEN FÜR MODELLE MIT FIXIERTER DREHZAHL	
251	22601000/0	PROTEZIONE	PROTECTION	PROTECTION	SCHUTZ	1

—	81008614/0	DOTAZIONE VITERIA	SCREWS OUTFIT	DOTATION VISSERIE	SCHRAUBEN SATZ	1
—	81008609/0	DOTAZIONE CRUSCOTTO	DASH-BOARD OUTFIT	DOTATION CONSOLE	KONSOLE SATZ	1

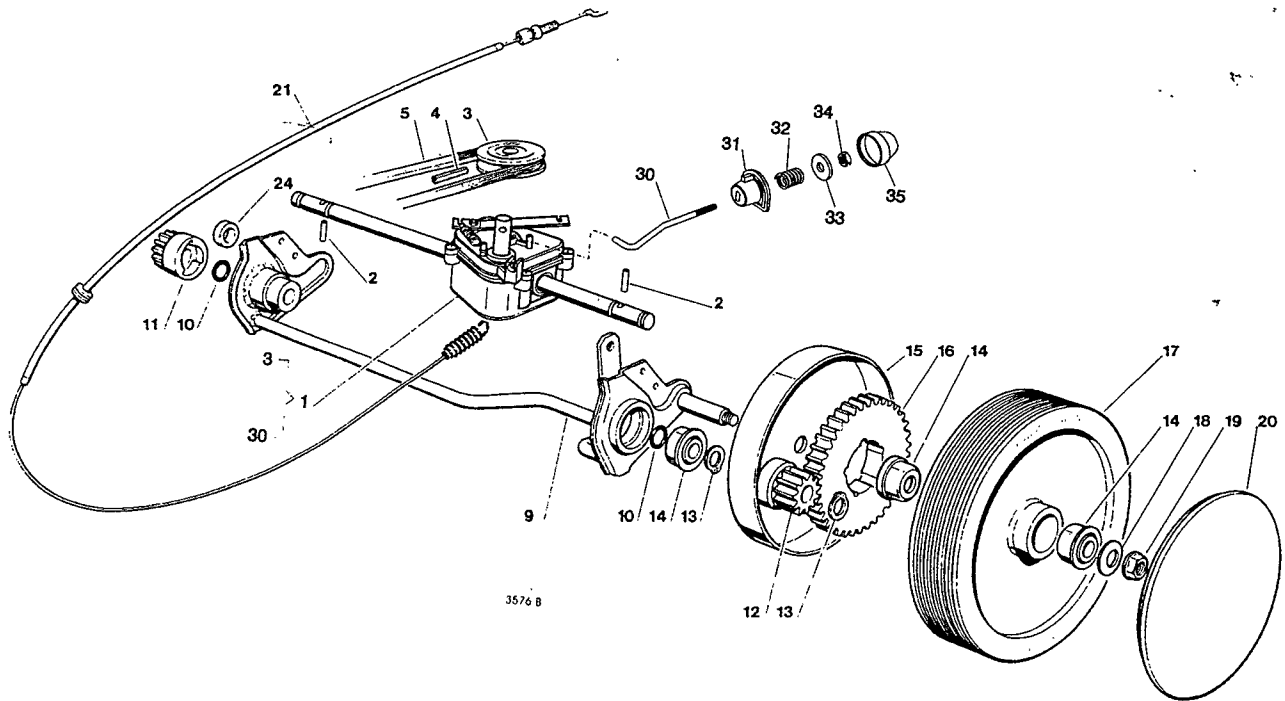
DOVENDO SOSTITUIRE IN GARANZIA LE PARTI CONTRASSEGNAE CON \*-\*, RIVOLGERSI AL COSTRUTTORE DEL MOTORE.  
IF YOU HAVE TO CHANGE THE PIECES INDICATED WITH \*-\*, ON WARRANTY YOU ADDRESS TO AFTER SALES SERVICE OF ENGINE MANUFACTURER.  
SI VOUS DEVEZ SUBSTITUER LES PIECES INDIQUEES AVEC \*-\*, SOUS GARANTIE VOUS DEVEZ VOUS ADRESS AU SERVICE APRES VENTES DE LA MAISON CONSTRUCTRICE DU MOTEUR  
BITTE WENDEN SIE SICH BEI GARANTIEREPARATUREN DER MIT \*-\*, GEKENNZEICHNETEN TEILE AN DIE KUNDENDIENSTSTELLE DES MOTORHERSTELLER.

VISTE ESPLOSE  
EXPLODED VIEWS

VUES ECLATEES *Rapid 46*  
SPRENGZEICHNUNGEN

NG 464 TR  
NG 464 TR-E 002

Mod. 1997



Pos. Nr.	Codice Kodex Code	Descrizione	Description	Description	Beschreibung	Q.tà Q.ty Q.tè Menge
1	81003059/0	ASS. GRUPPO TRAZIONE (PLASTICA)	GEAR BOX ASS.Y (PLASTIC)	ENS. GROUPE TRACTION (PLASTIQUE)	ANTRIEBSATZ (KUNSTSTOFF)	1
—	81003060/0	ASS. GRUPPO TRAZIONE (ALLUMINIO)	GEAR BOX ASS.Y (ALUMINIUM)	ENS. GROUPE TRACTION (ALUMINIUM)	ANTRIEBSATZ (ALUMINIUM)	1
2	22753000/0	SPINA	PIN	GOUPILLE	STIFT	2
3	22601904/0	PULEGGIA 4 KM/H	PULLEY 4 KM/H	POULIE 4 KM/H	RIEMENSCHLEIBE 4 KM/H	1
4	12645705/0	SPINA	PIN	GOUPILLE	STIFT	1
5	35063800/0	CINGHIA Z 27	BELT Z 27	COURROIE Z 27	RIEMEN Z 27	1
9	81001252/1	ASSE RUOTE POSTERIORE	REAR WHEELS AXLE	AXE ROUES ARRIERE	HINTERRADACHSE	1
10	12019900/0	ANELLO OR	OR RING	BAGUE OR	RING OR	2
11	22570110/0	PIGNONE DESTRO	RIGHT PINION	PIGNON DROITE	RECHTES RITZEL	1
12	22570120/0	PIGNONE SINISTRO	LEFT PINION	PIGNON GAUCHE	LINKES RITZEL	1
13	12608600/0	SEEGER	SEEGER	SEEGER	ANTRIEBKABEL	4
14	22034508/0	BOCCOLA	BUSH	DOUILLE	BUCHSE	6
15	81006846/0	PROTEZIONE RUOTE	WHEEL GUARD	PROTECTION ROUE	RÄDERSCHUTZ	2
16	22120105/1	CORONA	RING GEAR	COURONNE	KRANZ	2
17	81007313/1	RUOTA Ø 210	WHEEL Ø 210	ROUE Ø 210	RAD Ø 210	2
18	12523060/0	RONDELLA	WASHER	RONDELLE	SCHLEIBE	2
19	12155000/0	DADO	NUT	ECROU	MUTTER	2
20	22110265/0	COPRIMOZZO BIANCO	WHITE HUB CAP	COUVRE-MOYEU BLANC	WEIBE RADKAPPE	2
—	22110266/0	COPRIMOZZO GIALLO	YELLOW HUB CAP	COUVRE-MOYEU JAUNE	GELBE RADKAPPE	2
—	22110267/0	COPRIMOZZO ROSSO	RED HUB CAP	COUVRE-MOYEU ROUGE	ROTE RADKAPPE	2
21	81001143/0	ASS. COMANDO TRAZIONE	REAR DRIVE ASS.Y	ENS. COMMANDE TRACTION	ANTRIEBKABEL	1
24	22170800/0	DISTANZIALE	SPACER	ENTRETOISE	DISTANZRING	1
30	22033280/0	ASTA REGOLAZIONE	ADJUSTMENT ROD	TIGE REGLAGE	VERSTELLUNGSTANGE	1
31	22041957/0	BUSSOLA	BUSH	DOUILLE	BUCHSE	1
32	22450063/0	MOLLA	SPRING	RESSORT	FEDER	1
33	22680009/0	RONDELLA	WASHER	RONDELLE	SCHLEIBE	1
34	12154510/0	DADO	NUT	ECROU	MUTTER	1
35	22110230/0	TAPPO	CAP	BOUCHON	GUMMISTOPFEN	1