

VISTE ESPLOSE  
EXPLODED VIEWS

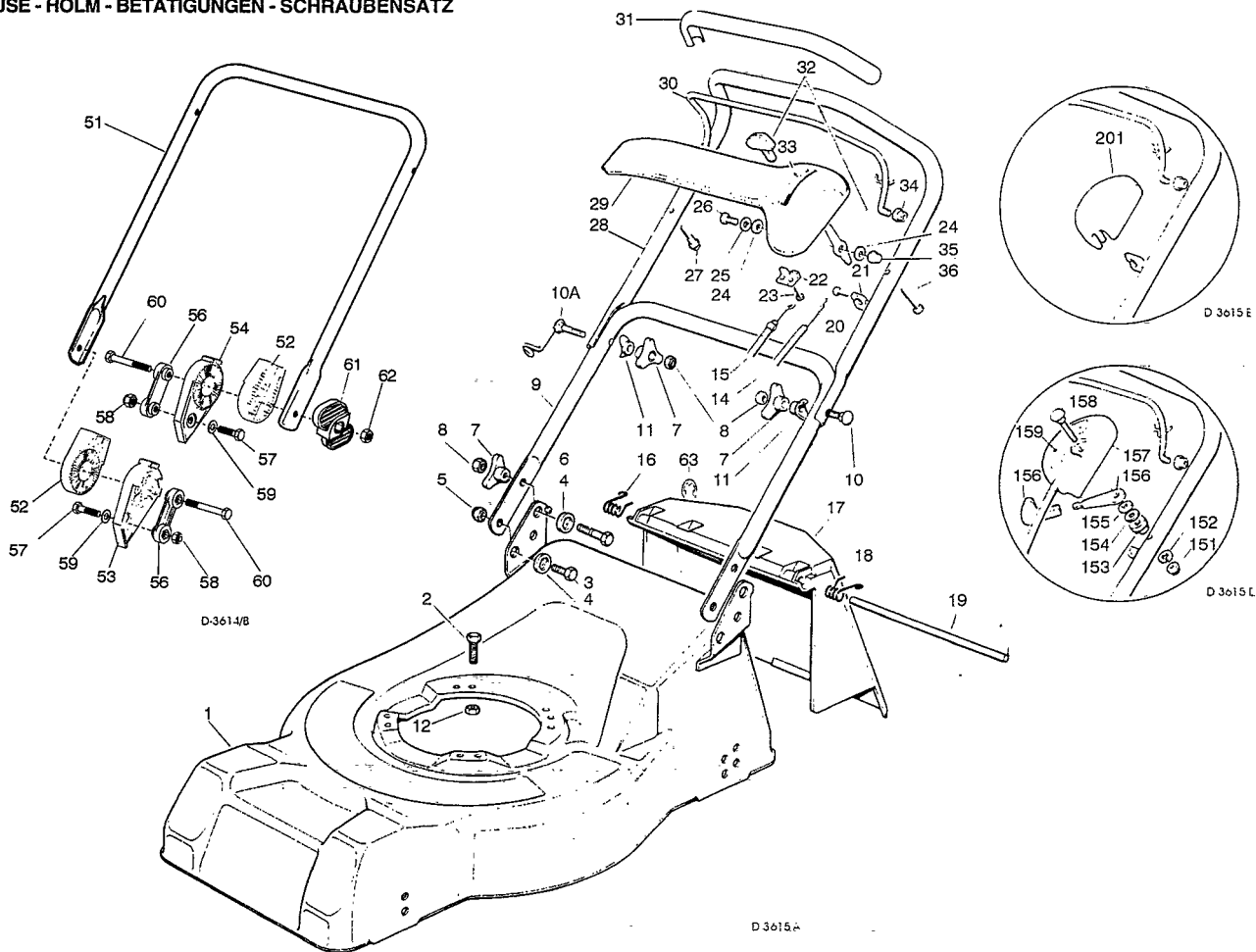
VUES ECLATEES  
SPRENGZEICHNUNGEN

Rapid 46  
Collect

NG 414  
NG 464

Mod. 1998

CHASSIS - MANICO - COMANDI - DOTAZIONE VITERIE  
DECK - HANDLE - CONTROLS - SCREWS OUTFITS  
CHÂSSIS - MANCHERON - COMMANDES - DOTATION VISSERIE  
GEHÄUSE - HOLM - BETÄTIGUNGEN - SCHRAUBENSATZ



T-3615 A

| Pos. Nr. | Codice Kodex Code | Descrizione                     | Description                     | Description                     | Beschreibung                    | Q.tà Q.ty Q.té Menge |
|----------|-------------------|---------------------------------|---------------------------------|---------------------------------|---------------------------------|----------------------|
| 1        | 81001174/1        | CHASSIS ROSSO NG 414            | RED DECK NG 414                 | CHÂSSIS ROUGE NG 414            | ROTES GEHÄUSE NG 414            | 1                    |
| —        | 81001199/1        | CHASSIS GIALLO NG 414           | YELLOW DECK NG 414              | CHÂSSIS JAUNE NG 414            | GELBES GEHÄUSE NG 414           | 1                    |
| —        | 81001441/1        | CHASSIS VERDE NG 414            | GREEN DECK NG 414               | CHÂSSIS VERT NG 414             | GRÜNES GEHÄUSE NG 414           | 1                    |
| —        | 81001175/0        | CHASSIS ROSSO NG 464            | RED DECK NG 464                 | CHÂSSIS ROUGE NG 464            | ROTES GEHÄUSE NG 464            | 1                    |
| —        | 81001282/0        | CHASSIS GIALLO NG 464           | YELLOW DECK NG 464              | CHÂSSIS JAUNE NG 464            | GELBES GEHÄUSE NG 464           | 1                    |
| —        | 81001442/0        | CHASSIS VERDE NG 464            | GREEN DECK NG 464               | CHÂSSIS VERT NG 464             | GRÜNES GEHÄUSE NG 464           | 1                    |
| 2        | 12793700/0        | VITE (M8x30)                    | SCREW (M8x30)                   | VIS (M8x30)                     | SCHRAUBE (M8x30)                | 3/2                  |
| —        | 12691800/0        | VITE (M8x60)                    | SCREW (M8x60)                   | VIS (M8x60)                     | SCHRAUBE (M8x60)                | 0/1                  |
| 3        | 12792610/0        | VITE                            | SCREW                           | VIS                             | SCHRAUBE                        | 2                    |
| 4        | 22041955/0        | BUSSOLA                         | BUSH                            | DOUILLE                         | BUCHSE                          | 4                    |
| 5        | 12155000/0        | DADO                            | NUT                             | ECROU                           | MUTTER                          | 2                    |
| 6        | 12793700/0        | VITE                            | SCREW                           | VIS                             | SCHRAUBE                        | 2                    |
| 7        | 22399900/0        | MANOPOLINA                      | KNOB                            | POIGNÉE                         | GRIF                            | 4                    |
| 8        | 12293200/0        | DADO                            | NUT                             | ECROU                           | MUTTER                          | 4                    |
| 9        | 81006512/0        | PARTE INF. MANICO               | LOWER HANDLE                    | PARTIE INF. MANCHERON           | UNTERHOLM                       | 1                    |
| 10       | 12819201/0        | VITE                            | SCREW                           | VIS                             | SCHRAUBE                        | 1                    |
| 10A      | 81003801/0        | MOLLA GUIDA                     | SPRING                          | RESSORT                         | FEDER                           | 1                    |
| 11       | 22680006/1        | RONDELLA                        | WASHER                          | RONDELLE                        | SCHIBE                          | 2                    |
| 12       | 12293201/0        | DADO                            | NUT                             | ECROU                           | MUTTER                          | 3/2                  |
| —        | 12155000/0        | DADO                            | NUT                             | ECROU                           | MUTTER                          | 0/1                  |
| 14       | 81007160/0        | CAVO ACCELERATORE               | THROTTLE CABLE                  | CABLE ACCELERATEUR              | BESCHLEUNIGER KABEL             | 1                    |
| 15       | —                 | CAVO FRENO MOTORE               | THREAD MOTOR BRAKE              | CABLE FREIN MOTEUR              | MOTORBREMSEKABEL                | —                    |
| —        | 81000633/0        | NG 414 (QUANTUM XM)             | NG 414 (QUANTUM XM)             | NG 414 (QUANTUM XM)             | NG 414 (QUANTUM XM)             | 1                    |
| —        | 81000631/0        | NG 464 (QUANTUM XM)             | NG 464 (QUANTUM XM)             | NG 464 (QUANTUM XM)             | NG 464 (QUANTUM XM)             | 1                    |
| —        | 81000638/0        | NG 464 (HONDA GV 100)           | NG 464 (HONDA GV 100)           | NG 464 (HONDA GV 100)           | NG 464 (HONDA GV 100)           | 1                    |
| —        | 81000623/1        | NG 414-464 (TECUMSEH)           | NG 414-464 (TECUMSEH)           | NG 414-464 (TECUMSEH)           | NG 414-464 (TECUMSEH)           | 1                    |
| —        | 81000625/0        | NG 414-464 (SPRINT 375/QUATTRO) | NG 414-464 (SPRINT 375/QUATTRO) | NG 414-464 (SPRINT 375/QUATTRO) | NG 414-464 (SPRINT 375/QUATTRO) | 1                    |
| 16       | 22450410/1        | MOLLA DX                        | RIGHT SPRING                    | RESSORT DROITE                  | RECHTE FEDER                    | 1                    |
| 17       | 22600028/4        | PARASASSI                       | STONE-GUARD                     | PARE-PIERRES                    | PRALLBLECH                      | 1                    |
| 18       | 22450420/1        | MOLLA SX                        | LEFT SPRING                     | RESSORT GAUCHE                  | LINKE FEDER                     | 1                    |

| Pos. Nr. | Codice Kodex Code | Descrizione                | Description            | Description                | Beschreibung              | Q.tà<br>Q.ty<br>Q.té<br>Menge |
|----------|-------------------|----------------------------|------------------------|----------------------------|---------------------------|-------------------------------|
| 19       | 22517906/1        | PERNO                      | PIN                    | PIVOT                      | BOLZEN                    | 1                             |
| 20       | 12728518/0        | VITE                       | SCREW                  | VIS                        | SCHRAUBE                  | 1                             |
| 21       | 22806612/0        | SUPPORTO                   | SUPPORT                | SUPPORT                    | HALTER                    | 1                             |
| 22       | 22981467/0        | PIASTRINA                  | PLAQUE                 | PLAQUETTE                  | PLATTE                    | 1                             |
| 23       | 12735105/0        | VITE                       | SCREW                  | VIS                        | SCHRAUBE                  | 2                             |
| 24       | 12523040/0        | RONDELLA                   | WASHER                 | RONDELLE                   | SCHEIBE                   | 2                             |
| 25       | 12530060/0        | RONDELLA ELASTICA          | SPRING WASHER          | RONDELLE ELASTIQUE         | ELASTISCHE SCHEIBE        | 1                             |
| 26       | 12791500/0        | VITE                       | SCREW                  | VIS                        | SCHRAUBE                  | 1                             |
| 27       | 22943006/0        | VITE                       | SCREW                  | VIS                        | SCHRAUBE                  | 1                             |
| 28       | 81007018/0        | PARTE SUP. MANICO          | UPPER HANDLE           | PARTIE SUP. MANCHERON      | OBERHOLM                  | 1                             |
| 29       | 22120154/0        | CRUSCOTTO ROSSO            | RED DASH BOARD         | CONSOLE ROUGE              | ROTE KONSOLE              | 1                             |
| —        | 22120152/0        | CRUSCOTTO GIALLO           | YELLOW DASH BOARD      | CONSOLE JAUNE              | GELBE KONSOLE             | 1                             |
| —        | 22120158/0        | CRUSCOTTO NERO             | BLACK DASH BOARD       | CONSOLE NOIRE              | SCHWARZE KONSOLE          | 1                             |
| 30       | 81003291/2        | LEVA FRENO MOTORE          | BRAKE LEVER            | LEVIER FREIN MOTEUR        | MOTORBREMSEHEBEL          | 1                             |
| 31       | 22291050/0        | IMPUGNATURA MANICO NERA    | BLACK HANDGRIP         | POIGNÉE NOIRE              | SCHWARZER HANDGRIFF       | 1                             |
| —        | 22291051/0        | IMPUGNATURA MANICO ROSSA   | RED HANDGRIP           | POIGNÉE ROUGE              | RÖTER HANDGRIFF           | 1                             |
| —        | 22291052/0        | IMPUGNATURA MANICO GIALLA  | YELLOW HANDGRIP        | POIGNÉE JAUNE              | GELBER HANDGRIFF          | 1                             |
| 32       | 81007280/2        | ASS. LEVA + MANOPOLINA     | LEVER + KNOB ASS. Y    | ENS. LEVIER + POIGNÉE      | HEBEL + GRIFF SATZ        | 1                             |
| 33       | 14356743/0        | ETICHETTA (TECUMSEH-HONDA) | LABEL (TECUMSEH-HONDA) | ETIQUETTE (TECUMSEH-HONDA) | ETIKETTE (TECUMSEH-HONDA) | 1                             |
| —        | 14356744/0        | ETICHETTA (B&S)            | LABEL (B&S)            | ETIQUETTE (B&S)            | ETIKETTE (B&S)            | 1                             |
| 34       | 22041966/0        | BOCCOLA                    | BUSH                   | DOUILLE                    | BUCHSE                    | 2                             |
| 35       | 12154510/0        | DADO                       | NUT                    | ECROU                      | MUTTER                    | 1                             |
| 36       | 12728460/0        | VITE                       | SCREW                  | VIS                        | SCHRAUBE                  | 1                             |

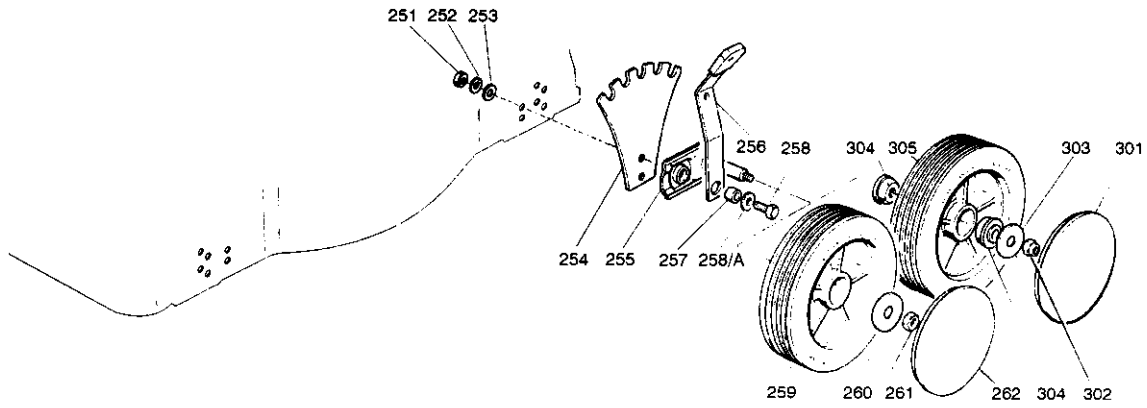
|   |            |                     |                   |                   |                |   |
|---|------------|---------------------|-------------------|-------------------|----------------|---|
| — | 81008614/0 | DOTAZIONE VITERIA   | SCREWS OUTFIT     | DOTATION VISSERIE | SCHRAUBEN SATZ | 1 |
| — | 81008609/0 | DOTAZIONE CRUSCOTTO | DASH-BOARD OUTFIT | DOTATION CONSOLE  | KONSOLE SATZ   | 1 |

|    |            | VARIANTE REGOLAZIONE MANICO | HANDLE ADJUSTMENT VARIANT | VARIANTE REGLAGE POIGNEE | GRIFFEINSTELLVARIANTE |   |
|----|------------|-----------------------------|---------------------------|--------------------------|-----------------------|---|
| 51 | 81006510/0 | PARTE INFR. MANICO          | LOWER HANDLE              | PARTIE INF. MANCHERON    | UNTERHOLM             | 1 |
| 52 | 22785081/0 | SUPPORTO ESTERNO            | EXTERNAL SUPPORT          | SUPPORT EXTERNE          | AUBENHALTERUNG        | 2 |
| 53 | 22785082/0 | SUPPORTO INTERNO DX         | RH INTERNAL SUPPORT       | SUPPORT INTERNE DROIT    | INNENHALTERUNG RECHTS | 1 |
| 54 | 22785083/0 | SUPPORTO INTERNO SX         | LH INTERNAL SUPPORT       | SUPPORT INTERNE GAUCHE   | INNENHALTERUNG LINKS  | 1 |
| 56 | 22651575/0 | PIASTRINA INTERNA           | INSIDE PLAQUE             | PLAQUETTE INTERNE        | ISOLIER PLATTE        | 2 |
| 57 | 12793701/0 | VITE                        | SCREW                     | VIS                      | SCHRAUBE              | 2 |
| 58 | 12155000/0 | DADO                        | NUT                       | ECROU                    | MUTTER                | 2 |
| 59 | 12521350/0 | RONDELLA                    | WASHER                    | RONDELLE                 | SCHEIBE               | 2 |
| 60 | 12691810/0 | VITE                        | SCREW                     | VIS                      | SCHRAUBE              | 2 |
| 61 | 22399803/0 | MANOPOLINA                  | KNOB                      | POIGNÉE                  | GRIFF                 | 2 |
| 62 | 12293202/0 | DADO                        | NUT                       | ECROU                    | MUTTER                | 2 |
| 63 | 12000930/0 | ANELLO ELASTICO             | SNAP RING                 | ANNEAU RESSORT           | SPRENGRING            | 1 |
| —  | 81008623/0 | DOTAZ. VITERIA              | SCREWS OUTFIT             | DOTATION VISSERIE        | SCHRAUBEN SATZ        | 1 |

|     |            | VARIANTE ACCELERATORE      | THROTTLE VARIANTS      | VARIANTES COMMANDE D'ACCELERATION | ÄNDERUNGEN AUF GASHEBEL   |   |
|-----|------------|----------------------------|------------------------|-----------------------------------|---------------------------|---|
| 151 | 12291000/0 | DADO                       | NUT                    | ECROU                             | MUTTER                    | 1 |
| 152 | 12581500/0 | GROWER                     | GROWER                 | GROWER                            | FEDERRING                 | 1 |
| 153 | 22171005/0 | DISTANZIALE                | SPACER                 | ENTRETOISE                        | DISTANZRING               | 1 |
| 154 | 12521360/0 | RONDELLA                   | WASHER                 | RONDELLE                          | SCHEIBE                   | 1 |
| 155 | 12508100/0 | RONDELLA ELASTICA          | SPRING WASHER          | RONDELLE ELASTIQUE                | ELASTISCHE SCHEIBE        | 1 |
| 156 | 22319302/0 | ASS. LEVA+MANOPOLINA       | LEVER+KNOB ASS.Y       | ENS. LEVIER+POIGNEE               | HEBEL+GRIFF SATZ          | 1 |
| 157 | 81007080/0 | ASSIEME ACCELERATORE       | TROTTLE UNIT ASS.Y     | ENS. ACCELERATEUR                 | BESCHLEUNIGER SATZ        | 1 |
| 158 | 12815000/0 | VITE                       | SCREW                  | VIS                               | SCHRAUBE                  | 1 |
| 159 | 14356702/0 | ETICHETTA (TECUMSEH-HONDA) | LABEL (TECUMSEH-HONDA) | ETIQUETTE (TECUMSEH-HONDA)        | ETIKETTE (TECUMSEH-HONDA) | 1 |
| —   | 14356703/0 | ETICHETTA (B&S)            | LABEL (B&S)            | ETIQUETTE (B&S)                   | ETIKETTE (B&S)            | 1 |

|     |            | VARIANTE REGIME FISSO | R.P.M. VARIANTS | VARIANTES POUR MODÈLE À REGIME FIXE | ÄNDERUNGEN FÜR MODELLE MIT FIXIERTER DREHZAHL |  |
|-----|------------|-----------------------|-----------------|-------------------------------------|---|--|
| 201 | 22601000/0 | PROTEZIONE            | PROTECTION      | PROTECTION                          | SCHUTZ  |  |

**RUOTE E REGOLAZIONE  
WHEELS AND HEIGHT ADJUSTING  
ROUES ET REGLAGE HAUTEUR DE COUPE  
RÄDER UND SCHNITTVERSTELLUNG**



C. 3614 F

T.3614F

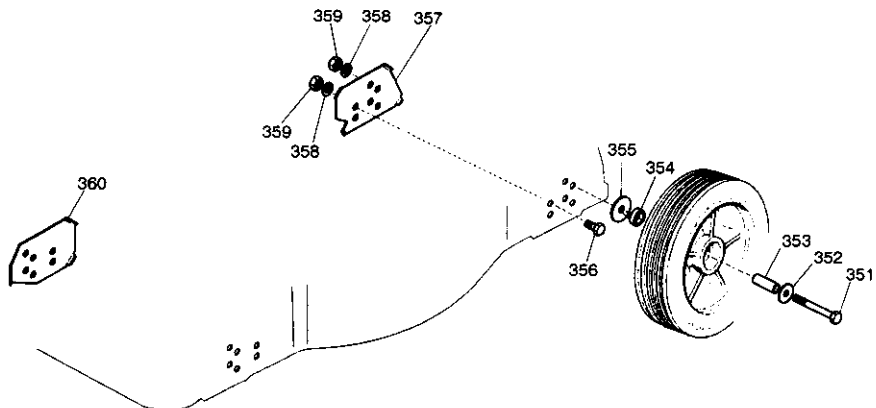
|      |            |                     |                   |                    |                   |   |
|------|------------|---------------------|-------------------|--------------------|-------------------|---|
| 251  | 12293200/0 | DADO                | NUT               | ECROU              | MUTTER            | 4 |
| 252  | 12583500/0 | GROWER              | GROWER            | GROWER             | FEDERRING         | 4 |
| 253  | 12523070/0 | RONDELLA            | WASHER            | RONDELLE           | SCHEIBE           | 4 |
| 254  | 22735537/0 | SETTORE REGOLAZIONE | ADJUSTMENT SECTOR | SECTEUR REGLAGE    | VERSTELLUNGSEKTOR | 4 |
| 255  | 81005082/0 | SUPPORTO RUOTA      | WHEEL SUPPORT     | SUPPORT ROUE       | RADHALTER         | 4 |
| 256  | 81003273/0 | LEVA REGOLAZIONE    | ADJUSTMENT LEVER  | LEVIER REGLAGE     | VERSTELLUNGHEBEL  | 4 |
| 257  | 22171001/0 | DISTANZIALE         | SPACER            | ENTRETOISE         | DISTANZRING       | 4 |
| 258  | 12793701/0 | VITE                | SCREW             | VIS                | SCHRAUBE          | 4 |
| 258A | 12521350/0 | RONDELLA            | WASHER            | RONDELLE           | SCHEIBE           | 4 |
| 259  | 81007325/0 | RUOTA Ø 170         | WHEEL Ø 170       | ROUE Ø 170         | RAD Ø 170         | 4 |
| 260  | 12523060/0 | RONDELLA            | WASHER            | RONDELLE           | SCHEIBE           | 4 |
| 261  | 12293201/0 | DADO                | NUT               | ECROU              | MUTTER            | 4 |
| 262  | 22110262/0 | COPRIMOZZO BIANCO   | WHITE HUB CAP     | COUVRE-MOYEU BLANC | WEIBE RADKAPPE    | 4 |
| —    | 22110263/0 | COPRIMOZZO GIALLO   | YELLOW HU BCAP    | COUVRE-MOYEU JAUNE | GELBE RADKAPPE    | 4 |
| —    | 22110264/0 | COPRIMOZZO ROSSO    | RED HU BCAP       | COUVRE-MOYEU ROUGE | ROTE RADKAPPE     | 4 |

T.3614G

| VARIANTI RUOTE Ø 170 SU BOCCOLE |            |                   | WHEELS Ø 170 VARIANTS ON BUSHES | VARIANTES ROUES Ø 170 SUR DOUILLES | ÄNDERUNGEN AUF RÄDER Ø 170 MIT BÜCHSEN |   |
|---------------------------------|------------|-------------------|---------------------------------|------------------------------------|--|---|
| 301                             | 22110262/0 | COPRIMOZZO BIANCO | WHITE HUB CAP                   | COUVRE-MOYEU BLANC                 | WEIBE RADKAPPE                         | 4 |
| —                               | 22110263/0 | COPRIMOZZO GIALLO | YELLOW HU BCAP                  | COUVRE-MOYEU JAUNE                 | GELBE RADKAPPE                         | 4 |
| —                               | 22110264/0 | COPRIMOZZO ROSSO  | RED HU BCAP                     | COUVRE-MOYEU ROUGE                 | ROTE RADKAPPE                          | 4 |
| 302                             | 12155000/0 | DADO              | NUT                             | ECROU                              | MUTTER                                 | 4 |
| 303                             | 12523060/0 | RONDELLA          | WASHER                          | RONDELLE                           | SCHEIBE                                | 4 |
| 304                             | 22034508/0 | BOCCOLA           | BUSCHING                        | DOUILLE                            | BÜCHSE                                 | 8 |
| 305                             | 81007326/0 | RUOTA Ø 170       | WHEEL Ø 170                     | ROUE Ø 170                         | RAD Ø 170                              | 4 |

T.3614H

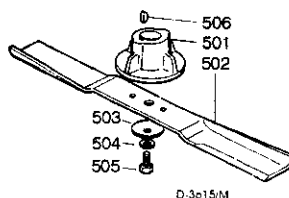
| VARIANTE REGOLAZIONE RUOTE | WHEEL ADJUSTMENT VARIANT | VARIANTE REGLAGE ROUES | RADEINSTELLVARIANTE |  |
|----------------------------|--------------------------|------------------------|---------------------|--|
|----------------------------|--------------------------|------------------------|---------------------|--|



|     |            |          |        |          |          |   |
|-----|------------|----------|--------|----------|----------|---|
| 351 | 12691900/0 | VITE     | SCREW  | VIS      | SCHRAUBE | 4 |
| 352 | 12523060/0 | RONDELLA | WASHER | RONDELLE | SCHEIBE  | 4 |

| Pos. Nr. | Codice Kodex Code | Descrizione        | Description | Description        | Beschreibung | Q.tà<br>Q.ty<br>Q.tè<br>Menge |
|----------|-------------------|--------------------|-------------|--------------------|--------------|-------------------------------|
| 353      | 22869650/0        | TUBO PER RUOTA     | WHEEL TUBE  | TUBE POUR ROUE     | ROHR FÜR RAD | 4                             |
| 354      | 22172420/0        | DISTANZIALE        | SPACER      | ENTRETOISE         | DISTANZRING  | 4                             |
| 355      | 12523070/0        | RONDELLA           | WASHER      | RONDELLE           | SCHEIBE      | 4                             |
| 356      | 12792611/0        | VITE               | SCREW       | VIS                | SCHRAUBE     | 4                             |
| 357      | 22551513/0        | PIASTRA POSTERIORE | BACK PLATE  | PLAQUE POSTÉRIEURE | HINTERPLATTE | 2                             |
| 358      | 12583500/0        | GROWER             | GROWER      | GROWER             | GROWER       | 8                             |
| 359      | 12293200/0        | DADO               | NUT         | ECROU              | MUTTER       | 8                             |
| 360      | 22551511/0        | PIASTRA ANTERIORE  | FRONT PLATE | PLAQUE ANTÉRIEURE  | VORDERPLATTE | 2                             |

**GRUPPO COLTELLO  
BLADE ASS.Y  
GROUPE LAMES  
MESSERSATZ**

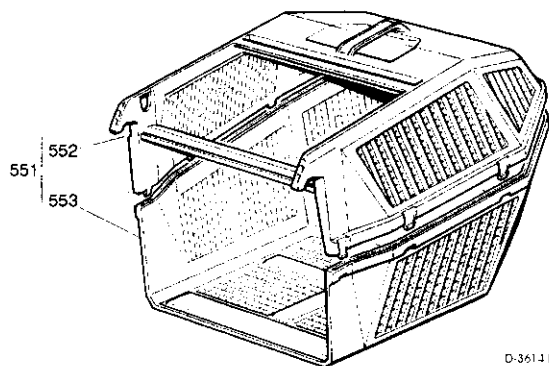


D-3e15/M

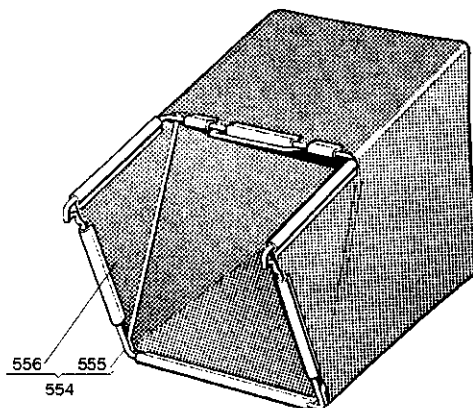
T-3e15 M

|     |            |                          |                       |                      |                        |   |
|-----|------------|--------------------------|-----------------------|----------------------|------------------------|---|
| 501 | 22463012/1 | MOZZO                    | HUB                   | MOYEU                | HALTER                 | 1 |
| 502 | 81004360/2 | COLTELLO STANDARD 39 cm. | STANDARD BLADE 39 cm. | LAME STANDARD 39 cm. | STANDARD MESSER 39 cm. | 1 |
| —   | 81004365/1 | COLTELLO STANDARD 44 cm. | STANDARD BLADE 44 cm. | LAME STANDARD 44 cm. | STANDARD MESSER 44 cm. | 1 |
| 503 | 22160400/0 | DISCO ELASTICO           | ELASTIC WASHER        | RONDELLE ELASTIQUE   | ELASTISCHE SCHEIBE     | 1 |
| 504 | 12523080/0 | RONDELLA                 | WASHER                | RONDELLE             | SCHEIBE                | 1 |
| 505 | 12735698/0 | VITE                     | SCREW                 | VIS                  | SCHRAUBE               | 1 |
| 506 | 12139100/0 | LINGUETTA                | FEATHER               | CLAVETTE             | KEIL                   | 1 |

**SACCO RACCOGLIERBA  
GRASS-CATCHER  
BAC DE RAMASSAGE  
GRASFANGKORB**



D-3e14 II



T-3e14 N

|     |            |                    |                      |                       |                 |   |
|-----|------------|--------------------|----------------------|-----------------------|-----------------|---|
| 551 | 98005000/1 | SACCO COMPLETO     | COMPLETE GRASS-BOX   | SAC COMPLET           | KOMPLETTER KORB | 1 |
| 552 | 22486076/0 | PORTE SUP. SACCO   | UPPER GRASS BOX      | PARTIE SUP. SAC       | OBERKORB        | 1 |
| 553 | 22486077/0 | PORTE INF. SACCO   | LOWER GRASS BOX      | PARTIE INF. SAC       | UNTERKORB       | 1 |
| 554 | 98004000/0 | ASS. SACCO IN TELA | CANVASS GRASSCATCHER | ENSEMBLE SAC EN TOILE | KOMPLETTER SACK | 1 |
| 555 | 81006408/0 | TELAIO             | CHASSIS              | CHÂSSIS               | RAHMEN          | 1 |
| 556 | 81002105/2 | TELA SACCO         | FABRIC BOX           | TOILE POUR SAC        | TUCK FÜR SACK   | 1 |