

NG 414

1999

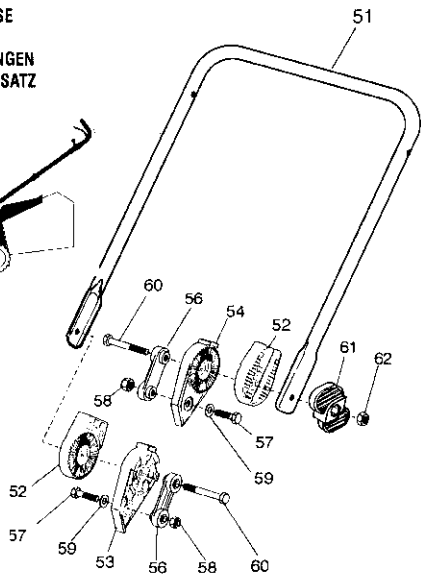
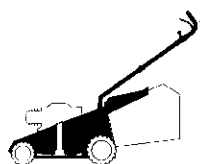
NG 464

CHASSIS
MANICO
COMANDI
DOTAZIONE VITERIE

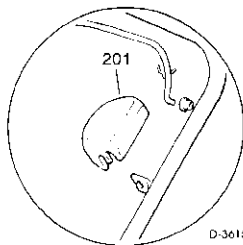
DECK
HANDLE
CONTROLS
SCREWS OUTFITS

CHÂSSIS
MANCHERON
COMMANDES
DOTATION VISSERIE

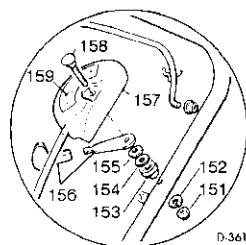
GEHÄUSE
HOLM
BETÄTIGUNGEN
SCRAUBENSATZ



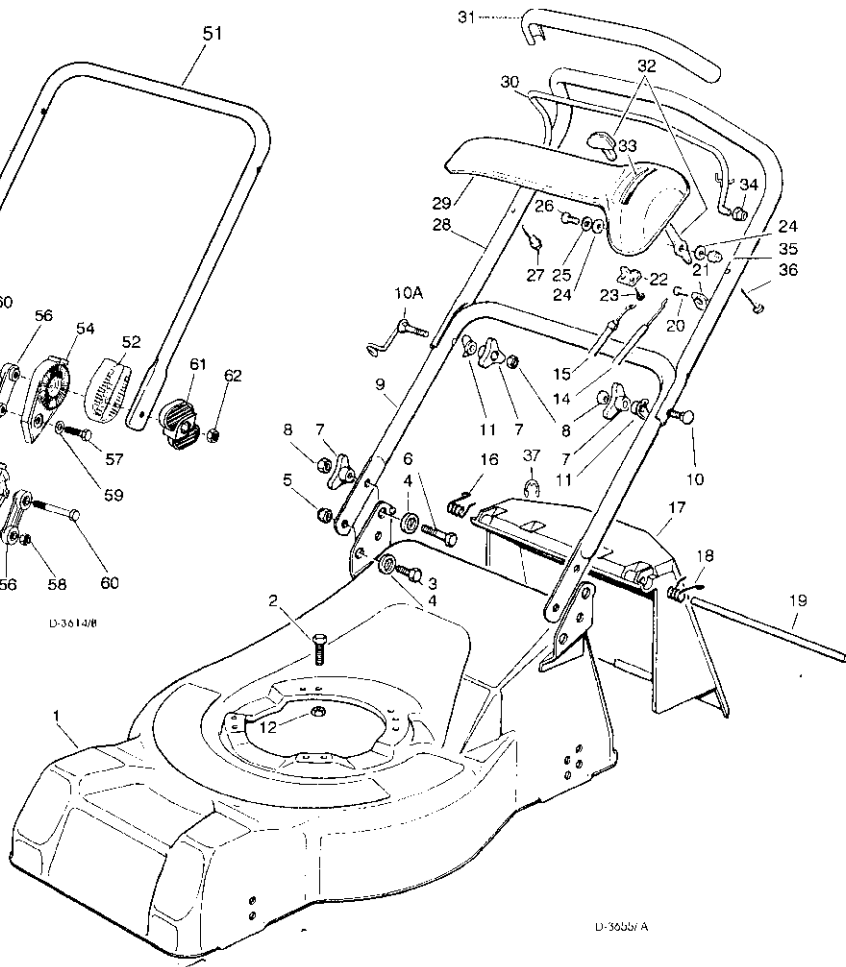
D-3614/08



D-3615/E



D-3615/D



D-3655/A

GB SPARE PARTS CATALOGUE

ERSATZTEILKATALOG

I CATALOGO DELLE PARTI
DI RICAMBIO

F CATALOGUE DES PIECES
DE RECHANGE

T-3655/A

| Pos. Nr. | Codice Code Kodex | Q.tà Q.ty-Q.tè Menge | Descrizione | Description | Description | Beschreibung |
|----------|-------------------|----------------------|---------------|---------------|--------------|---------------|
| 1 | | | CHASSIS | DECK | CHÂSSIS | GEHÄUSE |
| — | 81001174/ 1 | 1 | ROSSO NG 414 | RED NG 414 | ROUGE NG 414 | ROTES NG 414 |
| — | 81001199/ 1 | 1 | GIALLO NG 414 | YELLOW NG 414 | JAUNE NG 414 | GELBES NG 414 |
| — | 81001441/ 1 | 1 | VERDE NG 414 | GREEN NG 414 | VERT NG 414 | GRÜNES NG 414 |
| — | 81001175/ 0 | 1 | ROSSO NG 464 | RED NG 464 | ROUGE NG 464 | ROTES NG 464 |
| — | 81001282/ 0 | 1 | GIALLO NG 464 | YELLOW NG 464 | JAUNE NG 464 | GELBESNG 464 |
| — | 81001442/ 0 | 1 | VERDE NG 464 | GREEN NG 464 | VERT NG 464 | GRÜNES NG 464 |
| 2 | | | VITE | SCREW | VIS | SCHRAUBE |
| — | 12793700/ 0 | 3/ 2 | (M8x30) | (M8x30) | (M8x30) | (M8x30) |
| — | 12691800/ 0 | 0/ 1 | (M8x60) | (M8x60) | (M8x60) | (M8x60) |
| 3 | | | VITE | SCREW | VIS | SCHRAUBE |
| 4 | | | BUSSOLA | BUSH | DOUILLE | BUCHSE |
| 5 | | | DADO | NUT | ECROU | MUTTER |
| 6 | | | VITE | SCREW | VIS | SCHRAUBE |
| 7 | | | MANOPOLINA | KNOB | POIGNÉE | GRIFF |
| 8 | | | DADO | NUT | ECROU | MUTTER |



| Pos. Nr. | Codice Code Kodex | Q.tà Q.ty-Q.tè Menge | Descrizione | Description | Description | Beschreibung |
|----------|-------------------|----------------------|---------------------------------|---------------------------------|---------------------------------|---------------------------------|
| 9 | 81006512/0 | 1 | PARTE INF. MANICO | LOWER HANDLE | PARTIE INF. MANCHERON | UNTERHOLM |
| 10 | 12819201/0 | 1 | VITE | SCREW | VIS | SCHRAUBE |
| 10A | 81003801/0 | 1 | MOLLA GUIDA | SPRING | RESSORT | FEDER |
| 11 | 22880006/1 | 2 | RONDELLA | WASHER | RONDELLE | SCHEIBE |
| 12 | 12293201/0 | 3/2 | DADO | NUT | ECROU | MUTTER |
| — | 12155000/0 | 0/1 | DADO | NUT | ECROU | MUTTER |
| 14 | 81007160/0 | 1 | CAVO ACCELERATORE | THROTTLE CABLE | CABLE ACCELERATEUR | BESCHLEUNIGER KABEL |
| 15 | 81000633/0 | 1 | CAVO FRENO MOTORE | THREAD MOTOR BRAKE | CABLE FREIN MOTEUR | MOTORBREMSEKABEL |
| — | 81000631/0 | 1 | NG 414 (QUANTUM XM) | NG 414 (QUANTUM XM) | NG 414 (QUANTUM XM) | NG 414 (QUANTUM XM) |
| — | 81000623/1 | 1 | NG 464 (QUANTUM XM) | NG 464 (QUANTUM XM) | NG 464 (QUANTUM XM) | NG 464 (QUANTUM XM) |
| — | 81000625/0 | 1 | NG 414-464 (TECUMSEH) | NG 414-464 (TECUMSEH) | NG 414-464 (TECUMSEH) | NG 414-464 (TECUMSEH) |
| — | 81000625/0 | 1 | NG 414-464(SPRINT 375/ QUATTRO) | NG 414-464(SPRINT 375/ QUATTRO) | NG 414-464(SPRINT 375/ QUATTRO) | NG 414-464(SPRINT 375/ QUATTRO) |
| 16 | 22450410/1 | 1 | MOLLA DX | RIGHT SPRING | RESSORT DROITE | RECHTE FEDER |
| 17 | 22800028/4 | 1 | PARASASSI | STONE-GUARD | PARE-PIERRES | PRALLBLECH |
| 18 | 22450420/1 | 1 | MOLLA SX | LEFT SPRING | RESSORT GAUCHE | LINKE FEDER |
| 19 | 22517906/1 | 1 | PERNO | PIN | PIVOT | BOLZEN |
| 20 | 12728518/0 | 1 | VITE | SCREW | VIS | SCHRAUBE |
| 21 | 22806612/0 | 1 | SUPPORTO | SUPPORT | SUPPORT | HALTER |
| 22 | 22981467/0 | 1 | PIASTRINA | PLAQUE | PLAQUETTE | PLATTE |
| 23 | 12735105/0 | 2 | VITE | SCREW | VIS | SCHRAUBE |
| 24 | 12523040/0 | 2 | RONDELLA | WASHER | RONDELLE | SCHEIBE |
| 25 | 12530060/0 | 1 | RONDELLA ELASTICA | SPRING WASHER | RONDELLE ELASTIQUE | ELASTISCHE SCHEIBE |
| 26 | 12791500/0 | 1 | VITE | SCREW | VIS | SCHRAUBE |
| 27 | 22943006/0 | 1 | VITE | SCREW | VIS | SCHRAUBE |
| 28 | 81007018/0 | 1 | PARTE SUP. MANICO | UPPER HANDLE | PARTIE SUP. MANCHERON | OBERHOLM |
| 29 | 81007018/0 | 1 | CRUSCOTTO | DASH BOARD | CONSOLE | KONSOLE |
| — | 22120154/0 | 1 | ROSSO | RED | ROUGE | ROTE |
| — | 22120152/0 | 1 | GIALLO | YELLOW | JAUNE | GELBE |
| — | 22120158/0 | 1 | NERO | BLACK | NOIRE | SCHWARZE |
| 30 | 81003291/2 | 1 | LEVA FRENO MOTORE | BRAKE LEVER | LEVIER FREIN MOTEUR | MOTORBREMSEHEBEL |
| 31 | 81003291/2 | 1 | IMPUGNATURA MANICO | HANDGRIP | POIGNÉE | HANDGRIFF |
| — | 22291050/0 | 1 | NERA | BLACK | NOIRE | SCHWARZER |
| — | 22291051/0 | 1 | ROSSA | RED | ROUGE | RÖTER |
| — | 22291052/0 | 1 | GIALLA | YELLOW | JAUNE | GELBER |
| 32 | 81007280/2 | 1 | ASS. LEVA + MANOPOLINA | LEVER + KNOB ASS. Y | ENS. LEVIER + POIGNÉE | HEBEL + GRIFF SATZ |
| 33 | 81007280/2 | 1 | ETICHETTA | LABEL | ETIQUETTE | ETIKETTE |
| — | 14356743/0 | 1 | (TECUMSEH-HONDA) | (TECUMSEH-HONDA) | (TECUMSEH-HONDA) | (TECUMSEH-HONDA) |
| — | 14356744/0 | 1 | (B&S) | (B&S) | (B&S) | (B&S) |
| 34 | 22041966/0 | 1 | BOCOLA | BUSH | DOUILLE | BUCHSE |
| 35 | 12154510/0 | 1 | DADO | NUT | ECROU | MUTTER |
| 36 | 12728460/0 | 1 | VITE | SCREW | VIS | SCHRAUBE |
| 37 | 12000930/0 | 1 | ANELLO ELASTICO | SNAP RING | ANNEAU RESSORT | SPRENGRING |

| | | | | | | |
|---|------------|---|---------------------|-------------------|-------------------|----------------|
| — | 81008614/1 | 1 | DOTAZIONE VITERIA | SCREWS OUTFIT | DOTATION VISSERIE | SCHRAUBEN SATZ |
| — | 81008609/0 | 1 | DOTAZIONE CRUSCOTTO | DASH-BOARD OUTFIT | DOTATION CONSOLE | KONSOLE SATZ |

VARIANTE REGOLAZIONE MANICO

HANDLE ADJUSTMENT VARIANT

VARIANTE REGLAGE POIGNEE

GRIFFEINSTELLVARIANTE

| | | | | | | |
|----|------------|---|---------------------|---------------------|------------------------|-------------------------|
| 51 | 81006510/0 | 1 | PARTE INFR. MANICO | LOWER HANDLE | PARTIE INF. MANCHERON | UNTERHOLM |
| 52 | 22785081/0 | 2 | SUPPORTO ESTERNO | EXTERNAL SUPPORT | SUPPORT EXTERNE | AÜßERE HALTERUNG |
| 53 | 22785082/0 | 1 | SUPPORTO INTERNO DX | R. INTERNAL SUPPORT | SUPPORT INTERNE DROIT | INNERE HALTERUNG RECHTS |
| 54 | 22785083/1 | 1 | SUPPORTO INTERNO SX | L. INTERNAL SUPPORT | SUPPORT INTERNE GAUCHE | INNERE HALTERUNG LINKS |
| 56 | 22551575/0 | 2 | PIASTRINA INTERNA | INSIDE PLAQUE | PLAQUETTE INTERNE | INNERE PLATTE |
| 57 | 12793701/0 | 2 | VITE | SCREW | VIS | SCHRAUBE |
| 58 | 12155000/0 | 2 | DADO | NUT | ECROU | MUTTER |
| 59 | 12521350/0 | 2 | RONDELLA | WASHER | RONDELLE | SCHEIBE |
| 60 | 12691810/0 | 2 | VITE | SCREW | VIS | SCHRAUBE |
| 61 | 22399803/0 | 2 | MANOPOLINA | KNOB | POIGNÉE | GRIFF |
| 62 | 12293202/0 | 2 | DADO | NUT | ECROU | MUTTER |
| — | 81008623/0 | 1 | DOTAZ. VITERIA | SCREWS OUTFIT | DOTATION VISSERIE | SCHRAUBEN SATZ |

VARIANTE ACCELERATORE

THROTTLE VARIANTS

VARIANTES COMMANDE D'ACCELERATION

ÄNDERUNGEN AUF GASHEBEL

| | | | | | | |
|-----|------------|---|----------------------|--------------------|---------------------|--------------------|
| 151 | 12291000/0 | 1 | DADO | NUT | ECROU | MUTTER |
| 152 | 12581500/0 | 1 | GROWER | GROWER | GROWER | FEDERRING |
| 153 | 22171005/0 | 1 | DISTANZIALE | SPACER | ENTRETOISE | DISTANZRING |
| 154 | 12521360/0 | 1 | RONDELLA | WASHER | RONDELLE | SCHEIBE |
| 155 | 12508100/0 | 1 | RONDELLA ELASTICA | SPRING WASHER | RONDELLE ELASTIQUE | ELASTISCHE SCHEIBE |
| 156 | 81007279/1 | 1 | ASS. LEVA+MANOPOLINA | LEVER+KNOB ASS.Y | ENS. LEVIER+POIGNEE | HEBEL+GRIFF SATZ |
| 157 | 81007080/0 | 1 | ASSIEME ACCELERATORE | TROTTLE UNIT ASS.Y | ENS. ACCELERATEUR | BESCHLEUNIGER SATZ |
| 158 | 12815000/0 | 1 | VITE | SCREW | VIS | SCHRAUBE |
| 159 | 81007080/0 | 1 | ETICHETTA | LABEL | ETIQUETTE | ETIKETTE |
| — | 14356702/0 | 1 | (TECUMSEH-HONDA) | (TECUMSEH-HONDA) | (TECUMSEH-HONDA) | (TECUMSEH-HONDA) |
| -- | 14356703/0 | 1 | (B&S) | (B&S) | (B&S) | (B&S) |

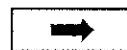
VARIANTE REGIME FISSO

FIXED SPEED VARIANTS

VARIANTES POUR MODELE A REGIME FIXE

ÄNDERUNGEN FÜR MODELLE MIT FIXIERTER DREHZAHL

| | | | | | | |
|-----|------------|--|------------|------------|------------|--------|
| 201 | 22801000/0 | | PROTEZIONE | PROTECTION | PROTECTION | SCHUTZ |
|-----|------------|--|------------|------------|------------|--------|

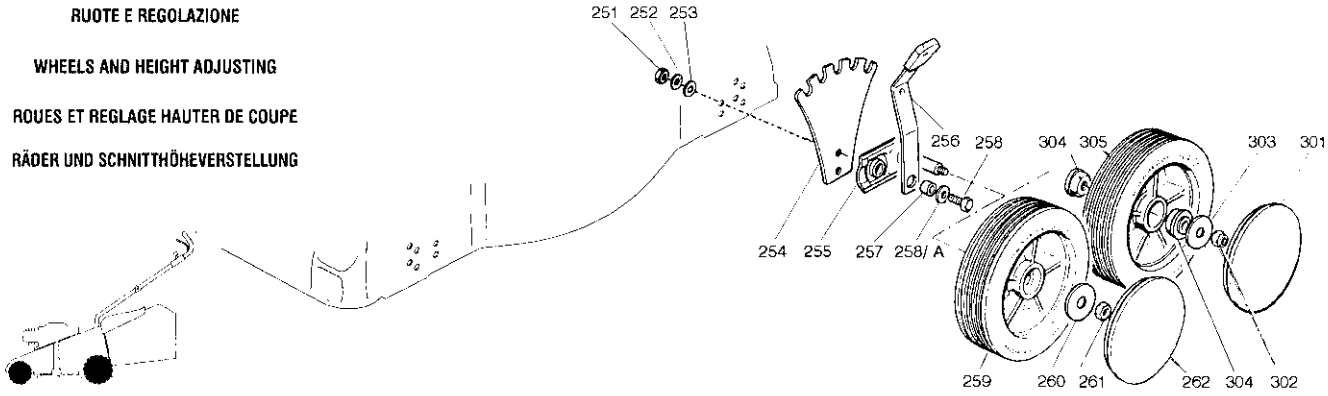


RUOTE E REGOLAZIONE

WHEELS AND HEIGHT ADJUSTING

ROUES ET REGLAGE HAUTEUR DE COUPE

RÄDER UND SCHNITTHÖHEVERSTELLUNG



D-3614/F

T-3614/F

| | | | | | | |
|------|------------|---|---------------------|-------------------|-----------------|-------------------|
| 251 | 12293200/0 | 4 | DADO | NUT | ECROU | MUTTER |
| 252 | 12583500/0 | 4 | GROWER | GROWER | GROWER | FEDERING |
| 253 | 12523070/0 | 4 | RONDELLA | WASHER | RONDELLE | SCHEIBE |
| 254 | 22735537/0 | 4 | SETTORE REGOLAZIONE | ADJUSTMENT SECTOR | SECTEUR REGLAGE | VERSTELLUNGSEKTOR |
| 255 | 81005082/0 | 4 | SUPPORTO RUOTA | WHEEL SUPPORT | SUPPORT ROUE | RADHALTER |
| 256 | 81003273/0 | 4 | LEVA REGOLAZIONE | ADJUSTMENT LEVER | LEVIER REGLAGE | VERSTELLUNGHEBEL |
| 257 | 22171001/0 | 4 | DISTANZIALE | SPACER | ENTRETOISE | DISTANZRING |
| 258 | 12793701/0 | 4 | VITE | SCREW | VIS | SCHRAUBE |
| 258A | 12521350/0 | 4 | RONDELLA | WASHER | RONDELLE | SCHEIBE |
| 259 | 81007325/0 | 4 | RUOTA Ø 170 | WHEEL Ø 170 | ROUE Ø 170 | RAD Ø 170 |
| 260 | 12523060/0 | 4 | RONDELLA | WASHER | RONDELLE | SCHEIBE |
| 261 | 12293201/0 | 4 | DADO | NUT | ECROU | MUTTER |
| 262 | 22110262/0 | 4 | COPRIMOZZO | HUB CAP | COUVRE-MOYEU | RADKAPPE |
| — | 22110263/0 | 4 | BIANCO | WHITE | BLANC | WEIßE |
| — | 22110264/0 | 4 | GIALLO | YELLOW | JAUNE | GELBE |
| — | 22110264/0 | 4 | ROSSO | RED | ROUGE | ROTE |

**VARIANTI RUOTE Ø 170
SU BOCCOLE**

**WHEELS Ø 170 VARIANTS
ON BUSHES**

**VARIANTES ROUES Ø 170
SUR DOUILLES**

**ÄNDERUNGEN AUF
RÄDER Ø 170 MIT BÜCHSEN**

T-3614/G

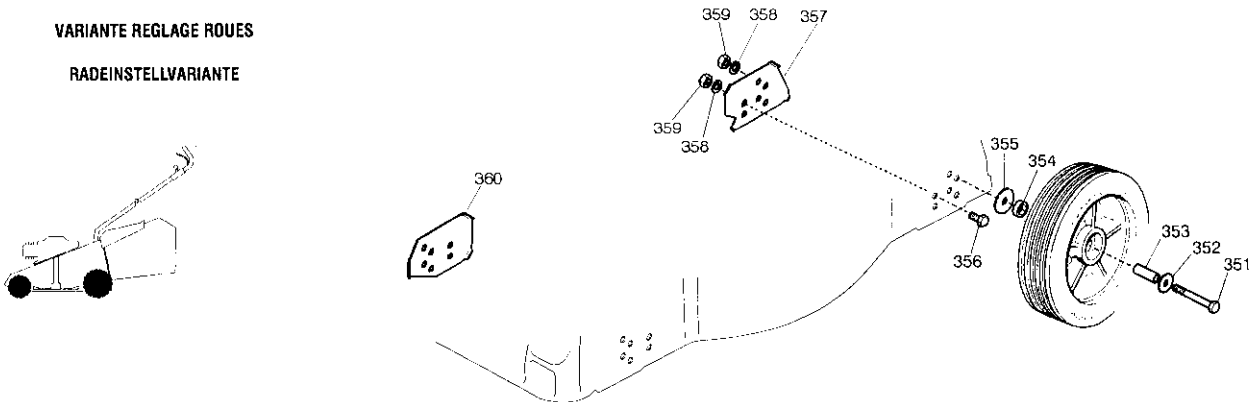
| | | | | | | |
|-----|------------|---|-------------|-------------|--------------|-----------|
| 301 | 22110262/0 | 4 | COPRIMOZZO | HUB CAP | COUVRE-MOYEU | RADKAPPE |
| — | 22110263/0 | 4 | BIANCO | WHITE | BLANC | WEIßE |
| — | 22110264/0 | 4 | GIALLO | YELLOW | JAUNE | GELBE |
| — | 22110264/0 | 4 | ROSSO | RED | ROUGE | ROTE |
| 302 | 12155000/0 | 4 | DADO | NUT | ECROU | MUTTER |
| 303 | 12523060/0 | 4 | RONDELLA | WASHER | RONDELLE | SCHEIBE |
| 304 | 22034508/0 | 4 | BOCCOLA | BUSH | DOUILLE | BÜCHSE |
| 305 | 81007326/0 | 4 | RUOTA Ø 170 | WHEEL Ø 170 | ROUE Ø 170 | RAD Ø 170 |

VARIANTE REGOLAZIONE RUOTE

WHEEL ADJUSTMENT VARIANT

VARIANTE REGLAGE ROUES

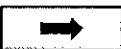
RADEINSTELLVARIANTE



D-3614/H

T-3614/H

| | | | | | | |
|-----|------------|---|----------|--------|----------|----------|
| 351 | 12691900/0 | 4 | VITE | SCREW | VIS | SCHRAUBE |
| 352 | 12523060/0 | 4 | RONDELLA | WASHER | RONDELLE | SCHEIBE |



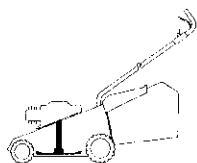
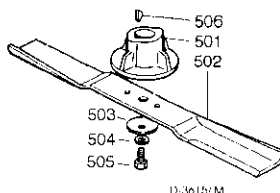
| Pos. Nr. | Code Code Kodex | Q.tà Q.ty-Q.tè Menge | Descrizione | Description | Description | Beschreibung |
|----------|-----------------|----------------------|--------------------|-------------|--------------------|--------------|
| 353 | 22869650/ 0 | 4 | TUBO PER RUOTA | WHEEL TUBE | TUBE POUR ROUE | ROHR FÜR RAD |
| 354 | 22172420/ 0 | 4 | DISTANZIALE | SPACER | ENTRETOISE | DISTANZRING |
| 355 | 12523070/ 0 | 4 | RONDELLA | WASHER | RONDELLE | SCHEIBE |
| 356 | 12792611/ 0 | 4 | VITE | SCREW | VIS | SCHRAUBE |
| 357 | 22551513/ 0 | 2 | PIASTRA POSTERIORE | BACK PLATE | PLAQUE POSTÉRIEURE | HINTERPLATTE |
| 358 | 12583500/ 0 | 8 | GROWER | GROWER | GROWER | GROWER |
| 359 | 12293200/ 0 | 8 | DADO | NUT | ECROU | MUTTER |
| 360 | 22551511/ 0 | 2 | PIASTRA ANTERIORE | FRONT PLATE | PLAQUE ANTÉRIEURE | VORDERPLATTE |

GRUPPO COLTELLO

BLADE ASS.Y

GROUPE LAME

MESSERSATZ



T-3615/ M

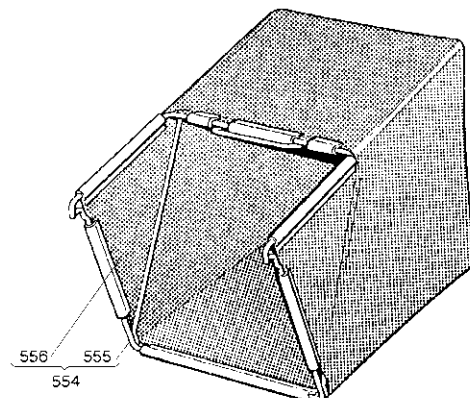
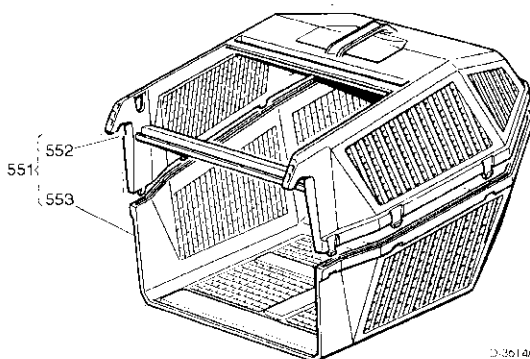
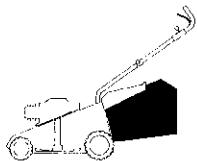
| | | | | | | |
|-----|-------------|---|-----------------|-----------------|--------------------|--------------------|
| 501 | 22463012/ 1 | 1 | MOZZO | HUB | MOYEU | HALTER |
| 502 | 81004360/ 2 | 1 | COLTELLO | BLADE | LAME | MESSER |
| — | 81004365/ 1 | 1 | STANDARD 39 cm. | STANDARD 39 cm. | STANDARD 39 cm. | STANDARD 39 cm. |
| — | 81004365/ 1 | 1 | STANDARD 44 cm. | STANDARD 44 cm. | STANDARD 44 cm. | STANDARD 44 cm. |
| 503 | 22160400/ 0 | 1 | DISCO ELASTICO | ELASTIC WASHER | RONDELLE ELASTIQUE | ELASTISCHE SCHEIBE |
| 504 | 12523080/ 0 | 1 | RONDELLA | WASHER | RONDELLE | SCHEIBE |
| 505 | 12735698/ 0 | 1 | VITE | SCREW | VIS | SCHRAUBE |
| 506 | 12139100/ 0 | 1 | LINGUETTA | FEATHER | CLAVETTE | KEIL |

SACCO RACCOGLIERBA

GRASS-CATCHER

BAC DE RAMASSAGE

GRASFANGKORB



T-3614/ N

| | | | | | | |
|-----|-------------|---|--------------------|----------------------|-----------------------|-----------------|
| 551 | 98005000/ 1 | 1 | SACCO COMPLETO | COMPLETE GRASS-BOX | SAC COMPLET | KOMPLETTER KORB |
| 552 | 22486076/ 0 | 1 | PORTE SUP. SACCO | UPPER GRASS BOX | PARTIE SUP SAC | OBERSKORB |
| 553 | 22486077/ 0 | 1 | PORTE INF. SACCO | LOWER GRASS BOX | PARTIE INF. SAC | UNTERS KORB |
| 554 | 98004000/ 0 | 1 | ASS. SACCO IN TELA | CANVASS GRASSCATCHER | ENSEMBLE SAC EN TOILE | KOMPLETTER SACK |
| 555 | 81006408/ 0 | 1 | TELAIO | CHASSIS | CHÂSSIS | RAHMEN |
| 556 | 81002105/ 2 | 1 | TELA SACCO | FABRIC BOX | TOILE POUR SAC | TUCK FÜR SACK |