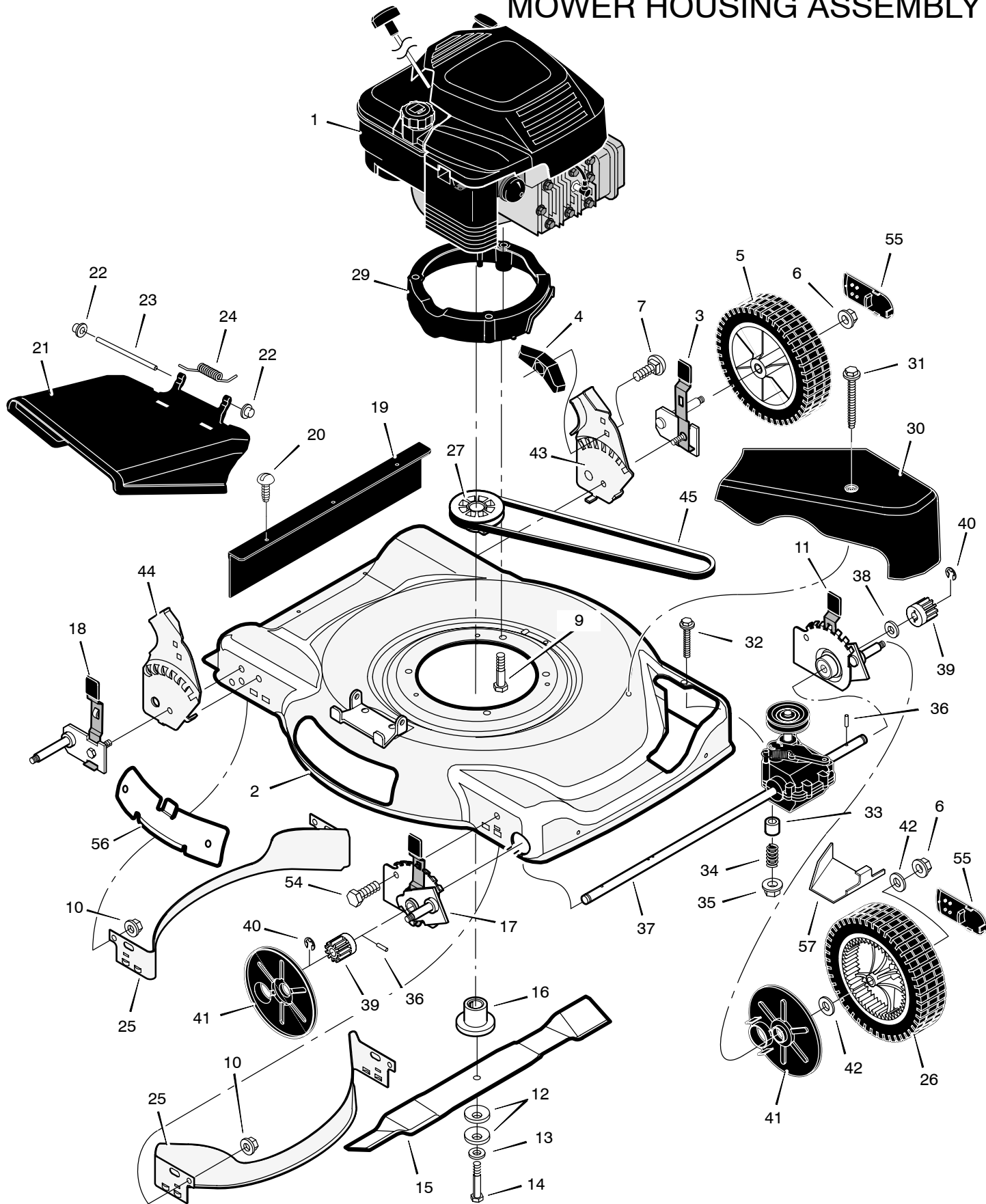


226110x52A

MOWER HOUSING ASSEMBLY



226110x52A

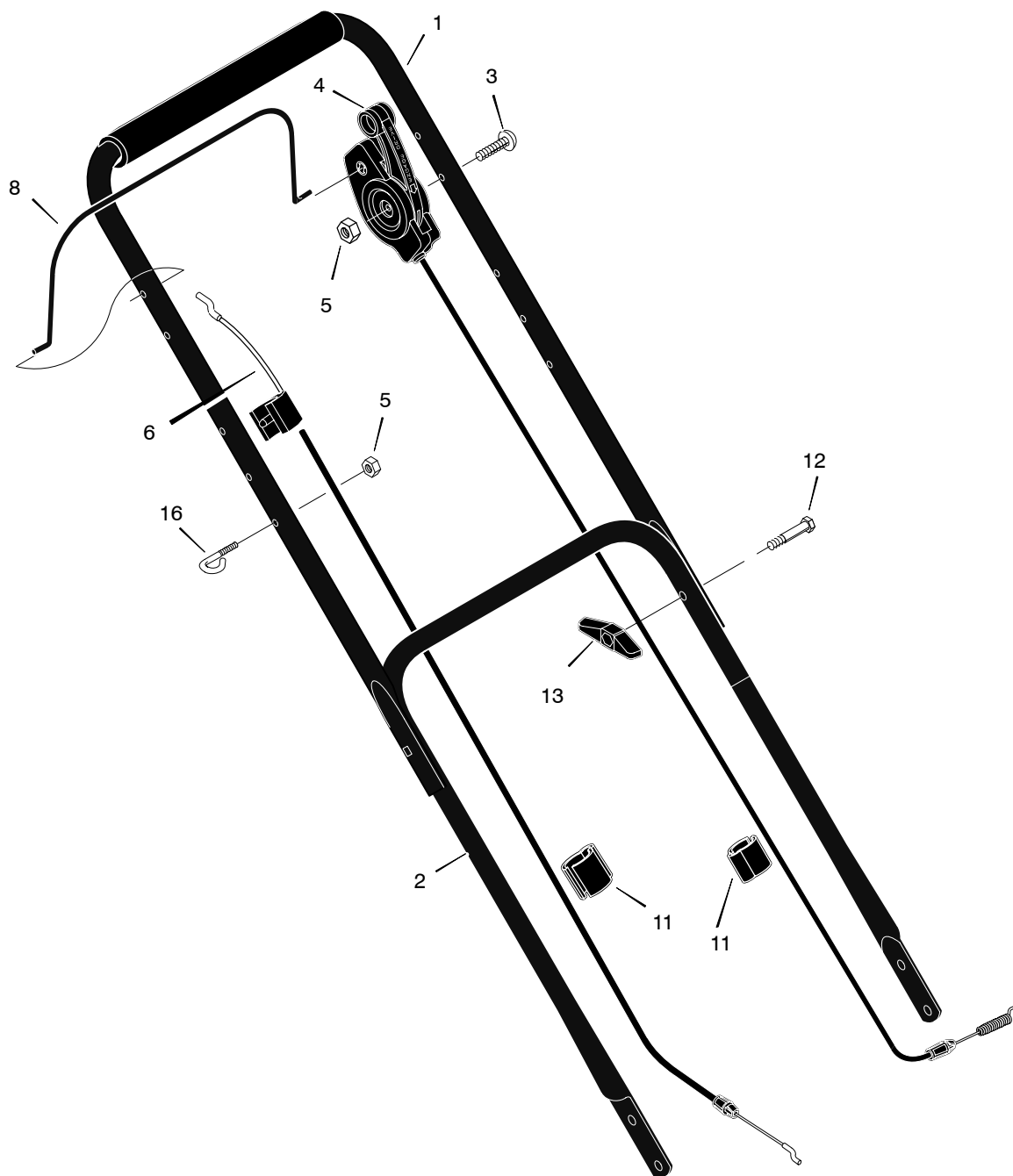
MOWER HOUSING ASSEMBLY

1	————	Engine *	27	1101653	Pulley
2	776023	Housing	29	1101786 1101787	Base, Engine (Black) Base, Engine (Gray)
3	672641	Height Adjuster, Left Rear	30	1101830 1101831	Cover, Belt (Black) Cover, Belt (Gray)
4	071495	Knob	31	26x313	Screw
5	071132	Wheel and Tire, Rear	32	01x118	Bolt
6	015x84	Locknut, Flange	33	043844	Spacer
7	002x81	Bolt, Carriage	34	164x27	Spring
9	025x11	Bolt, Engine	35	015x88	Nut
10	015x68	Nut	36	043629	Pin, Drive
11	672643	Height Adjuster, Left Front	37	1101571	Transmission – Note: There are no internal serviceable parts for the transmission.
12	17x137	Washer, Belleville	38	17x186	Washer
13	17x124	Washer	39	071792	Gear, Pinion
14	01x148	Bolt, Hex	40	011x16	E–Ring
15	1101120E701	Blade	41	071780	Cover, Dust
16	672094	Adapter, Blade	42	17x169	Washer
17	672642	Height, Adjuster, Right Frt.	43	1101303E700	Bracket, Left Handle
18	672640	Height, Adjuster, Right Rr.	44	1101302E700	Bracket, Right Handle
19	672738	Guard, Rear	45	37x123	Belt, Briggs & Stratton
20	26x245	Screw	54	001x85	Bolt
21	672421	Deflector, Chute	55	043615	Hub Cap
22	028x42	Push–On Cap	56	672422 Z	Plate, Mulch – <i>Optional</i>
23	215x11 Z	Pin, Pivot	57	1101961	Cover, Transmission
24	0166x5	Spring	–	F–040435L	Book, Instruction
25	672744E701	Baffle +			
26	071133	Wheel and Tire, Drive			

* For information on Replacement Parts for this engine contact the manufacturer.

+ Included with Housing, Key No. 1.

HANDLE ASSEMBLY



1	1101557E701 1101557E724	Handle, Upper (Black) Handle, Upper (Gray)	6	1101365	Cable, Stop
2	672906E701 672906E724	Handle, Lower (Black) Handle, Lower (Gray)	8	1101076E701	Lever, Stop
3	025x14	Bolt	11	1101353	Fastener, Cable
4	1101670	Control, Drive	12	002x77	Bolt
5	15x116	Locknut	13	071294	Knob
			16	071530	Guide, Rope