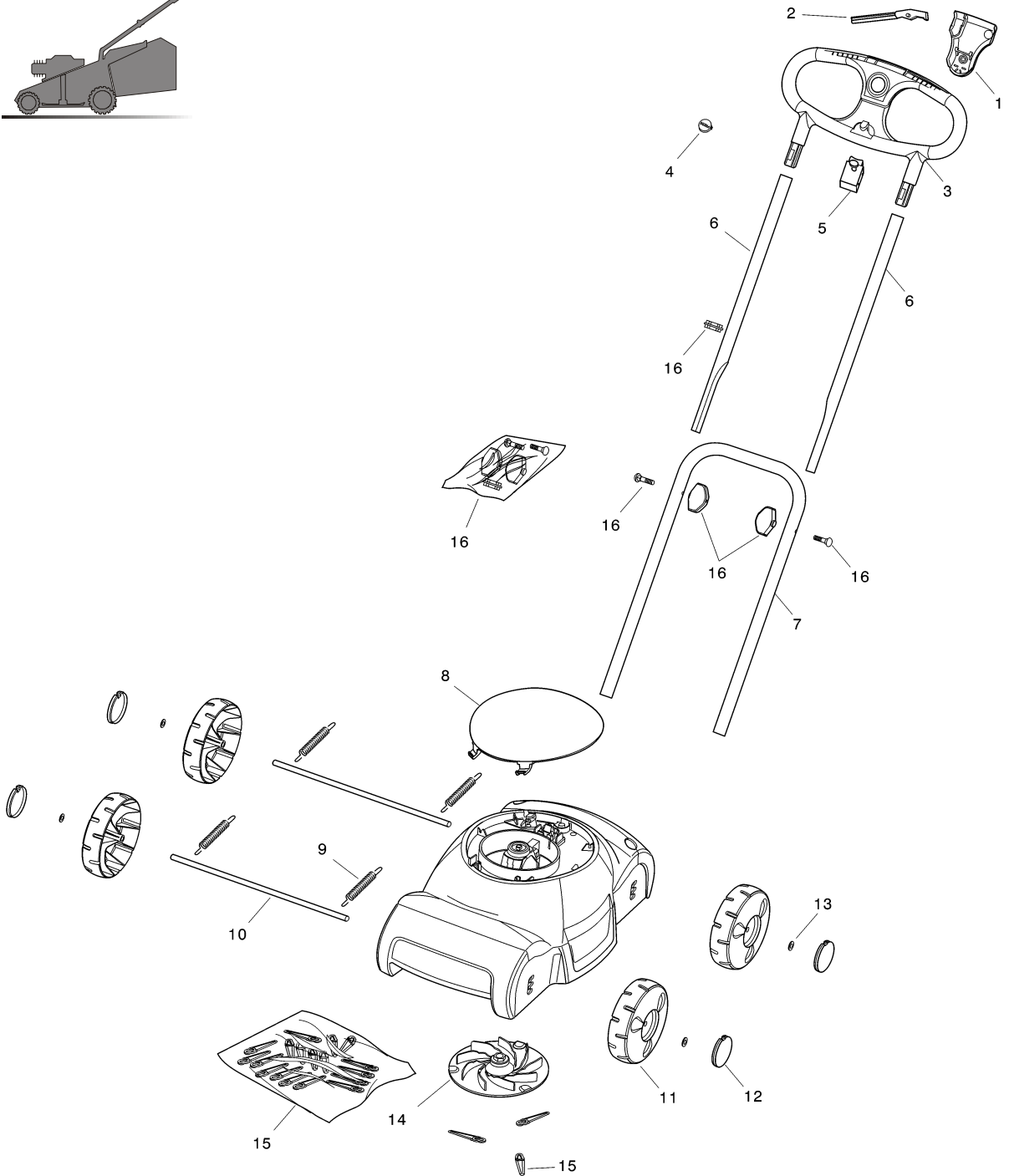


00D\_D310



Pos.	Code	Q.ty	Descrizione	Description	Description	Beshreibung	Remarks
1	22109534/0	1	COPERCHIO, INTERRUOTORE	COVER, SWITCH	COUVERCLE, ITERRUPTEUR	DECKEL, SCHALTER	
2	22321704/0	1	LEVA, INTERRUOTORE	LEVER, SWITCH	LEVIER, INTERRUPTEUR	HEBEL, SCHALTER	
3	22291040/0	1	IMPUGNATURA MANICO	HANDGRIP	POIGNÉE	HANDGRIFF	
4	22601085/0	1	TAPPO	CAP	BOUCHON	GUMMISTOPFEN	
5	18450069/0	1	INTERRUPTORE	SWITCH	INTERRUPTEUR	SCHALTER	
6	81006606/0	2	MANICO, PARTE SUP	HANDLE, UPPER PART	MANCHERON, PARTIE SUPERIEURE	HOLM, OBERTEIL	
7	81006605/0	1	MANICO, PARTE INF	HANDLE, LOWER PART	MANCHERON, PARTIE INFERIEURE	HOLM, UNTERTEIL	
8	22055089/0	1	CAPOTTINA	COVER	CAPOT	HAUBE	
9	22430320/0	4	MOLLA	SPRING	RESSORT	FEDER	

## GLOBAL GARDEN PRODUCTS

Pos.	Code	Q.ty	Descrizione	Description	Description	Beshreibung	Remarks
10	22033371/0	2	COPRIMOZZO	HUB CAP	COUVRE-MOYEU	RADKAPPE	
11	22686088/0	4	RUOTA	WHEEL	ROUE	RAD	
12	22110359/0	4	COPRIMOZZO	HUB CAP	COUVRE-MOYEU	RADKAPPE	
13	12604899/0	4	FISSATORE A CORONA	CROWN FASTENER	FIXATEUR A COURONNE	KRONESCHEIBE	
14	81245000/0	1	GIRANTE	FAN	VENTILATEUR	LÜFTER	
15	81008655/1	1	DOTAZIONE LAME	OUTFIT, BLADES	DOTATION LAMES	SATZ, MESSER	(18)
16	81008656/0	1	DOTAZIONE VITERIA	OUTFIT, SCREWS	DOTATION VISSERIE	SATZ, SCHRAUBEN	