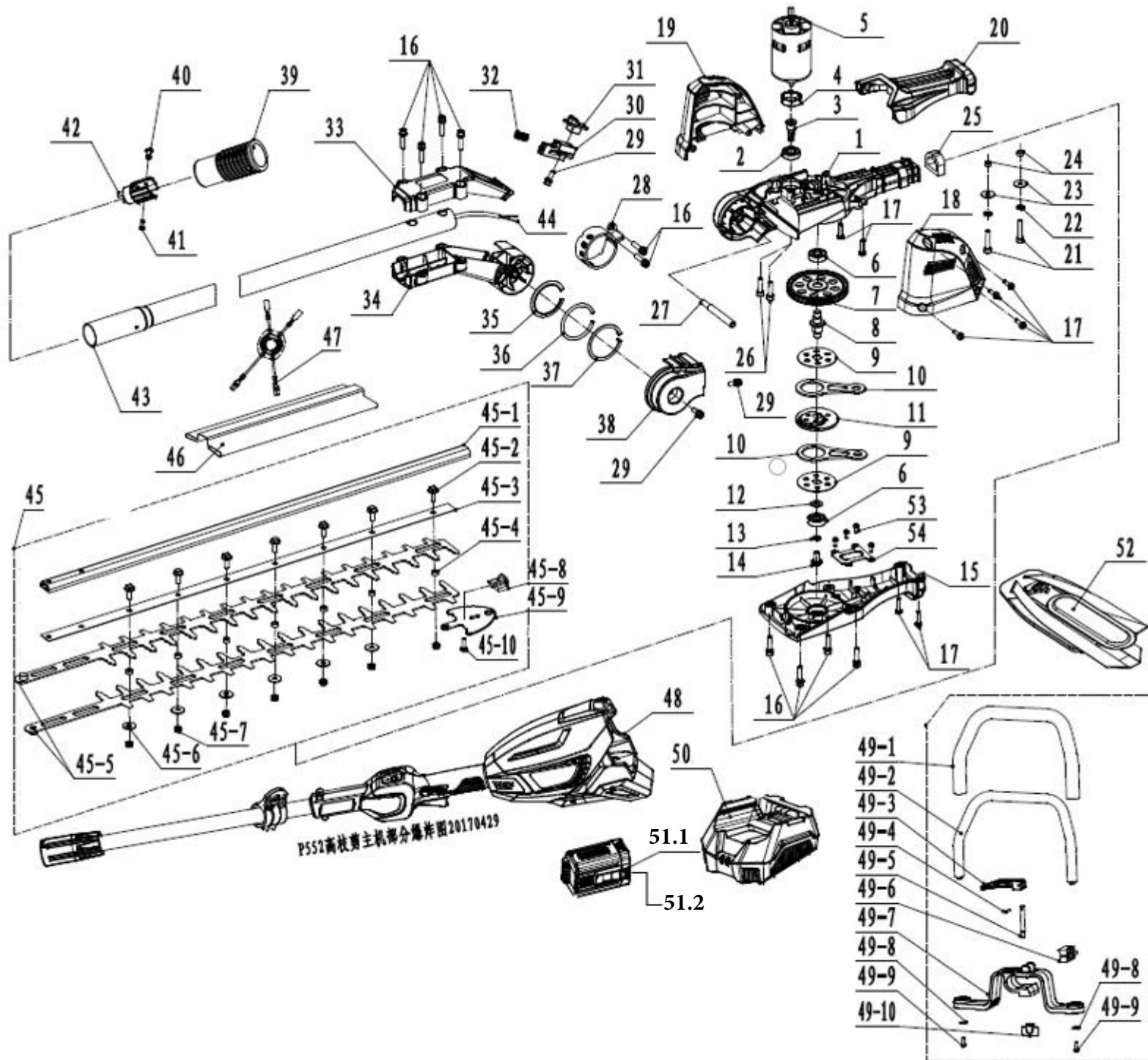


Model: PHZ 5800

Part Number: 90070044

Year: 2019

POS	QTY	PARTNUMBER	BESKRIVELSE	DESCRIPTION
1	1	441635	TOP DÆKSEL FOR TERMINAL	G511 SOCKET TOP COVER
2	2	441636	TERMINAL	G511 SOCKET TERMINAL
3	1	441637	BUNDDÆKSEL FOR TERMINAL	G511 SOCKET LOWER COVER
4	1	441638	SKRUE ST3,5X6	SCREW ST3.5*6
5	2	441639	NAGLE 4X13	RIVENT 4*13
6	1	441640	SAMLELED INDVENDIG	G511 ALUMINUM TUBE LINK LOCATING RING
7	1	441641	STRAMMEKRAVE	G511 ALUMINUM TUBE LINK OUTSIDE LOCK COV
8	1	441642	KRYMPERØR	G511 HANDLE SPONGE CASING Ø24*Ø34*200
9	1	441643	BESLAG FOR SELE	G5302 HARNESS CLAMP
10	1	441644	PLASTIK BESLAG	G5302 PLASTIC LINER
11	1	441645	KLEMMEBESLAG	G5302 CLAMP
12	1	441646	MØTRIK M5	SCREW M5
13	2	441647	BOLT M5X20	SCREW M5*20
14	1	441648	ALURØR	G511 MAIN ENGINE ALUMINUM TUBE
15	1	441649	INDERKABEL	G511 MAIN ENGINE
16	2	441650	O-RING 25X3,65	RING SEAL 25*3.65
17	1	441651	BESLAG	G511 BRUSH CONTROLLER ASS'Y
18	2	441652	KONTAKT	G511 SHOCK ABSORBER
19	1	441653	STØDDÆMPER	G511 SPEED-CONTROL SWITCH
20	1	441654	STARTERHÅNDTAG	G511 TRIGGER
21	1	441655	BATTERIKONSOL	C501 BATTERY BUNKER SOCKET
22	3	441656	STIK	C501 PLUG
23	2	441657	FJEDER	B521 BATTERY BUNKER SPRING
24	2	441658	SELVLÅSENDE KONTAKT	C501 BATTERY PACK RESET PILLAR
25	2	441659	KNAP	DB521 MICRO BUTTON
26	1	441660	DÆKSEL VENSTRE	G511 LEFT COVER
27	1	441661	STOPKONTAKT	G511 RESET COVER
28	1	441662	STOP FJEDER	C501 RESET SPRING
29	1	441663	TOP DÆKSEL	G511 DECORATIVE COVER
30	1	441664	BESLAG VENSTRE	G511 LEFT BRACKET
31	1	441665	DÆKSEL HØJRE	G511 RIGHT COVER
32	1	441666	BESLAG HØJRE	G511 RIGHT BRACKET
33	17	441667	SKRUE ST3,9X16	SCREW ST3.9*16



POS	QTY	PARTNUMBER	BESKRIVELSE	DESCRIPTION
1	1	441795	GEARKASSE	P552 GEAR BOX
2	1	441724	LEJE Ø10X22X6	BEARING ?10X?22X6 (61900)
3	1	441723	GEAR	DRIVING GEAR
4	1	441722	BESPÆNDINGRING FOR MOTOR	MOTOR FIXED RING
5	1	441721	MOTOR	BRUSH MOTOR
6	2	441796	KUGLELEJE 608	608 BEARING
7	1	441726	DRIVAKSEL	DRIVEN GEAR
8	1	441727	AKSEL FOR GEAR	GEAR SHAFT
9	2	441728	PAKNING	GASKET
10	2	441729	PLEJLSTANG	CONNECTING ROD
11	1	441730	TANDHJUL FOR KNIVTRÆK	ECCENTRIC WHEEL
12	1	441797	PAKNING	GASKET Ø8.3*Ø13*1.0
13	1	441798	PAKNING	GASKET Ø6
14	1	441732	FJEDERSKIVE Ø6	SCREW M6X12
15	1	441799	GEARHUS BUND	P552 UNDER COVER
16	10	441800	BOLT M5X16	SCREW M5*16
17	8	441801	SKRUE 3,9X16	SCREW ST3.9*16-F
18	1	441802	COVER HØJRE	P552 RIGHT COVER
19	1	441803	COVER VENSTRE	P552 LEFT COVER
20	1	441804	COVER TOP	P552 UPPER COVER
21	2	441805	BOLT M5X25	SCREW M5*25
22	2	441739	FJEDERSKIVE Ø5	SPRING WASHER ?5
23	2	441738	SKIVE Ø5,1XØ16X1,5	WASHER ?5.1X?16X1.5
24	2	441737	BØS	BLADE SLEEVE
25	1	441734	PAKNING VED SVÆRD	DUST BAIZE
26	1	441647	BOLT M5X20	SCREW M5*20
27	1	441806	AKSEL	P552 SHAFT
28	1	441807	BUND	P552 ROTARY PEDESTAL
29	3	441808	BOLT M5X13	SCREW M5*13
30	1	441809	BOLT	P552 BOLT PEDESTAL
31	1	441810	BUND	P552 BUTTON OF BOLT
32	1	441662	STOP FJEDER	C501 RESET SPRING
33	1	441811	DÆKSEL	P552 UPPER COVER OF FIXED TUBE
34	1	441812	DÆKSEL	P552 UNDER COVER OF FIXED TUBE
35	1	441813	FRIKTIONSPLADE	P552 GASKET OF FRICTION PLATE
36	1	441814	RING GUMMI	P552 DAMPING RUBBER
37	1	441815	FRIKTIONSPLADE	P552 FRICTION PLATE
38	1	441816	COVER VENSTRE	P552 LEFT COVER OF GEAR BOX
39	1	441668	ALURØR INDVENDIG	G511 ALUMINUM TUBE LINK INSIDE LOCK COVE
40	1	441639	NAGLE 4X13	RIVENT 4*13
41	1	441670	NAGLE 3X10	RIVET 3*10
42	1	441817	ENDESTYKKE	G551 ALUMINUM TUBE LINK SOCKET
43	1	441818	RØR	P552 OPERATING ALUMINUM TUBE
44	1	441819	LEDNING	P552 OPERATION WIRE

POS	QTY	PARTNUMBER	BESKRIVELSE	DESCRIPTION
45	1	441820	SKÆR KOMPLET	P552 BLADE ASSEMBLY
45.1	1	441821	BÆRESKINNE	P552 FRAME OF BLADE
45.2	7	441822	BOLT M5X14	SCREW M5*14
45.3	1	441823	SKINNE	P552 GASKET OF BLADE
45.4	7	441737	BØS	BLADE SLEEVE
45.5	2	441824	SKÆR	P522 BLADE
45.6	7	441825	SKIVE	GASKET Ø5*Ø16*1.5
45.7	7	441826	MØTRIK M5	SCREW M5
45.8	1	441827	SKIVE	P552 WASHER OF BLADE HEAD
45.9	1	441828	BESKYTTER	P552 BLADE HEAD
45.10	1	441829	SKRUE 3,9X14	SCREW ST3.9*14
46	1	441830	BESKYTTER FOR SKÆR	P552 BADGE SHEATH
47	1	441831	LEDNING	P552 COMMON MODE CHOKE
48	1	441832	HUS	P552 MAIN ENGINE
49.1	1	441695	SKUMGREB	HANDLE SPONGE
49.2	1	441696	HÅNDTAG MED SKUM	HANDLE W/FOAM
49.3	1	441697	GAS GREB	G511 SPEED WRENCH
49.4	1	441698	SPLIT Ø3,0X20	PIN Ø3.0*20
49.5	1	441699	SPLITBOLT	G511 LOCKING LEVER
49.6	1	441700	AFSTANDSSTYKKE	G511 FILLER BLOCK
49.7	1	441701	MONTERING FOR HÅNDTAG	G511 HANDLE SEAT
49.8	2	441702	PAKNING Ø5,2XØ12,8X1,5	GASKET Ø5.2*Ø12.8*1.5
49.9	2	441703	SKRUE S0T4,8X16-F	SCREW ST4.8*16-F
49.10	1	441704	KNAP	G511 HAND FIXED KNOB
50	1	90070054	LADER 58V	CHARGER
51.1	1	90070051	BATTERI 58V/2.0AH	BATTERY
52.2	1	90070052	BATTERI 58V/4.0AH	BATTERY 58V/4.0AH
52	1	441794	SELE	SHOULDER STRAP (MATCHING)
53	1	441833	SKRUE 3,9X8	SCREW ST3.9*8-F
54	1	441834	PLADE	P552 CONNECTING ROD LIMIT PLATE