

SABRE®

- ⓐ PARTS LIST
- ⓑ LISTE DE PIÉCES
- ⓒ TEILELISTE
- ⓓ LISTA DE PIEZAS
- ⓔ ELENCO DELLE PARTI

HTS-43 UT18014B
HTS-53 UT18021B

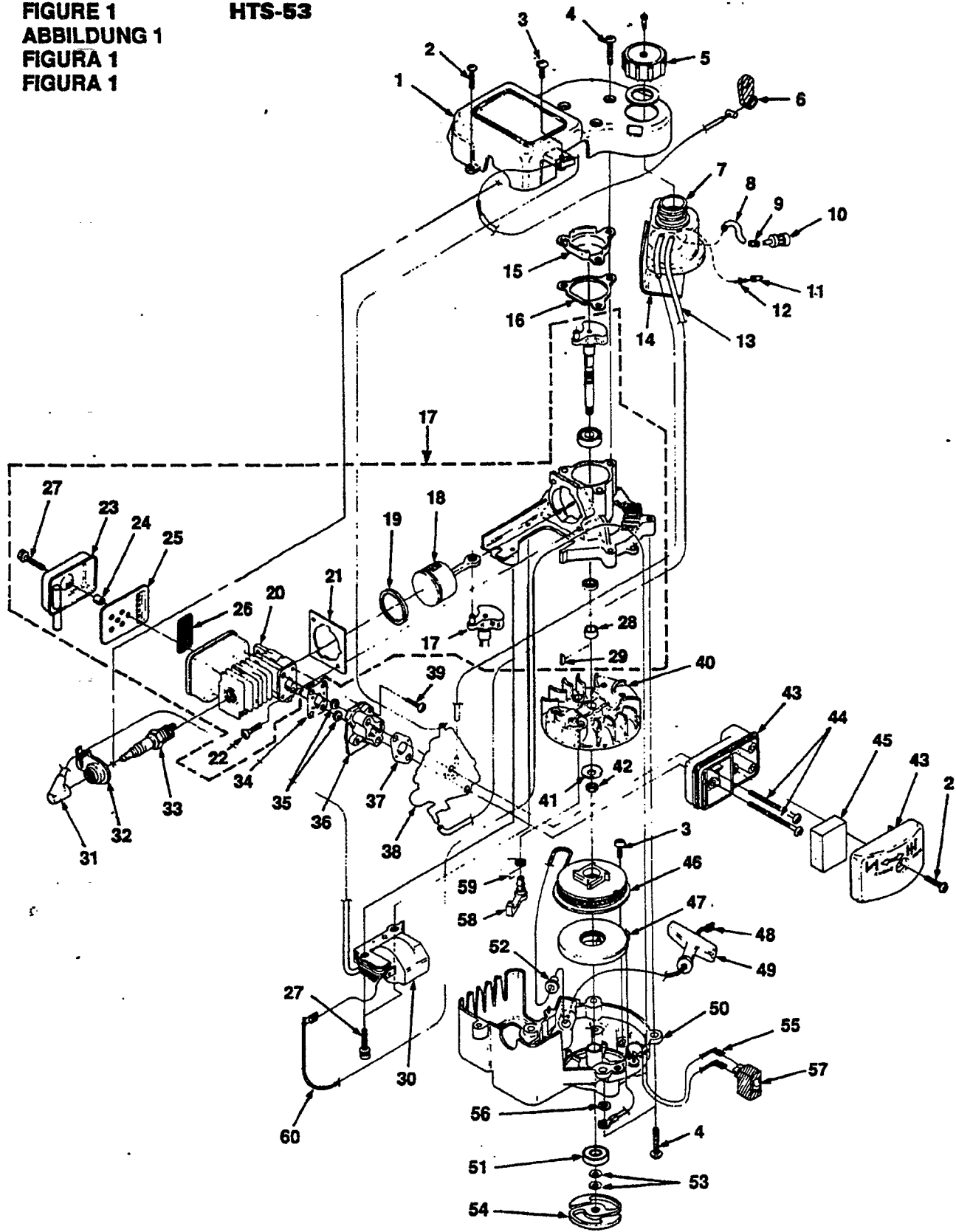
Uden Bremse



- ⓐ Printed in U.S.A.
 - ⓑ Imprimé aux E.-U.
 - ⓒ Gedruckt in U.S.A.
 - ⓓ Impreso en EE.UU.
 - ⓔ Stampato negli Stati Uniti
- P/N 18843-A

FIGURE 1
FIGURE 1
ABBILDUNG 1
FIGURA 1
FIGURA 1

HTS-43
HTS-53



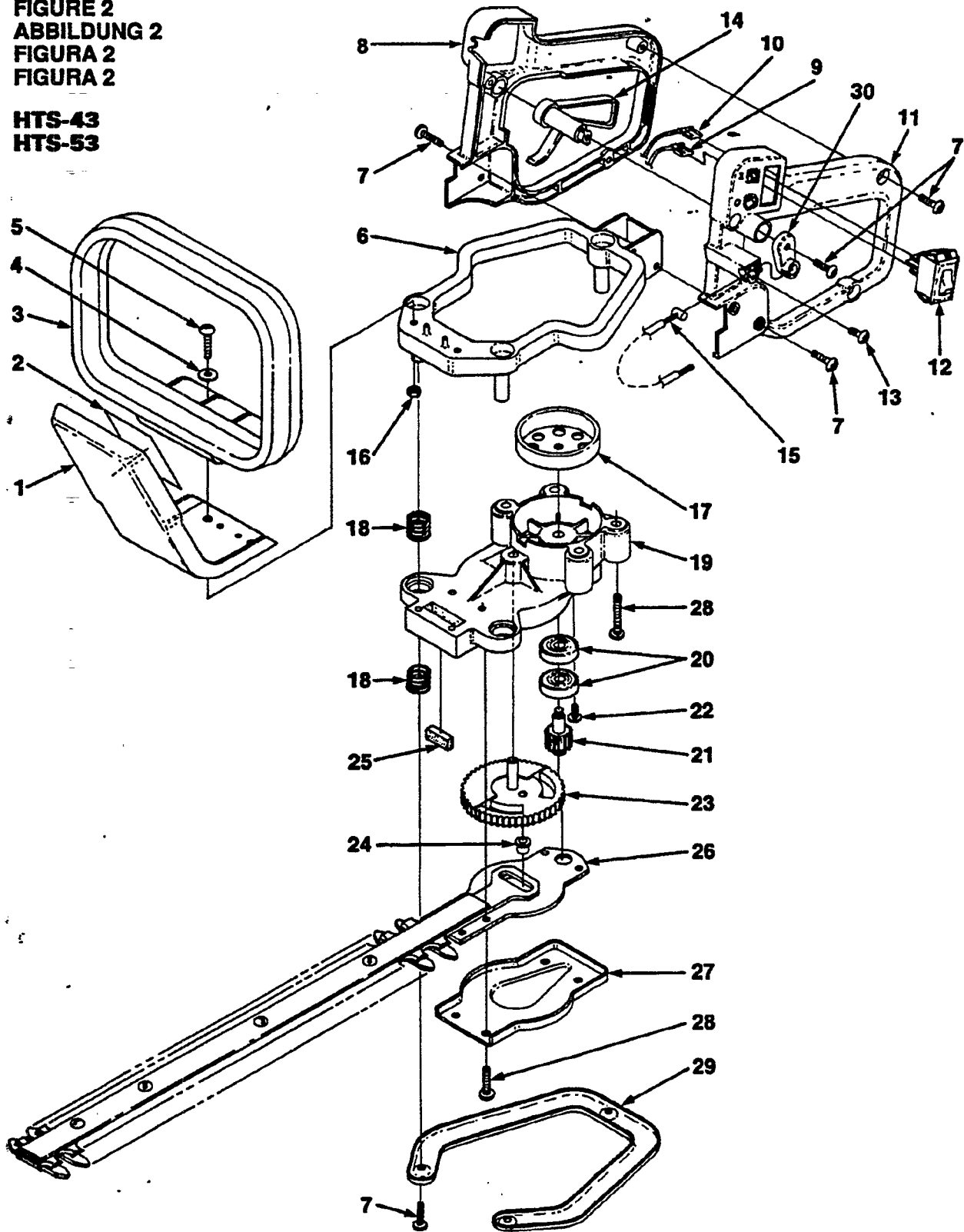
No. No. Nr. No. N°	Part No. No. de piece Best.-Nr. No. de Pieza Pezzo N°	Description	Qty. Qts. Menge Cant. Qts.	No. No. Nr. No. N°	Part No. No. de piece Best.-Nr. No. de Pieza Pezzo N°	Description	Qty. Qts. Menge Cant. Qts.
1	A-01664-3	HOUSING - Crankcase	1	35	81208	NUT - (10-24)	2
2	82536	SCREW-Thread Form. (#8 x 3/4")	2	36	00917-B	HEAT DAM	1
3	82541	SCREW-Thread Form. (#10 x 1/2")	2	37.	98766-A	GASKET - Carburetor	1
4	82538	SCREW-Thread Form. (#10-24 x 3/4")	7	38	A-00962-A	CARBURETOR (WALBRO)	1
5	A-00982-A	CAP - Fuel	1		A-00933-B	CARBURETOR (ZAMA)	1
6	00959	LEVER - Trigger	1	39	82549-1	SCREW - Tapite (10-24 x 1")	2
7	• A-04270	FUEL TANK ASSY.	1	40	00923	ROTOR	1
8	94772-24	TUBING - Rubber (6")	1	41	01325	WASHER - Conical	1
9	98268	CLAMP - Wire	1	42	81191	NUT - Hex (7/16-20)	1
10	49422	FILTER - Fuel	1	43	A-00335	HOUSING - Air Filter	1
11	98819	VALVE - Filter	1	44	04474	SCREW - (10-24 x 2 1/4")	2
12	01327	FITTING	1	45	00834	FILTER - Air	1
13	94772-22	TUBING - Rubber (5 1/2")	1	46	00924	PULLEY - Starter	1
14	00927-A	SPACER - Fuel Tank	1	47	A-97908	SPRING & CONTAINER	1
15	01836	COVER - Crankcase	1	48	97899-02	ROPE - Starter	1
16	00946	GASKET - Crankcase	1	49	02264	GRIP - Starter Rope	1
17	• A-02069-A	SHORT BLOCK	1	50	A-01664-3	HOUSING - Engine (Yellow)	1
18	• A-01014-C	PISTON & ROD	1	51	98843	BEARING - Ball	1
19	00915	RING - Piston	1	52	96981-1A	BUSHING - Starter	1
20	• A-01523-B	CYLINDER & MUFFLER	1	53	70788	WASHER - Belleville	2
21	02059	GASKET - Cylinder	1	54	03588-1	CLUTCH - (S)	1
22	82540	SCREW - Tapite (8-32 x 1")	3	55	A-00943	LEAD - Ground	1
23	A-01838	COVER - Muffler	1	56	84003	WASHER - Flat (#10)	1
24	00931	SPACER - Muffler	1	57	02497	SWITCH	1
25	00920	BAFFLE - Muffler	1	58	00928	PAWL - Starter	1
26	00921	SCREEN - Spark Arrestor	1	59	00929	SPRING - Torsion	1
27	82568	SCREW-Mech. Pan Hd. (#10-24 x 3/4")	3	60	A-00942	LEAD - Electric	1
28	01971	SPACER	1				
29	69250	KEY - Woodruff	1				
30	94711-CS	MODULE - Ignition	1				
31	A-02597	SPARK PLUG BOOT KIT	1				
32	01010-A	SHIELD - Spark Plug	1				
33	79252	SPARK PLUG (RDJ-7Y)	1				
34	00932-A	GASKET - Heat Dam	1				

- **ASSEMBLIES**
- **ENSEMBLES**
- **BAUSATZE**
- **CONJUNTOS**
- **COMPLESSI**

- Your original carburetor may be identified as Walbro or Zama. Either replacement type will work with your hedge trimmer.
- La marque de votre carburateur d'origine peut être soit Walbro, soit Zama. Ces deux types peuvent être utilisés sur votre taill-herbes.
- Ihr Original-Vergaser kann ein Walbro oder Zama sein. Als Ersatzteil für Ihre Heckenschere passen beide Typen.
- El carburador original puede ser de Walbro o Zama. Ambos tipos de carburador de repuesto funcionaran con su podadora.
- Il carburatore originale potrebbe essere identificato dalle diciture Walbro o Zama. Entrambi i tipi di ricambio funzionano con il tosabordo in dotazione.

FIGURE 2
FIGURE 2
ABBILDUNG 2
FIGURA 2
FIGURA 2

HTS-43
HTS-53



No. No. Nr. No. N°.	Part No. No. de pièce Best.-Nr. No. de Pieza Pezzo N°.	Description	Qty. Qté. Menge Cant. Qtà.
1	01972	GUARD - Hand	1
2	02916-A	DECAL - Warning	1
3	00936-A	HANDLE - Front	1
4	95249	WASHER - Flat (10-24)	2
5	82538	SCREW - Tapite (10-24 x 3/4")	2
6	01007	BASE - Vibration Isolator	1
7	82536	SCREW - Plastite (#8 x 3/4")	11
8	00938	HANDLE - Rear (right)	1
9	A-00942	LEAD - Electrical	1
10	A-00943	LEAD - Ground	1
11	00939	HANDLE - Rear (left)	1
12	02497	SWITCH	1
13	82541	SCREW - Plastite (#10 x 1/2")	2
14	00958-A	TRIGGER	1
15	01973	CABLE - Throttle	1
16	81208	NUT Lock, Hex (10-24)	2
17	00949-A	DRUM - Clutch	1
18	01009	SPRING - Compression	6
19	A-01525	GEAR BOX ASSEMBLY	1
20	98843	BEARING - Ball	2
21	A-01313	PINION & SCREW ASSY.	1
22	82541	SCREW - plastite (#10 x 1/2")	1
23	A-01312	GEAR & PIN ASSY.	1
24	00955	BUSHING	1
25	00935	BLADE SEAL	1
26	A-00956-A	BLADE ASSY. (HTS-43)	1
	A-01841-A	BLADE ASSY. (HTS-53)	1
27	00954	COVER - Gear box	1
28	82537	SCREW - Plastite (#10 x 7/8")	10
29	01013	BRACE	1
30	00959	LEVER - Trigger	1

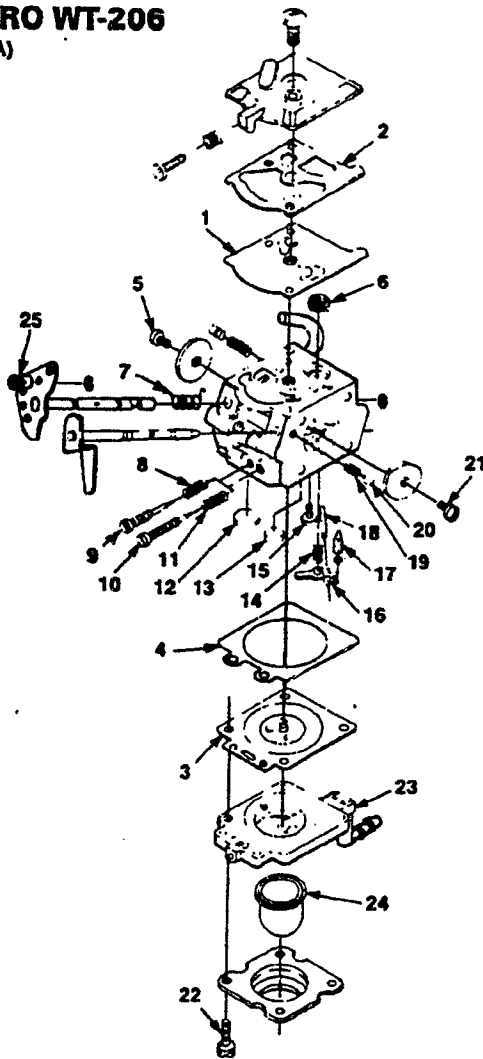
- ASSEMBLIES
- ENSEMBLES
- BAUSATZE
- CONJUNTOS
- COMPLESSI

FIGURE 3
 FIGURE 3
 ABBILDUNG 3
 FIGURA 3
 FIGURA 3
 HTS-43
 HTS-53

**CARBURETORS
 CARBURATEURS
 VERGASER
 CARBURADORES
 CARBURATORI**

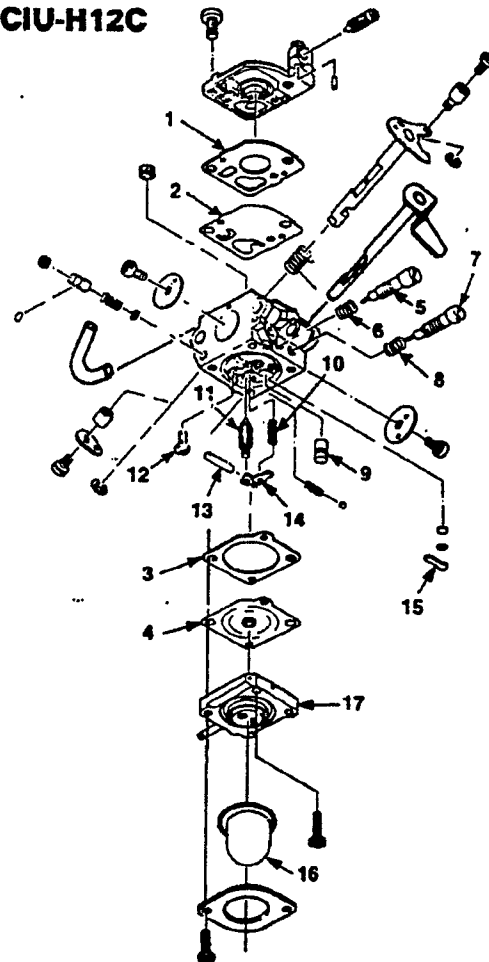
When ordering parts, refer to the manufacturer's name (Walbro or Zama) and use the correct Parts List.
 Lorsque vous commandez des pièces de rechange, trouvez le nom du fabricant (Walbro ou Zama) et utilisez la liste de pièces de rechange correcte.
 Bei der Bestellung von Ersatzteilen bitte den Hersteller (Walbro oder Zama) beachten, und die richtige Ersatzteilliste benutzen.
 Al momento di ordinare pezzi di ricambio, fare riferimento al nome del fabbricante (Walbro o Zama) ed usare l'elenco corretto dei pezzi di ricambio.
 Al pedir piezas de repuesto, búsqe el nombre del fabricante (Walbro o Zama) y use la lista de piezas de repuesto correspondiente.

WALBRO WT-206
 (A-00962-A)



NO.	PART NO.	DESCRIPTION
1-4	A-00285-A	GASKET KIT
1-22	A-02911	REPAIR KIT
23	A-02894	PRIMER BASE KIT
24	01201	PRIMER BULB
25	A-00289	SWIVEL KIT

ZAMA CIU-H12C
 (A-00933-B)



NO.	PART NO.	DESCRIPTION
1-4	A-03980	GASKET/DIAPHRAGM KIT
1-15	A-03166	REPAIR KIT
16	A-01195-A	PRIMER BULB
17	02934	PRIMER BASE KIT (Plastic)*
	01784	PRIMER BASE KIT (Aluminum)*

- * Primer base kits are not interchangeable.
- * Les jeux de base d'amorçage ne sont pas interchangeables.
- * Sockelsätze für die Vorpumpe sind nicht austauschbar.
- * I kit della base del cicchetto non sono intercambiabili.
- * Los juegos de base de cebador no son intercambiables.