



PARTS LIST

HEDGE TRIMMERS

eHT600D

NOTE :

1. Use KOMATSU ZENOAH genuine parts specified in the parts list for repair and/or replacement.
2. KOMATSU ZENOAH does not warrant the machines, those which have been damaged by the use of any parts other than those specified by the company.
3. When placing orders of parts for repair and/or replacement, check if the model name and the serial number are suitable to those specified in the parts list, then use parts number described in the parts list.
4. The contents described in the parts list may change due to improvement.
5. The parts for the machine shall be supplied within ten (10) years after the machine is discontinued.
[It is possible that some specific parts may be subject to change of their delivery term and list price within the limit of ten (10) years after the machine is discontinued. And it is also possible that some parts may be available even after the limit of ten (10) years.]

Fig.2 eHT600D DRIVE UNIT

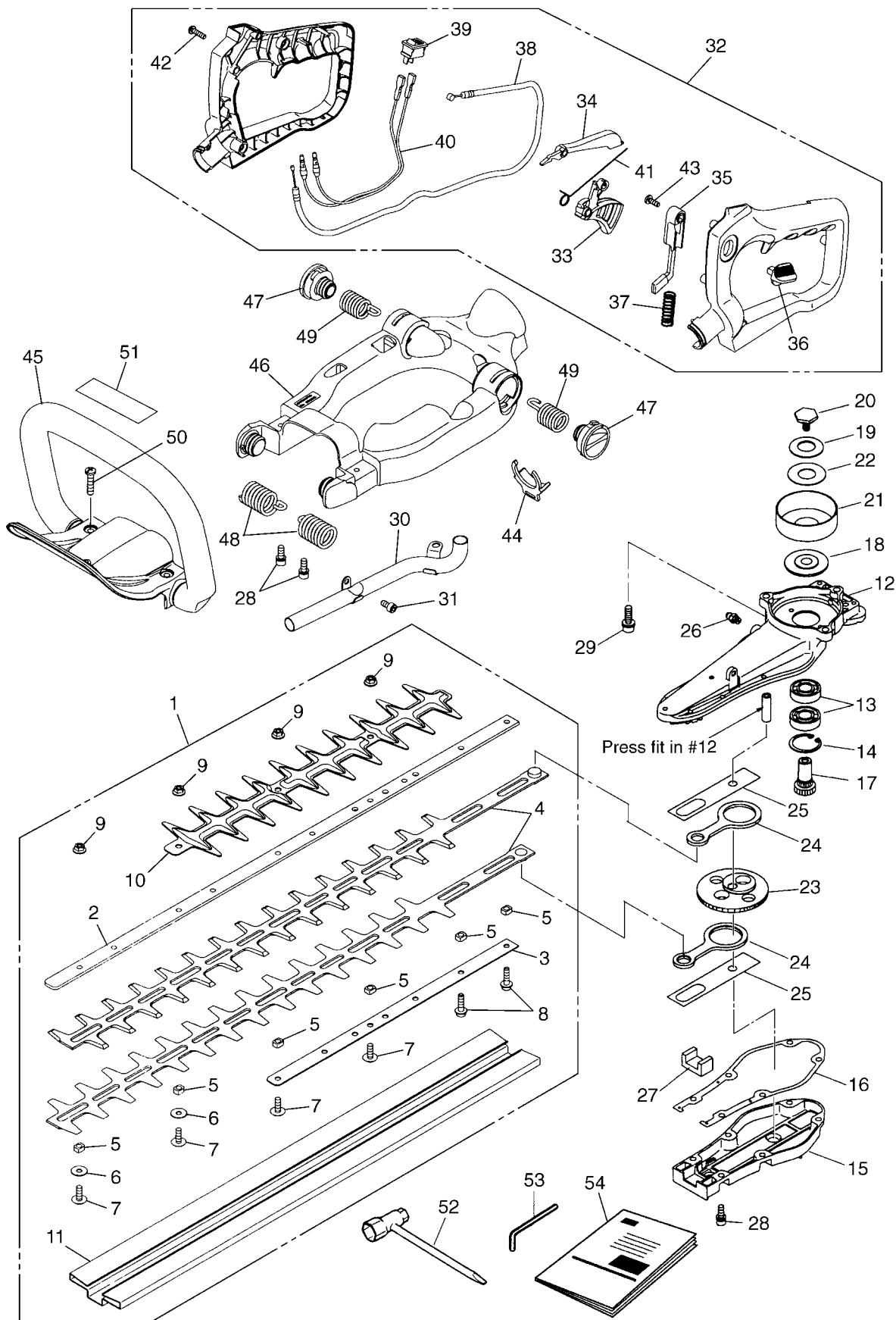


Fig.2 eHT600D DRIVE UNIT

Key#	PART NUMBER	DESCRIPTION	Q'TY /UNIT	NOTE	Key#	PART NUMBER	DESCRIPTION	Q'TY /UNIT	NOTE
1	T4520-11000	BLADE-ASSY	1		46	T4506-41110	FRAME	1	
2	T4513-11111	• PLATE, upper	1		47	T4506-41220	HOLDER-REAR	2	
3	T4503-11120	• PLATE, lower	1		48	T4506-41310	SPRING (F)	2	
4	T4506-11210	• BLADE	2		49	T4506-41320	SPRING (R)	2	
5	T4503-11310	• SPACER	6		50	2630-32610	SCREW	2	
6	T4503-11321	• WASHER	2		51	T4520-12210	LABEL	1	
7	T4520-11330	• SCREW	4		52	3320-91140	WRENCH	1	
8	T1000-13170	• BOLT	2		53	09007-00425	WRENCH	1	
9	1610-13120	• NUT	4		54	T4519-93110	MANUAL	1	
10	T4520-11240	• BLADE GUARD	1						
11	T4506-11230	• COVER, blade	1						
12	T4503-21100	GEARCASE-C	1						
13	06004-06001	BEARING	2						
14	04065-02812	RING	1						
15	T4503-21210	GEARCASE-BOTTOM	1						
16	T4503-21220	GASKET	1						
17	T4519-52110	GEAR-DRIVE	1						
18	T4503-52130	SPACER	1						
19	T4503-52140	WASHER	1						
20	T4503-52150	BOLT	1						
21	T4503-52120	DRUM	1						
22	T4503-52161	WASHER	1						
23	T4519-42210	GEAR	1						
24	T4503-42110	ROD	2						
25	T4503-42310	PLATE	2						
26	3199-13350	FITTING	1						
27	T4503-42410	FELT	1						
28	3310-31720	BOLT	10						
29	3544-11510	BOLT	3						
30	T4506-61110	PIPE-EXHAUST	1						
31	01252-30510	BOLT	1						
32	T4506-31002	HANDLE REAR-A	1						
33	T4506-31210	• LEVER-THROTTLE	1						
34	T4506-31310	• ARM	1						
35	T4506-31412	• LEVER-LOCK	1						
36	T4506-31420	• KNOB	1						
37	T4506-31430	• SPRING	1						
38	T4506-51110	• CABLE-C	1						
39	T4506-52110	• SWITCH	1						
40	T4506-52120	• CODE-C	1						
41	3356-33321	• SPRING	1						
42	2630-31950	• SCREW	5						
43	2630-33610	• SCREW	1						
44	T4506-31511	STOPPER	1						
45	T4506-32110	HANDLE-FRONT	1						

Fig.3 ENGINE (1)

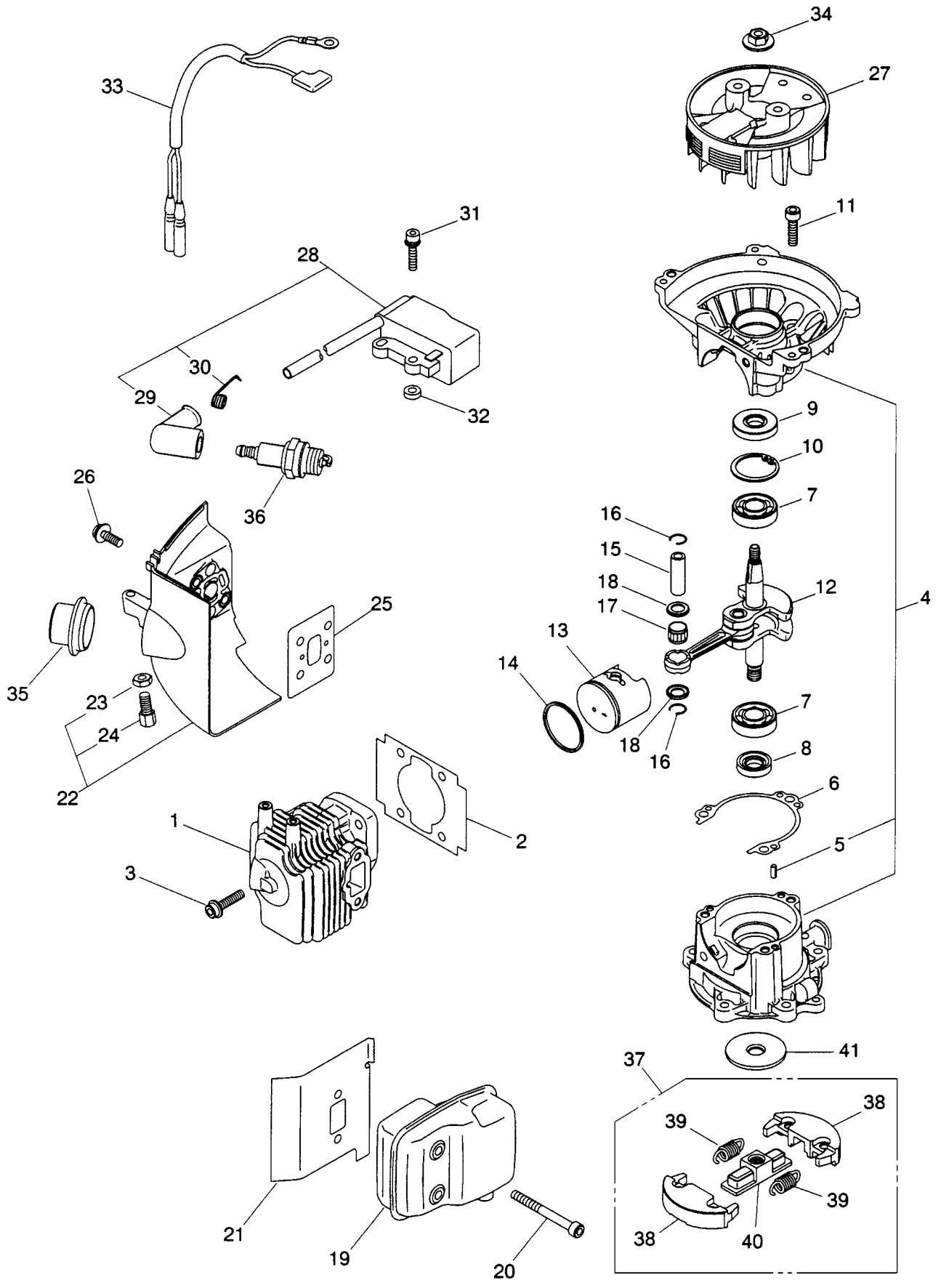


Fig.3 ENGINE (1)

Key#	PART NUMBER	DESCRIPTION	Q'TY /UNIT	NOTE	Key#	PART NUMBER	DESCRIPTION	Q'TY /UNIT	NOTE
1	T1600-12110	CYLINDER	1						
2	5500-12213	GASKET	1						
3	1850-12130	BOLT	2						
4	T1650-21100	CRANKCASE-C	1						
5	2629-21130	• PIN	1						
6	T1600-21140	GASKET, case	1						
7	T1600-21240	BEARING	2						
8	T1600-21210	SEAL	1						
9	T1600-21220	SEAL	1						
10	04065-02612	RING	1						
11	01252-30520	BOLT	3						
12	T1650-42000	CRANKSHAFT-C	1						
13	1160-41110	PISTON	1						
14	1100-41210	RING	1						
15	1101-41310	PIN	1						
16	1260-41320	RING	2						
17	5500-41410	BEARING	1						
18	1101-41340	WASHER	2						
19	T1600-15110	MUFFLER	1						
20	01252-30550	BOLT	2						
21	T1650-15210	GASKET	1						
22	T1650-13100	INSULATOR-C	1						
23	0282-10604	• NUT	1						
24	T1600-13170	• ADJUST SCREW	1						
25	5500-13121	GASKET	1						
26	5500-85510	SCREW	2						
27	T1600-71110	ROTOR	1						
28	T1650-71200	COIL-A	1						
29	T1600-72110	• CAP	1						
30	T1600-72120	• SPRING	1						
31	3350-14150	BOLT	2						
32	1260-71261	SPACER	2						
33	T1600-73200	CORD-COMP	1						
34	T1600-43230	NUT	1						
35	T1650-72140	CAP	1						
36	5933-73110	SPARKPLUG	1						
37	2475-51200	CLUTCH ASSY	1						
38	2475-51220	• SHOE, clutch	2						
39	2841-51230	• SPRING	2						
40	2475-51240	• BOSS	1						
41	2841-51210	PLATE	1						

Fig.4 ENGINE (2)

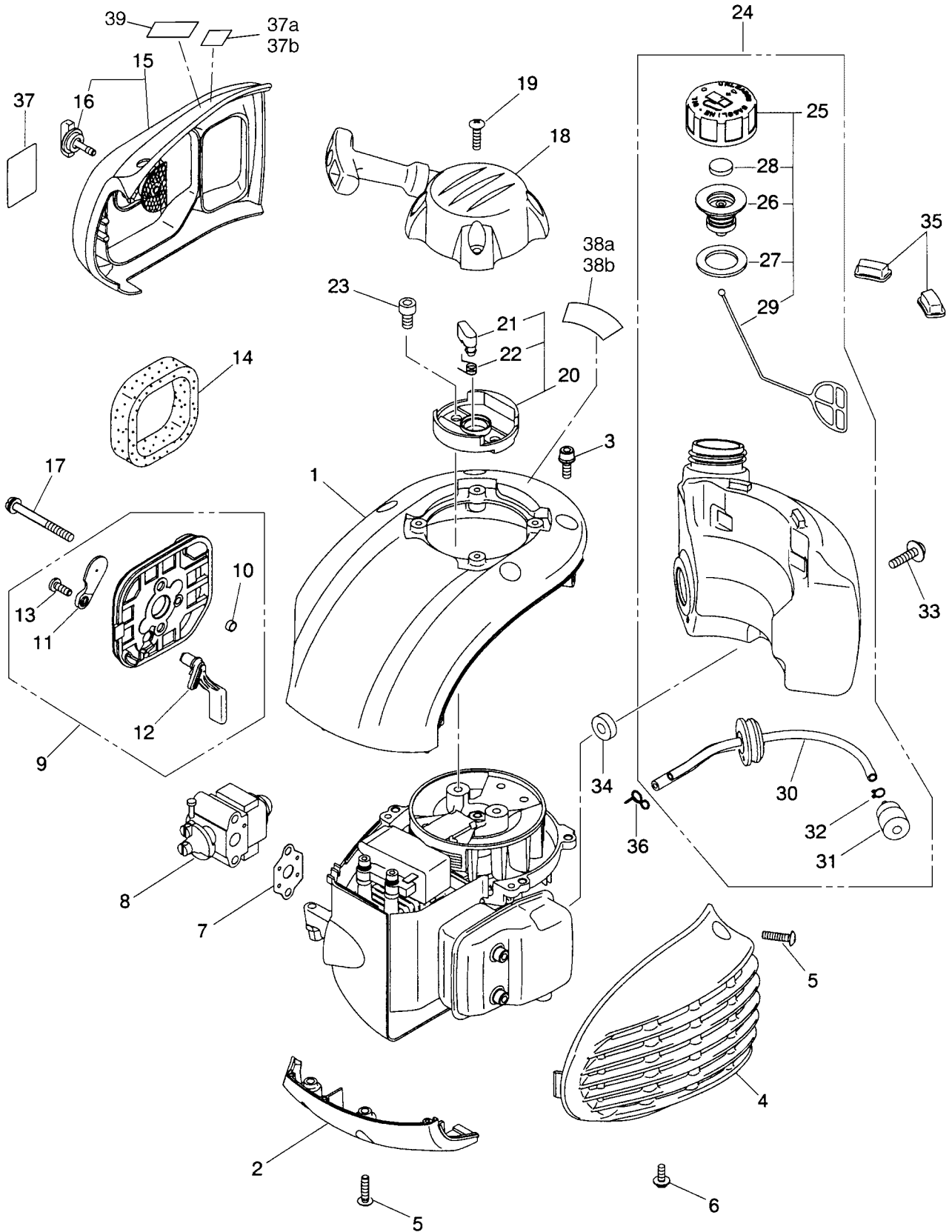
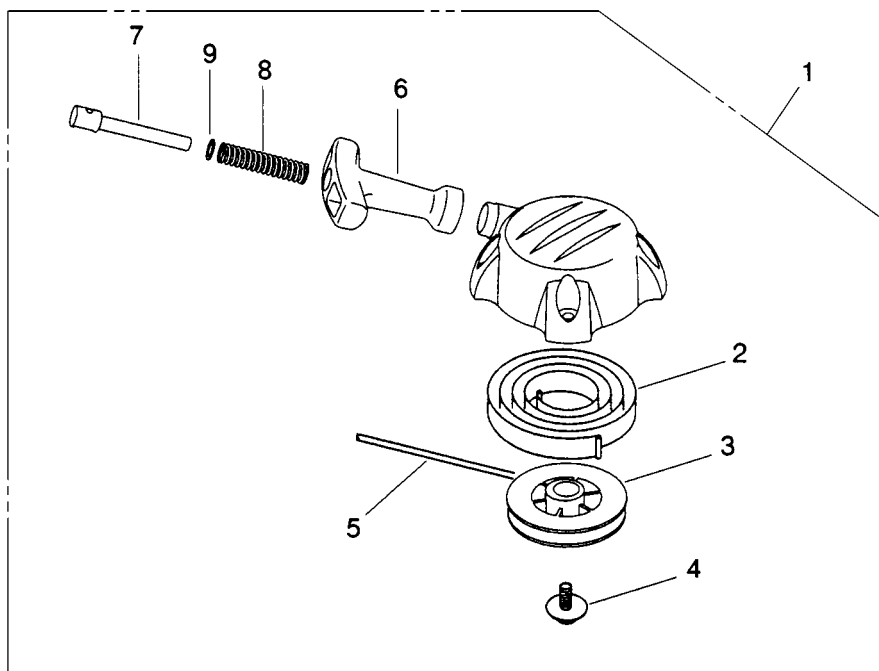


Fig.4 ENGINE (2)

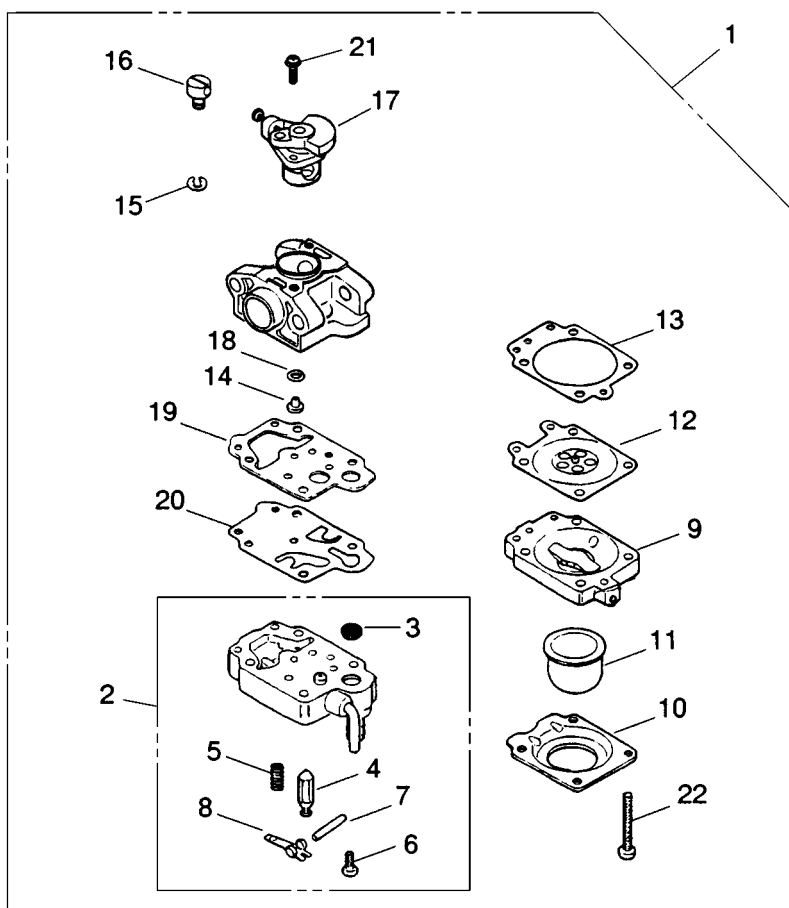
Key#	PART NUMBER	DESCRIPTION	Q'TY /UNIT	NOTE	Key#	PART NUMBER	DESCRIPTION	Q'TY /UNIT	NOTE
1	T1650-31110	COVER, front	1						
2	T1650-31122	COVER, rear	1						
3	3350-15250	BOLT	4						
4	T1650-15310	COVER, muffler	1						
5	1900-31410	SCREW	3						
6	1850-32160	SCREW	1						
7	5500-13131	GASKET	1						
8	T1651-81000	CARBURETOR-A	1						
9	T1650-82100	BODY-A	1						
10	1970-82190	• SLEEVE	2						
11	T1650-82130	• PLATE, choke	1						
12	T1650-82140	• LEVER	1						
13	2630-33610	• SCREW	1						
14	5500-82171	ELEMENT	1						
15	T1650-82200	COVER-A	1						
16	5500-82221	• KNOB	1						
17	0263-90550	SCREW	2						
18	T1650-75100	RECOIL-A	1						
19	1900-31410	SCREW	4						
20	T1650-75200	PULLEY ASSY	1						
21	1850-75220	• RATCHET	1						
22	T1650-75230	• SPRING	1						
23	0125-30612	BOLT	2						
24	T1650-85001	TANK-A	1						
25	5607-85201	• CAP-A	1						
26	5601-85300	•• HOLDER-A	1						
27	5500-85220	•• PACKING	1						
28	5601-85260	•• FILTER	1						
29	4820-85260	•• STOPPER	1						
30	5500-85300	• PIPE-C	1						
31	5500-85400	• FILTER	1						
32	1260-85460	• CLIP	1						
33	1600-86120	SCREW	1						
34	1400-86271	CUSHION	1						
35	T1650-85520	ABSORBER	2						
36	1950-86120	CLIP	1						
37a	T2990-21060	LABEL, sound	1	eHT750S					
37b	T2990-21100	LABEL, sound	1	eHT600D					
38a	T4519-12220	LABEL, name	1	eHT750S					
38b	T4520-12220	LABEL, name	1	eHT600D					

Fig.5 RECOIL STARTER



Key#	PART NUMBER	DESCRIPTION	Q'TY /UNIT	NOTE	Key#	PART NUMBER	DESCRIPTION	Q'TY /UNIT	NOTE
1	T1650-75100	RECOIL-A	1						
2	T1600-75130	• SPRING, spiral	1						
3	1850-75120	• REEL	1						
4	1850-75151	• SCREW	1						
5	T1600-75160	• ROPE	1						
6	T1600-75310	• KNOB	1						
7	T1600-75320	• COLLAR	1						
8	T1600-75330	• SPRING	1						
9	T1600-75340	• WASHER	1						

Fig.6 CARBURETOR



Key#	PART NUMBER	DESCRIPTION	Q'TY /UNIT	NOTE	Key#	PART NUMBER	DESCRIPTION	Q'TY /UNIT	NOTE
1	T1650-81000	CARBURETOR-A	1		20	1065-81420	• DIAPHRAGM	1	
2	1794-81450	• BODY-A	1		21	5850-81110	• SCREW	2	
3	3306-81380	•• SCREEN	1		22	1850-81530	• SCREW	4	
4	3356-81310	•• VALVE	1						
5	1794-81270	•• SPRING	1						
6	1850-81220	•• SCREW	1						
7	3310-81250	•• PIN	1						
8	3310-81230	•• LEVER	1						
9	1850-81490	• BODY	1						
10	1850-81520	• COVER	1						
11	1751-81510	• PUMP	1						
12	3310-81260	• DIAPHRAGM	1						
13	1850-81470	• GASKET	1						
14	T1650-81250	• JET	1						
15	1751-81130	• RING	1						
16	1881-81140	• SWIVEL	1						
17	T1600-81150	• VALVE	1						
18	1751-81240	• O-RING	1						
19	1065-81410	• GASKET	1						



KOMATSU ZENOAH CO.

1-9 Minamidai, Kawagoe, Saitama, 350-1192 Japan
