



BILLED NR.	BESTILLINGS NR.	TEKST OG BESKRIVELSE
01	90102748	Sætskrue
02	90102310	Planskive
03	9-670-003	Topstykke
04	9-670-004	Udluftningsskrue
05	9-670-005	Lukket møtrik for udluftningsskrue
06	9-670-006	Gummi membran
07	9-670-007	Gummilåg for oliestandsglas
08	9-670-008	Oliestandsglas
09	90352102	O-ring
10	9-670-010	Krumtap
11	9-670-011	Styr for krumtapaksel
12	90200235	Kugleleje
13	9-670-013	Krumtapaksel
14	90108350	Seeger- springring
15	9-670-015	Krumtap møtrik
16	90108350	Seeger- springring
17	90200333	Kugleleje
18	90101658	Olietætningsring
19	9-670-019	Dæksel for krumtapaksel
20	90102721	Sætskrue
21	9-670-021	Remskive
22	90102310	Planskive
23	90102741	Sætskrue
24	9-670-024	Plastrørprop
25	90352250	O-ring
26	9-670-026	Ventiltop
27	9-670-027	Trykfjeder
28	9-670-028	Ventil
29	9-670-029	Ventilsæde
30	90352210	O-ring
31	9-670-031	Ventilhus
32	90352102	O-ring
33	9-670-033	Specialbolt, messing
34	9-670-034	Plastskive for membran
35	9-670-035	Membran
36	9-670-036	Afstandsskive for membran
37	9-670-037	Cylinder
38	9-670-038	Pumpehus
39	9-670-039	Ring for cylinder
40	9-670-037	Cylinder
41	9-670-036	Afstandsskive for membran
42	9-670-035	Membran
43	9-670-034	Plastskive for membran
44	9-670-033	Specialbolt, messing
45	9-670-031	Ventilhus
46	90102310	Planskive
47	90102915	Stålbolt
48	90352112	O-ring
49	9-670-049	Aftapningsprop, messing
50	9-670-050	Reducerstykke, messing
51	90108010	Rørvinkel
52	90352200	O-ring
53	9-670-053	Slangestuds
54	9-670-054	Omløber
55	90105395	Slangebånd

## RESERVEDELSLISTE FOR TEXAS SPRØJTE DL 67 1987/1

BILLED NR.	BESTILLINGS NR.	TEKST OG BESKRIVELSE
56	9-670-056	Sugeslange
57	9-670-057	Overløbslange
58	90105385	Slangebånd
59	9-670-059	Omløber
60	9-670-060	Slangestuds
61	90352118	O-ring
62	9-670-062	Reducerstykke
63	90352060	O-ring
64	90352060	O-ring
65	9-670-065	Bronzeskive
66	9-670-066	Trykfjeder
67	90180602	Kontramøtrik, rustfri
68	90102476	Seegerring
69	9-670-069	Udluftningsskrue, messing
70	90352100	O-ring
71	9-670-071	Regulatorhus
72	9-670-072	Betjeningsgreb
73	9-670-073	Reguleringshåndtag med akse
74	9-670-074	Sprøjtelanse, løs
75	9-670-075	Si
76	9-670-076	Spreader
77	9-670-077	Dyse
78	9-670-078	Møtrik med bryst
79	9-670-079	Strop
80	9-670-080	Reducerstykke, plast
81	9-670-081	Omløber
82	9-670-082	Slangestuds
83	90105380	Slangebånd
84	9-670-084	Skruelåg
85	9-670-085	Dunk
86	9-670-086	Afgangsslange
87	90105380	Slangebånd
88	9-670-088	Omløber
89	9-670-089	Slangestuds
90	90352050	O-ring
91	90108005	Rørvinkel
92	90102872	Stålbolt
93	90102308	Planskive
94	9-670-094	Pumpekonsole
95	9-670-095	Støtteben
96	90100662	Møtrik
97	90102198	Låseskive
98	90102918	Stålbolt
99	9-670-099	Ramme
100	9-670-100	Ramme
101	90102743	Sætskrue
102	90102310	Planskive
103	90102198	Låseskive
104	90100662	Møtrik
105	9-530-03	Overfald
106	9-530-04	Trykfjeder
107	90102312	Planskive
108	90102982	Stålbolt
109	9-670-109	Skærm for remskive
110	90100661	Møtrik
111	90102195	Låseskive

## RESERVEDELSLISTE FOR TEXAS SPRØJTE DL 67 1987/1

BILLED NR.	BESTILLINGS NR.	TEKST OG BESKRIVELSE
112	90102309	Planskive
113	90102726	Sætskrue
114	90352170	O-ring
115	9-670-115	Ventil kpl.
116	9-670-116	Dyse kpl.
117	9-670-117	Lanse kpl.
118	90352150	O-ring
		Ekstra tilbehør for sprøjtelanse
	9-670-118	Runddyse
	9-670-119	Runddyse
	9-670-120	Runddyse
	9-670-121	Fladdyse
	9-670-122	Fladdyse

# SPRØJTE DL 67

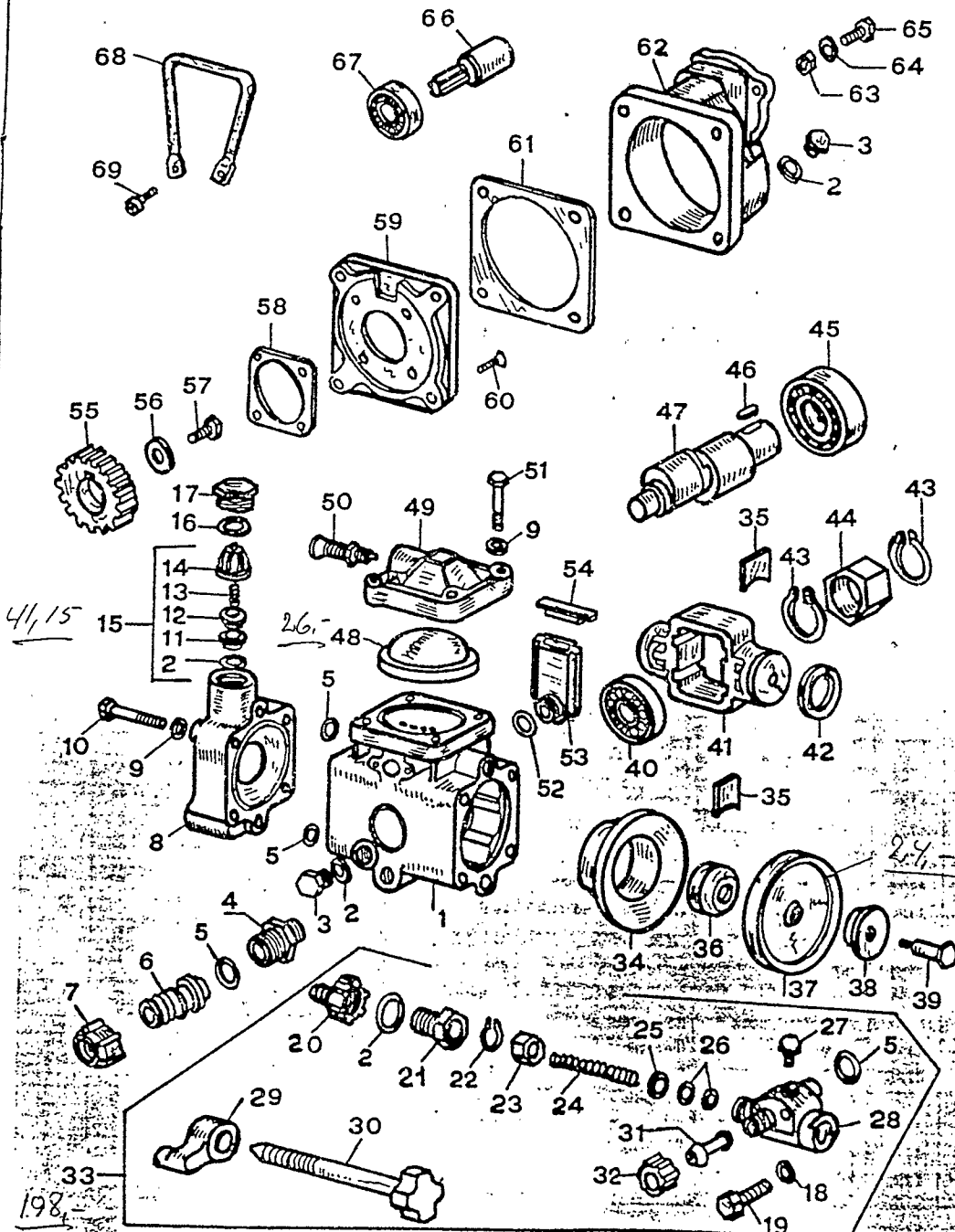
*Vi komplet 1390,-*

VISIONE  
ESPLOSA

ETALAGE  
DES PIÈCES

DISPLAY  
VIEW

VISION  
DE LAS PARTES



N. riferimento	N. ordine	Descrizione	Designation	Description	Description	Quantità	Quant. minima imb.
N. ref.	N. part. No.					Quantity	Min. quant. packing
1	4701	Corpo pompa	Corps pompe	Pump body	Cuero de bomba	1	—
2	4702	Anello OR 122	Joint. torique 122	OR 122 ring	Seguro OR 122	7	10
3	4703	Tappo	Bouchon	Cap	Tapa	2	—
4	4704	Raccordo	Raccord	Coupling	Empalmadura	1	1
5	4705	Anello OR 113	Joint. torique 113	OR 113 ring	Seguro OR 113	5	10
6	4706	Portatubo	Porte tuyau	Hose holder	Portatubo	1	—
7	4707	Girello	Rondelle	Coupling	Avandera	1	—
8	4708	Gruppo valvola	Ensemble soupape	Valve unit	Gruppo valvola	2	—
9	4709	Ranella	Ranella	Washer	Anillo	12	20
10	4710	Vite T.E.	Vite T.E.	Screw	Tornillo	8	10
11	4711	Sede valvola	Siège soupape	Valve seat	Sede valvola	4	4
12	4712	Valvola	Soupape	Valve	Valvola	4	4
13	4713	Molla	Ressort	Spring	Resorte	4	4
14	4714	Gabbia	Cage	Cage	Jaula	4	4
15	4715	Valvola comp.	Soupape ens.	Valve assy	Valvola jgo	4	4
16	4716	Anello OR 127	Joint torique 127	OR 127 ring	Seguro OR 127	4	5
17	4717	Tappo valvola	Bouchons soupape	Valve cap	Tapa valvola	4	4
18	4718	Ranella	Rondelle	Washer	Anillo	2	5
19	4719	Vite T.E.	Vis	Screw	Tornillo	2	5
20	4720	Girello comp.	Rondelle ens.	Coupling assy	Arandera jgo	1	—
21	4721	Sede valv. reg.	Siège soupape reg.	Regulator valve seat	Sede valvola reg.	1	—
22	4722	Seeger	Seeger	Seeger	Anillo seeger	1	5
23	4723	Dado	Ecrou	Nut	Tuerca	1	2
24	4724	Molla	Ressort	Spring	Resorte	1	—
25	4725	Ranella	Rondelle	Washer	Anillo	1	5
26	4726	Anello OR 107	Joint. torique 107	OR 107 ring	Seguro OR 107	2	5
27	4727	Tappo 1/8"	Bouchons 1/8"	Cap 1/8"	Tapa 1/8"	1	—
28	4728	Corpo regolatore	Corps regulateur	Regulatori body	Cuero regulador	1	—
29	4729	Leva comando	Lever com.	Control lever	Palanca*	1	—
30	4730	Asta comp.	Tiger ens.	Rod assy	Asta jgo	1	—
31	4731	Portatubo	Porte tuyau	Hose holder	Portatubo	1	—
32	4732	Girello	Rondelle	Coupling	Arandera	1	—
33	4733	Regolatore comp.	Regulateur ens.	Regulator assy	Regolador jgo	1	—
34	4734	Cilindro	Cylindre	Cylinder	Cilindro	2	—
35	4735	Fiastrina	Plaque	Plate	Plaqueta	2	2
36	4736	Rondella	Rondelle	Washer	Anillo	2	2
37	4737	Membrana	Membrane	Diaphragm	Membrana	2	2
38	4738	Rondella	Rondelle	Washer	Anillo	2	2
39	4739	Vite	Vis	Screw	Tornillo	2	2

N. riferimento	N. ordine	Descrizione	Designation	Description	Description	Quantità	Quant. minima imb.
N. ref.	N. part. No.					Quantity	Min. quant. packing
40	4740	Cuscinetto	Roulement	Bearing	Rodamiento	1	—
41	4741	Pistone	Piston	Piston	Piston	1	—
42	4742	Segmenti	Segment	Segments	Segmenti	2	2
43	4743	Seeger	Seeger	Seeger	Anillo seeger	2	5
44	4744	Guida pistone	Coullisse piston	Piston guide	Guida del piston	1	—
45	4745	Cuscinetto	Roulement	Bearing	Rodamiento	1	—
46	4746	Chiavetta	Clavette	Key	Chavea	1	—
47	4747	Albero eccentrico	Abre excentrique	Cam shaft assy	Arbol	1	—
48	4748	Ammortizzatore	Amortisseur	Shock absorber	Amortiguador	1	—
49	4749	Testata	Tête	Head	Capzada	1	—
50	4750	Valvola pneumatica	Soupape pneum.	Pneumatic valve	Valvola pneumatica	1	—
51	4751	Vite T.E.	Vis	Screw	Tornillo	4	5
52	4752	Anello OR 118	Joint. torique 118	OR 118 ring	Seguro OR 118	1	5
53	4753	Serbatolo olio	Reservoir huile	Oil tank	Tanque aceite	1	—
54	4754	Coperchio serbatoio	Couvercle reservoir	Tank cap	Tapa tanque	1	—
55	4755	Ruota dentata Z. 58	Roue dente Z. 58	Z. 58 cogged wheel	Rueda dentada Z. 58	1	—
		M. Scoppio	M. explosion	for gas engine	M. expl.	—	—
		Ruota dentata Z. 35	Roue dente Z. 35	Z. 35 cogged wheel	Rueda dentada Z. 35	—	—
		M. Elettrico	M. électrique	for electric motor	M. elect.	—	—
56	4756	Ranella	Rondelle	Washer	Anillo	1	5
57	4757	Vite T.E.	Vis	Screw	Tornillo	1	5
58	4758	Guarnizione	Joint	Gasket	Empaque	1	—
59	4759	Flangia	Bride	Flange	Brida	1	—
60	4760	Vite	Vis	Screw	Tornillo	4	8
61	4761	Guarnizione	Joint	Gasket	Empaque	1	—
62	4762	Corpo riduttore	Corps réducteur	Reduction gear body	Cuero reductor	—	—
		M. Scoppio	M. explosion	for gas engine	M. expl.	—	—
		Corpo riduttore	Corps réducteur	Reduction gear body	Cuero reductor	—	—
		M. Elettrico	M. électrique	for electric motor	M. elect.	—	—
63	4763	Dado M. Scoppio	Ecrou - M. explosion	Nut for gas engine	Tuerca	3	10
64	4764	Ranella M. Scoppio	Rondelle - M. explos.	Washer for gas eng.	Anillo	3	10
		Ranella M. Elettrico	Rondelle - M. électric.	Washer for electr. m.	Anillo	4	10
65	4765	Vite M. Scoppio	Vis - M. explosion	Screw for gas engine	Tornillo	3	10
66	4766	Vite M. Elettrico	Vis - M. électrique	Screw for electric m.	Tornillo	4	10
		Pignone Z. 10	Pignon Z. 10	Z. 10 pinion gear for gas engine	Piñón Z. 10	—	—
		M. Scoppio	M. explosion	Z. 10 pinion gear for electric motor	M. expl.	—	—
		Pignone Z. 10	Pignon Z. 10	M. électrique	M. elect.	—	—
		M. Elettrico	M. électrique	for electric motor	M. elect.	—	—
67	4767	Cuscinetto	Roulement	Bearing	Rodamiento	1	—
68	4768	Impugnatura	Poignée	Handle	Mango	1	—
69	4769	Vite T.E.	Vis	Screw	Tornillo	4	10
70	4770	Serie OR	Série OR	* O * ring set	Serie OR	1	—