

KOMATSU ZENOAH/REDMAX

SERVICE PARTS LIST

RECIPROCATOR®

MODELS :

SGC220DL
SGC220DW

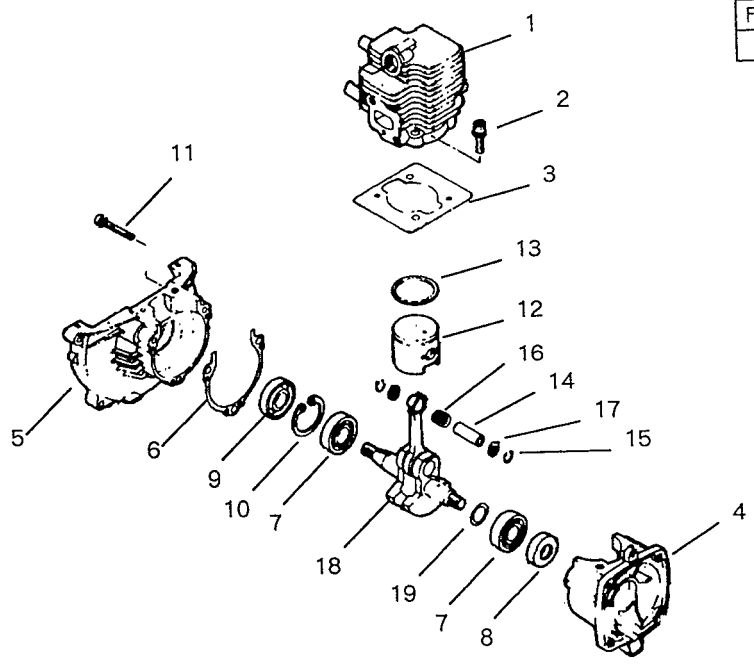
EFFECTIVE APRIL 1990

CONTENTS :

FIG. 1	ENGINE BLOCK
FIG. 2	INTAKE & EXHAUST
FIG. 3	STARTER
FIG. 4	IGNITION PARTS
FIG. 5	CLUTCH & COVERS
FIG. 6	THROTTLE CABLE & AIR CLEANER
FIG. 7	FUEL TANK
FIG. 8	CARBURETOR
FIG. 9	PRIMARY REDUCTION GROUP
FIG. 10	DRIVE SHAFT GROUP
FIG. 11	CUTTER GROUP (1)
FIG. 12	CUTTER GROUP (2)
FIG. 13	HANDLE GROUP
FIG. 14	ACCESSORY GROUP

FIG. 1 ENGINE BLOCK

MODEL CODE		
A	DL50	REDMAX - N.AM. & EURO.
B	DL51	KZ - EURO. & OTHER
C	DL52	ALLEN - UK
D	DL53	REDMAX - OCEANIA
E	DL60	KZ - EURO. & OTHER
F	DL61	ALLEN - UK

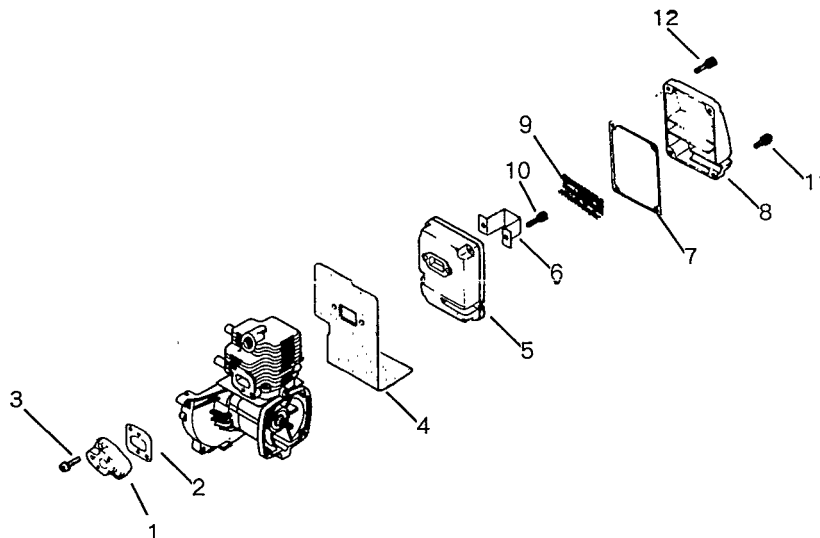


Index No.	Description	Part Number	Remarks	Q'ty per unit					
				A	B	C	D	E	F
1	CYLINDER	1850 - 12112		1	1	1	1	1	1
2	BOLT	1850 - 12130		2	2	2	2	2	2
3	GASKET	1850 - 13122	K1	1	1	1	1	1	1
4	CRANKCASE COMP	1850 - 21101	4 & 5	1	1	1	1	1	1
5	CRANKCASE - S	*	* 1850 - 21101	1	1	1	1	1	1
5	CRANKCASE - F	*	* 1850 - 21101	1	1	1	1	1	1
6	GASKET	1850 - 21140	K1	1	1	1	1	1	1
7	BEARING	06030 - 06001		2	2	2	2	2	2
8	OIL SEAL	1100 - 21210		1	1	1	1	1	1
9	OIL SEAL	1850 - 21220		1	1	1	1	1	1
10	SNAP RING	04065 - 02812		3	3	3	3	3	3
11	SCREW M5x30	0260 - 00530							
12	PISTON	1178 - 41110		1	1	1	1	1	1
13	PISTON RING	1100 - 41210	1850 41210	1	1	1	1	1	1
14	PISTON PIN	1101 - 41310		1	1	1	1	1	1
15	SNAP RING	1260 - 41320		2	2	2	2	2	2
16	BEARING	1140 - 41330		1	1	1	1	1	1
17	THRUST WASHER	1101 - 41340		2	2	2	2	2	2
18	CRANKSHAFT COMP	1850 - 42000		1	1	1	1	1	1
19	SHIM T0.1mm	1140 - 43250	OP	(1)	(1)	(1)	(1)	(1)	(1)
20	SHIM T0.3mm	1130 - 43260	OP	(1)	(1)	(1)	(1)	(1)	(1)

K1: GASKET KIT 1850 - 06010 OP: Optional part

FIG. 2 INTAKE & EXHAUST

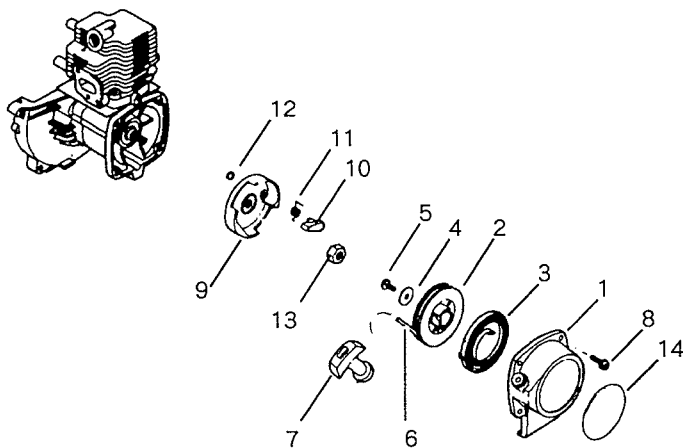
MODEL CODE		
A	DL50	REDMAX - N.AM. & EURO.
B	DL51	KZ - EURO. & OTHER
C	DL52	ALLEN - UK
D	DL53	REDMAX - OCEANIA
E	DL60	KZ - EURO. & OTHER
F	DL61	ALLEN - UK



Index No.	Description	Part Number	Remarks	Q'ty per unit					
				A	B	C	D	E	F
1	INSULATOR	1850 - 13161		1	1	1	1	1	1
2	GASKET	1850 - 13150	K1	1	1	1	1	1	1
3	SCREW	0263 - 20520		2	2	2	2	2	2
4	GASKET	1850 - 13141	K1	1	1	1	1	1	1
5	BODY - A	1850 - 15110		1	1	1	1	1	1
6	BAFFLE	1850 - 15120		1	1	1	1	1	1
7	GASKET	1850 - 15130	K1	1	1	1	1	1	1
8	BODY - B	1850 - 15140		1	1	1	1	1	1
9	SPARK ARRESTER	1854 - 15150		1	1	1	1	1	1
10	BOLT	01252 - 30618		2	2	2	2	2	2
11	BOLT	01252 - 30522		2	2	2	2	2	2
12	BOLT	01252 - 30514		2	2	2	2	2	2

FIG. 3 STARTER

MODEL CODE		
A	DL50	REDMAX - N.A.M.& EURO.
B	DL51	KZ - EURO.& OTHER
C	DL52	ALLEN - UK
D	DL53	REDMAX - OCEANIA
E	DL50	KZ - EURO.& OTHER
F	DL51	ALLEN - UK

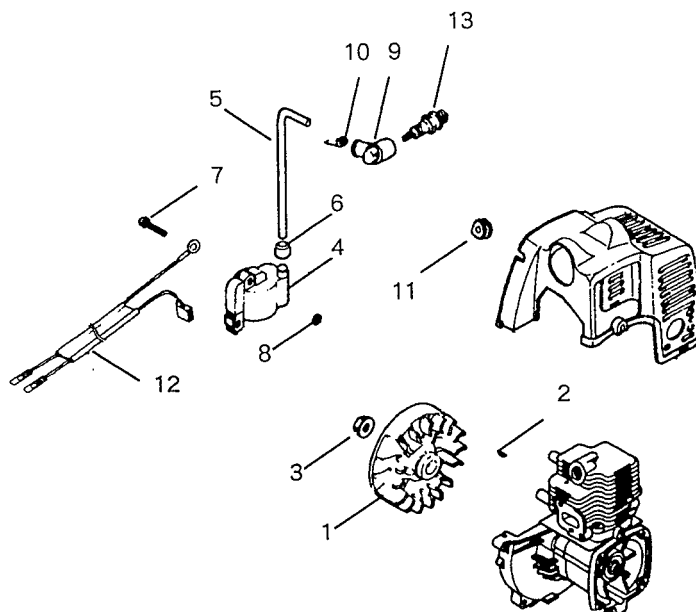


Index No.	Description	Part Number	Remarks	Q'ty per unit					
				A	B	C	D	E	F
	RECOIL ASSY	1850 - 75100	1 to 7	1	1	1	1	1	1
1	CASE	*	* 1850 - 75100	1	1	1	1	1	1
2	REEL	1850 - 75120		1	1	1	1	1	1
3	SPIRAL SPRING	1850 - 75130		1	1	1	1	1	1
4	WASHER	1850 - 75140		1	1	1	1	1	1
5	SCREW	1850 - 75150		1	1	1	1	1	1
6	ROPE	1850 - 75160		1	1	1	1	1	1
7	KNOB	1850 - 75170		1	1	1	1	1	1
8	SCREW	0263 - 90416		4	4	4	4	4	4
	PULLEY ASSY	1850 - 75200	9 to 12	1	1	1	1	1	1
9	PULLEY	*	* 1850 - 75200	1	1	1	1	1	1
10	RATCHET	1850 - 75220		1	1	1	1	1	1
11	RETURN SPRING	1850 - 75230		1	1	1	1	1	1
12	E - RING	1034 - 72180		1	1	1	1	1	1
13	NUT	1140 - 43230		1	1	1	1	1	1
14	LABEL	1852 - 75410	KOMATSU ZENOAH	.	1	1	.	1	1
14	LABEL	1854 - 75410	REDMAX	1	.	.	1	.	.

. : Part not assigned for the version.

FIG. 4 IGNITION PARTS

MODEL CODE		
A	DL50	REDMAX - N.A.M. & EURO.
B	DL51	KZ - EURO. & OTHER
C	DL52	ALLEN - UK
D	DL53	REDMAX - OCEANIA
E	DA60	KZ - EURO. & OTHER
F	DA61	ALLEN - UK

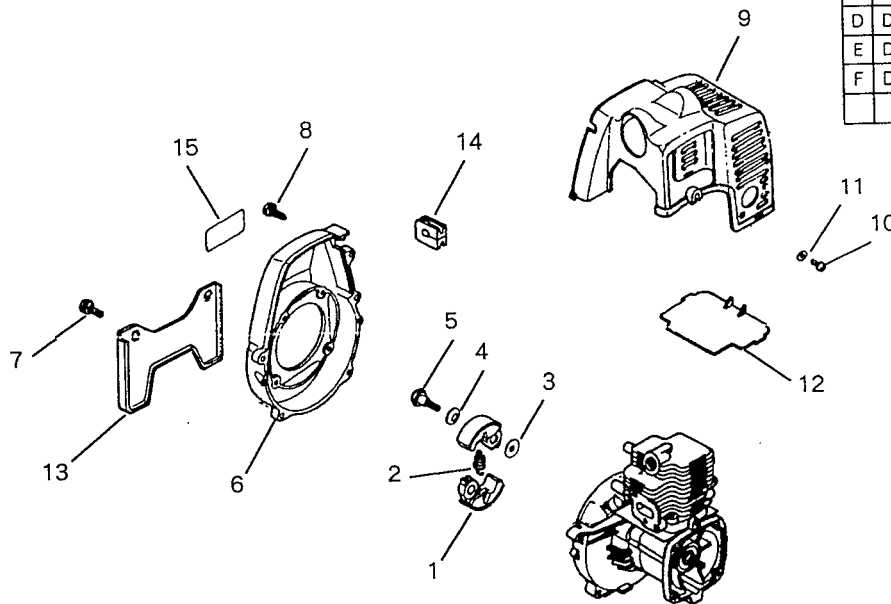


Index No.	Description	Part Number	Remarks	Q'ty per unit					
				A	B	C	D	E	F
1	ROTOR	1850 - 71110		1	1	1	1	1	1
2	KEY	1000 - 43240		1	1	1	1	1	1
3	NUT	1650 - 43230		1	1	1	1	1	1
4	COIL ASSY MODULE	1850 - 71200 *	4 to 6 * 1850 - 71200	1	1	1	1	1	1
5	CORD, high tension	1850 - 71220		1	1	1	1	1	1
6	CAP	2616 - 71320		1	1	1	1	1	1
7	SCREW	0260 - 30422		2	2	2	2	2	2
8	SPACER	1260 - 71260		2	2	2	2	2	2
9	CAP	1900 - 72111		1	1	1	1	1	1
10	SPRING	1900 - 72120		1	1	1	1	1	1
11	GROMMET	1895 - 72110		1	1	1	1	1	1
12	CORD COMP	1895 - 72130		1	1	1	1	•	•
13	SPARK PLUG	1216 - 73110	CHAMPION RCJ8Y	1	1	1	1	1	1

• : Part not assigned for the version.

FIG. 5 CLUTCH & COVERS

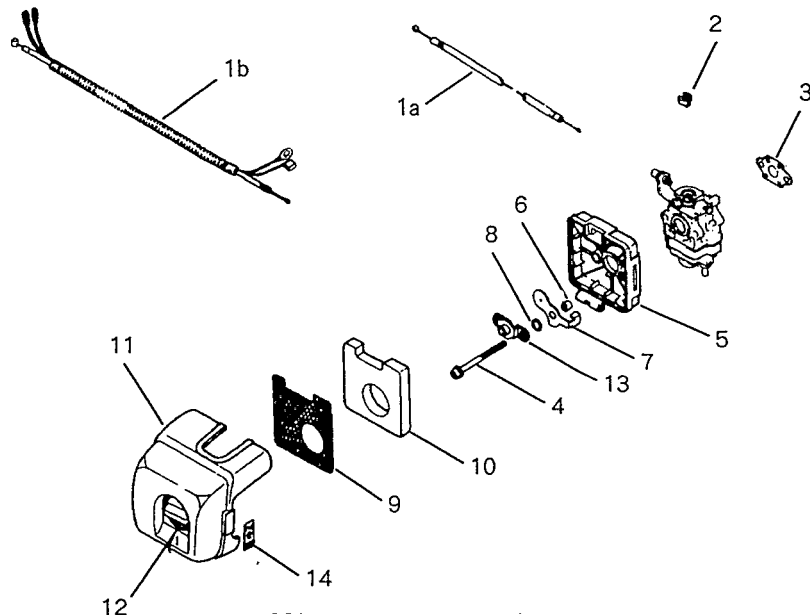
MODEL CODE		
A	DL50	REDMAX - N.A.M. & EURO.
B	DL51	KZ - EURO. & OTHER
C	DL52	ALLEN - UK
D	DL53	REDMAX - OCEANIA
E	DL54	KZ - EURO. & OTHER
F	DL51	ALLEN - UK



Index No.	Description	Part Number	Remarks	Q'ty per unit					
				A	B	C	D	E	F
1	CLUTCH SHOE	1600 - 51111		2	2	2	2	2	2
2	SPRING	1752 - 51220		1	1	1	1	1	1
3	FLAT WASHER	1140 - 51230		2	2	2	2	2	2
4	WAVE WASHER	1140 - 51241		2	2	2	2	2	2
5	SCREW	1140 - 51250		2	2	2	2	2	2
6	FAN COVER	1870 - 31110		1	1	1	1	1	1
7	SCREW	0263 - 60520		4	4	4	4	4	4
8	SCREW	1900 - 31410		1	1	1	1	1	1
9	ENGINE COVER	1850 - 32110		1	1	1	1	1	1
10	SCREW	0263 - 90412		1	1	1	1	1	1
11	FLAT WASHER	1850 - 32130		1	1	1	1	1	1
12	PLATE	1850 - 15252		1	1	1	1	1	1
13	STAND	1854 - 31910		1	1	1	1	1	1
14	GROMMET	1852 - 72120		1	1	1	1	1	1
15	LABEL	1852 - 31120	KOMATSU ZENOAH	.	1	1	.	1	1
15	LABEL	1854 - 31120	REDMAX	1	.	.	1	.	.

. : Part not assigned for the version.

FIG. 6 THROTTLE CABLE & AIR CLEANER

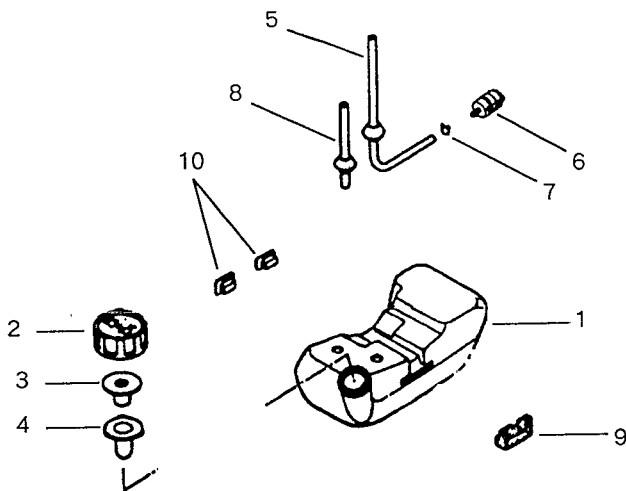


MODEL CODE	
A	DL50 REDMAX - N.A.M. & EURO.
B	DL51 KZ - EURO. & OTHER
C	DL52 ALLEN - UK
D	DL53 REDMAX - OCEANIA
E	DM60 KZ - EURO. & OTHER
F	DM61 ALLEN - UK

Index No.	Description	Part Number	Remarks	Q'ty per unit					
				A	B	C	D	E	F
1a	THROTTLE CABLE	1855 - 82100		1	1	1	1	.	.
1b	CABLE & WIRE ASSY	1911 - 82100	V- Hérday	1	1
2	CAP. cable end	1601 - 81810		1	1	1	1	1	1
3	GASKET	1750 - 13131	K1	1	1	1	1	1	1
4	SCREW, M5x55mm	0263 - 30555		2	2	2	2	2	2
	AIR CLEANER ASSY	1881 - 82001	5 to 14	1	1	1	1	1	1
5	BODY	1850 - 82111		1	1	1	1	1	1
6	SLEEVE	1601 - 82120		2	2	2	2	2	2
7	SHUTTER	1850 - 82131		1	1	1	1	1	1
8	FLAT WASHER	1601 - 82140		1	1	1	1	1	1
9	SCREEN	1881 - 82150		1	1	1	1	1	1
10	FILTER ELEMENT	1881 - 82160		1	1	1	1	1	1
	COVER COMP	1881 - 82200	11 & 12	1	1	1	1	1	1
11	COVER	1881 - 82210		1	1	1	1	1	1
12	KNOB	1881 - 33140		1	1	1	1	1	1
13	PLATE	1881 - 82321		1	1	1	1	1	1
14	LABEL	1133 - 82060		1	1	1	1	1	1

FIG. 7 FUEL TANK

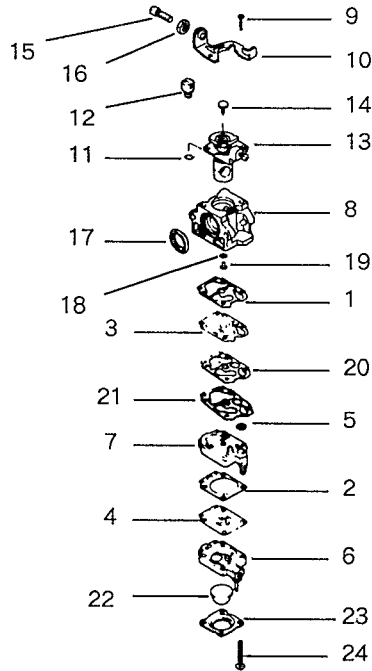
MODEL CODE		
A	DL50	REDMAX - N.A.M. & EURO.
B	DL51	KZ - EURO. & OTHER
C	DL52	ALLEN - UK
D	DL53	REDMAX - OCEANIA
E	DL50	KZ - EURO. & OTHER
F	DL51	ALLEN - UK



Index No.	Description	Part Number	Remarks	Q'ty per unit					
				A	B	C	D	E	F
1	FUEL TANK ASSY	1882 - 85002	2 to 8	1	1	1	1	1	1
	TANK	*	* 1882 - 85002	1	1	1	1	1	1
2	CAP ASSY	3083 - 85200	2 to 4	1	1	1	1	1	1
	CAP	*	* 3083 - 85200	1	1	1	1	1	1
3	VALVE	1850 - 85220		1	1	1	1	1	1
4	COVER	1850 - 85230		1	1	1	1	1	1
5	SUCTION PIPE	1881 - 85401		1	1	1	1	1	1
6	FUEL FILTER ASSY	1850 - 85300		1	1	1	1	1	1
7	CLIP	1260 - 85460		1	1	1	1	1	1
8	RETURN PIPE	1881 - 85700		1	1	1	1	1	1
9	CUSHION - S	1850 - 86122		1	1	1	1	1	1
10	CUSHION - F	1850 - 86130		2	2	2	2	2	2

FIG. 8 CARBURETOR

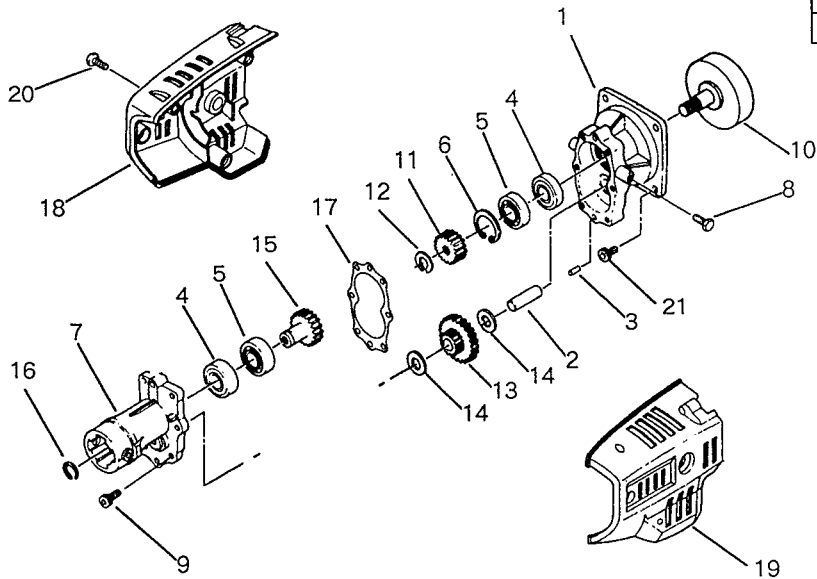
MODEL CODE		
A	DL50	REDMAX - N.A.M & EURO.
B	DL51	KZ - EURO. & OTHER
C	DL52	ALLEN - UK
D	DL53	REDMAX - OCEANIA
E	DL50	KZ - EURO & OTHER
F	DL51	ALLEN - UK



Index No.	Description	Part Number	Remarks	Q'ty per unit					
				A	B	C	D	E	F
	CARBURETOR ASSY	1891 - 81003	1 to 24	1	1	1	1	1	1
	REPAIR KIT	1850 - 06030	1 to 7	1	1	1	1	1	1
	GASKET KIT	1850 - 06020	1 to 4	1	1	1	1	1	1
1	GASKET, pump	1065 - 81410		1	1	1	1	1	1
2	GASKET, m - dphrgm	1751 - 81470		1	1	1	1	1	1
3	DIAPHRAGM, pump	1065 - 81420		1	1	1	1	1	1
4	DIAPHRAGM, metering	3310 - 81260		1	1	1	1	1	1
5	SCREEN, inlet	3306 - 81380		1	1	1	1	1	1
6	BODY, primer	1891 - 81490		1	1	1	1	1	1
7	BODY, pump	1881 - 81450		1	1	1	1	1	1
8	BODY ASSY	*	* 1891 - 81003	1	1	1	1	1	1
9	SCREW	1752 - 81110		2	2	2	2	2	2
10	BRACKET	1891 - 81130		1	1	1	1	1	1
11	SNAP RING	1751 - 81130		1	1	1	1	1	1
12	SWIVEL	1881 - 81140		1	1	1	1	1	1
13	THROTTLE VALVE ASSY	1881 - 81150		1	1	1	1	1	1
14	PLUG	1881 - 81160		1	1	1	1	1	1
15	ADJUSTER, cable	1751 - 81170		1	1	1	1	1	1
16	NUT	1751 - 81180		1	1	1	1	1	1
17	RING, packing	1881 - 81130		1	1	1	1	1	1
18	O - RING	1751 - 81240		1	1	1	1	1	1
19	JET	1630 - 81250	# 46	1	1	1	1	1	1
20	PLATE, pump	1751 - 81430		1	1	1	1	1	1
21	GASKET, plate	1751 - 81440		1	1	1	1	1	1
22	PUMP, primer	1751 - 81510		1	1	1	1	1	1
23	COVER	1751 - 81520		1	1	1	1	1	1
24	SCREW	1752 - 81530		4	4	4	4	4	4

FIG. 9

PRIMARY REDUCTION GROUP

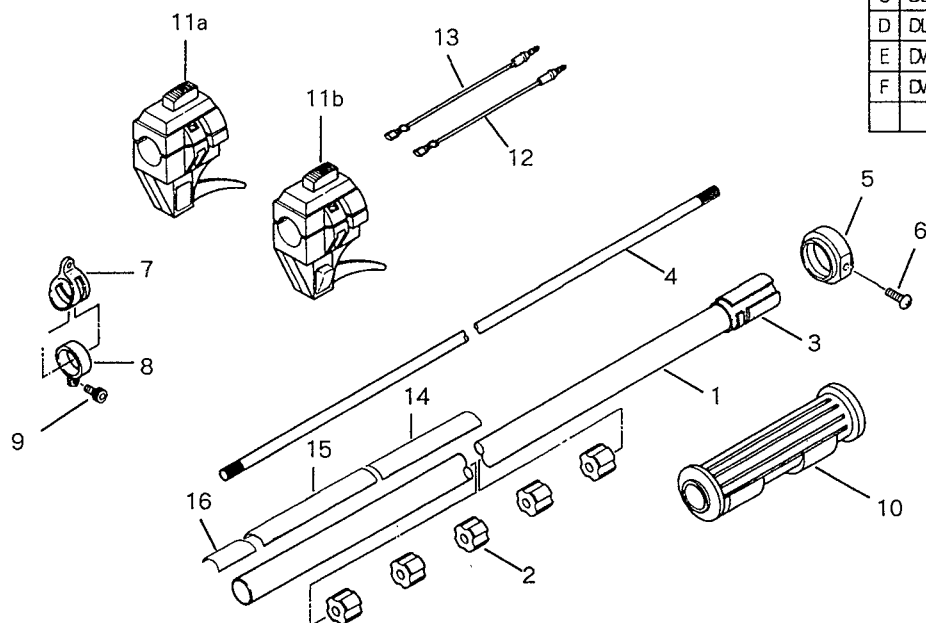


MODEL CODE

		MODEL CODE
A	DL50	REDMAX - N.A.M. & EURO.
B	DL51	KZ - EURO. & OTHER
C	DL52	ALLEN - UK
D	DL53	REDMAX - OCEANIA
E	DL60	KZ - EURO. & OTHER
F	DL61	ALLEN - UK

Index No.	Description	Part Number	Remarks	Q'ty per unit					
				A	B	C	D	E	F
	REAR CASE COMP	3805 - 11101	1 to 3	1	1	1	1	1	1
1	CASE , rear	3805 - 11121		1	1	1	1	1	1
2	SHAFT	3805 - 11340		1	1	1	1	1	1
3	DOWEL PIN	0305 - 00512		2	2	2	2	2	2
4	BEARING	06004 - 06001	Sealed type	2	2	2	2	2	2
5	BEARING	06000 - 06001	Open type	2	2	2	2	2	2
6	SNAP RING	04065 - 02812		1	1	1	1	1	1
7	CASE, front	3805 - 11211		1	1	1	1	1	1
8	BOLT	0225 - 00608		2	2	2	2	2	2
9	BOLT	01252 - 30520		6	6	6	6	6	6
10	CLUTCH DRUM	3805 - 11310		1	1	1	1	1	1
11	PINION GEAR	3805 - 11320		1	1	1	1	1	1
12	SNAP RING	3180 - 13330		1	1	1	1	1	1
13	IDLER GEAR	3805 - 11331		1	1	1	1	1	1
14	WASHER	3805 - 11370		2	2	2	2	2	2
15	WHEEL GEAR	3805 - 11360		1	1	1	1	1	1
16	SNAP RING	3130 - 13270		1	1	1	1	1	1
17	GASKET	3805 - 11411		1	1	1	1	1	1
18	COVER, right	3805 - 11511		1	1	1	1	1	1
19	COVER, left	3805 - 11521		1	1	1	1	1	1
20	SCREW	2200 - 76210		3	3	3	3	3	3
21	BOLT, engine mounting	3544 - 11510		4	4	4	4	4	4

FIG. 10 DRIVE SHAFT GROUP



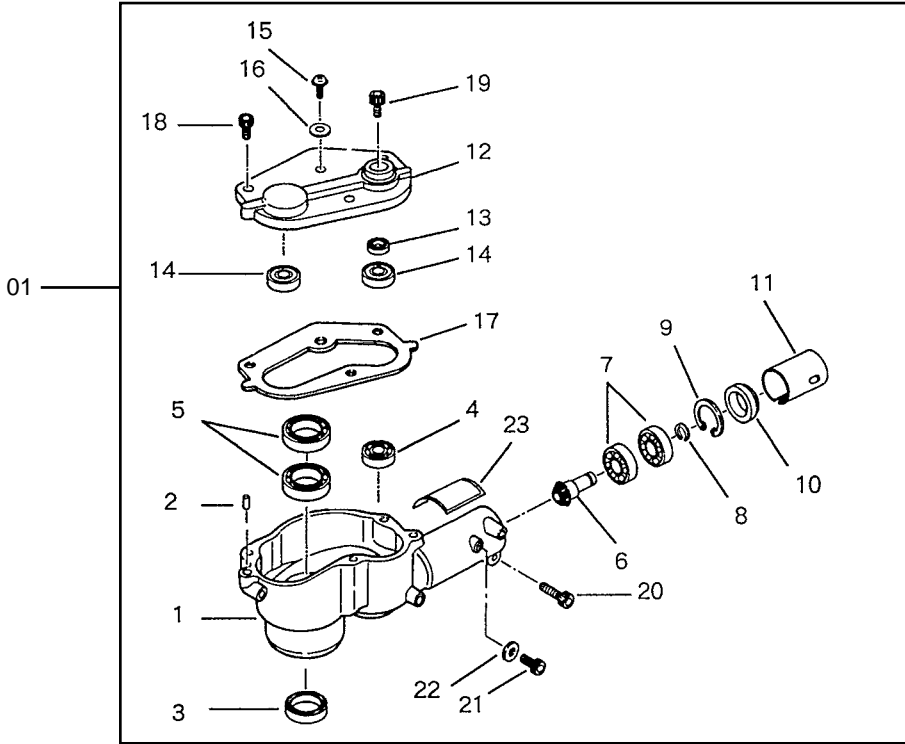
MODEL CODE

	DL50	REDMAX - N.AM.& EURO.
A	DL50	REDMAX - N.AM.& EURO.
B	DL51	KZ - EURO.& OTHER
C	DL52	ALLEN - UK
D	DL53	REDMAX - OCEANIA
E	DL50	KZ - EURO.& OTHER
F	DL51	ALLEN - UK

Index No.	Description	Part Number	Remarks	Q'ty per unit					
				A	B	C	D	E	F
1	PIPE COMP	3805 - 12100	1 to 3	1	1	1	1	1	1
1	PIPE	*	* 3805 - 12100	1	1	1	1	1	1
2	BUSHING	3805 - 12121		5	5	5	5	5	5
3	CUSHION	3805 - 12130		1	1	1	1	1	1
4	SHAFT	3805 - 12210		1	1	1	1	1	1
5	CAP	3565 - 11341		1	1	1	1	1	1
6	SCREW	0263 - 90510		2	2	2	2	2	2
7	HANGER	6130 - 18100		(1)	1	1	1	1	1
8	CLAMP	6130 - 18200		(1)	1	1	1	1	1
9	SCREW	0263 - 90520		(1)	1	1	1	1	1
10	GRIP	3577 - 32140		1	1	1	1	.	.
11a	LEVER & SWITCH ASSY	6110 - 14410	w/o Lock	1
11b	LEVER & SWITCH ASSY	6041 - 12400	w/ Lock	.	1	1	1	.	.
12	CORD - A	6116 - 14420		1	1	1	1	.	.
13	CORD - B	6116 - 14430		1	1	1	1	.	.
14	NAME PLATE	3974 - 12511	REDMAX	1	.	.	1	.	.
14	NAME PLATE	3975 - 12510	KOMATSU ZENOAH (DL)	.	1
14	NAME PLATE	3976 - 12510	KOMATSU ZENOAH (DW)	1	.
14	NAME PLATE	3982 - 12510	ALLEN (DL/DW)	.	.	1	.	.	1
15	LABEL, caution	3975 - 12521		.	1	1	1	1	1
16	LABEL, noise level	6047 - 11590		.	.	.	1	.	.

FIG. 11 CUTTER GROUP (1)

MODEL CODE		
A	DL50	REDMAX - N.A.M. & EURO.
B	DL51	KZ - EURO. & OTHER
C	DL52	ALLEN - UK
D	DL53	REDMAX - OCEANIA
E	DM50	KZ - EURO. & OTHER
F	DM51	ALLEN - UK

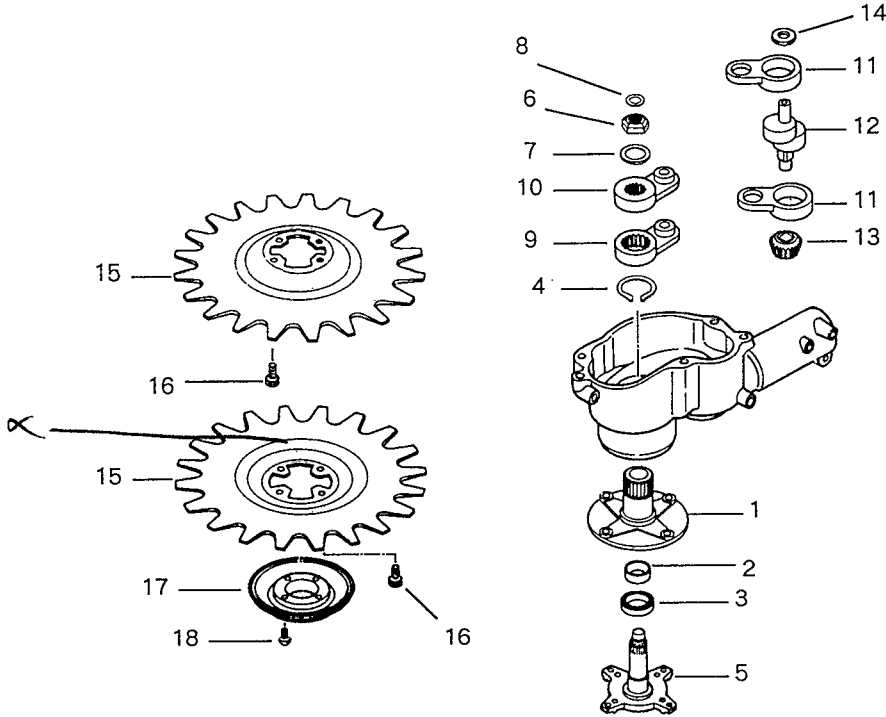


Index No.	Description	Part Number	Remarks	Q'ty per unit					
				A	B	C	D	E	F
01	VINKELGEAR KPL.	380513001	1 TO 22	1	1	1	1	1	1
1	CUTTER CASE	*		1	1	1	1	1	1
2	DOWEL PIN	0305 - 00512		2	2	2	2	2	2
3	OIL SEAL	3805 - 13130		1	1	1	1	1	1
4	BEARING	90200180		1	1	1	1	1	1
5	BEARING	06000 - 06804		2	2	2	2	2	2
6	PINION	3805 - 13930		1	1	1	1	1	1
7	BEARING	06000 - 06000		2	2	2	2	2	2
8	SNAP RING	3180 - 13330		1	1	1	1	1	1
9	SNAP RING	04065 - 02612		1	1	1	1	1	1
10	PACKING	3805 - 13940		1	1	1	1	1	1
11	SPACER	3805 - 13950		1	1	1	1	1	1
	COVER COMP	3805 - 13800	12 to 14	1	1	1	1	1	1
12	COVER	3805 - 13810		1	1	1	1	1	1
13	OIL SEAL	3805 - 13840		1	1	1	1	1	1
14	BEARING	06002 - 00608		2	2	2	2	2	2
15	SCREW	0263 - 00610		1	1	1	1	1	1
16	GASKET	07005 - 00612		1	1	1	1	1	1
17	GASKET	3805 - 13910		1	1	1	1	1	1
18	BOLT	01252 - 40520		3	3	3	3	3	3
19	BOLT	3805 - 13750		1	1	1	1	1	1
20	BOLT	01252 - 40525		1	1	1	1	1	1
21	SCREW	0263 - 60514		1	1	1	1	1	1
22	GASKET	3805 - 13920		1	1	1	1	1	1
23	LABEL, caution	3974 - 13991		1	.	.	1	.	.
23	LABEL, caution	3975 - 13990		.	1	1	.	1	1

. : Part not assigned for the version.

FIG. 12 CUTTER GROUP (2)

MODEL CODE		
A	DL50	REDMAX - N.A.M. & EURO.
B	DL51	KZ - EURO. & OTHER
C	DL52	ALLEN - UK
D	DL53	REDMAX - OCEANIA
E	DL50	KZ - EURO. & OTHER
F	DL51	ALLEN - UK



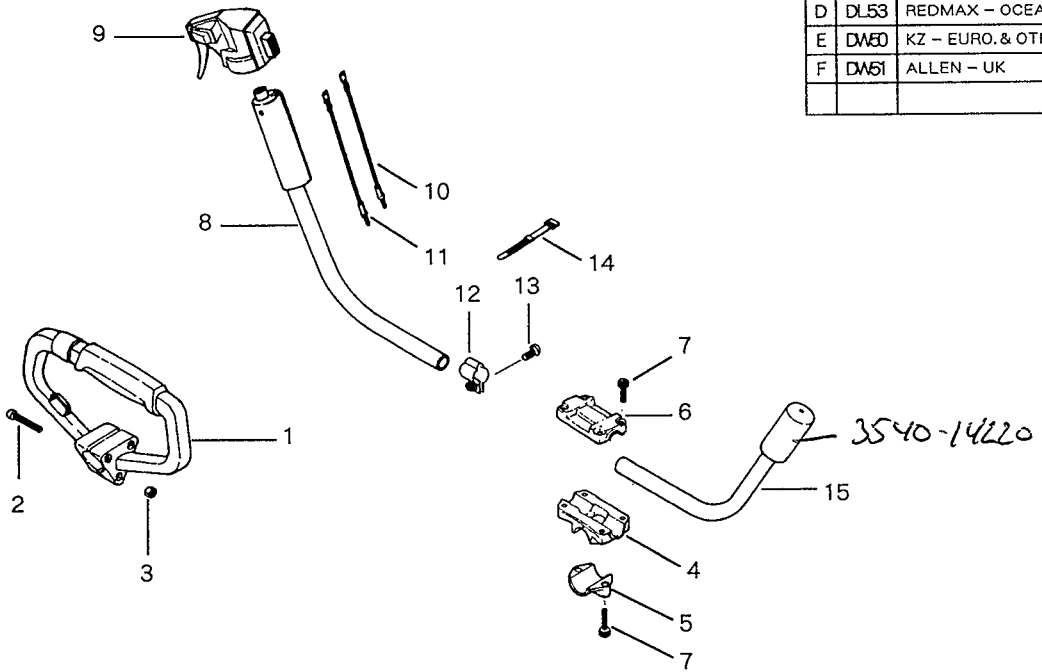
Index No.	Description	Part Number	Remarks	Q'ty per unit					
				A	B	C	D	E	F
1	OUTER SHAFT COMP	3805 - 13200	1 to 3	1	1	1	1	1	1
	SHAFT, outer	*	* 3805 - 13200	1	1	1	1	1	1
2	BUSHING	3805 - 13220		1	1	1	1	1	1
3	OIL SEAL	3805 - 13230		1	1	1	1	1	1
4	SNAP RING	04064 - 02012		1	1	1	1	1	1
5	SHAFT, inner	3805 - 13510		1	1	1	1	1	1
6	NUT	3805 - 13520		1	1	1	1	1	1
7	SHIM	3805 - 13550	T: 0.3mm OD: 20mm	(1)	(1)	(1)	(1)	(1)	(1)
7	SHIM	3805 - 13570	T: 0.2mm OD: 20mm	(1)	(1)	(1)	(1)	(1)	(1)
7	SHIM	3805 - 13580	T: 0.1mm OD: 20mm	(1)	(1)	(1)	(1)	(1)	(1)
8	SHIM	3805 - 13560	T: 0.3mm OD: 14mm	(1)	(1)	(1)	(1)	(1)	(1)
9	ARM, lower	3805 - 13412	<input type="checkbox"/> 3805 - 13411	1	1	1	1	1	1
10	ARM, upper	3805 - 13612	<input type="checkbox"/> 3805 - 13611	1	1	1	1	1	1
11	CONROD	3805 - 13432	<input type="checkbox"/> 3805 - 13431	1	1	1	1	1	1
12	CRANKSHAFT	3805 - 13711		1	1	1	1	1	1
13	GEAR	3805 - 13720		1	1	1	1	1	1
14	WASHER	01641 - 20812		1	1	1	1	1	1
15	BLADE	3974 - 95110	Supplied 2pcs a set	2	2	2	2	2	2
16	BOLT	01252 - 40608		8	8	8	8	8	8
17	STABILIZER	3805 - 15151		1	1	1	1	1	1
18	SCREW	0263 - 30508		4	4	4	4	4	4
X	Shim	3805-13590	0,3 mm.						

(): Optional parts.

: Alternatives.

FIG. 13 HANDLE GROUP

MODEL CODE		
A	DL50	REDMAX - N.AM.& EURO.
B	DL51	KZ - EURO.& OTHER
C	DL52	ALLEN - UK
D	DL53	REDMAX - OCEANIA
E	DM60	KZ - EURO.& OTHER
F	DM61	ALLEN - UK



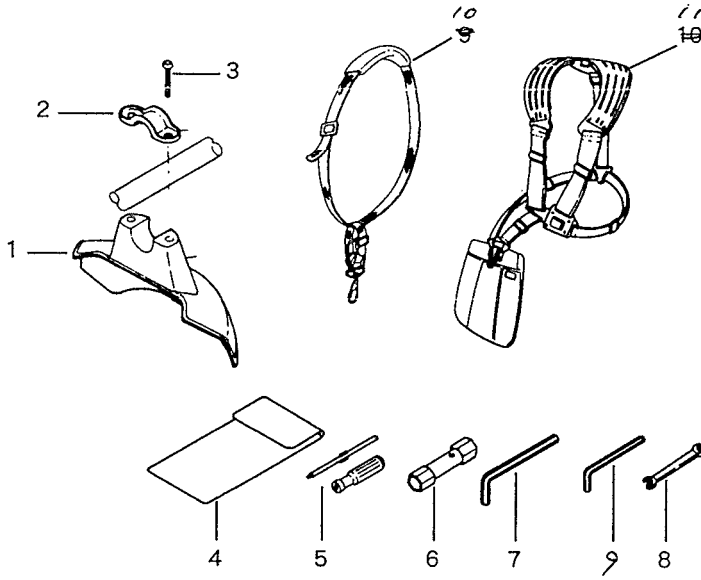
Index No.	Description	Part Number	Remarks	Q'ty per unit					
				A	B	C	D	E	F
	HANDLE ASSY	3974 - 14300	1 to 3	1	1	1	1	.	.
1	HANDLE	3805 - 14311		1	1	1	1	.	.
2	SCREW	0260 - 00530		3	3	3	3	.	.
3	NUT	0280 - 10504		3	3	3	3	.	.
	BRACKET ASSY	3583 - 14100	4 to 7	1	1
4	BRACKET	3583 - 14110		1	1
5	CAP, lower	3583 - 14121		1	1
6	CAP, upper	3257 - 14190		1	1
7	BOLT	01252 - 30522		6	6
	RIGHT HANDLE ASSY	3976 - 14300	8 to 13	1	1
8	HANDLE COMP	6242 - 14400		1	1
	THROTTLE LEVER ASSY	3976 - 14500	9 to 11	1	1
9	LEVER & SWITCH ASSY	6234 - 14601		1	1
10	CORD - A	3976 - 14710	Red	1	1
11	CORD - B	3976 - 14720	Black	1	1
12	CLAMP	3260 - 14250		1	1
13	SCREW	0260 - 00516		1	1
14	BAND	3540 - 93120		1	1
15	LEFT HANDLE COMP	3540 - 14200		1	1
	<i>Gas Kabel.</i>	<i>1911 82100</i>							
	<i>✓ - Handtag.</i>								

. : Part not assigned for the version.

FIG. 14

ACCESSORY GROUP

MODEL CODE		
A	DL50	REDMAX - N.A.M. & EURO.
B	DL51	KZ - EURO. & OTHER
C	DL52	ALLEN - UK
D	DL53	REDMAX - OCEANIA
E	DL50	KZ - EURO. & OTHER
F	DL51	ALLEN - UK



Index No.	Description	Part Number	Remarks	Q'ty per unit						
				A	B	C	D	E	F	
	GUARD ASSY	3565 - 24000	1 to 3	1	1	1	1	1	1	
1	GUARD	3565 - 24110		1	1	1	1	1	1	
2	CLAMP	3520 - 24120		1	1	1	1	1	1	
3	BOLT	3540 - 24130		2	2	2	2	2	2	
	TOOL SET	3805 - 91000	4 to 8 ⁹	1	1	1	1	1	1	
4	BAG	1030 - 91112		1	1	1	1	1	1	
5	SCREWDRIVER	1030 - 91340		1	1	1	1	1	1	
6	SOCKET	3144 - 91160		1	1	1	1	1	1	
7	WRENCH	09007 - 00528		1	1	1	1	1	1	
8	SPANNER	3540 - 91120		1	1	1	1	1	1	
9	WRENCH	09007 - 00625		/	/	/	/	/	/	
10	STRAP ASSY	3520 - 96403		1	1	1	1	.	.	
11	HARNESS ASSY	6220 - 17201		1	1	

. : Part not assigned for the version.