

# PARTS LIST

## BRUSHCUTTERS

# BC2602DLM

**NOTE :**

1. Use KOMATSU ZENOAH genuine parts as specified in the parts list for repair and/or replacement.
2. KOMATSU ZENOAH does not warrant the machines, which have been damaged by the use of any parts other than those specified by the company.
3. When placing parts orders for repair and/or replacement, check if the model name and the serial number are applicable to those specified in the parts list, then use parts number described in the parts list.
4. The contents described in the parts list are accurate as of the date and may change due to improvement.
5. The parts for the machine shall be supplied ten (10) years after the machine is discontinued. [It is possible that some specific parts may be subject to change of their delivery term and list price within the limit of ten (10) years after the machine is discontinued. It is also possible that some parts may be available even after the limit of ten (10) years.]

APPLICABLE SERIAL NUMBERS:

200101 and up

February 2002

Fig.1 CUTTER GROUP

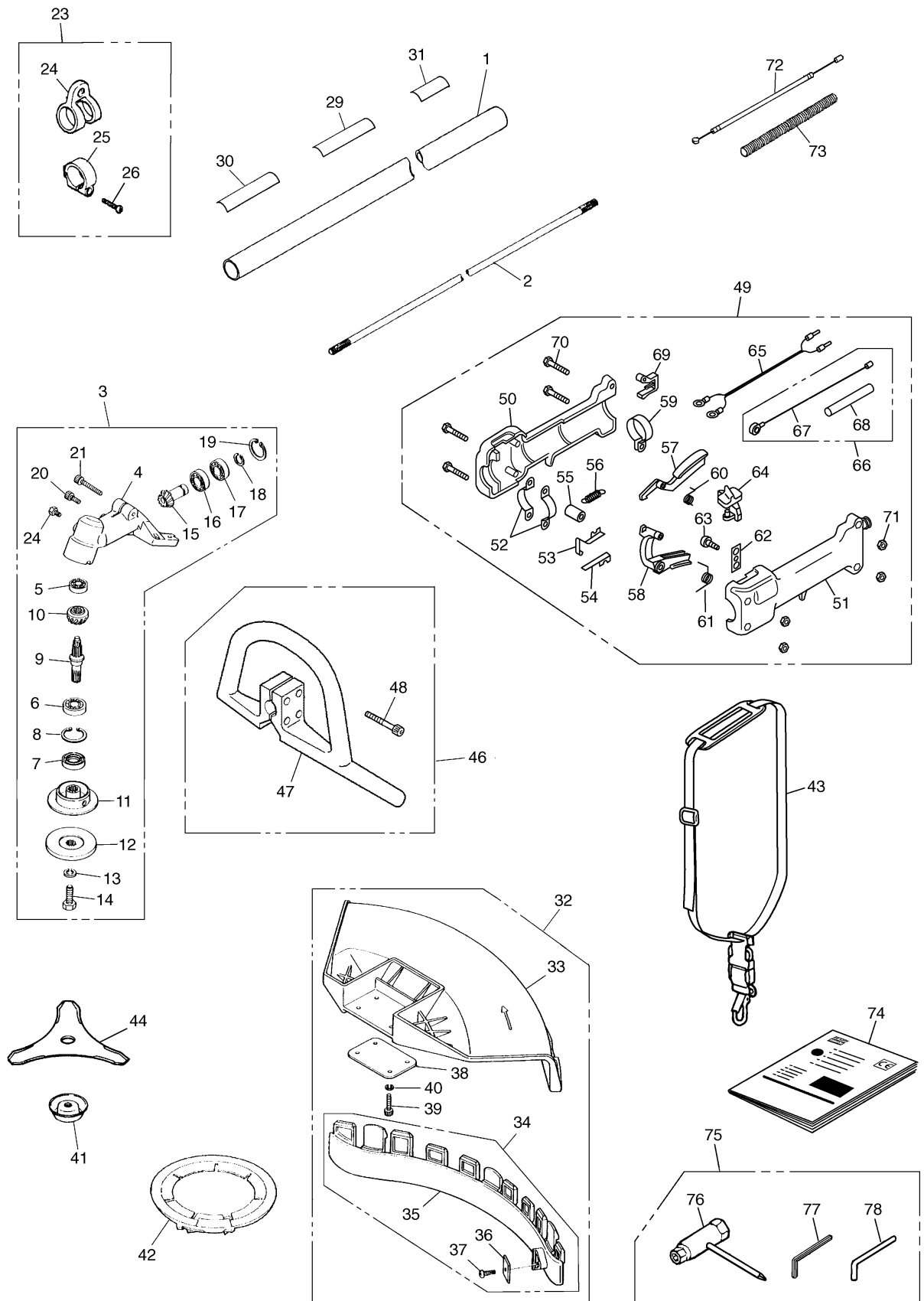


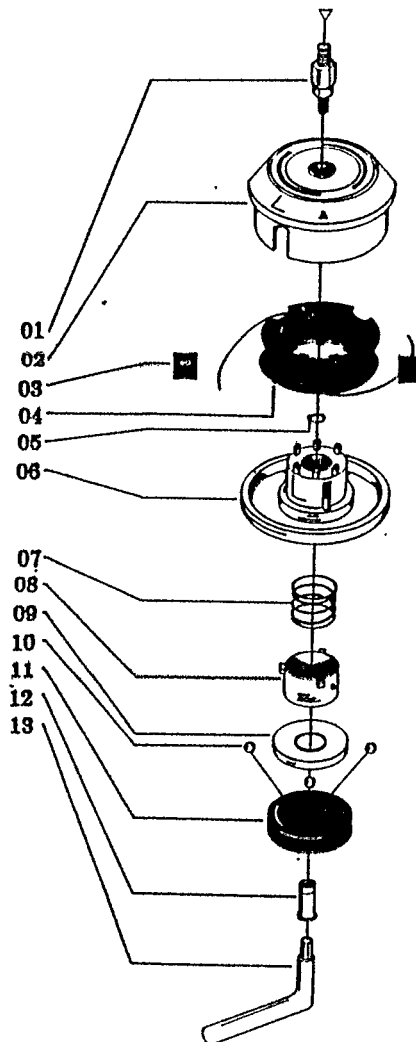
Fig.1 CUTTER GROUP

Key#	PART NUMBER	DESCRIPTION	Q'TY /UNIT	NOTE	Key#	PART NUMBER	DESCRIPTION	Q'TY /UNIT	NOTE
1	T3147-11300	PIPE COMP 1500x24xT1.5	1		65	K5200-000090	• CORD	1	
2	3520-12213	SHAFT, spline $\phi 7 \times 7$ teeth	1	1536x7	66	K5100-000270	• CABLE COMP	1	
3	T3109-13000	GEARCASE ASSY	1		67	K5100-000201	•• THROTTLE CABLE	1	
4	6489-13110	• GEARCASE	1		68	K5200-000130	•• SLEEVE	1	
5	06000-00626	• BEARING	1		69	K2300-000390	• LID	1	
6	06000-06000	• BEARING	1		70	B1176-090530	• SCREW	4	
7	3565-13130	• SEAL	1		71	B1181-04054506	• NUT	4	
8	04065-02612	• RING	1		72	T3109-83100	CABLE COMP.	1	
9	6440-13211	• SHAFT	1		73	T3109-83310	TUBE	1	
10	6440-13220	• GEAR	1		74	T3147-93110	MANUAL	1	
11	6423-13241	• HOLDER(A)	1		75	T3147-91000	TOOL SET	1	
12	6423-13250	• HOLDER(B)	1		76	3073-91111	• WRENCH	1	
13	3560-13290	• WASHER	1		77	09007-00425	• WRENCH	1	
14	3560-13261	• BOLT	1	M7x25(L)	78	3540-91110	• BAR	1	
15	T3002-13310	• PINION	1						
16	06000-00609	• BEARING	1						
17	06001-00609	• BEARING	1						
18	T3300-13330	• RING	1						
19	04065-02412	• RING	1						
20	01252-30510	• BOLT	1						
21	3350-21320	• BOLT	1	M5x30					
22	0224-40610	• BOLT	1						
23	6130-18000	HANGER ASSY	1						
24	6130-18101	• HANGER	1						
25	6130-18200	• CLUMP	1						
26	0263-90520	• SCREW	1						
29	T3147-12510	PLATE NAME	1						
30	6425-12552	PLATE CAUTION	1						
31	T3147-12590	No.PLATE	1						
32	6489-24000	GUARD ASSY	1						
33	6489-24110	• GUARD	1						
34	6489-24200	• PLATE COMP	1						
35	6489-24210	•• PLATE	1						
36	6489-24220	•• BLADE	1						
37	0277-10412	•• SCREW	1						
38	6489-24120	• PLATE	1						
39	01252-30516	• BOLT	4						
40	01601-20513	• WASHER	4						
41	3560-13284	COVER(BOLT)	1						
42	6251-15910	COVER(BLADE)	1						
43	T3300-17100	STRAP ASSY	1						
44	6298-E3390	SAW	1						
46	T3110-14000	HANDLE ASSY	1						
47	T3110-14110	• HANDLE	1						
48	0263-90530	• SCREW	4						
49	T3110-18000	GRIP ASSY	1						
50	K2300-000240	• GRIP (R)	1						
51	K2300-000230	• GRIP (L)	1						
52	K3200-000370	• CLAMP (A)	1						
53	K3300-000010	• PLATE (A)	1						
54	K3300-000020	• PLATE (B)	1						
55	K5100-000240	• COLLAR	1						
56	K5100-000220	• SPRING	1						
57	K2300-000260	• SAFETY LEVER	1						
58	K2300-000250	• THROTTLE LEVER	1						
59	K3200-000380	• CLAMP (B)	1						
60	K5100-000230	• SPRING	1						
61	K5100-000210	• SPRING	1						
62	K2300-000270	• PLATE	1						
63	B1122-C2910H	• SCREW	1						
64	K2300-000280	• SWITCH	1						

# Reservedelsliste for Feed-Matic snørehoved

for 'TEXAS' buskryddere

1992/1



Pos.nr.	Best.nr.	Tekst
01	10-101007	Adapter for BC 220
01a	10-101008	Adapter for 340 M
01b	10-101010	Adapter for 431 M
02	10-101061	Spolehus
03	10-106003	Snørestyr
04	10-101030	Spole
05	10-103025	Låsering
06	10-101053	Bund for spolehus
06a	10-201003	Komplet bund pos. 5-12
07	10-107006	Fjeder
08	10-101069	Fjederholder
09	10-101070	Kugleskål
10	10-102073	Stålkugle
11	10-101071	Kugleholder
12	10-101056	Bolt
13	10-109006	Nøgle
14	22007100	Snørehoved for BC 220 7 MM
15	34008125	Snørehoved for 340 M 8 MM
16	43110125	Snørehoved for 431 M 10 MM

Fig.2 ENGINE GROUP

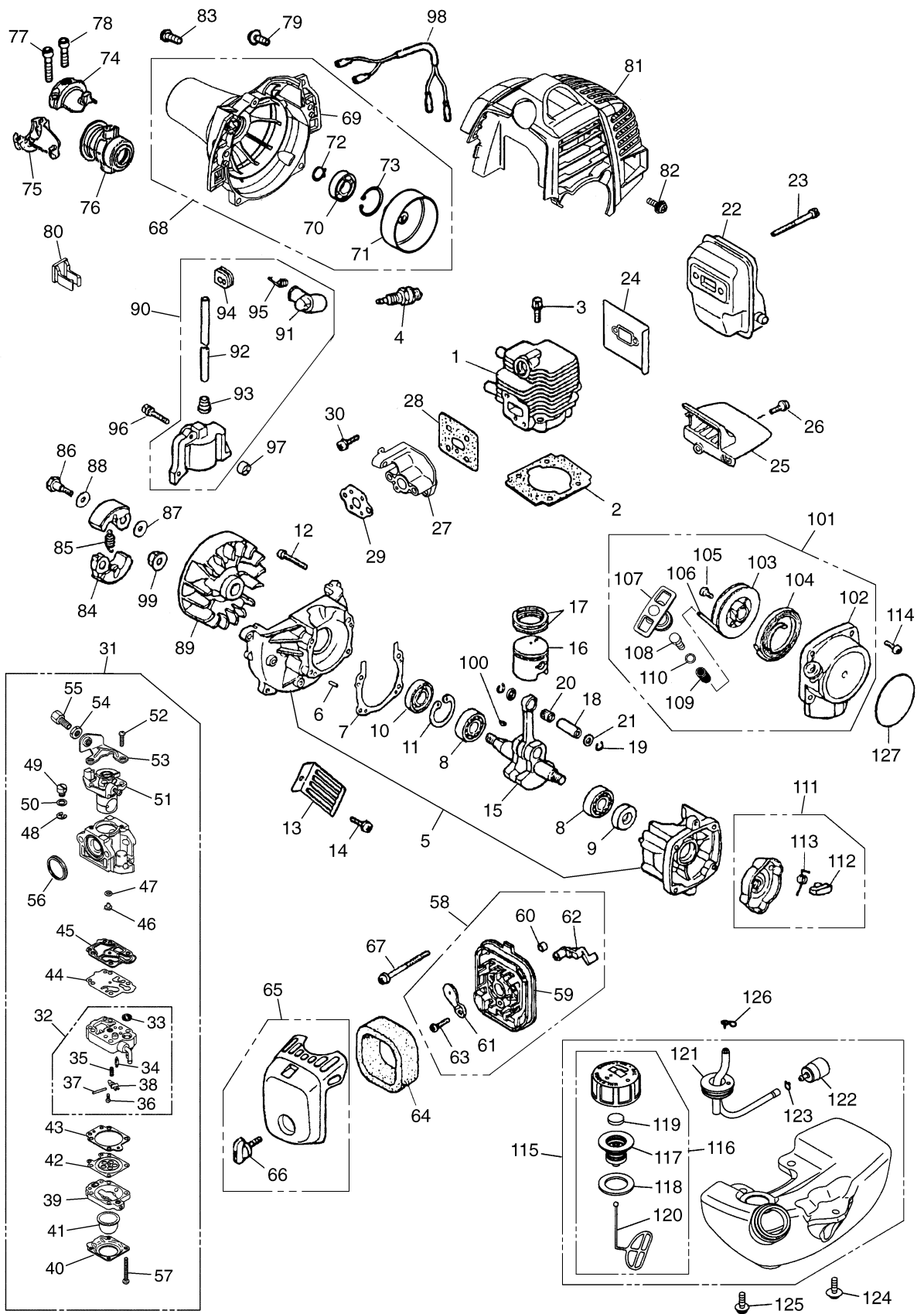


Fig.2 ENGINE GROUP

Key#	PART NUMBER	DESCRIPTION	Q'TY /UNIT	NOTE	Key#	PART NUMBER	DESCRIPTION	Q'TY /UNIT	NOTE
1	T1800-12110	CYLINDER	1		65	T1701-82200	COVER ASS'Y	1	
2	5500-12213	GASKET, base	1		66	5500-82221	• KNOB	1	
3	1850-12130	BOLT	2		67	0263-90560	SCREW	2	
4	5933-73110	PLUG, BPMR7A	1		68	T1702-31100	HOUSING-ASS'Y	1	
5	5500-21100	CRANKCASE-C	1		69	T1701-31110	• HOUSING	1	
6	2629-21130	• PIN	3		70	06002-06001	• BEARING	1	
7	5500-21141	GASKET	1		71	4810-31120	• DRUM	1	
8	06030-06001	BEARING	2		72	04064-01210	• RING	1	
9	2169-21210	SEAL	1		73	04065-02812	• RING	1	
10	1850-21220	SEAL	1		74	T1700-31212	BRACKET (A)	1	
11	04065-02812	SNAP RING	1		75	T1700-31221	BRACKET (B)	1	
12	01252-30530	BOLT	3		76	T1700-31232	CUSHION	1	
13	5500-22110	GUARD	1		77	01252-30522	BOLT	2	
14	0263-90514	SCREW	1		78	01252-30510	BOLT	1	
15	5500-42001	CRANKSHAFT-C	1		79	0263-90520	SCREW	4	
16	5910-41110	PISTON	1		80	T1600-72210	CLAMP	1	
17	5910-41210	RING	2		81	T1700-32110	COVER, engine	1	
18	1600-41310	PIN	1		82	T1700-32162	SCREW	1	
19	1260-41320	RING	2		83	0263-90514	SCREW M5x14	1	
20	5500-41410	BEARING	1		84	1140-51111	SHOE	2	
21	1101-41340	WASHER	2		85	T1700-51220	SPRING	1	
22	T1700-15110	MUFFLER	1		86	1140-51250	SCREW	2	
23	01252-30550	BOLT	2		87	1140-51230	WASHER	2	
24	T1600-15210	GASKET	1		88	1970-51241	WASHER	2	
25	5500-15221	PLATE	1		89	T1700-71110	ROTOR	1	
26	0263-90416	SCREW	1		90	T1700-71201	COIL-A	1	
27	T1700-13160	INSULATOR	1		91	5500-72110	• CAP	1	
28	5500-13121	GASKET, insulator	1		92	T1700-71220	• CORD	1	
29	5500-13131	GASKET, carburetor	1		93	2616-71320	• CAP	1	
30	0263-90520	SCREW	2		94	5500-72130	• GROMMET	1	
31	T1800-81000	CARBURETOR-A	1	WYJ-290	95	5500-72120	• SPRING	1	
32	1794-81450	• BODY-A	1		96	3310-72150	BOLT	2	
33	3306-81380	•• SCREEN	1		97	T1700-71260	SPACER	2	
34	3356-81310	•• VALVE, inlet	1		98	T1700-73200	CORD-C	1	
35	1794-81270	•• SPRING	1		99	1650-43230	NUT	1	
36	1850-81220	•• SCREW	1		100	1000-43240	KEY	1	
37	3310-81250	•• PIN	1		101	T1700-75100	RECOIL ASS'Y	1	
38	3310-81230	•• LEVER	1		102	5500-75110	• CASE-C	1	
39	1850-81490	• BODY	1		103	1850-75120	• REEL	1	
40	1850-81520	• COVER, pump	1		104	1850-75130	• SPRING	1	
41	1751-81510	• PUMP, primer	1		105	1850-75151	• SCREW	1	
42	3310-81260	• DIAPHRAM, metaling	1		106	T1600-75160	• ROPE	1	
43	1850-81470	• GASKET	1		107	T1600-75310	• KNOB	1	
44	1065-81420	• DIAPHRAGM, pump	1		108	T1600-75320	• COLLAR	1	
45	1065-81410	• GASKET	1		109	T1600-75330	• SPRING	1	
46	T1800-81250	• JET	1	#39.5	110	T1600-75210	• WASHER	1	
47	1751-81240	• O-RING	1		111	1850-75201	PULLEYASS'Y	1	
48	1751-81130	• RING	1		112	1850-75221	• RATCHET	1	
49	1881-81140	• SWIVEL	1		113	1850-75230	• SPRING	1	
50	5500-81160	• WASHER	1		114	T1700-32162	SCREW	4	
51	T1700-81150	• VALVE ASSY	1		115	T1800-85001	TANK ASS'Y	1	
52	1752-81110	• SCREW	2		116	5607-85201	• CAP ASSY	1	
53	5500-81120	• BRACKET	1		117	5601-85300	•• HOLDER ASS'Y	1	
54	1751-81180	• NUT	1		118	5500-85220	•• PACKING	1	
55	1918-81170	• SCREW, adjust	1		119	5601-85260	•• FILTER	1	
56	1881-81130	• RING	1		120	5601-85260	•• STOPPER	1	
57	1850-81530	• SCREW	4		121	5500-85300	• PIPE-C	1	
58	T1700-82100	BODY-ASSY	1		122	5500-85400	• FILTER ASS'Y	1	
59	5500-82111	• BODY	1		123	1260-85460	• CLIP	1	
60	1970-82190	• SLEEVE	2		124	5910-85510	SCREW	1	
61	T1700-82130	• PLATE, choke	1		125	5500-85510	SCREW	2	
62	T1700-82140	• LEVER, choke	1		126	1950-86120	CLIP	1	
63	2630-33610	• SCREW	1		127	T1807-75410	LABEL, recoil	1	
64	5500-82171	ELEMENT	1						