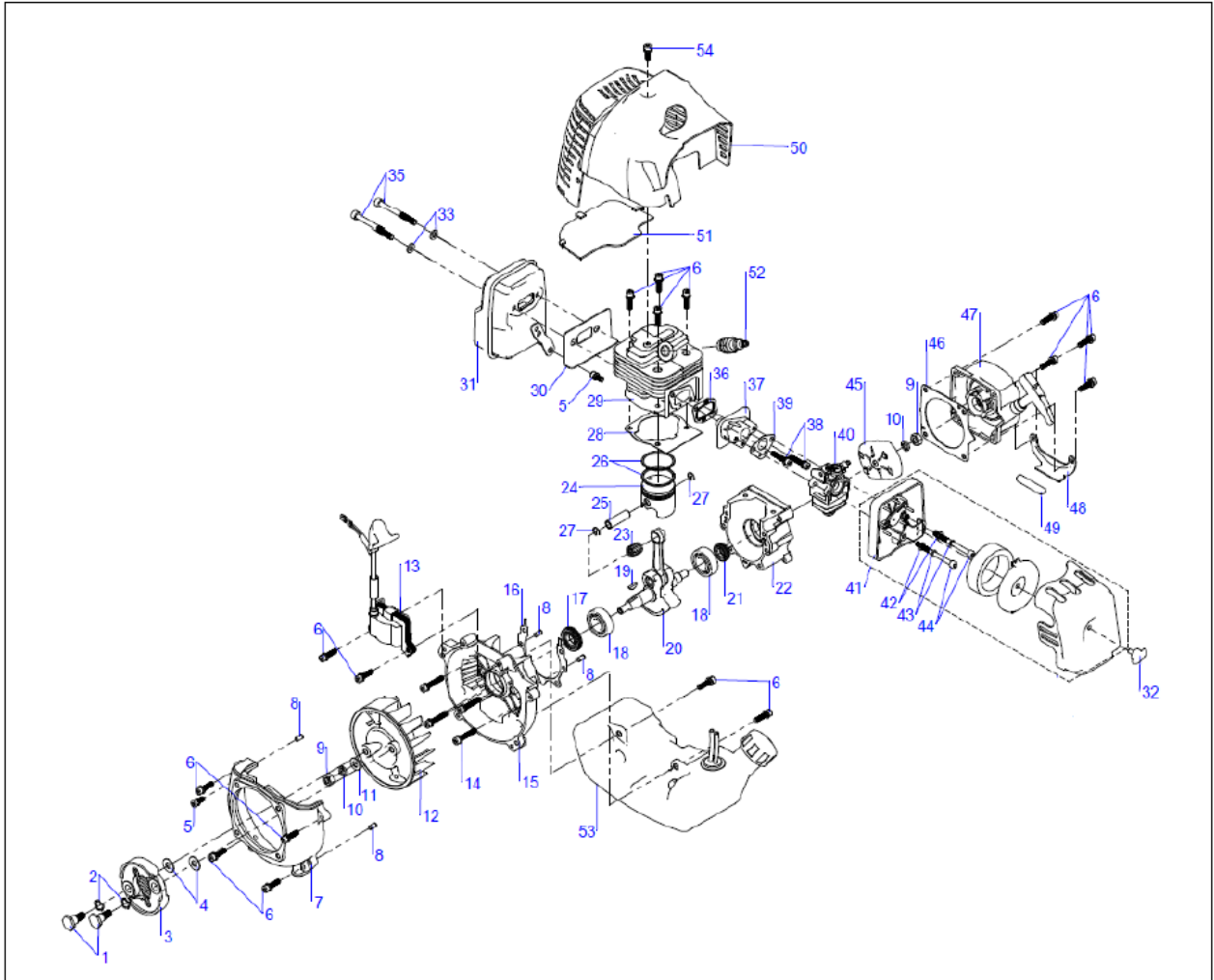


Model: BCU43D

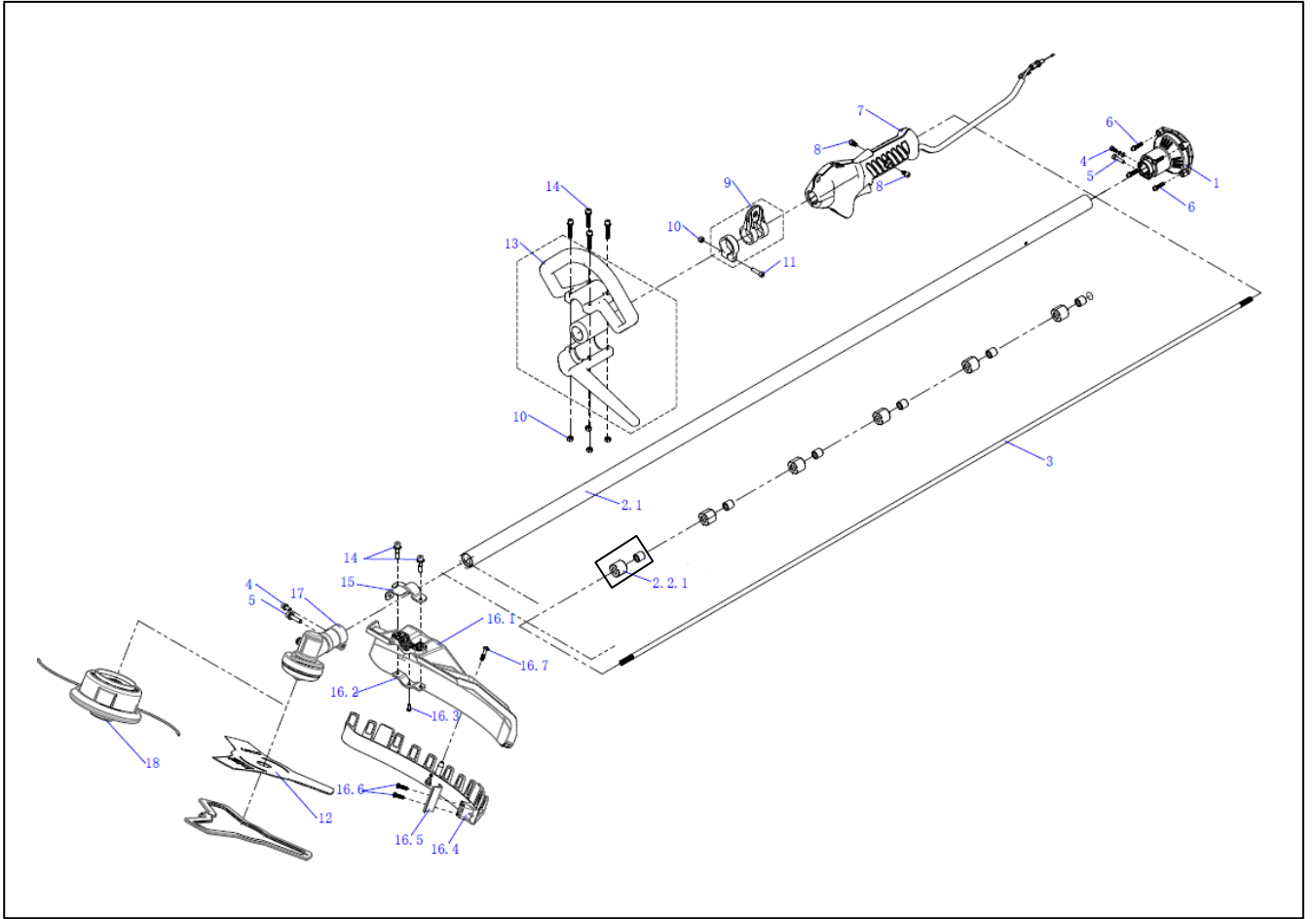
Part number: 90067087

Year: 2021



| POS | QTY | PARTNUMBER | BESKRIVELSE | DESCRIPTION |
|-----|-----|------------|--------------------------|------------------------------------|
| 1 | 2 | 423190 | BOLT | BOLT |
| 2 | 2 | 423191 | BØLGESKIVE 0.3X10.2X14.4 | WAVE WASHER 0.3X10.2X14.4 |
| 3 | 1 | 423192 | KOBLING | CLUTCH |
| 4 | 2 | 423193 | SKIVE | WASHER B |
| 5 | 2 | 423176 | SKRUE M5X12 | SCREW M5X12 |
| 6 | 6 | 438253 | SKRUE M5X20 | M5X20 SCREW |
| 7 | 1 | 448306 | SVINGHJULSHUS | FLY WHEEL COVER |
| 8 | 4 | 443363 | BØS | PIN 6*10 |
| 9 | 2 | 423196 | MØTRIK M8 | NUT M8 |
| 10 | 2 | 423137 | FJEDERSKIVE M8 | SPRING WASHER M8 |
| 11 | 1 | 423138 | SKIVE 8 | FLAT WASHER 8 |
| 12 | 1 | 423229 | SVINGHJUL | FLYWHEEL |
| 13 | 1 | 423230 | TÆNDSPOLE | IGNITION COIL |
| 14 | 4 | 423140 | SKRUE M5X30 | SCREW M5X35 |
| 15 | 1 | 448307 | KRUMTAPHUS | FRONT-HALF CRANKSHAFT CASE |
| 16 | 1 | 423232 | PAKNING | CRANKSHAFT GASKET |
| 17 | 1 | 423233 | PAKDÅSE 15X30X7 | OIL SEAL 15X30X7 |
| 18 | 2 | 443355 | LEJE | BEARING 6202 |
| 19 | 1 | 423145 | NOT 3X3,8X11 | HALF-ROUND KEY 3X5X13 |
| 20 | 1 | 423235 | KRUMTAP | CRANKSHAFT ASSY |
| 21 | 1 | 423143 | PAKDÅSE 12X22X7 | OIL SEAL 12X22X7 |
| 22 | 1 | 448308 | KRUMTAPHUS | BACK-HALF CRANKSHAFT CASE |
| 23 | 1 | 423236 | NÅLELEJE 10X13X15 | NEEDLE BEARING-SMALL HEAD 10X13X15 |
| 24 | 1 | 423237 | STEMPEL | PISTON |
| 25 | 1 | 423238 | KRYDSPIND | PISTON PIN |
| 26 | 2 | 423239 | STEMPELRING | PISTON RING |
| 27 | 2 | 423240 | LÅSERING | PISTON PIN CHECK RING |
| 28 | 1 | 423241 | PAKNING | CYLINDER GASKET |
| 29 | 1 | 423242 | CYLINDER 43CC | CYLINDER 43CC |
| 30 | 1 | 423243 | UDSTØDNINGSPAKNING | MUFFLER GASKET |
| 31 | 1 | 448309 | UDSTØDNING | MUFFLER-EU 1 43 |
| 33 | 2 | 445526 | SKIVE 6 | FLAT WASHER 6 |
| 35 | 2 | 423246 | SKRUE M6X60 | SCREW M6X60 |
| 36 | 1 | 448310 | PAKNING | INLET GASKET |
| 37 | 1 | 423248 | INDSUGNINGSRØR | INLET PIPE |
| 38 | 2 | 445524 | SKRUE M5X25 | M5X25 SCREW |
| 39 | 1 | 423249 | PAKNING | CARBURATOR GASKET |
| 40 | 1 | 423250 | KARBURATOR | CARBURETTOR |
| 32 | 1 | 445525 | SKRUE | AIR FILTER KNOB |
| 41 | 1 | 423251 | LUFTFILTERHUS KOMPLET. | AIRFILTER HOUSING ASSY |
| 42 | 2 | 438251 | SKIVE 5 | FLAT WASHER 5 |
| 43 | 2 | 438250 | FJEDERSKIVE 5 | SPRING WASHER 5 |
| 44 | 2 | 423168 | SKRUE M5X55 | SCREW M5X55 |
| 45 | 1 | 423219 | STARTTRISSE | STARTER CATCH PLATE |
| 46 | 1 | 423220 | PAKNING | STARTER GASKET |
| 47 | 1 | 423221 | REKYLSTARTER BCU33/BCU43 | EASY-START STARTER |
| 48 | 1 | 423222 | BESLAG | FUEL TANK HOLDING PLATE |

| POS | QTY | PARTNUMBER | BESKRIVELSE | DESCRIPTION |
|-----|-----|------------|---------------|-----------------------------|
| 49 | 1 | 423223 | GUMMIPAKNING | HOLDING PLATE RUBBER GASKET |
| 50 | 1 | 423252 | MOTORDÆKSEL | ENGINE CASE COVER |
| 51 | 1 | 423253 | VARMESKJOLD | ENGINE CASE COVER Baffle |
| 52 | 1 | 423225 | TÆNDRØR BM6A | SPARK PLUGS BM6A |
| 53 | 1 | 423226 | BRÆNDSTOFTANK | FUEL TANK ASSY |
| 54 | 1 | 423132 | SKRUE M5X16 | SCREW M5X16 |



| POS | QTY | PARTNUMBER | BESKRIVELSE | DESCRIPTION |
|-------|-----|------------|--------------------|-------------------------------------|
| 1 | 1 | 448315 | KOBLINGSHUS | CONNECTER ASSY |
| 2.1 | 1 | 448316 | RØR 26X1500 | ALUMINUM WORKING SHAFT Ø26X1500C |
| 2.2.1 | 5 | 419002 | BØSNING | BUSHING |
| 3 | 1 | 448317 | AKSEL 8X1520 | HARD SHAFT 8X1520 |
| 4 | 3 | 423176 | SKRUE M5X12 | SCREW M5X12 |
| 5 | 2 | 423177 | SKRUE M6X25 | SCREW M6X25 |
| 6 | 4 | 423185 | SKRUE M6X30 | SCREW M6X30 |
| 7 | 1 | 427106 | GASHÅNDTAG | THROTTLE TRIGGER ASSY |
| 8 | 2 | 427107 | SKRUE M5X8 | SCREW M5X8 |
| 9 | 1 | 419519 | BÆREKROG | HOOK |
| 10 | 6 | 419014 | MØTRIK M5 | NUT M5 |
| 11 | 1 | 438295 | SKRUE M5X30 | M5X30 SCREW |
| 12 | 1 | 427117 | 3-TANDSKLINGE | BLADE |
| 13 | 1 | 427111 | HÅNDTAG KOMPLET | LOOP HANDLE ASSY |
| 14 | 6 | 448318 | SKRUE M6X25 | M6X25 SCREW |
| 15 | 1 | 448319 | BESLAG | GUARD COVER CONNECTER PLATE |
| 16.1 | 1 | 448320 | SKÆRM | PLASTIC PROTECTION GUARD |
| 16.2 | 1 | 448321 | BESLAG | LOWER PRESS PLATE |
| 16.3 | 2 | 438279 | SKRUE ST4.2X10-H-F | ST4.2X10-H-F SCREW |
| 16.4 | 1 | 445535 | SKÆRM STØTTE | PROTECTION GUARD HOLDER |
| 16.5 | 1 | 448322 | KNIV | NYLON LINE CUTTING BLADE |
| 16.6 | 1 | 445534 | SKRUE ST4.2X16-H-F | ST4.2X16-H-F |
| 16.7 | 1 | 445539 | SKRUE ST4.8X20-H-F | ST4.8X20-H-F |
| 17 | 1 | 448323 | VINKELGEAR | GEAR BOX M |
| 18 | 1 | 419030 | TRIMMERHOVED | TRIMMER HEAD DB |