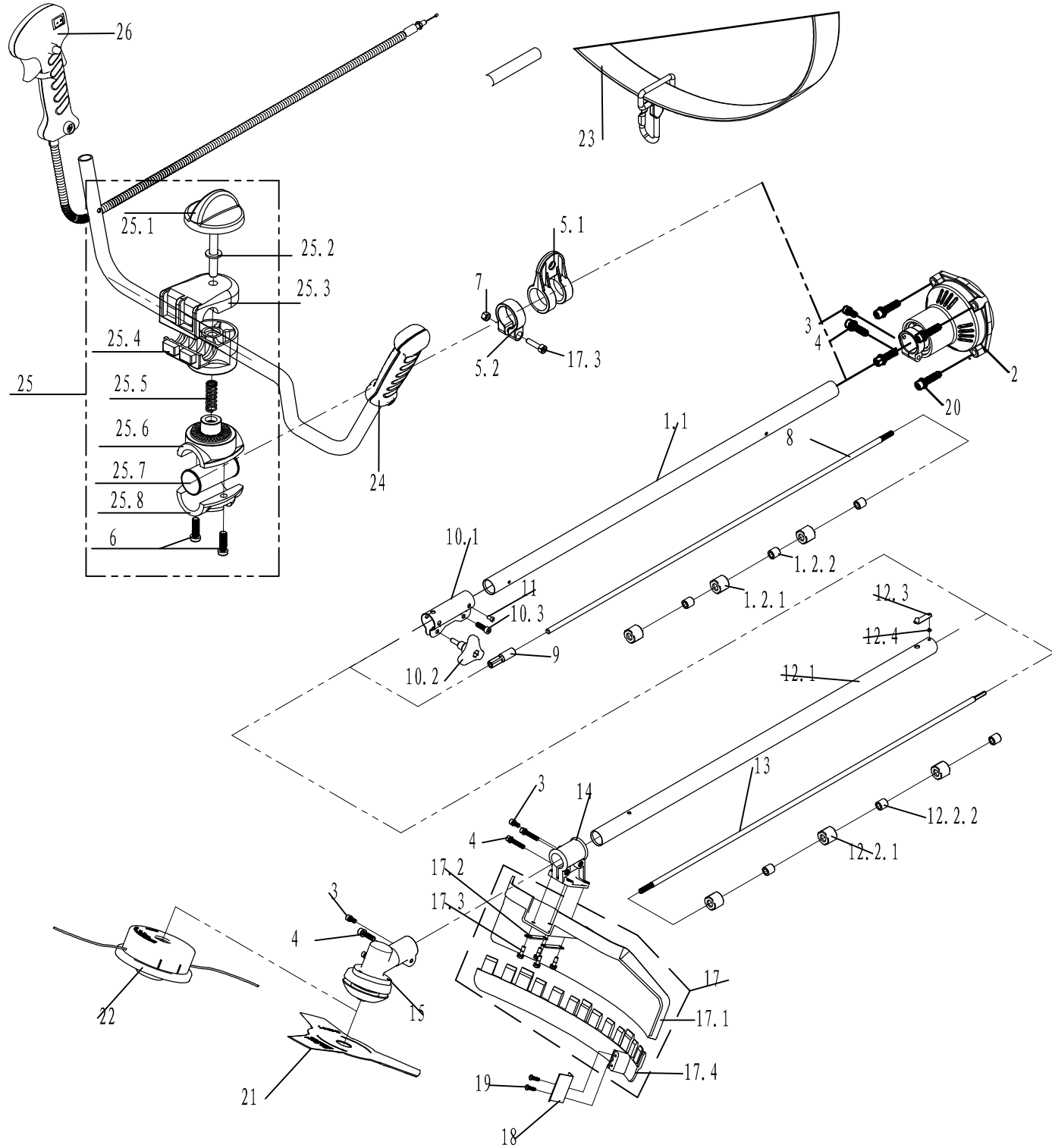


| POS | QTY | PARTNUMBER | BESKRIVELSE | DESCRIPTION |
|-----|-----|------------|--------------------------|----------------------------------|
| 1 | 2 | 427101 | SKRUE | SCREW |
| 2 | 2 | 423191 | BØLGESKIVE 0.3X10.2X14.4 | CORRUGATED DISC 0.3X10.2X14.4 |
| 3 | 1 | 423192 | KOBLING BCU33 | CLUTCH BCU33 |
| 4 | 2 | 423193 | SKIVE B | WASHER B |
| 5 | 18 | 423133 | SKRUE M5X20 | SCREW M5X20 |
| 6 | 1 | 423194 | HUS SVINGHJUL | HOUSING |
| 7 | 4 | 423148 | NOT B5X10 | KEY B5X10 |
| 8 | 1 | 423195 | PLADE | PLATE |
| 9 | 2 | 423196 | MØTRIK M8 | NUT M8 |
| 10 | 2 | 423137 | FJEDERSKIVE M8 | SPRING COLLAR M8 |
| 11 | 1 | 423138 | SKIVE 8 | WASHER 8 |
| 12 | 1 | 423197 | SVINGHJUL | FLYWHEEL |
| 13 | 4 | 423140 | SKRUE M5X30 | SCREW M5X30 |
| 14 | 1 | 423198 | KRUMTAPSHUS | HOUSING |
| 15 | 1 | 423199 | TÆNDSPOLE | IGNITION COIL |
| 16 | 1 | 423200 | PAKNING | GASKET |
| 17 | 2 | 423143 | PAKDÅSE 12X22X7 | OIL SEAL 12X22X7 |
| 18 | 2 | 423201 | KUGLELEJE 12X32X10 | BALL BEARING 12X32X10 |
| 19 | 1 | 423145 | NOT 3X3,8X11 | KEY 3X3,8X11 |
| 20 | 1 | 423202 | KRUMTAP | CRANK |
| 21 | 1 | 423203 | KRUMTAPHUS | HOUSING |
| 22 | 1 | 423204 | NÅLELEJE 9X12X12 | NEEDLE BEARING 9X12X12 |
| 23 | 1 | 423205 | STEMPEL | PISTON |
| 24 | 1 | 423206 | KRYDSPIND | CROSSHEAD TUBE |
| 25 | 2 | 423207 | LÅSERING | LOCKING RING |
| 26 | 2 | 423208 | STEMPELRING | PISTON RING |
| 27 | 1 | 423209 | PAKNING | GASKET |
| 28 | 1 | 423210 | CYLINDER 33 CC | CYLINDER 33 CC |
| 29 | 1 | 423211 | UDSTØDNINGSPAKNING | GASKET EXHAUST |
| 30 | 1 | 423212 | UDSTØDNING | EXHAUST |
| 31 | 2 | 423213 | SKRUE M5X12 | SCREW M5X12 |
| 32 | 1 | 423214 | UDSTØDNINGSSKÆRM | EXHAUST GUARD |
| 33 | 4 | 419005 | SKIVE M5 | WASHER M5 |
| 34 | 4 | 419006 | FJEDERSKIVE M5 | SPRING COLLAR M5 |
| 35 | 4 | 423161 | SKRUE M5X55 | SCREW M5X55 |
| 36 | 1 | 423215 | INDSUGNINGSPAKNING | INTAKE SEAL |
| 37 | 1 | 423216 | INDSUGNINGSRØR | INTAKE PIPE |
| 38 | 1 | 423217 | KARBURATORPAKNING | CARBURETTOR SEAL |
| 39 | 1 | 423218 | KARBURATOR | CARBURETTOR |
| 40 | 1 | 423167 | LUFTFILTERHUS | AIRFILTER HOUSING |
| 41 | 1 | 423219 | STARTTRISSE | STARTER SPOOL |
| 42 | 1 | 423220 | PAKNING | GASKET |
| 43 | 1 | 423221 | REKYLSTARTER | RECOILSTARTER |
| 44 | 1 | 423222 | BESLAG | BRACKET |
| 45 | 1 | 423223 | GUMMIPAKNING | GASKET |
| 46 | 1 | 419521 | SKÆRM | GUARD |
| 47 | 1 | 423224 | VARMESKJOLD | HEAT SHIELD |
| 48 | 1 | 423132 | SKRUE M5X16 | SCREW M5X16 |
| 49 | 1 | 423225 | TÆNDRØR BM6A | SPARK PLUGS BM6A |

| POS | QTY | PARTNUMBER | BESKRIVELSE | DESCRIPTION |
|-----|-----|------------|---------------|-------------|
| 50 | 1 | 423226 | BRÆNDSTOFTANK | FUEL TANK |



| POS | QTY | PARTNUMBER | BESKRIVELSE | DESCRIPTION |
|--------|-----|------------|---------------------------------|---|
| 1.1 | 1 | 423174 | RØR 26X760 | TUBE 26X760 |
| 1.2.1 | 3 | 419002 | BØSNING | BUSHING |
| 1.2.2 | 3 | 419003 | BØS 8X14X14 | BUSHING 8X14X14 |
| 2 | 1 | 423227 | KOBLINGSHUS | CLUTCH HOUSING |
| 3 | 3 | 423176 | SKRUE M5X12 | SCREW M5X12 |
| 4 | 2 | 423177 | SKRUE M6X25 | SCREW M6X25 |
| 5.1 | 1 | 419518 | KROG | HOOK |
| 5.2 | 1 | 419519 | BÆREKROG | HOOK |
| 6 | 2 | 423178 | SKRUE SÆT M6X20 | SCREW M6X20 |
| 7 | 7 | 419014 | MØTRIK M5 | NUT M5 |
| 8 | 1 | 419453 | FLEKSEL 8X762A | FLEXIBLE AXLE 8X762A |
| 9 | 1 | 419454 | FORBINDER | CONNECTOR |
| 10.1 | 1 | 419455 | BESLAG | BRACKET |
| 10.2 | 1 | 419456 | VINGEMØTRIK | WING NUT |
| 10.3 | 1 | 419457 | BOLT M6X20 | BOLT M6X20 |
| 11 | 2 | 419458 | SKRUE ST4.8X8 | SCREW ST4.8X8 |
| 12.1 | 1 | 423179 | RØR 26X735 | TUBE 26X735 |
| 12.2.1 | 3 | 419002 | BØSNING | BUSHING |
| 12.2.2 | 3 | 419003 | BØS 8X14X14 | BUSHING 8X14X14 |
| 12.3 | 1 | 419460 | PIN | PIN |
| 12.4 | 1 | 419461 | NITTE | RIVET |
| 13 | 1 | 419462 | FLEKSEL | FLEXIBLE AXLE |
| 14 | 1 | 423180 | VINKELBESLAG | ANGLE BRACE |
| 15 | 1 | 419015 | VINKELGEAR | GEARBOX |
| 16 | 2 | 423140 | SKRUE M5X30 | SCREW M5X30 |
| 17.1 | 1 | 423181 | SKÆRM | GUARD |
| 17.2 | 2 | 423182 | SKIVE | WASHER |
| 17.3 | 4 | 423183 | SKRUE M5X16 | SCREW M5X16 |
| 17.4 | 1 | 419019 | SKÆRM STØTTE | HOLDER |
| 18 | 1 | 419021 | KNIV | BLADE |
| 19 | 2 | 423184 | SKRUE ST4.2X12-H-C | SCREW ST4.2X12-H-C |
| 20 | 4 | 423185 | SKRUE M6X30 | SCREW M6X30 |
| 21 | 1 | 419029 | 3-TANDSKLINGE | BLADE |
| 22 | 1 | 419030 | TRIMMERHOVED | TRIMMER HEAD |
| 23 | 1 | 423186 | SELE TIL BCU BUSKRYDDER | HARNESS |
| 24 | 1 | 430381 | HÅNDTAG ALU MED VENSTRE GREB | U TYPE HANDLE LEFT PART WITH ALUMINIUM |
| 25 | 1 | 423187 | STYRHOLDER KOMPLET | GUIDE HOLDER |
| 26 | 1 | 430380 | GASHÅNDTAG | U TYPE RIGHT HANDLE WITH THROTTLE |