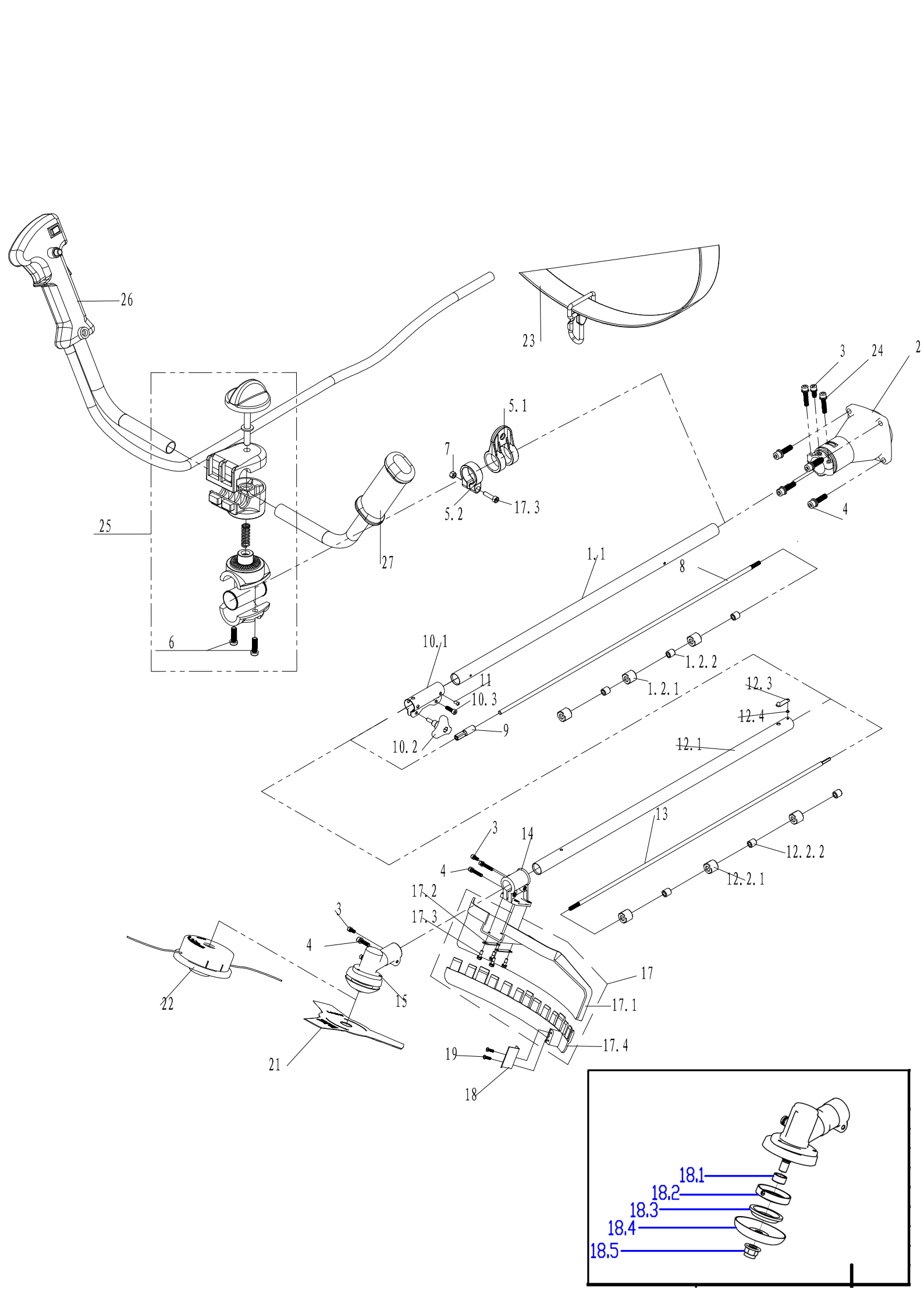


POS	QTY	PARTNUMBER	BESKRIVELSE	DESCRIPTION
1	2	423128	SKRUE	SCREW AXES
2	2	423129	SKIVE 0.3X10.23X14.4	WAVE WASHER0.3X10.2X14.4
3	1	423130	KOBLING	CLUTCH
4	2	423131	SKIVE 6.1X15.2	FLAT WASHER 6.1X15.2
5	5	423132	SKRUE M5X16	M5X16 SCREW
6	12	423133	SKRUE M5X20	M5X20 SCREW
7	1	423134	SVINGHJULSHUS	FLY WHEEL COVER
8	1	423135	TÆNDSPOLE	IGNITION COIL
9	1	423136	MØTRIK M8X1	M8 X1NUT
10	2	423137	FJEDERSKIVE M8	SPRING WASHER 8
11	2	423138	SKIVE 8	FLAT WASHER 8
12	1	423139	SVINGHJUL	FLY WHEEL
13	3	423140	SKRUE M5X30	M5X30 SCREW
14	2	423141	NOT B4X10	ROUND PIN B4X10
15	1	423142	KRUMTAPHUS	FRONT-HALF CRANKSHAFT CASE
16	2	423143	PAKDÅSE TC12X22X7	OIL SEAL TC12X22X7
17	2	423144	LEJE 6001	BEARING 6001
18	1	423145	NOT 3X5X13	HALF-ROUND KEY3X5X13
19	1	423146	KRUMTAP	CRANKSHAFT ASSY
20	1	423147	PAKNING	CRANKSHAFT GASKET
21	2	423148	NOT B5X10	ROUND PIN B5X10
22	1	423149	KRUMTAPHUS HALVDEL	BACK-HALF CRANKSHAFT CASE
23	1	423150	STARTTRISSE	STARTER CATCH PLATE
24	1	423151	REKYLSTARTER KPL.	EASY-START STARTER
25	1	423152	NÅLELEJE 8X11X11	"NEEDLE BEARING-SMALL HEAD (KBK8X11X11"
26	2	423153	LÅSERING	PISTON PIN CHECK RING
27	1	423154	KRYDSPIND	PISTON PIN
28	1	423155	STEMPEL	PISTON
29	2	423156	STEMPELRING	PISTON RING
30	1	423157	BUNDPAKNING	CYLINDER GASKET
31	1	423158	CYLINDER 26 CC	CYLINDER - 26CC-EU 2
32	1	423159	UDTØDNINGSPAKNING	MUFFLER GASKET
33	1	423160	UDSTØDNING DC	MUFFLER-EU2 DC
34	4	419005	SKIVE M5	WASHER M5
35	4	419006	FJEDERSKIVE M5	SPRING COLLAR M5
36	2	423161	SKRUE M5X55	M5X55 SCREW
37	1	423162	TÆNDRØR L8RTC	SPARK PLUG L8RTC
38	1	423163	INDSUGNINGSPAKNING	INLET GASKET
39	1	423164	INDSUGNINGSRØR	INLET PIPE
40	1	423165	KARBURATORPAKNING	CARBURATOR GASKET
41	1	423166	KARBURATOR	CARBURATOR
42	1	423167	LUFTFILTERHUS	AIR FILTER ASSY
43	2	423168	SKRUE M5X60	M5X60 SCREW
44	1	423169	BRÆNDSTOFTANK	FUEL TANK ASSY
45	1	423170	TANK PROTECTION BASE	TANK PROTECTION BASE
46	3	423171	SKRUE M5X25	M5X25 SCREW

POS	QTY	PARTNUMBER	BESKRIVELSE	DESCRIPTION
47	1	423172	VARMESKJOLD	ENGINE CASE COVER BAFFLE
48	1	423173	MOTORDÆKSEL	ENGINE CASE COVER



POS	QTY	PARTNUMBER	BESKRIVELSE	DESCRIPTION
1-1	1	423174	RØR 26X760	TUBE 26X760
1-2-1	3	419002	BØSNING	BUSHING
1-2-2	3	419003	BØS 8X14X14	BUSHING 8X14X14
2	1	423175	KOBLINGSHUS	CLUTCH HOUSING
3	3	423176	SKRUE M5X12	SCREW M5X12
4	2	423177	SKRUE M6X25	SCREW M6X25
5-1	1	419518	KROG	HOOK
5-2	1	419519	BÆREKROG	HOOK
6	2	423178	SKRUE SÆT M6X20	SCREW M6X20
7	7	419014	MØTRIK M5	NUT M5
8	1	419453	FLEXAKSEL 8X762A	FLEXIBLE AXLE 8X762A
9	1	419454	FORBINDER	CONNECTOR
10-1	1	419455	BESLAG	BRACKET
10-2	1	419456	VINGEMØTRIK	WING NUT
10-3	1	419457	BOLT M6X20	BOLT M6X20
11	2	419458	SKRUE ST4.8X8	SCREW ST4.8X8
12-1	1	423179	RØR 26X735	TUBE 26X735
12-2-1	3	419002	BØSNING	BUSHING
12-2-2	3	419003	BØS 8X14X14	BUSHING 8X14X14
12-3	1	419460	PIN	PIN
12-4	1	419461	NITTE	RIVET
13	1	419462	FLEXAKSEL	FLEXIBLE AXLE
14	1	423180	VINKELBESLAG	ANGLE BRACE
15	1	419015	VINKELGEAR	GEARBOX
18,1	1	430232	BØS FOR VINKELGEAR	GEAR BOX LINER BUSHING
18,2	1	430233	FLANGE FOR VINKELGEAR	GEAR BOX BLADE FLANGE
18,3	1	430234	SKIVE FOR VINKELGEAR	GEAR BOX BLADE CLAMP
18,4	1	430235	STØVDÆKSEL FOR VINKELGEAR	GEAR BOX ANTI-DUST COVER
18,5	1	430051	MØTRIK LINKS M10X1,25	NUT M10X1,25
16	2	423140	SKRUE M5X30	SCREW M5X30
17	1	425269	SKÆRM KOMPLET	GUARD
17-1	1	423181	SKÆRM	GUARD
17-2	2	423182	SKIVE	WASHER
17-3	4	423183	SKRUE M5X16	SCREW M5X16
17-4	1	419019	SKÆRM STØTTE	HOLDER
18	1	419021	KNIV	BLADE
19	2	423184	SKRUE ST4.2X12-H-C	SCREW ST4.2X12-H-C
20	4	423185	SKRUE M6X30	SCREW M6X30
21	1	419029	3-TANDSKLINGE	BLADE
22	1	419030	TRIMMERHOVED	TRIMMER HEAD
23	1	423186	SELE TIL BCU BUSKRYDDER	HARNESS
24	2	423171	SKRUE M5X25	SCREW M5X25
25	1	423187	STYRHOLDER KOMPLET	GUIDE HOLDER
26	1	423188	HÅNDTAG BCU HØJRE	HANDLE HØJRE
27	1	423189	HÅNDTAG BCU VENSTRE	HANDLE