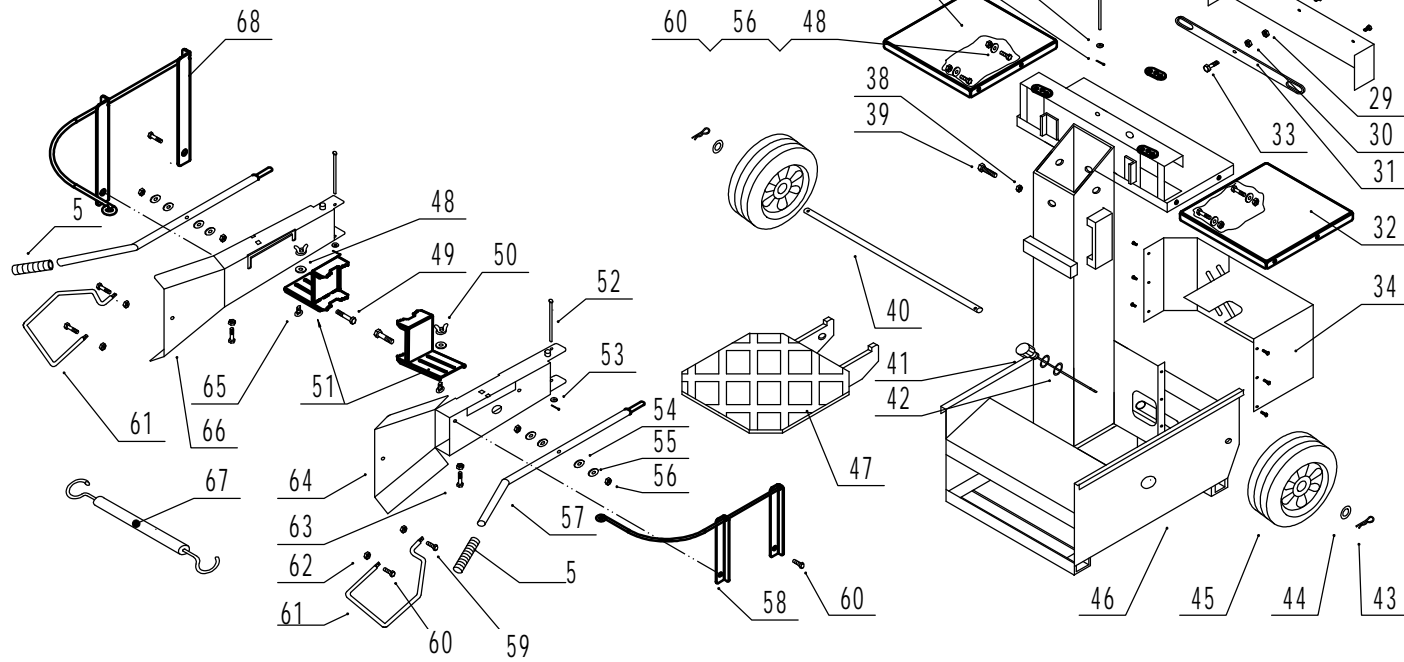
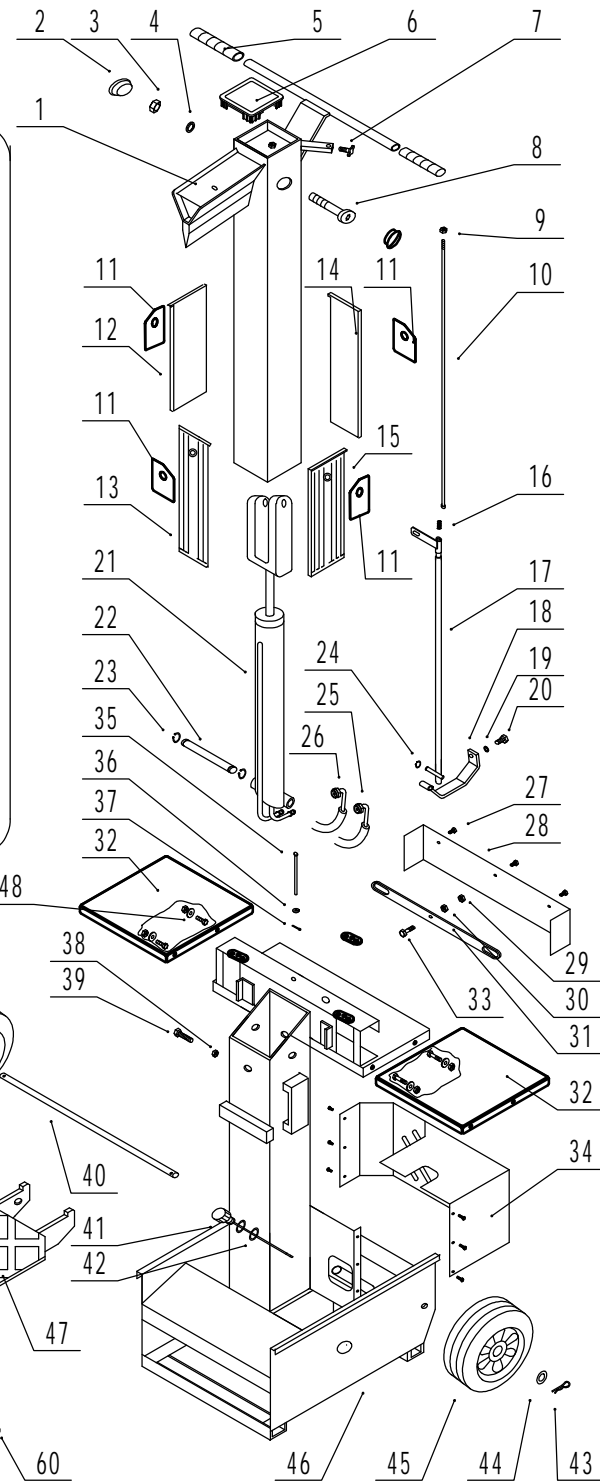
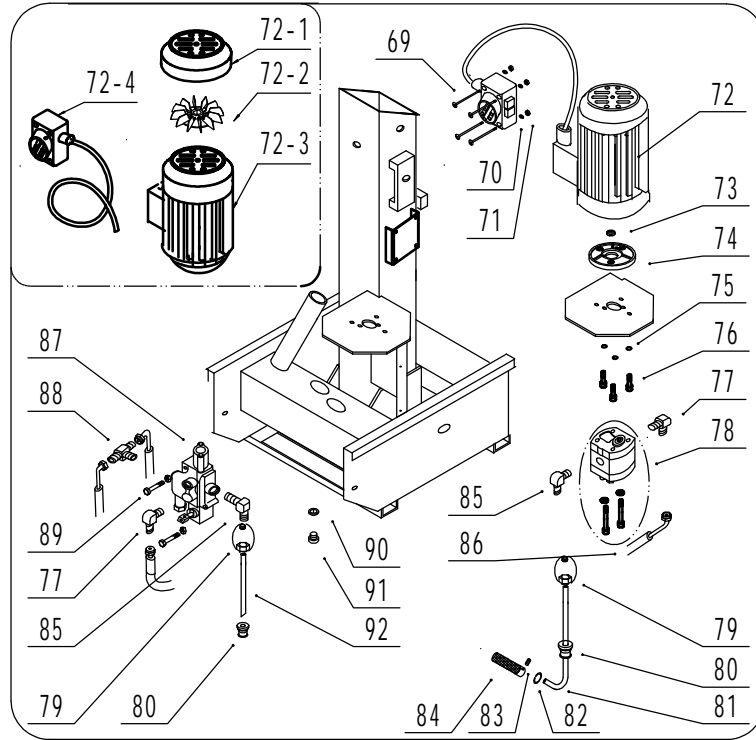


Model: Power Split 600V

Part Number: 90052211

Year: 2019



| POS | QTY | PARTNUMBER | BESKRIVELSE | DESCRIPTION |
|-----|-----|------------|-----------------------|-------------------------|
| 1 | 1 | 441057 | KLØVEHOVED | KNIFE COLUMN |
| 2 | 2 | 437919 | PROP | ROUND PLUG |
| 3 | 1 | 437920 | MØTRIK TYND | NUT, THIN |
| 4 | 1 | 437921 | SKIVE | SPRING WASHER |
| 5 | 4 | 437923 | GREBHÅNDTAG | HANDLE GRIP |
| 6 | 1 | 441058 | GUMMMIHÅNDTAG | PLUG |
| 7 | 1 | 437922 | SKRUE | FIXING SCREW |
| 8 | 1 | 437252 | SKRUE | SCREW |
| 9 | 1 | 437925 | LÅSE MØTRIK | LOCKING NUT |
| 10 | 1 | 441059 | AKSEL | VALVE STICK |
| 11 | 4 | 441060 | GLIDEPLADE | ADJUSTING WASHER |
| 12 | 1 | 437254 | GLIDEPLADE VENSTRE | SLIDING PAD, LEFT SIDE |
| 13 | 1 | 437256 | GLIDEPLADE BAG | SLIDING PAD, BACK SIDE |
| 14 | 1 | 437255 | GLIDEPLADE FRONT | SLIDING PAD, FRONT SIDE |
| 15 | 1 | 437257 | GLIDEPLADE HØJRE SIDE | SLIDING PAD, RIGHT SIDE |
| 16 | 1 | 437926 | FJEDER | SPRING |
| 17 | 1 | 441061 | SKINNE | BUSHING FOR VALVE STICK |
| 18 | 1 | 441062 | ARM | VALVE CONTROL BOARD |
| 19 | 1 | 441063 | FJEDERSKIVE | SPRING WASHER 10 |
| 20 | 1 | 441064 | BOLT M10X20 | BOLT M10X20 |
| 21 | 1 | 441065 | CYLINDER | CYLINDER |
| 22 | 1 | 437259 | STIFT TIL CYLINDER | PIN FOR CYLINDER |
| 23 | 2 | 422222 | LÅSERING | LOCKING RING |
| 24 | 1 | 441066 | SKIVE | SPINDLE CIRCLIP 9 |
| 25 | 1 | 441067 | SLANGE | RUBBER HOSE C3CB |
| 26 | 1 | 441068 | SLANGE | RUBBER HOSE C2CB |
| 27 | 9 | 437945 | SKRUE 5X8 | SCREW 5X8 |
| 28 | 1 | 441069 | SKÆRM | SMALL GUARD |
| 29 | 1 | 437941 | LÅSEMØTRIK M6 | LOCKING NUT M6 |
| 30 | 1 | 422220 | MØTRIK M6 | NUT M6 |
| 31 | 1 | 441070 | VIPPEARM | TRANSMISION BOARD |
| 32 | 2 | 441071 | AFLÆGNINGSPLADE | LOG STORAGE PLATE |
| 33 | 1 | 437942 | BOLT | BOLT |
| 34 | 1 | 441072 | SKÆRM | GUARD FOR PUMP&VALVE |
| 35 | 1 | 437937 | STIFT B-TYPE | B-TYPE PIN |
| 36 | 1 | 422218 | SKIVE M6 | WASHER M6 |
| 37 | 3 | 437939 | STIFT | SPLIT PIN |
| 38 | 1 | 422243 | LÅSEMØTRIK M10 | LOCKING NUT M12 |
| 39 | 1 | 441073 | BOLT M10X35 | BOLT M10X35 |
| 40 | 1 | 441074 | HJULAKSEL | AXLE |
| 41 | 1 | 441075 | OLIEPIND | OIL LEVEL STICK |
| 42 | 2 | 437973 | O-RING 15X2,65 | O-RING |
| 43 | 2 | 422212 | CLIPS | CLIPS |
| 44 | 2 | 437947 | FLAD SKIVE | FLAT WASHER |
| 45 | 2 | 441076 | HJUL | WHEEL |
| 46 | 1 | 441077 | STEL | MAIN FRAME |
| 47 | 1 | 441078 | PLADE | WORK TABLE |
| 48 | 8 | 437956 | SKIVE | FLAT WASHER |
| 49 | 2 | 437954 | BOLT | BOLT 10X45 |
| 50 | 2 | 437955 | MØTRIK | NUT |

| POS | QTY | PARTNUMBER | BESKRIVELSE | DESCRIPTION |
|------|-----|------------|---------------------|----------------------------|
| 51 | 2 | 441079 | ARM | LOG CLAW |
| 52 | 2 | 437958 | STIFT B-TYPE | B-TYPE PIN |
| 53 | 2 | 441080 | SKIVE | FLAT WASHER |
| 54 | 4 | 437961 | PAKNING | WASHER |
| 55 | 4 | 437962 | FLAD SKIVE | FLAT WASHER |
| 56 | 2 | 437963 | LÅSEMØTRIK | LOCKING NUT |
| 57 | 2 | 441081 | HÅNDTAG | CONTROL HANDLE |
| 58 | 1 | 441082 | HÅNDTAGBESKYTTER | HAND PROTECTOR,UPPER RIGHT |
| 59 | 2 | 441083 | BOLT M8X20 | BOLT 8X20 |
| 60 | 8 | 437965 | BOLT 8X16 | BOLT 8X16 |
| 61 | 2 | 441084 | BØJLE | HAND PROTECTOR,LEFT&RIGHT |
| 62 | 11 | 437959 | MØTRIK | NUT |
| 63 | 2 | B68 | BOLT 8X30 | BOLT 8X30 |
| 64 | 1 | 441085 | ARM VENSTRE | HANDLE GUARD, RIGHT |
| 65 | 2 | 437967 | BOLT 8X16 | BOLT 8X16 |
| 66 | 1 | 441086 | ARM VENSTRE | HANDLE GUARD, LEFT |
| 67 | 1 | 437969 | BØS | RUBBER BELT |
| 68 | 1 | 441087 | HÅNDTAG BESKYTTER | HAND PROTECTOR,UPPER LEFT |
| 69 | 4 | 437975 | SKRUE | SCREW 4 X 60 |
| 70 | 4 | 437976 | SKIVE | WASHER |
| 71 | 4 | 437977 | MØTRIK | NUT |
| 72 | 1 | 441088 | MOTOR INKL. KONTAKT | ELECTRIC MOTOR |
| 72-1 | 1 | 437267 | LÅG | MOTOR FAN COVER |
| 72-2 | 1 | 437269 | VENTILATOR | FLYING FAN |
| 72-3 | 1 | 441089 | MOTOR UDEN KONTAKT | MOTOR W/OUT SWITCH |
| 72-4 | 1 | 441090 | KONTAKT | SWITCH, 230V |
| 73 | 1 | 437979 | FORBINDER | CONNECTOR |
| 74 | 1 | 437980 | MOTOR BASE | MOTOR BASE |
| 75 | 12 | 437981 | FJEDERSKIVE | SPRING WASHER |
| 76 | 3 | 437982 | SKRUE | SCREW 8X30 |
| 77 | 2 | 437983 | LED | ELBOW CONNECTOR |
| 78 | 1 | 441091 | PUMPE | PUMP |
| 79 | 2 | 441092 | BOLT | NUT |
| 80 | 2 | 441093 | GUMMIPAKNING | WIRE COVER |
| 81 | 1 | 441094 | RØR | OIL PIPE |
| 82 | 1 | 437994 | O-RING | O-RING14X2.65 |
| 83 | 1 | 437992 | SKRUE | SCREW 6X6 |
| 84 | 1 | 437993 | FILTER CPL | FILTER CPL. |
| 85 | 2 | 441095 | VINKEL | ELBOW CONNECTOR |
| 86 | 1 | 441096 | RETURRØR | RUBBER PIPE C1CB |
| 87 | 1 | 441097 | VENTILSTYR | VAVLE |
| 88 | 1 | 441098 | VINKEL | T-TYPE CONNECTOR |
| 89 | 2 | 437997 | SKRUE 8X40 | SCREW 8X40 |
| 90 | 1 | 441099 | O-RING | O-RING |
| 91 | 1 | 437974 | SKRUEMØTRIK | SCREW NUT |
| 92 | 1 | 441100 | OLIESLANGE | OIL PIPE IT |