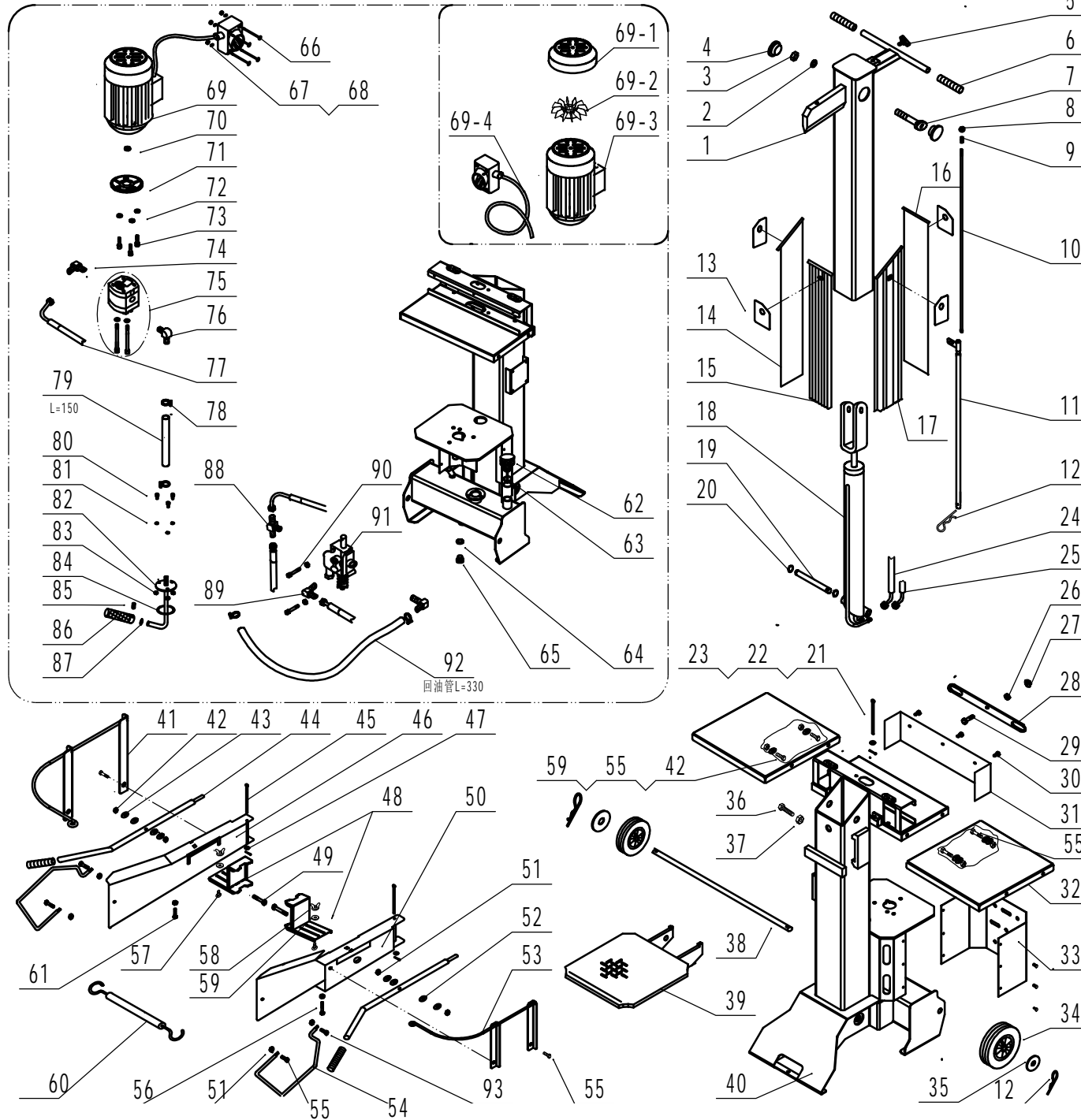


Model: Power Split 720V

Part Number: 90052210

Year: 2019



POS	QTY	PARTNUMBER	BESKRIVELSE	DESCRIPTION
1	1	441104	KLØVEHOVED TÅRN	KNIFE COLUMN
2	1	437921	SKIVE	SPRING WASHER
3	1	437920	MØTRIK TYND	NUT, THIN
4	2	437919	PROP	ROUND PLUG
5	1	437922	SKRUE	FIXING SCREW
6	2	437923	GREBHÅNDTAG	HANDLE GRIP
7	1	437252	SKRUE	SCREW
8	1	437925	LÅSE MØTRIK	LOCKING NUT
9	1	437926	FJEDER	SPRING
10	1	441105	STANG	VALVE STICK
11	1	441106	SKINNE	BUSHING FOR VALVE STICK
12	3	422212	CLIPS	CLIPS
13	4	441060	GLIDEPLADE	ADJUSTING WASHER
14	1	437254	GLIDEPLADE VENSTRE	SLIDING PAD, LEFT SIDE
15	1	437256	GLIDEPLADE BAG	SLIDING PAD, BACK SIDE
16	1	437255	GLIDEPLADE FRONT	SLIDING PAD, FRONT SIDE
17	1	437257	GLIDEPLADE HØJRE SIDE	SLIDING PAD, RIGHT SIDE
18	1	441107	CYLINDER	CYLINDER
19	1	437259	STIFT TIL CYLINDER	PIN FOR CYLINDER
20	2	422222	LÅSERING	LOCKING RING
21	1	437937	STIFT B-TYPE	B-TYPE PIN
22	1	422218	SKIVE M6	WASHER M6
23	3	437939	STIFT	SPLIT PIN
24	1	437929	BØS	RUBBER HOSE, C2C,270
25	1	437930	BØS	RUBBER HOSE, C2C,200
26	1	422220	MØTRIK M6	NUT M6
27	1	437941	LÅSEMØTRIK M6	LOCKING NUT M6
28	1	437940	PLADE	TRANSMISION BOARD
29	1	437942	BOLT	BOLT
30	9	437945	SKRUE 5X8	SCREW 5X8
31	1	441108	LILLE SKÆRM	SMALL GUARD
32	2	441071	AFLÆGNINGSPLADE	LOG STORAGE PLATE
33	1	441109	SKÆRM TIL PUMPE	PUMP AND VALVE COVER
34	2	441110	HJUL	WHEEL
35	2	437947	FLAD SKIVE	FLAT WASHER
36	1	441073	BOLT M10X35	BOLT M10X35
37	1	422243	LÅSEMØTRIK M10	LOCKING NUT M12
38	1	441111	AKSEL	AXLE
39	1	441112	PLADE	WORK TABLE
40	1	441113	SOKKEL	MAIN FRAME
41	1	441114	BESKYTTELSES BØJLE VENSTRE	HAND PROTECTOR,UPPER LEFT
42	4	437963	LÅSEMØTRIK	LOCKING NUT
43	4	437962	FLAD SKIVE	FLAT WASHER
44	2	441115	HÅNDTAG	CONTROL HANDLE
45	2	437958	STIFT B-TYPE	B-TYPE PIN
46	1	441116	ARMBESKYTTER VENSTRE	HANDLE GUARD, LEFT
47	2	441080	SKIVE	FLAT WASHER
48	2	441117	HOLDER	LOG CLAW
49	2	437954	BOLT	BOLT 10X45
50	1	441118	ARMBESKYTTER HØJRE	HANDLE GUARD, RIGHT

POS	QTY	PARTNUMBER	BESKRIVELSE	DESCRIPTION
51	8	437959	MØTRIK	NUT
52	4	437961	PAKNING	WASHER
53	1	441119	BESKYTTELSSESBØJLE HØJRE	HAND PROTECTOR,UPPER RIGHT
54	2	441084	BØJLE	HAND PROTECTOR,LEFT&RIGHT
55	8	437965	BOLT 8X16	BOLT 8X16
56	1	422225	BOLT M8X40	BOLT M8X40
57	2	437967	BOLT 8X16	BOLT 8X16
58	2	437955	MØTRIK	NUT
59	16	437956	SKIVE	FLAT WASHER
60	1	437969	BØS	RUBBER BELT
61	1	B68	BOLT 8X30	BOLT 8X30
62	1	437972	OLIEPIND	OIL LEVEL STICK
63	2	437973	O-RING 15X2,65	O-RING
64	1	441099	O-RING	O-RING
65	1	437974	SKRUEMØTRIK	SCREW NUT
66	4	437975	SKRUE	SCREW 4 X 60
67	4	437976	SKIVE	WASHER
68	4	437977	MØTRIK	NUT
69	1	441120	MOTOR INKL. KONTAKT	ELECTRIC MOTOR
70	1	437979	FORBINDER	CONNECTOR
71	1	437980	MOTOR BASE	MOTOR BASE
72	7	437981	FJEDERSKIVE	SPRING WASHER
73	3	437982	SKRUE	SCREW 8X30
74	1	437983	LED	ELBOW CONNECTOR
75	1	437984	PUMPE	PUMP
76	2	437985	LED	ELBOW CONNECTOR FOR PUMP
77	1	437987	BØS C3D 360	RUBBER HOSE, C3D,360
78	4	437986	RØRBØJLE	PIPE HOOP
79	1	437988	HYDRALIKSLANGE	RUBBER HOSE
80	3	437989	SKRUE	SCREW 6X20
81	3	426909	FJEDERSKIVE M6	SPRING COLLAR M6
82	1	437990	OLIERØR	OIL PIPE
83	3	426911	LÅSEMØTRIK M6	LOCKING NUT M6
84	1	437991	O-RING	O-RING 27X2.65
85	1	437992	SKRUE	SCREW 6X6
86	1	437993	FILTER CPL	FILTER CPL.
87	1	437994	O-RING	O-RING14X2.65
88	1	437995	FORBINDELSSELED	T-TYPE CONNECTOR
89	1	437996	FORBINDELSSELED	ELBOW CONNECTOR
90	2	437266	SKRUE	SCREW 8X35
91	1	437998	VENTIL	VALVE
92	1	437988	HYDRALIKSLANGE	RUBBER HOSE
93	2	441083	BOLT M8X20	BOLT 8X20
69-1	1	437267	LÅG	MOTOR FAN COVER
69-2	1	437269	VENTILATOR	FLYING FAN
69-3	1	441121	MOTOR UDEN KONTAKT	MOTOR W/OUT SWITCH
69-4	1	441090	KONTAKT	SWITCH, 230V