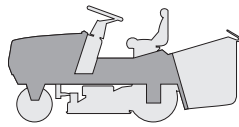


TC102 TC102 hy. TC122 hy.

TCP102 TCP102 hy. TCP122 hy.

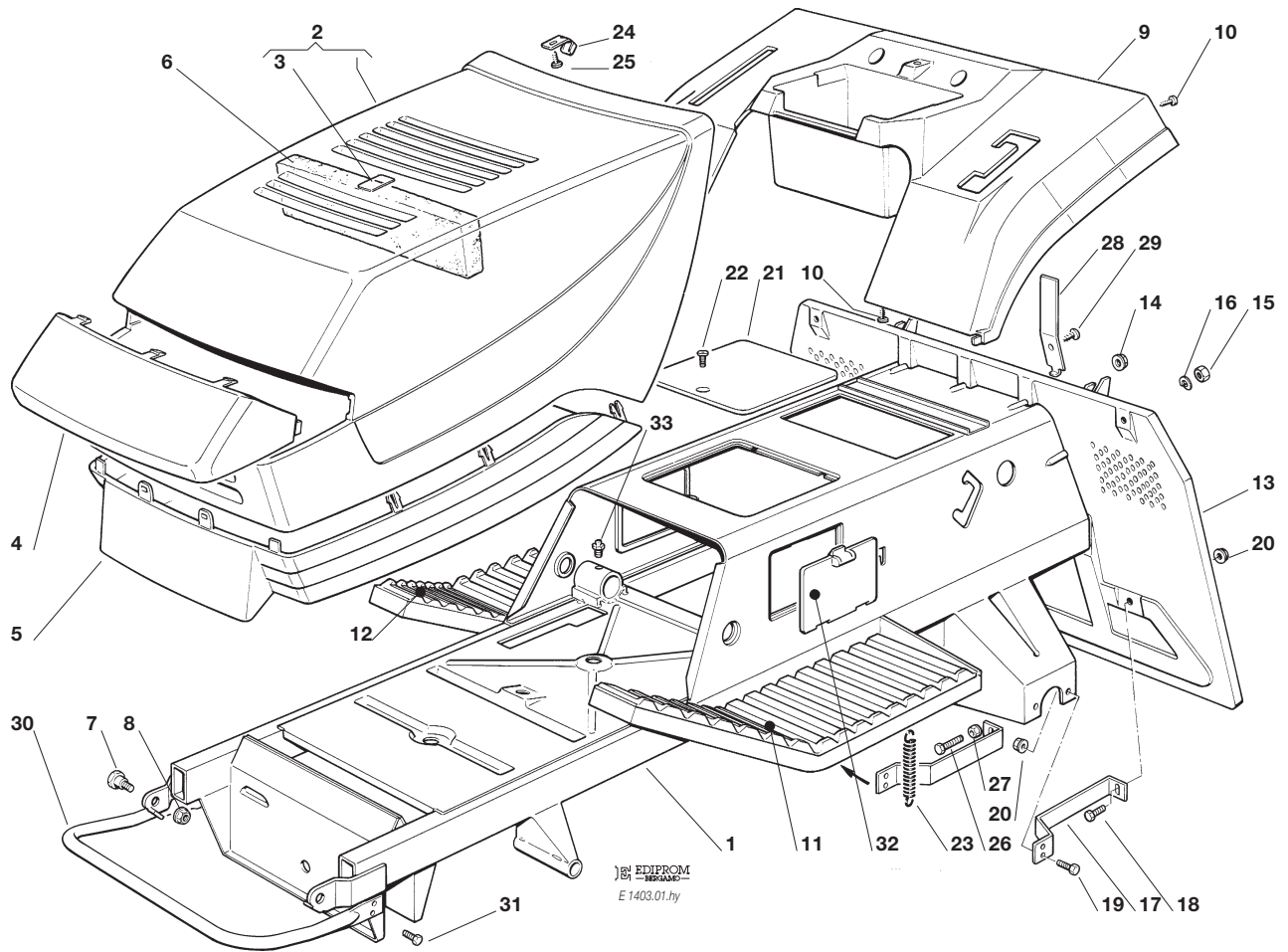


**CARROZZERIA E CHASSIS
BODY AND CHASSIS
CARROSSERIE ET CHASSIS
KARROSSERIE UND GEHÄUSE**

1999

001.0

1 / 2



EDIPROM
E 1403.01.hy

N.	CODE	Q.TY	DESCRIZIONE	DESCRIPTION	DESCRIPTION	BESCHREIBUNG
----	------	------	-------------	-------------	-------------	--------------

1	82800004/7	1	TELAIO	CHASSIS	CHASSIS	RAHMENSATZ
	82800023/0	1	TELAIO (<i>hydro</i>)	CHASSIS (<i>hydro</i>)	CHASSIS (<i>hydro</i>)	RAHMENSATZ (<i>hydro</i>)
2	☛	1	COFANO SUPER. (TC)	UPPER ENGINE HOOD (TC)	CAPOT SUPERIEURE (TC)	OVERHAUBESATZ (TC)
	82076801/1		ROSSO	RED	ROUGE	ROT
	82076804/0		VERDE	GREEN	VERT	GRÜN
	82076805/0		GIALLO	YELLOW	JAUNE	GELB
	82076807/0		BLU	BLUE	BLEU	BLAU
	☛	1	COFANO SUPER. (TCP)	UPPER ENGINE HOOD (TCP)	CAPOT SUPERIEURE (TCP)	OVERHAUBESATZ (TCP)
	82076840/0		ROSSO	RED	ROUGE	ROT
	82076842/0		VERDE	GREEN	VERT	GRÜN
	82076844/0		GIALLO	YELLOW	JAUNE	GELB
	82076846/0		BLU	BLUE	BLEU	BLAU
3	☛	1	PIASTRINA (TC)	PLATE (TC)	PLAQUE (TC)	PLATTE (TC)
	25547016/1		ROSSA	RED	ROUGE	ROT
	25547015/0		VERDE	GREEN	VERT	GRÜN
	25547014/0		GIALLA	YELLOW	JAUNE	GELB
	25547024/0		BLU	BLUE	BLEU	BLAU
	☛	1	PIASTRINA (TCP)	PLATE (TCP)	PLAQUE (TCP)	PLATTE (TCP)
	25547025/0		ROSSA	RED	ROUGE	ROT
	25547026/0		VERDE	GREEN	VERT	GRÜN
	25547027/0		GIALLA	YELLOW	JAUNE	GELB
	25547028/0		BLU	BLUE	BLEU	BLAU
4	25410858/0	1	MASCHERINA (TC)	GRILL (TC)	PANNEAU (TC)	SCHUTZ (TC)
	25410860/0	1	MASCHERINA DX (TCP)	RIGHT GRILL (TCP)	PANNEAU DROITE (TCP)	RECHTE SCHUTZ (TCP)
	25410861/0	1	MASCHERINA SX (TCP)	LEFT GRILL (TCP)	PANNEAU GAUCHE (TCP)	LINKE SCHUTZ (TCP)
5	25076802/0	1	COFANO INFERIORE (TC)	LOWER ENGINE HOOD (TC)	CAPOT INFERIEURE (TC)	UNTERHAUBESATZ (TC)
	25076808/0	1	COFANO INFERIORE (TCP)	LOWER ENGINE HOOD (TCP)	CAPOT INFERIEURE (TCP)	1 UNTERHAUBESATZ (TCP)
6	☛	1	SEPARATORE ASPIRAZ.	INTAKE SEPARATOR	SEPARATEUR ASPIRATIONS	AUGENABSCHIEDER
	25730000/0		TC - 13 HP TECUMSEH	TC - 13 HP TECUMSEH	TC - 13 HP TECUMSEH	TC - 13 HP TECUMSEH
			15,5 - 16 HP B&S	15,5 - 16 HP B&S	15,5 - 16 HP B&S	15,5 - 16 HP B&S
	25730001/0		15 HP TECUMSEH	15 HP TECUMSEH	15 HP TECUMSEH	15 HP TECUMSEH



N.	CODE	Q.TY	DESCRIZIONE	DESCRIPTION	DESCRIPTION	BESCHREIBUNG
	25730002/0		TCP - 12,5-13-18 HP B&S	TCP - 12,5-13-18 HP B&S	TCP - 12,5-13-18 HP B&S	TCP - 12,5-13-18 HP B&S
	25730003/0		20 HP B&S	20 HP B&S	20 HP B&S	20 HP B&S
7	25510015/1	2	PERNO	PIN	PIVOT	BOLZEN
8	12293201/0	2	DADO	NUT	ECROU	MUTTER
9	←	1	COPERTURA RUOTE (TC)	WHEELS COVER (TC)	COUVRE-ROUES (TC)	RADENKAPPE (TC)
	25110157/1		ROSSA	RED	ROUGE	ROT
	25110159/0		VERDE	GREEN	VERT	GRÜN
	25110161/0		GIALLO	YELLOW	JAUNE	GELB
	25110163/0		BLU	BLUE	BLEU	BLAU
←		1	COPERTURA RUOTE (TCP)	WHEELS COVER (TCP)	COUVRE-ROUES (TCP)	RADENKAPPE (TCP)
	25110170/0		ROSSA	RED	ROUGE	ROT
	25110171/0		VERDE	GREEN	VERT	GRÜN
	25110172/0		GIALLO	YELLOW	JAUNE	GELB
	25110173/0		BLU	BLUE	BLEU	BLAU
10	12735402/0	4	VITE	SCREW	VIS	SCHRAUBE
11	25110260/1	1	COPRIPEDANA SX	LEFT FOOTBOARD COVER GAUCHE	COUVRE MARCHEPIED	LINKE FUSSBRETTDECKEL
12	25110261/1	1	COPRIPEDANA DX	RIGHT FOOTBOARD COVER DROITE	COUVRE MARCHEPIED	RECHTE FUSSBRETTDECKEL
	25110268/0	1	COPRIPEDANA DX (hydro)	RIGHT FOOTBOARD COVER (hydro)	COUVRE MARCHEPIED DROITE (hydro)	RECHTE FUSSBRETTDECKEL (hydro)
13	82547001/3	1	PIASTRA POST.	REAR PLATE	PLAQUE POSTERIEURE	HINTERPLATTE
14	12293201/0	5	DADO	NUT	ECROU	MUTTER
15	12295200/0	2	DADO	NUT	ECROU	MUTTER
16	12585100/0	2	GROWER	GROWER	GROWER	GROWER
17	25650021/0	2	RINFORZO PIASTRA POST.	REAR PLATE STIFFENING POST.	RENFORCEMENT PLAQUE ERKUNG	HINTERPLATTEVERSTA-
18	12793102/0	2	VITE (TC)	SCREW (TC)	VIS (TC)	SCHRAUBE (TC)
18	12793102/0	1	VITE (TCP)	SCREW (TCP)	VIS (TCP)	SCHRAUBE (TCP)
19	12793102/0	2	VITE	SCREW	VIS	SCHRAUBE
20	12293201/0	4	DADO	NUT	ECROU	MUTTER
21	82597120/0	1	PORTINA	HANDHOLE	GRILLE	GITTER
22	12728440/0	1	VITE	SCREW	VIS	MUTTER
23	25430218/0	2	MOLLA	SPRING	RESSORT	FEDER
24	25430217/0	2	MOLLA AGGANCIO (TCP)	COUPLING SPRING (TCP)	RESSORT ACCROCHA (TCP)	GEKUPPLUNGSFEDER (TCP)
25	12728099/0	2	VITE (TCP)	SCREW (TCP)	VIS (TCP)	SCHARUBE (TCP)
26	12691100/0	1	VITE (TCP)	SCREW (TCP)	VIS (TCP)	SCHRAUBE (TCP)
27	12293201/0	1	DADO (TCP)	NUT (TCP)	ECROU (TCP)	MUTTER (TCP)
28	25430228/0	1	MOLLA	SPRING	RESSORT	FEDER
29	12728440/0	1	VITE	SCREW	VIS	SCHRAUBE
30	82869006/0	1	PROTEZIONE SILENZIATORE	MUFFLER PROTECTION	PROTECTION SILENCIEUX	AUSPUFFSCHUTZ
31	12734995/0	4	VITE	SCREW	VIS	SCHRAUBE
32	25597121/0	2	PORTINA (hydro)	HANDHOLE (hydro)	GRILLE (hydro)	GITTER (hydro)
33	12379511/0	1	INGRASSATORE (hydro)	GREASE DISPENSER (hydro)	GRAISSEUR (hydro)	FETTBUCHSE (hydro)

TC102

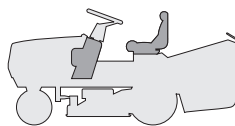
TC102 hy.

TC122 hy.

TCP102

TCP102 hy.

TCP122 hy.

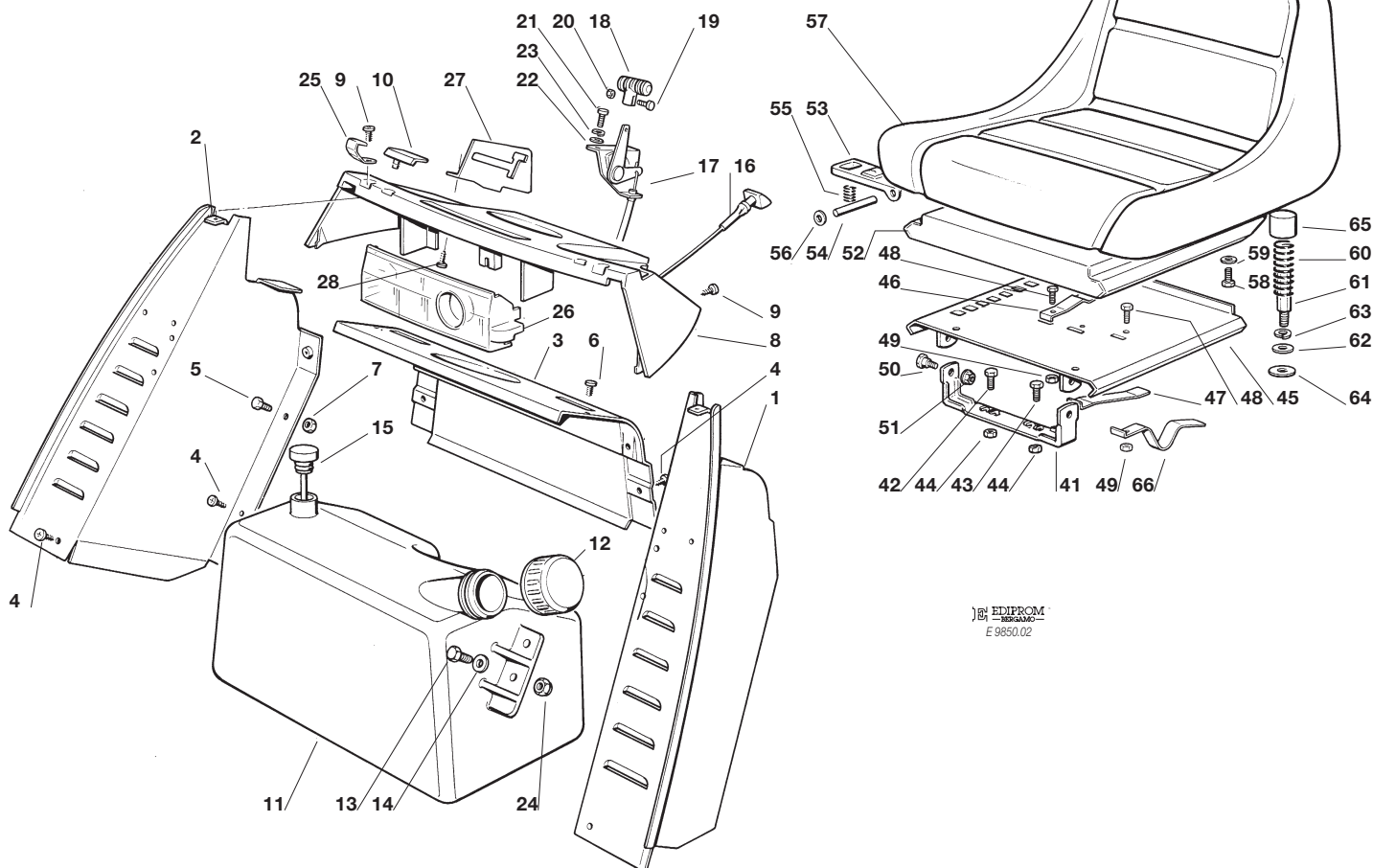


CRUSCOTTO E SEDILE
DASHBOARD AND SEAT
TABLEAU COMMANDES ET SIEGE
KONSOLE UND SITZ

1999

002.0

1 / 2



N.	CODE	Q.TY	DESCRIZIONE	DESCRIPTION	DESCRIPTION	BESCHREIBUNG
1	82785021/3	1	SUPP. CRUSCOTTO SX	LEFT DASHBOARD SUPP.	SUPPORT TABLEAU GAUCHE	LINKER KONSOLEHALTER
2	82785022/2	1	SUPP. CRUSCOTTO DX	RIGHT DASHBOARD SUPP.	SUPPORT TABLEAU DROITE	RECHTER KONSOLEHALTER
3	82785023/0	1	SUPP. CRUSCOTTO CENTR. SUPP.	CENTRAL DASHBOARD CENTRAL HALTER	SUPPORT TABLEAU HALTER	ZENTRALER KONSOLE HALTER
4	12735110/0	6	VITE	SCREW	VIS	SCHRAUBE
5	12790780/0	2	VITE	SCREW	VIS	SCHRAUBE
6	12728440/0	2	VITE	SCREW	VIS	SCHRAUBE
7	12292102/0	2	DADO	NUT	ECROU	MUTTER
8	25120149/0	1	CRUSCOTTO (TC)	DASHBOARD (TC)	TABLEAU DE BORD (TC)	KONSOLE (TC)
	25120150/0	1	CRUSCOTTO (TCP)	DASHBOARD (TCP)	TABLEAU DE BORD (TCP)	KONSOLE (TCP)
	25120155/0	1	CRUSCOTTO (TC hydro)	DASHBOARD (TC hydro)	TABLEAU DE BORD (TC hy.)	KONSOLE (TC hydro)
	25120153/0	1	CRUSCOTTO (TCP hydro)	DASHBOARD (TCP hydro)	TABLEAU DE BORD (TCP hy.)	KONSOLE (TCP hydro)
9	12728440/0	4	VITE	SCREW	VIS	SCHRAUBE
10	25260000/0	2	GOMMINO	GROMMET	PROTECTION	SCHUTZ
11	25735110/2	1	SERBATOIO (12,5 - 15,5 HP B&S 13 - 15 HP TECUMSEH)	TANK (12,5 - 15,5 HP B&S 13 - 15 HP TECUMSEH)	RESERVOIR (12,5 - 15,5 HP B&S 13 - 15 HP TECUMSEH)	TANK (12,5 - 15,5 HP B&S 13 - 15 HP TECUMSEH)
	25735111/2	1	SERBATOIO (16 - 18 - 20 HP B&S)	TANK (16 - 18 - 20 HP B&S)	RESERVOIR (16 - 18 - 20 HP B&S)	TANK (16 - 18 - 20 HP B&S)
12	25795000/0	1	TAPPO	CAP	BOUCHON	TANKVERSCHLUSS
13	12788910/0	2	VITE	SCREW	VIS	SCHRAUBE
14	12523020/0	2	RONDELLA	WASHER	RONDELLE	SCHEIBE
15	25290000/0	1	INDICATORE LIVELLO (16 - 18 - 20 HP B&S)	FUEL LEVEL INDICATOR (16 - 18 - 20 HP B&S)	INDICATEUR NIVEAU (16 - 18 - 20 HP B&S)	KRAFTSTOFFMESSER (16 - 18 - 20 HP B&S)
16	25090000/0	1	COMANDO STARTER (16 - 18 HP B&S)	STARTER DRIVE (16 - 18 HP B&S)	COMMANDE STARTER (16 - 18 HP B&S)	STARTER BETAETIGUNG (16 - 18 HP B&S)
16	25090001/0	1	COMANDO STARTER (20 HP B&S)	STARTER DRIVE (20 HP B&S)	COMMANDE STARTER (20 HP B&S)	STARTER BETAETIGUNG (20 HP B&S)
17	82000200/1	1	ACCELERATORE 12,5 - 13 - 15,5 HP B&S 13 - 15 HP TECUMSEH	ACCELERATOR 12,5 - 13 - 15,5 HP B&S 13 - 15 HP TECUMSEH	ACCELERATEUR 12,5 - 13 - 15,5 HP B&S 13 - 15 HP TECUMSEH	GAS ZUG 1 12,5 - 13 - 15,5 HP B&S 13 - 15 HP TECUMSEH



N.	CODE	Q.TY	DESCRIZIONE	DESCRIPTION	DESCRIPTION	BESCHREIBUNG
	82000201/1	1	ACCELERATORE 16 - 18 - 20 HP B&S	ACCELERATOR 16 - 18 - 20 HP B&S	ACCELERATEUR 16 - 18 - 20 HP B&S	GAS ZUG 16 - 18 - 20 HP B&S
18	25394501/0	1	MANOPOLA	HANDLE	POIGNE	GRIFF
19	12726388/0	1	VITE	SCREW	VIS	SCHRAUBE
20	12290800/0	1	DADO	NUT	ECROU	MUTTER
21	12788512/0	2	VITE	SCREW	VIS	SCHRAUBE
22	12521310/0	2	RONDELLA	WASHER	RONDELLE	SCHEIBE
23	12581200/0	2	GROWER	GROWER	GROWER	GROWER
24	12154330/0	2	DADO	NUT	ECROU	MUTTER
25	25430215/0	2	MOLLA AGGANCIO (TC)	COUPLING SPRING (TC)	RESSORT ACCROCHAGE (TC)	KUPPLUNGSFEDER (TC)
26	25600010/0	1	PROTEZIONE SCHEDA	CARD PROTECTION	PROTECTION DE CARTE	KARTESCHUTZ
27	25774235/0	1	STAFFA GUIDA	PLATE	ETRIER	BRIDE
28	12727810/0	3	VITE	SCREW	VIS	SCHRAUBE
41	82774207/0	1	STAFFA SUPP. SEDILE	SEAT CLAMP SUPPORT	ETRIER SUPPORT SIEGE	BRIDE F. SITZHALTER
42	12793500/0	1	VITE	SCREW	VIS	SCHRAUBE
43	12792611/0	1	VITE	SCREW	VIS	SCHRAUBE
44	12293201/0	2	DADO	NUT	ECROU	MUTTER
45	82785089/0	1	SUPP. SEDILE FISSO	FIXED SEAT SUPP.	SUPPORT SIEGE FIXE	FEST SITZHALTER
46	25430203/0	1	MOLLA ARRESTO	SPRING	RESSORT D'ARRET	RASTFEDER
47	25430224/0	1	MOLLA COMANDO	SPRING	RESSORT DE COMMANDE	FEDER
48	12789000/0	3	VITE	SCREW	VIS	SCHRAUBE
49	12154330/0	3	DADO	NUT	ECROU	MUTTER
50	22524970/1	2	PERNO	PIN	PIVOT	BOLZEN
51	12293201/0	2	DADO	NUT	ECROU	MUTTER
52	82785087/0	1	SUPPORTO SEDILE	SEAT SUPPORT	SUPPORT SIEGE	SITZHALTER
53	25318109/0	1	LEVA ARRESTO	STOP LEVER	LEVIER D'ARRET	ABSTELLHEBEL
54	25510000/0	1	PERNO	PIN	PIVOT	BOLZEN
55	25430202/0	1	MOLLA	SPRING	RESSORT	FEDER
56	12604897/0	2	RONDELLA	WASHER	RONDELLE	SCHEIBE
57	25722450/0	1	SEDILE (TC)	SEAT (TC)	SIEGE (TC)	SITZ (TC)
	25722451/1	1	SEDILE (TCP)	SEAT (TCP)	SIEGE (TCP)	SITZ (TCP)
58	12793101/0	4	VITE	SCREW	VIS	SCHRAUBE
59	12583500/0	4	GROWER	GROWER	GROWER	GROWER
60	25430205/0	2	MOLLA	SPRING	RESSORT	FEDER
61	25510016/0	2	PERNO	PIN	PIVOT	BOLZEN
62	12521350/0	2	RONDELLA	WASHER	RONDELLE	SCHEIBE
63	12583500/0	2	GROWER	GROWER	GROWER	GROWER
64	12523070/0	2	RONDELLA	WASHER	RONDELLE	SCHEIBE
65	25122000/0	2	CUFFIA PROTEZ.	HOOD	PROTECTEUR	SCHUTZKASTEN
66	25430223/0	1	MOLLA	SPRING	RESSORT	FEDER

TC102

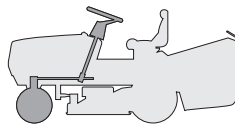
TC102 hy.

TC122 hy.

TCP102

TCP102 hy.

TCP122 hy.

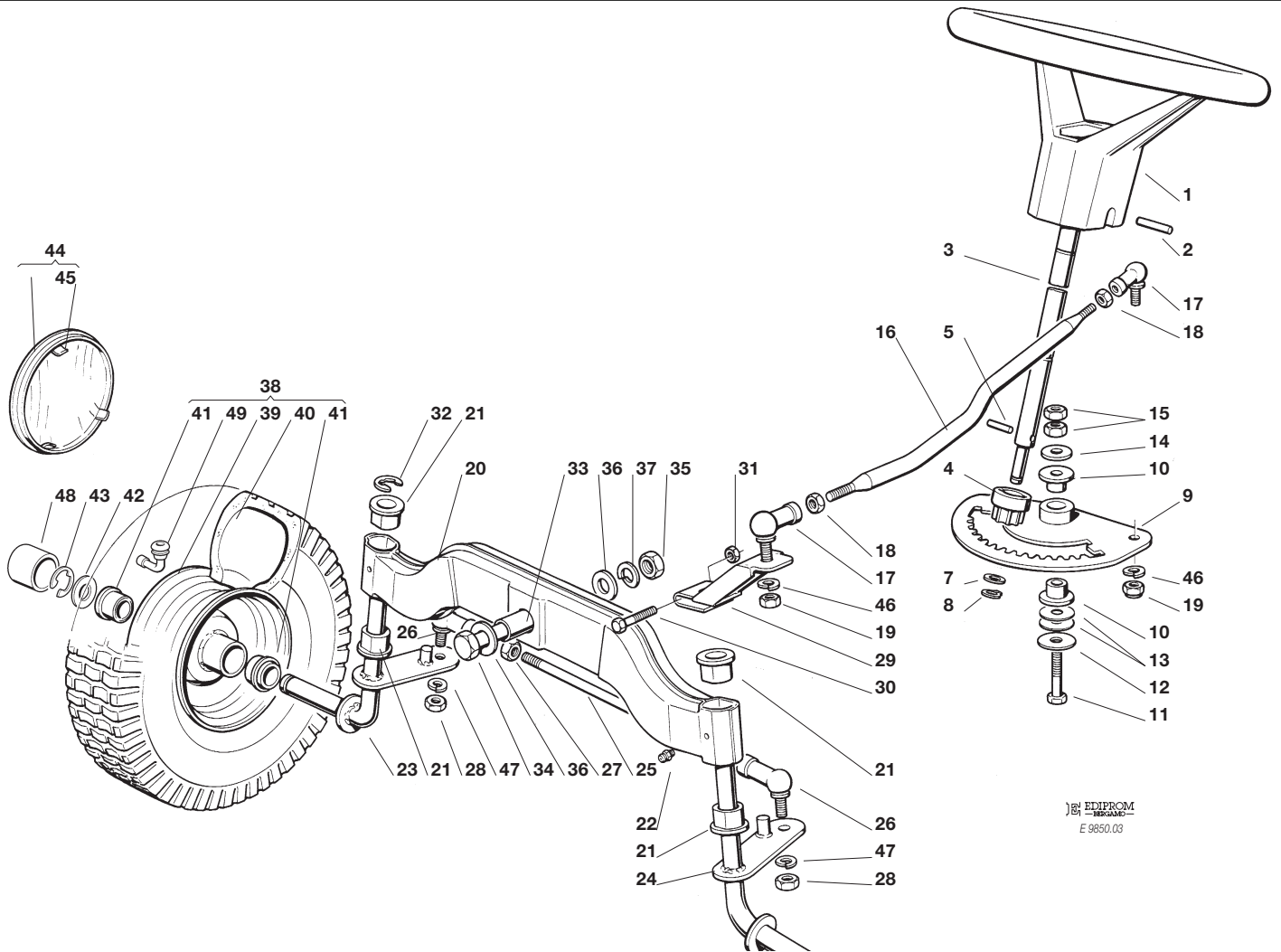


STERZO
STEERING
BARRE DE DIRECTION
LENKGETRIEBE

1999

003.0

1 / 2



EDIPROM
-BERGAMO-
E 9850.03

N.	CODE	Q.TY	DESCRIZIONE	DESCRIPTION	DESCRIPTION	BESCHREIBUNG
1	25961200/0	1	VOLANTE	STEERING WHEEL	VOLANT	LENKRAD
2	12620299/0	1	SPINA	PIN	GOUPILLE	STIFT
3	25520002/0	1	PIANTONE	STEERING COLUMN	TUBE DE DIRECTION	LENKUNGSAEULE
4	25570000/0	1	PIGNONE	PINION	PIGNON	RITZEL
5	12622650/0	1	SPINA	PIN	GOUPILLE	STIFT
7	12521370/0	1	RONDELLA	WASHER	RONDELLE	SCHEIBE
8	12436030/0	1	PIASTRINA	PLATE	PLAQUETTE	PLATTECHEN
9	82735504/0	1	SETTORE STERZO	STEERING SHAFT	ARBRE DIRECTION	LENKUNGSWELLE
10	25160001/1	2	BRONZINA	BRASS	COUSSINET	BÜCHSE
11	12692420/0	1	VITE	SCREW	VIS	SCHRAUBE
12	12523090/0	1	RONDELLA	WASHER	RONDELLE	SCHEIBE
13	22672150/0	2	RONDELLA	WASHER	RONDELLE	SCHEIBE
14	25670002/0	1	RONDELLA	WASHER	RONDELLE	SCHEIBE
15	12295200/0	2	DADO	NUT	ECROU	MUTTER
16	25033003/1	1	ASTA COMANDO STERZO	STEERING ROD	LEVIER BARRE DE DIRECTION	LENKUNGSSTAB
17	22746600/0	2	SNODO M10	JOINT M10	JOINT M10	GELENK M10
18	12295200/0	2	DADO	NUT	ECROU	MUTTER
19	12295200/0	2	DADO	NUT	ECROU	MUTTER
20	82034001/1	1	BILANCIERE COMPLETO DI BRONZINA ED INGRASSATORE	EQUALIZER WITH BUSH AND LUBRICATOR	BALANCIER AVEC COUSSINET ET GRAISSEUR	KIPPHEBEL MIT BRONZE- LAGER UND FETTBÜCHSE
21	25034002/1	4	BRONZINA	BRASS	COUSSINET	BÜCHSE
22	12379511/0	2	INGRASSATORE	GREASE DISPENSER	GRAISSEUR	FETTBÜCHSE
23	82230349/0	1	FUSELLO DX	R. STUB AXLE	FUSEAU DROITE	RECHTER ACHSSCHENKEL
24	82230348/0	1	FUSELLO SX	L. STUB AXLE	FUSEAU GAUCHE	LINKER ACHSSCHENKEL
25	25840001/0	1	TIRANTE	TIE ROD	TIRANT	KUPPLUNG
26	22746600/0	2	SNODO M10	JOINT M10	JOINT M10	GELENK M10
27	12295200/0	2	DADO	NUT	ECROU	MUTTER
28	12295200/0	2	DADO	NUT	ECROU	MUTTER
29	82318101/0	1	ASS. LEVA COMANDO	LEVER ASS.Y	ENSEMBLE LEVIER	HEBEL



N.	CODE	Q.TY	DESCRIZIONE	DESCRIPTION	DESCRIPTION	BESCHREIBUNG
30	12691700/0	1	VITE	SCREW	VIS	SCHRAUBE
31	12155000/0	1	DADO	NUT	ECROU	MUTTER
32	12001000/0	1	ANELLO ELASTICO	SNAP RING	ANNEAU RESSORT	SPRENGRING
33	25160005/0	1	DISTANZIALE	SPACER	ENTRETOISE	ENTFERNUNGSSTUECK
34	12694100/0	1	VITE	SCREW	VIS	SCHRAUBE
35	12295800/0	1	DADO	NUT	ECROU	MUTTER
36	12521390/0	2	RONDELLA	WASHER	RONDELLE	SCHEIBE
37	12587900/0	1	GROWER	GROWER	GROWER	GROWER
38	82680002/1	2	RUOTA COMPLETA CON CUSCINETTI (TURF-SAVER)	WHEEL ASS.Y WITH BEARINGS (TURF-SAVER)	ENSEMBLE ROUE AVEC ROULEM. (TURF-SAVER)	VORDERRAD MIT KUGEL LAGER (TURF-SAVER)
39	82000590/0	2	CERCHIO RUOTA ANT.	FRONT RIMM	BANDAGE ROUE ANT.	VORDERRAD FELGER
40	25590000/0	2	PNEUMATICO (TURF-SAVER)	SHOE (TURF-SAVER)	PNEU (TURF-SAVER)	REIFEN (TURF-SAVER)
41	25122200/1	4	CUSCINETTO	BEARING	ROULEMENT	LAGER
42	25670005/1	2	RONDELLA SPESSORE 2,5 MM	WASHER THICKNEE 2.5 MM	RONDELLE EPAISSEUR 2,5 MM	SCHEIBE DICKE 2,5 MM
43	12001000/0	2	ANELLO ELASTICO	SNAP RING	ANNEAU RESSORT	SPRENGRING
44	82110250/1	2	ASS. COPRIDISCO RUOTA ANTERIORE (TC)	FRONT WHEEL COVERENS. ASS.Y (TC)	COUVRE DISQUE ROUE ANTERIEURE (TC)	VORDERRAD DECKEL (TC)
	82110252/0	2	ASS. COPRIDISCO RUOTA ANTERIORE (TCP)	FRONT WHEEL COVERENS. ASS.Y (TCP)	COUVRE DISQUE ROUE ANTERIEURE (TCP)	VORDERRAD DECKEL (TCP)
45	25430209/0	8	MOLLA AGGANCI	SPRING	RESSORT	FEDER
46	12585100/0	2	GROWER	GROWER	GROWER	GROWER
47	12585100/0	2	GROWER	GROWER	GROWER	GROWER
48	22110230/0	2	COPRIMOZZO	HUB COVER	COUVRE MOYEU	RADNABE DECKEL
49	25950002/0	2	VALVOLA	VALVE	SOUPAPE	VENTIL

TC102

TC102 hy. TC122 hy.

TCP102

TCP102 hy. TCP122 hy.

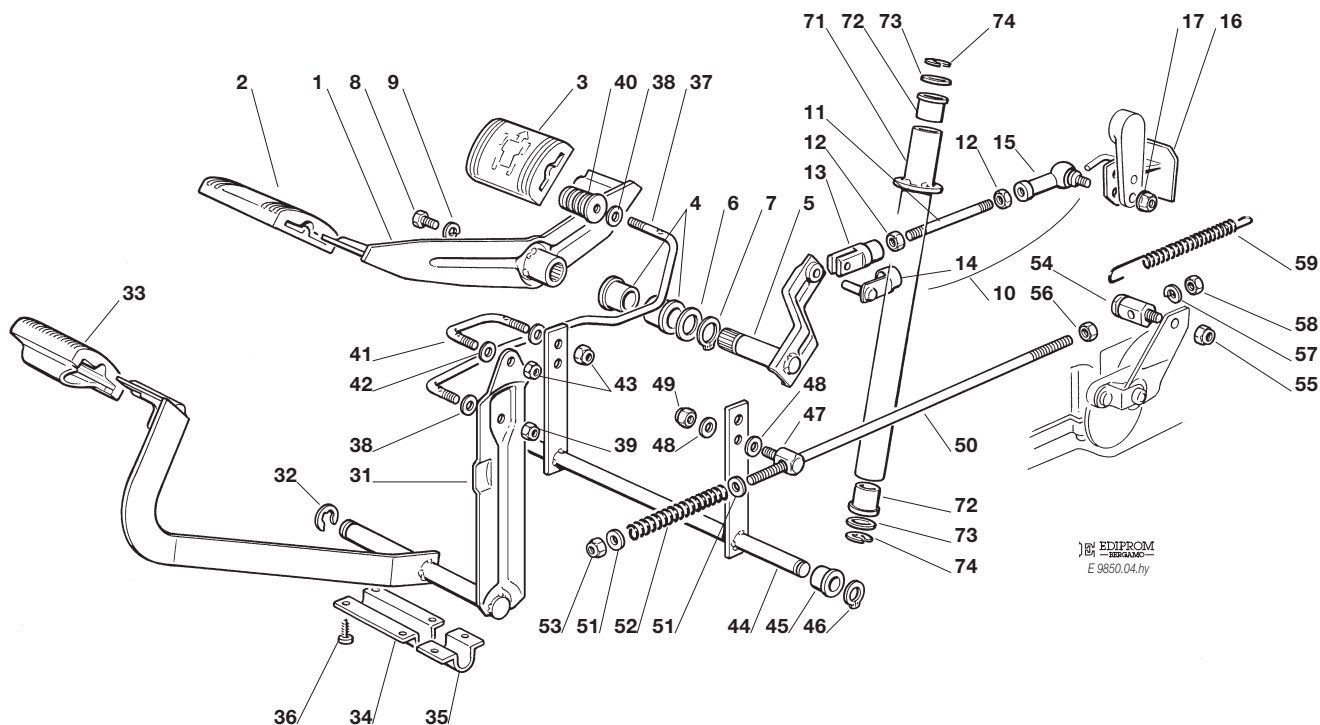


COMANDO TRASMISSIONE E FRENO
DRIVE AND BRAKE CONTROLS
COMMANDE TRANSMISSION ET FREIN
GETRIEBE UND BREMSE ANTRIEB

1999

004Y.0

1 / 2



N.	CODE	Q.TY	DESCRIZIONE	DESCRIPTION	DESCRIPTION	BESCHREIBUNG
1	82500004/0	1	PEDALE AVANZAMENTO	DRIVE PEDAL	PEDALE TRANSMISSION	GETRIEBEPEDAL
2	25110265/0	1	COPRISTAFFA ANTERIORE	CLAMP COVER FRONT	COUVRE ETRIER AVANT	BRIDEDECKEL VORDE
3	25110266/0	1	COPRISTAFFA POSTERIORE	CLAMP COVER REAR	COUVRE ETRIER ARRIERE	BRIDEDECKEL HINTER
4	25034002/0	2	BRONZINA	BUSH	DOUILLE	BÜCHSE
5	82318145/0	1	LEVA	LEVER	LEVIER	HEBEL
6	22672153/0	1	RONDELLA	WASHER	RONDELLE	SCHEIBE
7	12609260/0	1	SEEGER	SEEGER	SEEGER	SEEGER
8	12792612/0	1	VITE	SCREW	VIS	SCHRAUBE
9	12583501/0	1	GROWER	GROWER	GROWER	GROWER
10	82820002/0	1	ASSIEME TIRANTE (11÷15)	ROD ASS.Y (11÷15)	ENS. BARRE (11÷15)	STANGE KOMPLETT (11÷15)
11	25598002/0	1	TIRANTE	ROD	BARRE	STANGE
12	12293200/0	2	DADO	NUT	ECROU	MUTTER
13	18399001/0	1	FORCELLA	FORK	FOURCHE	GABEL
14	18210201/0	1	CLIP	CLIP	CLIP	SPERRBOLZEN
15	22746602/0	1	SNODO	JOINT	JOINT	GELENK
16	82774217/1	1	STAFFA	BRACKET	ETRIER	BRIDE
17	12293201/0	1	DADO	NUT	ECROU	MUTTER
31	82500006/0	1	PEDALE FRENO	BRAKE PEDAL	PEDALE DE FREIN	BREMSPEDAL
32	12001000/0	1	ANELLO ELASTICO	SNAP RING	ANNEAU RESSORT	SPRENGRING
33	25110267/0	1	COPRISTAFFA	CLAMP COVER	COUVRE ETRIER	BRIDEDECKEL
34	25547039/0	1	PIASTRINA DESTRA	PLATE RIGHT	PLAQUE DROITE	PLATTE RECHTE
35	25547041/0	1	PIASTRINA SINISTRA	PLATE LEFT	PLAQUE GAUCHE	PLATTE GAUCHE
36	12731601/0	6	VITE	SCREW	VIS	SCHRAUBE
37	25033017/1	1	ASTA	ROD	BARRE	STANGE
38	12521350/0	2	RONDELLA	WASHER	RONDELLE	SCHEIBE
39	12155000/0	1	DADO	NUT	ECROU	MUTTER
40	25394500/1	1	MANOPOLA FRENO	BRAKE KNOB	POIGNEE DE FREIN	BREMSEKNOPF
41	25840004/0	1	ASTA COMANDO FRENO	BRAKE CONTROL ROD	TIGE CONTROLE FREIN	BREMSE KONTROLLESATZ
42	12521350/0	2	RONDELLA	WASHER	RONDELLE	SCHEIBE



N.	CODE	Q.TY	DESCRIZIONE	DESCRIPTION	DESCRIPTION	BESCHREIBUNG
43	12155000/0	2	DADO	NUT	ECROU	MUTTER
44	82000359/0	1	LEVE FRENO	BRAKE LEVERS	LEVIERS DE FREIN	BREMSEHEBELN
45	25040614/0	2	BUSSOLA	BUSH	DOUILLE	BÜCHSE
46	12608900/0	2	SEEGER	SEEGER	SEEGER	SEEGER
47	25510040/1	1	PERNO	PIN	PIVOT	BOLZEN
48	25670011/0	2	RONDELLA	WASHER	RONDELLE	SCHEIBE
49	12155000/0	1	DADO	NUT	ECROU	MUTTER
50	25033016/0	1	ASTA	ROD	BARRE	STANGE
51	12521350/0	2	RONDELLA	WASHER	RONDELLE	SCHEIBE
52	25430231/0	1	MOLLA	SPRING	RESSORT	FEDER
53	12155000/0	1	DADO	NUT	ECROU	MUTTER
54	25510041/0	1	PERNO	PIN	PIVOT	BOLZEN
55	12155000/0	1	DADO	NUT	ECROU	MUTTER
56	12193200/0	1	DADO	NUT	ECROU	MUTTER
57	12583500/0	1	GROWER	GROWER	GROWER	GROWER
58	12293200/0	1	DADO	NUT	ECROU	MUTTER
59	25430210/0	1	MOLLA	SPRING	RESSORT	FEDER
71	82869009/0	1	PIANTONE	STEERING COLOMN	TUBE DE DIRECTION	LENKSÄULE
72	25040601/0	2	BUSSOLA	BUSH	DOUILLE	BÜCHSE
73	25670006/0	2	RONDELLA	WASHER	RONDELLE	SCHEIBE
74	12001000/0	2	SEEGER	SEEGER	SEEGER	SEEGER

TC102

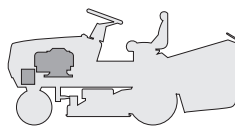
TC102 hy.

TC122 hy.

TCP102

TCP102 hy.

TCP122 hy.

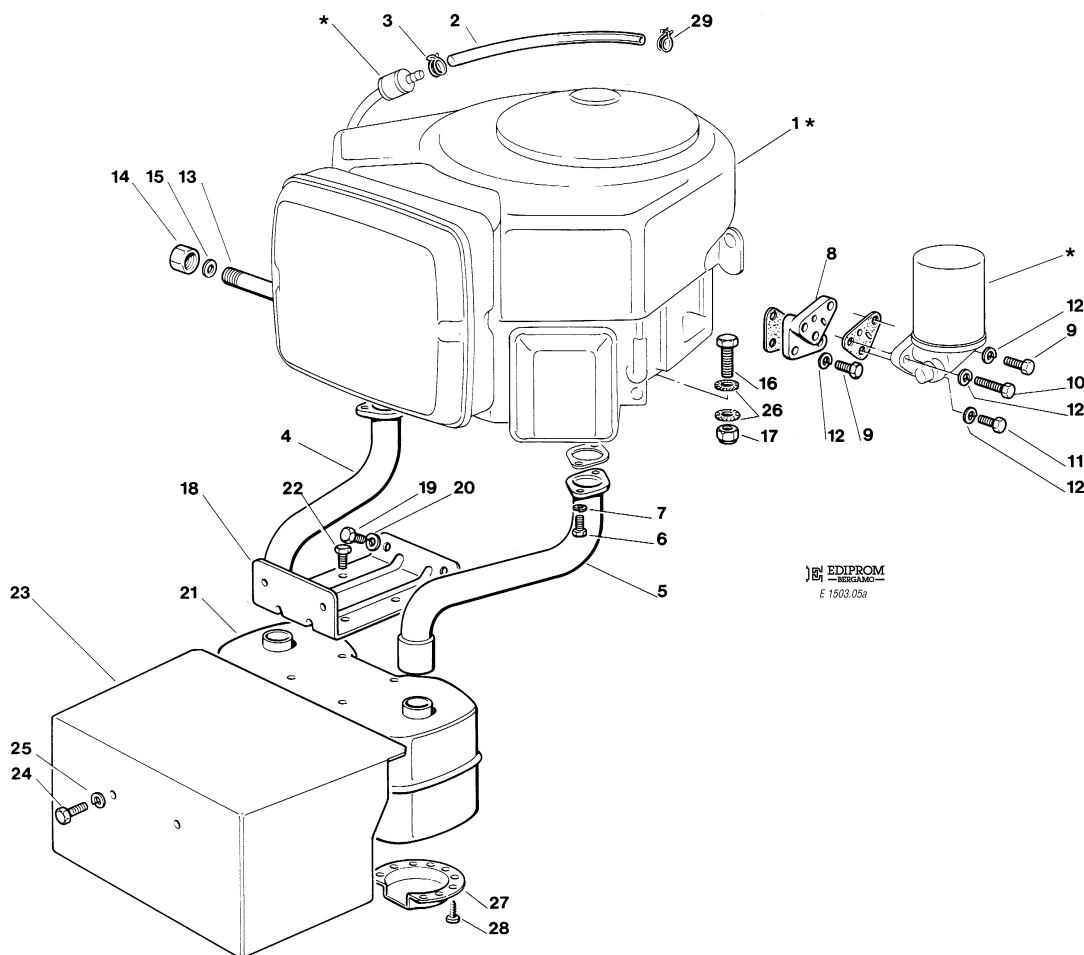


MOTORE
ENGINE
MOTEUR
MOTOR
16 - 18 HP B&S

1999

005a.0

1 / 2



N.	CODE	Q.TY	DESCRIZIONE	DESCRIPTION	DESCRIPTION	BESCHREIBUNG
1★	—	1	MOTORE	ENGINE	MOTEUR	MOTOR
2	25869017/0	1	TUBO COLLEGAMENTO	CONNECTING TUBE	TUBE DE CONNEXION	VERBINDUNGSROHR
3	18375051/1	1	FASCETTA	FAIR LED	FIXATION DE CABLE	KABELBEFESTIGUNG
4★	18738202/0	1	TUBO RACCORDO SCARICO DX	EXHAUST RIGHT CONNECTING TUBE	TUBE DE CONNEXION DROIT POUR ECHAPP.	RECHTES VERBINDUNGS- ROHR FÜR ABGASUNG
5★	18738203/0	1	TUBO RACCORDO SCARICO SX	EXHAUST LEFT CONNECTING TUBE	TUBE DE CONNEXION GAUCHE POUR ECHAPP.	LINKES VERBINDUNGS- ROHR FÜR ABGASUNG
6	12793101/0	4	VITE	SCREW	VIS	SCHRAUBE
7	12583500/0	4	GROWER	GROWER	GROWER	GROWER
8	25785095/0	1	SUPPORTO FILTRO	FILTER SUPPORT	SUPPORTE DU FILTRE	WECHSELFILTER HALTER
9	12791400/0	3	VITE	SCREW	VIS	SCHRAUBE
10	12689515/0	1	VITE	SCREW	VIS	SCHRAUBE
11	12791213/0	1	VITE	SCREW	VIS	SCHRAUBE
12	12582100/0	5	GROWER	GROWER	GROWER	GROWER
13	25598050/0	1	PROLUNGA SCARICO OLIO	OIL DISCHARGE EXTENSION	EXTENSION RALLONGE DE DECH. HUILE	ÖL ENTLEERUNGSVERLAEN- GERUNG
14	18737849/0	1	TAPPO PROLUNGA	OIL CAP	BOUCHON HUILE	OELVERSCHLUSS
15	18401001/0	1	GUARNIZIONE	OIL SEAL	GARNITURE	DICHTUNG
16	12691100/0	4	VITE	SCREW	VIS	SCHRAUBE
17	12293201/0	3	DADO	NUT	ECROU	MUTTER
	12293200/0	1	DADO	NUT	ECROU	MUTTER
18	82785093/0	1	PROTEZIONE SILENZIATORE	MUFFLER PROTECTION	PROTECTION SILENCIEUX	AUSPUFFSCHUTZ
19	12793102/0	2	VITE	SCREW	VIS	SCHRAUBE
20	12583500/0	2	GROWER	GROWER	GROWER	GROWER
21★	18716131/1	1	SILENZIATORE COMPLETO DI DEFLETTORE	MUFFLER WITH DEFLECTOR	SILENCEUX AVEC DEFLECTEUR	AUSPUFF MIT DEFLEKTOR
22	12735107/0	4	VITE	SCREW	VIS	SCHRAUBE
23	82598005/1	1	PROTEZIONE	GUARD	PROTECTION	SCHUTZE
24	12792610/0	2	VITE	SCREW	VIS	SCHRAUBE
25	12583500/0	2	GROWER	GROWER	GROWER	GROWER
26	12540260/0	2	RONDELLA	WASHER	RONDELLE	SCHEIBE



TC102 • TCP102 • TC102hy. • TCP102hy. • TC122hy. • TCP122hy.

1999

005a.0

2 / 2

N.	CODE	Q.TY	DESCRIZIONE	DESCRIPTION	DESCRIPTION	BESCHREIBUNG
27	18310005/0	1	DEFLETTORE	DEFLECTOR	DEFLECTEUR	DEFLEKTOR
28	12735106/0	4	VITE	SCREW	VIS	SCHRAUBE
29	18375053/0	1	FASCETTA	FAIR LED	FIXATION DE CABLE	KABELBEFESTIGUNG

PER LA SOSTITUZIONE DELLE PARTI CONTRASSEGNAE CON «★» RIVOLGERSI AL SERVIZIO ASSISTENZA DEL COSTRUTTORE DEL MOTORE.
TO REPLACE THE PARTS MARKED «★» SEEK ASSISTANCE FROM THE ENGINE MANUFACTURER'S AFTER SALES SERVICE.
POUR LE REMPLACEMENT DES PIÈCES MARQUÉES AVEC «★» S'ADRESSER AU SERVICE APRÈS VENTES DU CONSTRUCTEUR DU MOTEUR.
ZUM AUSTAUSCH DER MIT «★» GEKENNZEICHNETEN TEILE, WENDEN SIE SICH AN DEN KUNDENDIENST DES HERSTELLERS DES MOTOR.

TC102

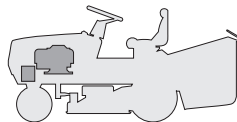
TC102 hy.

TC122 hy.

TCP102

TCP102 hy.

TCP122 hy.

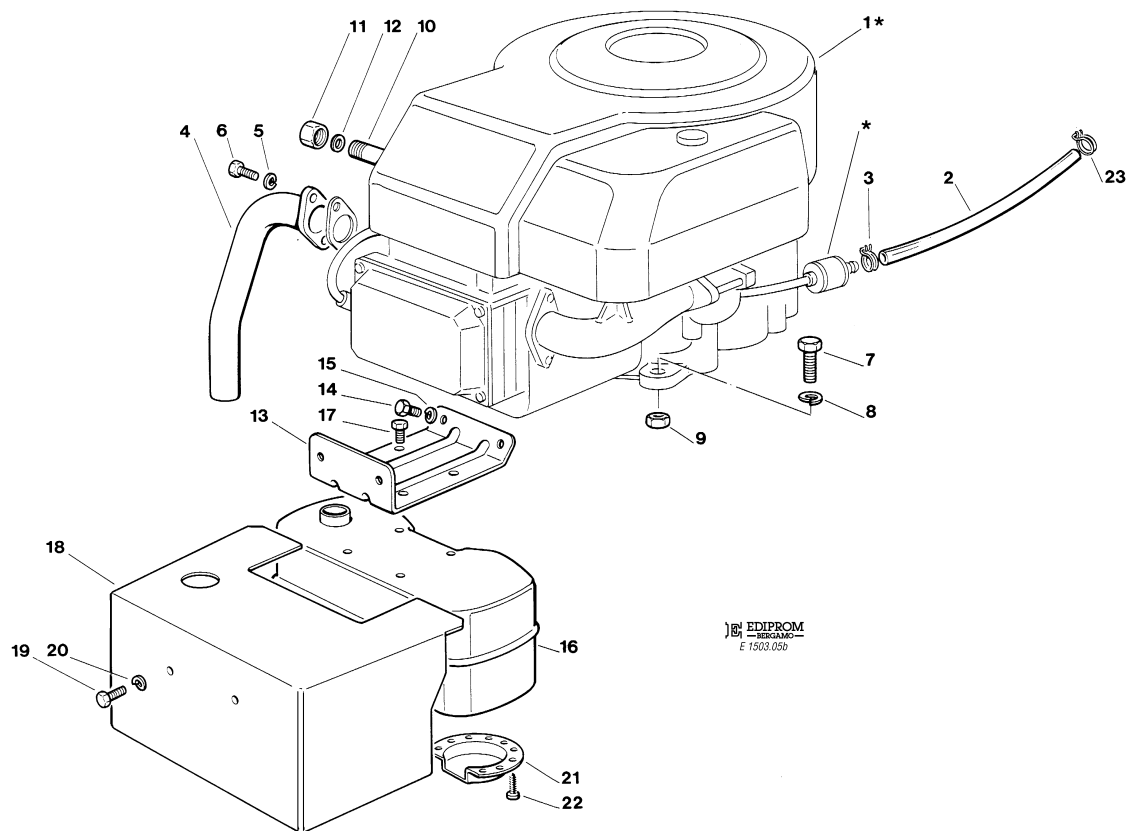


MOTORE
ENGINE
MOTEUR
MOTOR
15,5 HP B&S

1999

005b.0

1 / 1



EDIPROM
E 1503.05b

N.	CODE	Q.TY	DESCRIZIONE	DESCRIPTION	DESCRIPTION	BESCHREIBUNG
1*	—	1	MOTORE	ENGINE	MOTEUR	MOTOR
2	25869016/0	1	TUBO COLLEGAMENTO	CONNECTING TUBE	TUBE DE CONNEXION	VERBINDUNGSROHR
3	18375051/1	1	FASCETTA	FAIR LED	FIXATION DE CABLE	KABELBEFESTIGUNG
4*	18738206/0	1	TUBO RACCORDO SCARICO	EXHAUST CONNECTING TUBE	TUBE DE CONNEXION POUR ECHAPPEMENT	VERBINDUNGSROHR FÜR ABGASUNG
5	12583500/0	2	GROWER	GROWER	GROWER	GROWER
6	12735530/0	2	VITE	SCREW	VIS	SCHRAUBE
7	12691100/0	4	VITE	SCREW	VIS	SCHRAUBE
8	12540260/0	4	GROWER	GROWER	GROWER	GROWER
9	12293200/0	1	DADO	NUT	ECROU	MUTTER
10	25598050/0	1	PROLUNGA SCARICO OLIO	OIL DISCHARGE EXTENSION	EXTENSION RALLONGE DE DECH. HUILE	ÖL ENTLERUNGSVERLÄN- GERUNG
11	18737849/0	1	TAPPO PROLUNGA	OIL CAP	BOUCHON HUILE	OELVERSCHLUSS
12	18401001/0	1	GUARNIZIONE	OIL SEAL	GARNITURE	DICHTUNG
13	82785093/0	2	PROTEZIONE SILENZIATORE	MUFFLER PROTECTION	PROTECTION SILENCIEUX	AUSPUFFSCHUTZ
14	12793102/0	1	VITE	SCREW	VIS	SCHRAUBE
15	12583500/0	2	GROWER	GROWER	GROWER	GROWER
16	18716132/0	1	SILENZIATORE COMPLETO DI DEFLETTORE	MUFFLER WITH DEFLECTOR	SILENCEUX AVEC DEFLECTEUR	AUSPUFF MIT DEFLEKTOR
17	12735107/0	4	VITE	SCREW	VIS	SCHRAUBE
18	82598009/1	1	PROTEZIONE	GUARD	PROTECTION	SCHUTZE
19	12792611/0	2	VITE	SCREW	VIS	SCHRAUBE
20	12583500/0	2	GROWER	GROWER	GROWER	GROWER
21	18310005/0	1	DEFLETTORE	DEFLECTOR	DEFLECTEUR	DEFLEKTOR
22	12735106/0	4	VITE	SCREW	VIS	SCHRAUBE
23	18375053/0	1	FASCETTA	FAIR LED	FIXATION DE CABLE	KABELBEFESTIGUNG

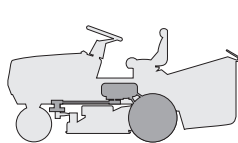
PER LA SOSTITUZIONE DELLE PARTI CONTRASSEGNALE CON «*» RIVOLGERSI AL SERVIZIO ASSISTENZA DEL COSTRUTTORE DEL MOTORE.
TO REPLACE THE PARTS MARKED «*» SEEK ASSISTANCE FROM THE ENGINE MANUFACTURER'S AFTER SALES SERVICE.
POUR LE REMPLACEMENT DES PIÈCES MARQUÉES AVEC «*» S'ADRESSER AU SERVICE APRÈS VENTES DU CONSTRUCTEUR DU MOTEUR.
ZUM AUSTAUSCH DER MIT «*» GEKENNZEICHNETEN TEILE, WENDEN SIE SICH AN DEN KUNDENDIENST DES HERSTELLERS DES MOTOR.

TC102

TC102 hy. TC122 hy.

TCP102

TCP102 hy. TCP122 hy.

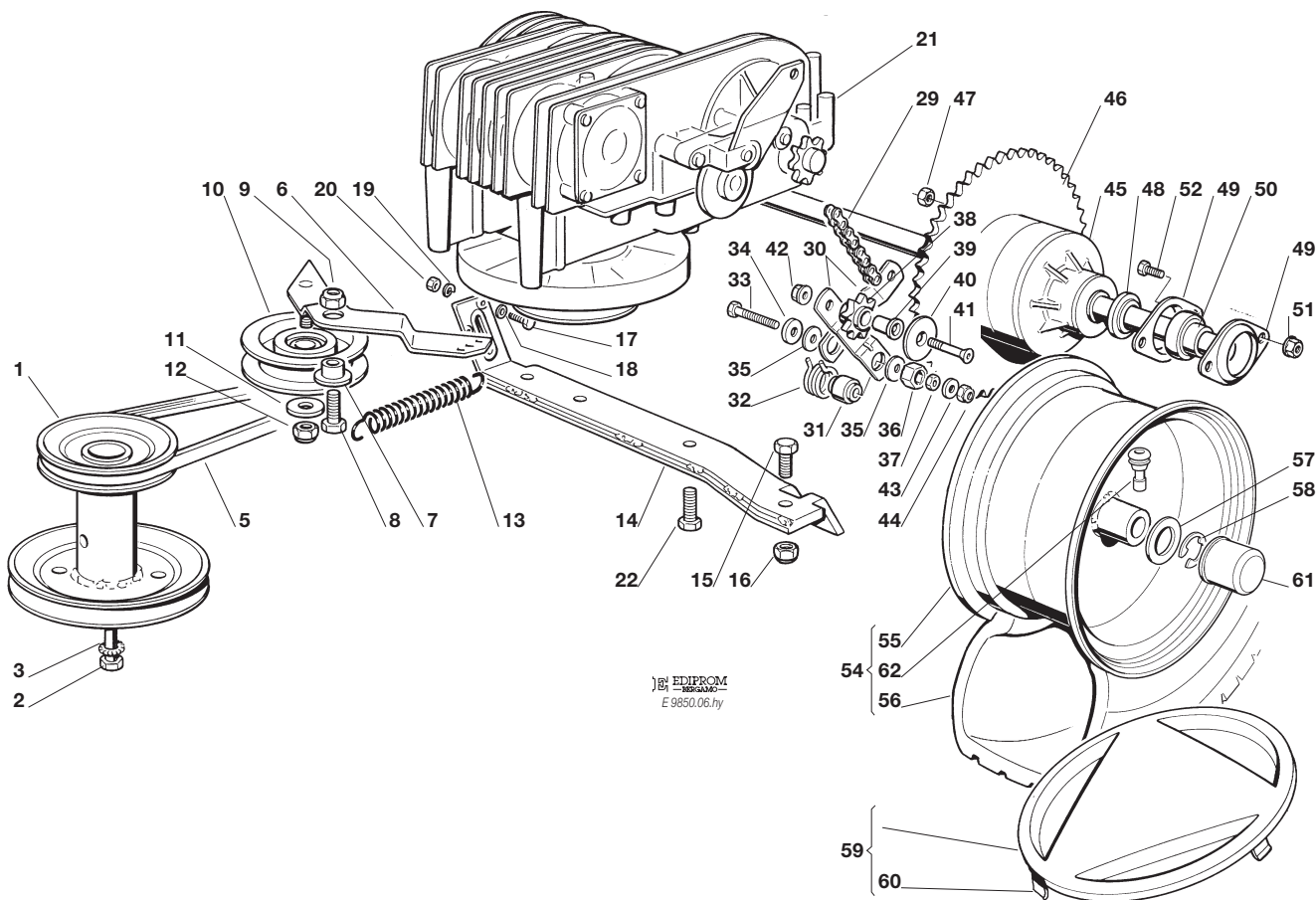


TRASMISSIONE
TRANSMISSION
TRANSMISSION
GETRIEBE

1999

006Y.0

1 / 2



EDIPROM
E 9850.06.hy

N.	CODE	Q.TY	DESCRIZIONE	DESCRIPTION	DESCRIPTION	BESCHREIBUNG
1	25601565/1	1	PULEGGIA MOTORE	ENGINE PULLEY	POULIE MOTEUR	RIEMENSCHLEIBE
2	12737310/0	1	VITE	SCREW	VIS	SCHRAUBE
3	12543000/0	1	RONDELLA	WASHER	RONDELLE	SCHLEIBE
5	35061426/0	1	CINGHIA	BELT	COURROIE	RIEMEN
6	82318113/0	1	LEVA GALOPPINO	TIGHTENER LEVER	LEVIER GALOPIN	LEIT ROLLE
7	25038002/0	1	BOCCOLA	BUSHING	DOUILLE	BÜCHSE
8	12793102/0	1	VITE	SCREW	VIS	SCHRAUBE
9	12155000/0	1	DADO	NUT	ECROU	MUTTER
10	25601554/0	1	PULEGGIA	PULLEY	POULIE	RIEMENSCHLEIBE
11	12523060/0	1	RONDELLA	WASHER	RONDELLE	SCHLEIBE
12	12155000/0	1	DADO	NUT	ECROU	MUTTER
13	25430219/0	1	MOLLA	SPRING	RESSORT	FEDER
14	82785095/0	1	SUPPORTO	BRACKET	SUPPORT	SUPPORT
15	12793301/0	2	VITE	SCREW	VIS	SCHRAUBE
16	12155010/0	2	DADO	NUT	ECROU	MUTTER
17	12651010/0	2	VITE	SCREW	VIS	SCHRAUBE
18	12521300/0	2	RONDELLA	WASHER	RONDELLE	SCHLEIBE
19	12581100/0	2	GROWER	GROWER	GROWER	GROWER
20	12290791/0	2	DADO	NUT	ECROU	MUTTER
21*	18400900/0	1	GRUPPO IDROSTATICO	HYDROSTATIC UNIT	ENS. HYDROSTATIQUE	HYDROSTATIK GRUPPE
22	12735595/0	4	VITE	SCREW	VIS	SCHRAUBE
29	15189001/0	1	CATENA	CHAIN	CHAINE	KETTE
30	25318122/0	2	LEVA FLOTTANTE	FLOATING LEVER	LEVIER	HEBEL
31	25040607/0	1	BUSSOLA	BUSH	DOUILLE	BÜCHSE
32	25430207/0	1	MOLLA	SPRING	RESSORT	FEDER
33	25943002/0	1	VITE	SCREW	VIS	SCHRAUBE
34	12523070/0	1	ROSETTA	WASHER	RONDELLE	SCHLEIBE
35	22672152/0	2	RONDELLA ANTIFRIZIONE	WASHER	RONDELLE	SCHLEIBE
36	25160006/0	1	DISTANZIALE	SPACER	ENTRETOISE	ENTFERNUNGSSTÜCK
37	12293200/0	1	DADO	NUT	ECROU	MUTTER
38	25570001/0	2	PIGNONE	PINION	PIGNON	RITZEL



N.	CODE	Q.TY	DESCRIZIONE	DESCRIPTION	DESCRIPTION	BESCHREIBUNG
39	25040608/0	2	BUSSOLA	BUSH	DOUILLE	BUCHSE
40	25670009/0	2	RONDELLA	WASHER	RONDELLE	SCHEIBE
41	12882020/0	2	VITE	SCREW	VIS	SCHRAUBE
42	12155000/0	2	DADO	NUT	ECROU	MUTTER
43	12524010/0	1	ROSETTA	WASHER	RONDELLE	SCHEIBE
44	12155000/0	1	DADO	NUT	ECROU	MUTTER
45★	25140201/0	1	DIFFERENZIALE	DIFFERENTIAL GEAR	DIFFERENTIEL	DIFFERENTIAL
46	16694600/1	1	CORONA	RING GEAR	COURONNE	KRANZ
47	12360354/1	4	DADO	NUT	ECROU	MUTTER
48	25160010/0	2	DISTANZIALE	SPACER	ENTRETOISE	ENTFERNUNGSSTÜCK
49	22207319/0	6	FLANGIA	FLANGE	BRIDE	FLANSCH
50	25122201/0	3	CUSCINETTO	BEARING	COUSSINET	KUGELLAGER
51	12293201/0	4	DADO	NUT	ECROU	MUTTER
52	12793301/0	2	VITE	SCREW	VIS	SCHRAUBE
54	82680003/0	2	RUOTA COMPLETA (TURF-SAVER)	WHEEL ASS.Y (TURF-SAVER)	ENSEMBLE ROUE (TURF-SAVER)	RAD (TURF-SAVER)
55	82000592/0	2	CERCHIO RUOTA POST.	REAR RIMM	BANDAGE ROUE POST.	HINTERRAD FELGER
56	25590001/0	2	PNEUMATICO (TURF-SAVER)	SHOE (TURF-SAVER)	PNEU (TURF-SAVER)	REIFEN (TURF-SAVER)
57	25670005/0	2	RONDELLA	WASHER	RONDELLE	SCHEIBE
58	12001010/1	2	ANELLO ELASTICO	SNAP RING	ANNEAU RESSORT	SPEIBRING
59	82110251/1	2	COPRIRUOTA POST. (TC)	REAR WHEEL DECK (TC)	COUVRE ROUE POST. (TC)	HINTERRADDECKEL (TC)
	82110253/0	2	COPRIRUOTA POST. (TCP)	REAR WHEEL DECK (TCP)	COUVRE ROUE POST. (TCP)	HINTERRADDECKEL (TCP)
60	25430209/0	8	MOLLA AGGANCIO	SPRING	RESSORT	FEDER
61	22110230/0	2	COPRIMOZZO	HUB COVER	COUVRE MOYEU	RADNABE DECKEL
62	25950000/0	2	VALVOLA	VALVE	SOUPAPE	VENTIL

PER LA SOSTITUZIONE DELLE PARTI CONTRASSEGNALE CON «★» RIVOLGERSI AL SERVIZIO ASSISTENZA DEL COSTRUTTORE (TECUMSEH).
 TO REPLACE THE PARTS MARKED «★» SEEK ASSISTANCE FROM MANUFACTURER'S AFTER SALES SERVICE (TECUMSEH).
 POUR LE REMPLACEMENT DES PIÈCES MARQUÉES AVEC «★» S'ADRESSER AU SERVICE APRÈS VENTES DU CONSTRUCTEUR (TECUMSEH).
 ZUM AUSTAUSCH DER MIT «★» GEKENNZEICHNETEN TEILE, WENDEN SIE SICH AN DEN KUNDENDIENST DES HERSTELLERS (TECUMSEH).

TC102

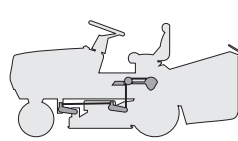
TC102 hy.

TC122 hy.

TCP102

TCP102 hy.

TCP122 hy.

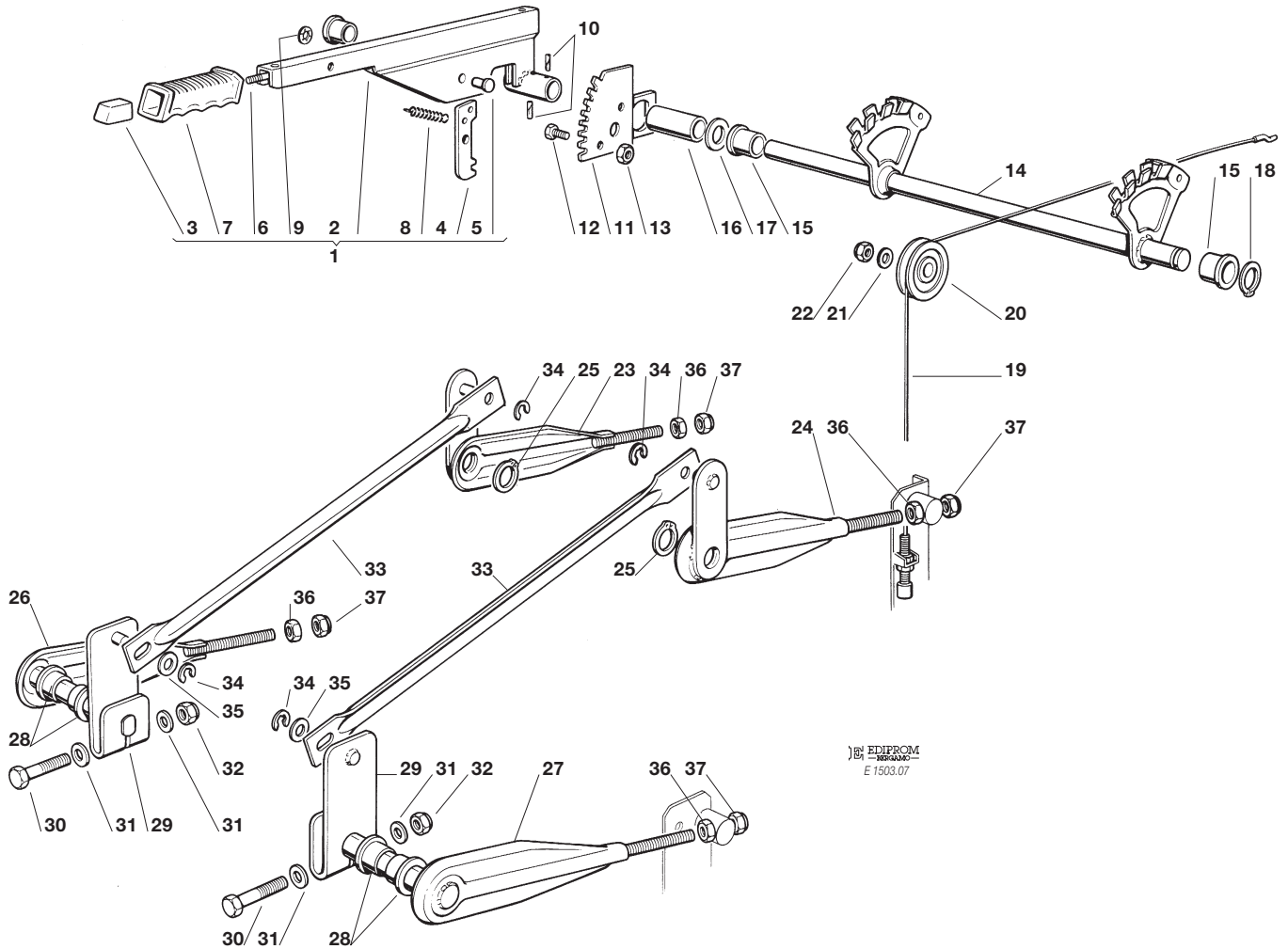


SOLLEVAMENTO PIATTO DI TAGLIO
CUTTING PLATE LIFTING
SOULEVEMENT PATEAU DE COUPE
SCHNEIDWERKZEUG AUFHEBESATZ

1999

007.0

1 / 2



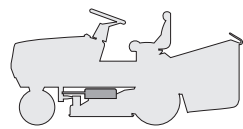
EDIPROM
E 1503.07

N.	CODE	Q.TY	DESCRIZIONE	DESCRIPTION	DESCRIPTION	BESCHREIBUNG
1	82300000/0	1	ASS. GRUPPO LEVA SOLLEVAMENTO PIATTO	LIFTING LEVER ASS.Y	ENS. LEVIER SOULEVEMENT PATEAU DE COUPE	SCHNEIDWERKZEUG AUFHEBENHEBEL
2	82318103/0	1	LEVA SOLLEVAMENTO	LIFTING LEVER	LEVIER DE SOULEVEMENT	AUFHEBENHEBEL
3	25605000/1	1	PULSANTE	BUTTON	POUSSOIR	DRUCKKNOPF
4	25470901/0	1	NASELLO	DOG	DECLIC	NASE
5	25510011/0	1	PERNO	PIN	PIVOT	BOLZEN
6	25033002/0	1	ASTA COMANDO	PUSHROD	TIGE COMMANDE	BETAETIGUNGSSTAB
7	25394504/0	1	MANOPOLA	KNOB	POIGNEE	GRIFF
8	25430208/0	1	MOLLA	SPRING	RESSORT	FEDER
9	12604899/0	1	RONDELLA	WASHER	RONDELLE	SCHEIBE
10	12620206/0	1	SPINA	PIN	GOUPILLE	STIFT
11	25735501/0	1	SETTORE REGOLAZIONE	ADJ. SECTOR	SECTEUR REGLEMENT	EINSTELLESEKTOR
12	12792611/0	2	VITE	SCREW	VIS	SCHRAUBE
13	12293201/0	2	DADO	NUT	ECROU	MUTTER
14	82000401/1	1	ASS. ASSE SOLLEVAMENTO	LIFTING SHAFT	ARBRE SOULEVEMENT	AUFHEBENACHSE
15	22034523/0	3	BOCCOLA	BUSH	DOUILLE	BÜCHSE
16	25160004/0	1	DISTANZIALE	SPACER	ENTRETOISE	ENTFERNUNGSSTUECK
17	12521410/0	1	RONDELLA	WASHER	RONDELLE	SCHEIBE
18	12609260/0	1	SEEGER	SEEGER	SEEGER	SEEGER
19	82004600/0	2	ASS. FILO SOLLEVAMENTO	LIFTING WIRE	ENS. FIL SOULEVEMENT	AUFHEBENKABEL
	82004605/0	1	FILO SOLLEVAMENTO SINISTRO (hydro)	LIFTING WIRE - LEFT (hydro)	ENS. FIL SOULEVEMENT GAUCHE (hydro)	AUFHEBENKABEL LINKE (hydro)
20	25601557/0	2	PULEGGIA	PULLEY	POULIE	SCHEIBE
21	12521350/0	2	RONDELLA	WASHER	RONDELLE	SCHEIBE
22	12155000/0	2	DADO	NUT	ECROU	MUTTER
23	82318105/1	1	LEVA FULCRO DX (TC(P) 102)	RIGHT FULCRUM LEVER (TC(P) 102)	LEVIER POINT D'APPUI DROITE (TC(P) 102)	RECHTER SCHWENKPUNKT HEBEL (TC(P) 102)
	82318119/1	1	LEVA FULCRO DX (TC(P) 122)	RIGHT FULCRUM LEVER (TC(P) 122)	LEVIER POINT D'APPUI DROITE (TC(P) 122)	RECHTER SCHWENKPUNKT HEBEL (TC(P) 122)
24	82318107/1	1	LEVA FULCRO SX (TC(P) 102)	LEFT FULCRUM LEVER (TC(P) 102)	LEVIER POINT D'APPUI GAUCHE (TC(P) 102)	LINKER SCHWENKPUNKT HEBEL (TC(P) 102)



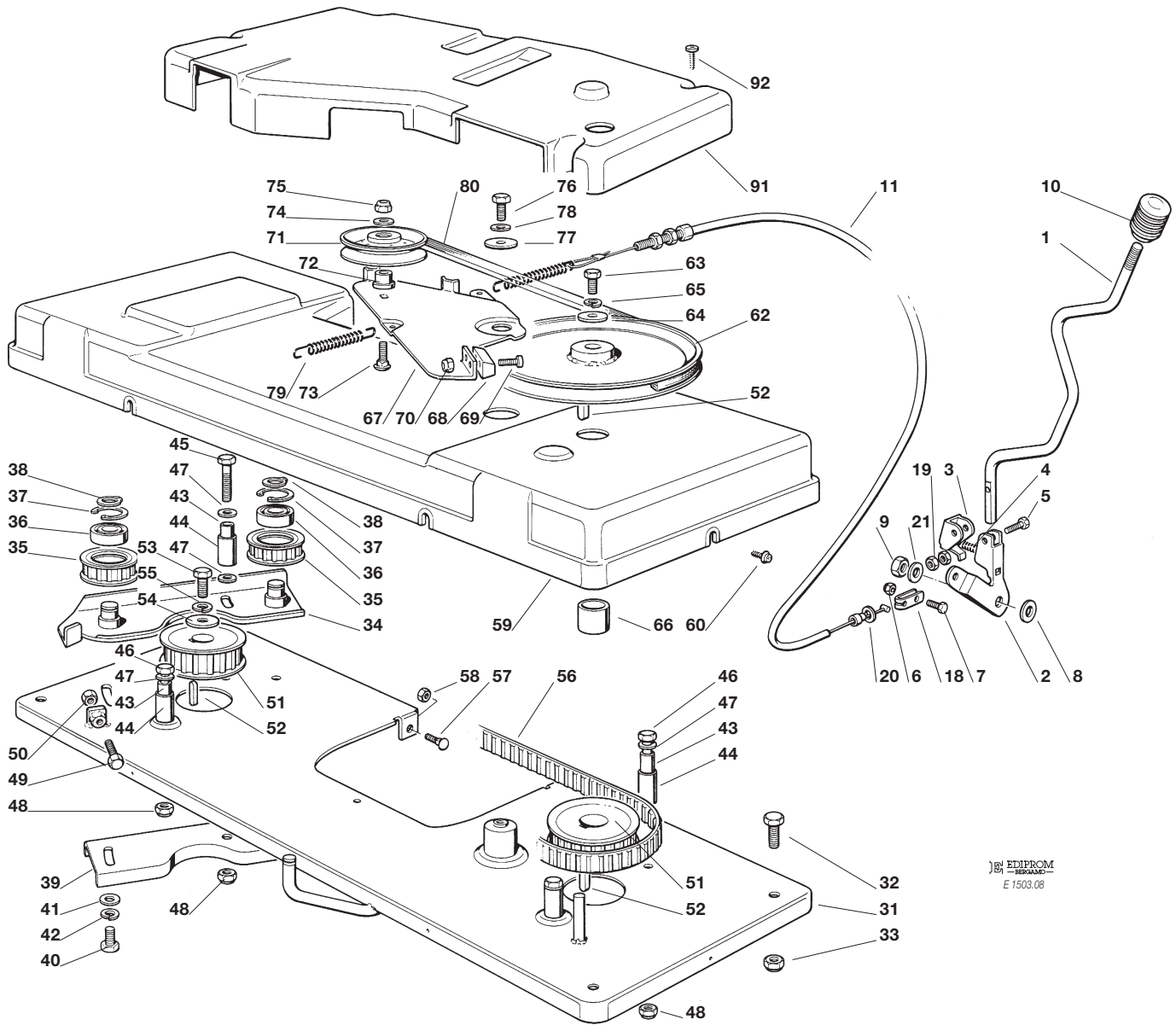
N.	CODE	Q.TY	DESCRIZIONE	DESCRIPTION	DESCRIPTION	BESCHREIBUNG
	82318121/1	1	LEVA FULCRO SX (TC(P) 122)	LEFT FULCRUM LEVER (TC(P) 122)	LEVIER POINT D'APPUI GAUCHE (TC(P) 122)	LINKER SCHWENKPUNKT HEBEL (TC(P) 122)
25	12609255/0	2	ANELLO	RING	ANNEAU	RING
26	82318115/0	1	LEVA FULCRO ANTERIORE DX (TC(P) 102)	FRONT FULCRUM LEVER RIGHT (TC(P) 102)	LEVIER POINT D'APPUI ANT. DROITE (TC(P) 102)	RECHTER VORDERSCHWENK- PUNKTHEBEL (TC(P) 102)
	82318123/0	1	LEVA FULCRO ANTERIORE DX (TC(P) 122)	FRONT FULCRUM LEVER RIGHT (TC(P) 122)	LEVIER POINT D'APPUI ANT. DROITE (TC(P) 122)	RECHTER VORDERSCHWENK- PUNKTHEBEL (TC(P) 122)
27	82318117/0	1	LEVA FULCRO ANTERIORE SX (TC(P) 102)	FRONT FULCRUM LEVER LEFT (TC(P) 102)	LEVIER POINT D'APPUI ANT. GAUCHE (TC(P) 102)	LINKER VORDERSCHWENK- PUNKTHEBEL (TC(P) 102)
	82318125/0	1	LEVA FULCRO ANTERIORE SX (TC(P) 122)	FRONT FULCRUM LEVER LEFT (TC(P) 122)	LEVIER POINT D'APPUI ANT. GAUCHE (TC(P) 122)	LINKER VORDERSCHWENK- PUNKTHEBEL (TC(P) 122)
28	25040605/0	4	BUSSOLA	BUSH	DOUILLE	BÜCHSE
29	82318109/0	2	LEVA ASTA COLLEGAMENTO	CONNECTING ROD LEVER	LEVIER TIGE DE CONNEXION	VERBINDUNGSSTAB HEBEL
30	12691700/0	2	VITE	SCREW	VIS	SCHRAUBE
31	12521350/0	4	RONDELLA	WASHER	RONDELLE	SCHEIBE
32	12155000/0	2	DADO	NUT	ECROU	MUTTER
33	25033001/0	2	ASTA COLLEGAMENTO	CONNECTING ROD	TIGE DE CONNEXION	VERBINDUNGSSTAB
34	12000955/0	4	ANELLO ELASTICO	SNAP RING	ANNEAU RESSORT	SPRENGRING
35	25670008/0	2	RONDELLA	WASHER	RONDELLE	SCHEIBE
36	12295200/0	4	DADO	NUT	ECROU	MUTTER
37	12156602/0	4	DADO	NUT	ECROU	MUTTER

TC102	TC102 hy.	TC122 hy.
TCP102	TCP102 hy.	TCP122 hy.



PIATTO DI TAGLIO (1)
CUTTING PLATE (1)
PLATEAU DE COUPE (1)
SCHNEIDWERKZEUG (1)

1999
008.0
1 / 2



EDIPROM
 BERGAMO
 E 1503.08

N.	CODE	Q.TY	DESCRIZIONE	DESCRIPTION	DESCRIPTION	BESCHREIBUNG
1	25318120/0	1	LEVA INNESTO	ENGAGING LEVER	LEVIER D'EMBRAYAGE	EINSCHALTENHEBEL
2	82774209/0	1	STAFFA LEVA	CLAMP LEVER	BRIDE POUR LEVIER	BRIDE FÜR HEBEL
3	25774211/1	1	STAFFA MOLLA	CLAMP SPRING	BRIDE POUR RESSORT	BRIDE FÜR FEDER
4	25430206/1	1	MOLLA	SPRING	RESSORT	FEDER
5	12674550/0	1	VITE	SCREW	VIS	SCHRAUBE
6	12154510/0	1	DADO	NUT	ECROU	MUTTER
7	12791213/0	1	VITE	SCREW	VIS	SCHRAUBE
8	22672151/0	1	RONDELLA	WASHER	RONDELLE	SCHEIBE
9	12155010/0	1	DADO	NUT	ECROU	MUTTER
10	25394503/1	1	MANOPOLA	HANDLE	POIGNÉE	GRIFF
11	82004601/2	1	ASSIEME FILO (TC(P) 102)	WIRE ASS.Y (TC(P) 102)	ENSEMBLE FIL (TC(P) 102)	KABEL (TC(P) 102)
	82004602/3	1	ASSIEME FILO (TC(P) 122)	WIRE ASS.Y (TC(P) 122)	ENSEMBLE FIL (TC(P) 122)	KABEL (TC(P) 122)
18	22061337/0	1	CAVALLOTTO	CONNECTING PLATE	PLAQUE DE CONNEXION	BUGEL BOLZEN
19	12292100/0	2	DADO	NUT	ECROU	MUTTER
20	12521350/0	1	RONDELLA	WASHER	RONDELLE	SCHEIBE
21	12523060/0	1	RONDELLA	WASHER	RONDELLE	SCHEIBE
31	82547003/1	1	PIASTRA (TC(P) 102)	PLATE (TC(P) 102)	PLATE (TC(P) 102)	PLATTE (TC(P) 102)
	82547005/0	1	PIASTRA (TC(P) 122)	PLATE (TC(P) 122)	PLATE (TC(P) 122)	PLATTE (TC(P) 122)
32	12792611/0	4	VITE	SCREW	VIS	SCHRAUBE
33	12293201/0	4	DADO	NUT	ECROU	MUTTER
34	82785084/1	1	SUPPORTO	SUPPORT	SUPPORT	HALTERSATZ
35	25601559/1	2	PULEGGIA (TC(P) 102)	PULLEY (TC(P) 102)	POULIE (TC(P) 102)	RIEMENSCHLEIBE (TC(P) 102)
	25601561/0	2	PULEGGIA (TC(P) 122)	PULLEY (TC(P) 122)	POULIE (TC(P) 122)	RIEMENSCHLEIBE (TC(P) 122)



N.	CODE	Q.TY	DESCRIZIONE	DESCRIPTION	DESCRIPTION	BESCHREIBUNG
36	19216033/1	2	CUSCINETTO	BEARING	ROULEMENT	KUEGELLAGER
37	12610800/0	2	SEEGER	SEEGER	SEEGER	SEEGER
38	12609200/0	2	SEEGER	SEEGER	SEEGER	SEEGER
39	25650037/0	1	RINF. PULEGGE	PULLEY STIFFENING	REINFORCEMENT DES POULIE	RIEMENSCHLEIBE VERSTAERKUNG
40	12793102/0	2	VITE	SCREW	VIS	SCHRAUBE
41	12521350/0	2	RONDELLA	WASHER	RONDELLE	SCHLEIBE
42	12583500/0	2	GROWER	GROWER	GROWER	GROWER
43	25160003/0	4	DISTANZIALE	SPACER	ENTRETOISE	DISTANZRING
44	25038000/0	4	BOCCOLA	BUSHING	DOUILLE	BUCHSE
45	12691700/0	1	VITE	SCREW	VIS	SCHRAUBE
46	12691200/0	3	VITE	SCREW	VIS	SCHRAUBE
47	12521350/0	5	RONDELLA	WASHER	RONDELLE	SCHLEIBE
48	12155000/0	4	DADO	NUT	ECROU	MUTTER
49	12793900/0	1	VITE	SCREW	VIS	SCHRAUBE
50	12293200/0	1	DADO	NUT	ECROU	MUTTER
51	25601560/0	2	PULEGGIA (TC(P) 102)	PULLEY (TC(P) 102)	POULIE (TC(P) 102)	RIEMENSCHLEIBE (TC(P) 102)
	25601562/0	2	PULEGGIA (TC(P) 122)	PULLEY (TC(P) 122)	POULIE (TC(P) 122)	RIEMENSCHLEIBE (TC(P) 122)
52	12139480/0	3	CHIAVETTA	KEY	CLAVETTE	KEIL
53	12793102/0	1	VITE	SCREW	VIS	SCHRAUBE
54	25670007/0	1	RONDELLA	WASHER	RONDELLE	SCHLEIBE
55	12583500/0	1	GROWER	GROWER	GROWER	GROWER
56	35065600/0	1	CINGHIA (TC(P) 102)	BELT (TC(P) 102)	COURROIRE (TC(P) 102)	KEILRIEMEN (TC(P) 102)
	35065601/0	1	CINGHIA (TC(P) 122)	BELT (TC(P) 122)	COURROIRE (TC(P) 122)	KEILRIEMEN (TC(P) 122)
57	12815200/0	3	VITE	SCREW	VIS	SCHRAUBE
58	12292102/0	3	DADO	NUT	ECROU	MUTTER
59	25060100/1	1	CARTER (TC(P) 102)	CASE (TC(P) 102)	CARTER (TC(P) 102)	BLECH (TC(P) 102)
	25060101/0	1	CARTER (TC(P) 122)	CASE (TC(P) 122)	CARTER (TC(P) 122)	BLECH (TC(P) 122)
60	12735110/0	6	VITE	SCREW	VIS	SCHRAUBE
62	25601550/0	1	PULEGGIA (TC(P) 102)	PULLEY (TC(P) 102)	POULIE (TC(P) 102)	RIEMENSCHLEIBE (TC(P) 102)
	25601549/0	1	PULEGGIA (TC(P) 122)	PULLEY (TC(P) 122)	POULIE (TC(P) 122)	RIEMENSCHLEIBE (TC(P) 122)
63	12793102/0	1	VITE	SCREW	VIS	SCHRAUBE
64	25670007/0	1	RONDELLA	WASHER	RONDELLE	SCHLEIBE
65	12583500/0	1	GROWER	GROWER	GROWER	GROWER
66	25160002/0	1	DISTANZIALE	SPACER	ENTRETOISE	DISTANZRING
67	25318115/0	1	LEVA FRENO (TC(P) 102)	BRAKE LEVER (TC(P) 102)	LEVIER FREIN (TC(P) 102)	BREMSHEBEL (TC(P) 102)
	25318119/0	1	LEVA FRENO (TC(P) 122)	BRAKE LEVER (TC(P) 122)	LEVIER FREIN (TC(P) 122)	BREMSHEBEL (TC(P) 122)
68	25207000/1	1	FERODO	LINING	PASTILLE FREIN	BREMSBELAG
69	12771400/0	2	VITE	SCREW	VIS	SCHRAUBE
70	12154330/0	2	DADO	NUT	ECROU	MUTTER
71	25601555/0	1	PULEGGIA	PULLEY	POULIE	RIEMENSCHLEIBE
72	25160007/0	1	DISTANZIALE	SPACER	ENTRETOISE	DISTANZRING
73	12818900/0	1	VITE	SCREW	VIS	SCHRAUBE
74	12523060/0	1	RONDELLA	WASHER	RONDELLE	SCHLEIBE
75	12155000/0	1	DADO	NUT	ECROU	MUTTER
76	12793102/0	1	VITE	SCREW	VIS	SCHRAUBE
77	12523070/0	1	RONDELLA	WASHER	RONDELLE	SCHLEIBE
78	12583500/0	1	GROWER	GROWER	GROWER	GROWER
79	25430210/0	1	MOLLA FRENO LAMA (TC(P) 102)	BLADE BRAKE SPRING (TC(P) 102)	RESSORT FREIN LAME (TC(P) 102)	MESSER BREMSE FEDER (TC(P) 102)
	25430220/0	1	MOLLA FRENO LAMA (TC(P) 122)	BLADE BRAKE SPRING (TC(P) 122)	RESSORT FREIN LAME (TC(P) 122)	MESSER BREMSE FEDER (TC(P) 122)
80	35062813/0	1	CINGHIA (TC(P) 102)	BELT (TC(P) 102)	COURROIE (TC(P) 102)	KEIL RIEMEN (TC(P) 102)
	35062814/0	1	CINGHIA (TC(P) 122)	BELT (TC(P) 122)	COURROIE (TC(P) 122)	KEIL RIEMEN (TC(P) 122)
91	25600000/0	1	PROTEZIONE CINGHIA POST. (TC(P) 102)	REAR BELT PROTECTION (TC(P) 102)	PROTECTION COURROIRE POSTERIEURE (TC(P) 102)	HINTERRIEMENSCHUTZ (TC(P) 102)
	25600008/0	1	PROTEZIONE CINGHIA POST. (TC(P) 122)	REAR BELT PROTECTION (TC(P) 122)	PROTECTION COURROIRE POSTERIEURE (TC(P) 122)	HINTERRIEMENSCHUTZ (TC(P) 122)
92	12735402/0	4	VITE	SCREW	VIS	SCHRAUBE

TC102

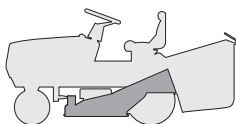
TC102 hy.

TC122 hy.

TCP102

TCP102 hy.

TCP122 hy.



PIATTO DI TAGLIO (2)

CUTTING PLATE (2)

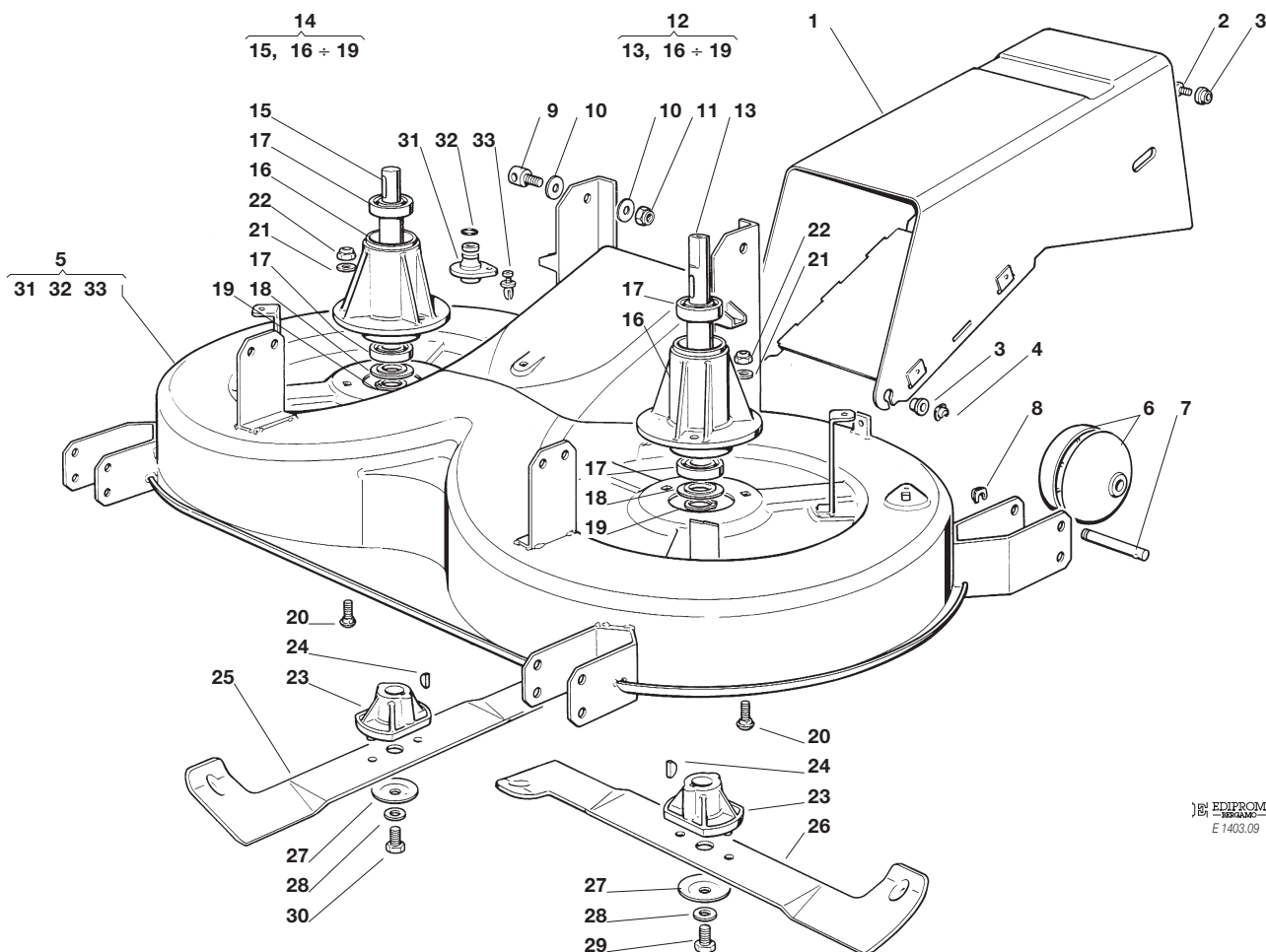
PLATEAU DE COUPE (2)

SCHNEIDWERKZEUG (2)

1999

009.0

1 / 2

EDIPROM
E 1403.09

N.	CODE	Q.TY	DESCRIZIONE	DESCRIPTION	DESCRIPTION	BESCHREIBUNG
1	82108004/0	1	CONVOGLIATORE POSTER.	REAR CONVEYOR ASS.Y	ENS. CONVOYEUR POST.	HINTERLEITBLECHSATZ
2	12793102/0	2	VITE	SCREW	VIS	SCHRAUBE
3	25038002/0	4	BOCCOLA	BUSHING	DOUILLE	BUCHSE
4	12436050/0	2	PIASTRINA	PLATE	PLAQUE	PLATTE
5	82565005/0	1	ASSIEME PIATTO DI TAGLIO (+32-33-34) (TC(P) 102)	CUTTING PLATE ASS.Y (+32-33-34) (TC(P) 102)	ENS. PLATEAU DE COUPE (+32-33-34) (TC(P) 102)	SCHNEIDWERKZEUG (+32-33-34) (TC(P) 102)
	82565008/0	1	ASSIEME PIATTO DI TAGLIO (+32-33-34) (TC(P) 122)	CUTTING PLATE ASS.Y (+32-33-34) (TC(P) 122)	ENS. PLATEAU DE COUPE (+32-33-34) (TC(P) 122)	SCHNEIDWERKZEUG (+32-33-34) (TC(P) 122)
6	82700000/0	4	RUOTINO ANTISCALPO	LEVELLING SMALL WHEEL	ROULETTES ANTISCALP	EBENUNGRAEDCHEN
7	25510006/0	4	PERNO	PIN	PIVOT	BOLZEN
8	12436030/0	4	PIASTRINA	PLATE	PLAQUE	PLATTE
9	25510024/0	4	PERNO	PIN	PIVOT	BOLZEN
10	25670008/0	8	RONDELLA	WASHER	RONDELLE	SCHEIBE
11	12156602/0	4	DADO	NUT	ECROU	MUTTER
12	82207200/1	1	ASS. FLANGIA ALBERO PRINCIPALE (13, 16÷19)	BLADE MAIN SHAFT SUPPORT (13, 16÷19)	SUPPORT ARBRE LAME PRINCIPAL (13, 16÷19)	MESSERWELLEHAFT- SATZ (13, 16÷19)
13	25020800/1	1	ALBERO LAMA PRINCIPALE	MAIN BLADE SHAFT	ARBRE LAME PRINCIPAL	HAUP MESSERWELLE
14	82207201/2	1	ASS. FLANGIA ALBERO SECONDARIO (15, 16÷19)	BLADE SECONDARY SHAFT SUPPORT (15, 16÷19)	SUPPORT ARBRE LAME SECONDAIRE (15, 16÷19)	MASSERWELLE ZWEITER- SATZ (15, 16÷19)
15	25020801/2	1	ALBERO LAMA SECONDARIO	SECONDARY BLADE SHAFT	ARBRE LAME SECONDAIRE	ZWEITE MESSERWELLE
16	25207200/0	2	FLANGIA ALBERO LAMA	BLADE SHAFT SUPPORT	SUPPORT ARBRE LAME	MESSERWELLE
17	19216032/0	4	CUSCINETTO	BEARING	ROULEMENT	KUEGELLAGER
18	25160501/0	2	DISCO PARAPOLVERE	DUST COVER	PROTEGE-POUSSIÈRE	STAUBSCHUTTSCHIEBE
19	12609260/0	2	SEEGER	SEEGER	SEEGER	SEEGER
20	12818700/0	6	VITE	SCREW	VIS	SCHRAUBE
21	12521350/0	6	RONDELLA	WASHER	RONDELLE	SCHEIBE
22	12155000/0	6	DADO	NUT	ECROU	MUTTER
23	25463200/0	2	MOZZO COLTELLO	BLADE HUB	MOYEU LAME	MESSERHALTER
24	12139100/0	2	LINGUETTA	KEY	CLAVETTE	KEIL
25	82004341/0	1	COLTELLO DX (TC(P) 102)	RIGHT BLADE (TC(P) 102)	LAME DROITE (TC(P) 102)	RECHTER MESSER (TC(P) 102)



N.	CODE	Q.TY	DESCRIZIONE	DESCRIPTION	DESCRIPTION	BESCHREIBUNG
	82004343/0	1	COLTELLO DX (TC(P) 122)	RIGHT BLADE (TC(P) 122)	LAME DROITE (TC(P) 122)	RECHTER MESSER (TC(P) 122)
26	82004340/0	1	COLTELLO SX (TC(P) 102)	LEFT BLADE (TC(P) 102)	LAME GAUCHE (TC(P) 102)	LINKER MESSER (TC(P) 102)
	82004342/0	1	COLTELLO SX (TC(P) 122)	LEFT BLADE (TC(P) 122)	LAME GAUCHE (TC(P) 122)	LINKER MESSER (TC(P) 122)
27	22160400/0	2	DISCO ELASTICO	ELASTIC WASHER	RONDELLE ELASTIQUE	FEDERSCHEIBE
28	12523080/0	2	RONDELLA	WASHER	RONDELLE	SCHEIBE
29	12735694/0	1	VITE	SCREW	VIS	SCHRAUBE
30	12735695/1	1	VITE	SCREW	VIS	SCHRAUBE
31	25033060/0	2	ATTACCO TUBO ACQUA	WATER HOSE CONNECTION	RACCORD TUYAU D'EAU	WASSERANSCHLUSS
32	19035000/0	2	ANELLO OR	O RING	O RING	O RING
33	12500030/0	2	RIVETTO	RIVET	RIVET	NIET
—	82565000/1	1	PIATTO DI TAGLIO ASSEMBLATO (TC(P) 102) (008, 31÷92 + 009, 5÷33)	CUTTING PLATE, ASSEMBLED (TC(P) 102) (008, 31÷92 + 009, 5÷33)	PLATEAU DE COUPE,S COMPLETE (TC(P) 102) (008, 31÷92 + 009, 5÷33)	CHNEIDWERKZEUG, KOMPLETT (TC(P) 102) (008, 31÷92 + 009, 5÷33)
—	82565003/1	1	PIATTO DI TAGLIO, ASSEMBLATO (TC(P) 122) (008, 31÷92 + 009, 5÷33)	CUTTING PLATE, ASSEMBLED (TC(P) 122) (008, 31÷92 + 009, 5÷33)	PLATEAU DE COUPE,S COMPLETE (TC(P) 122) (008, 31÷92 + 009, 5÷33)	CHNEIDWERKZEUG, KOMPLETT (TC(P) 122) (008, 31÷92 + 009, 5÷33)

TC102

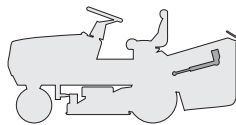
TC102 hy.

TC122 hy.

TCP102

TCP102 hy.

TCP122 hy.

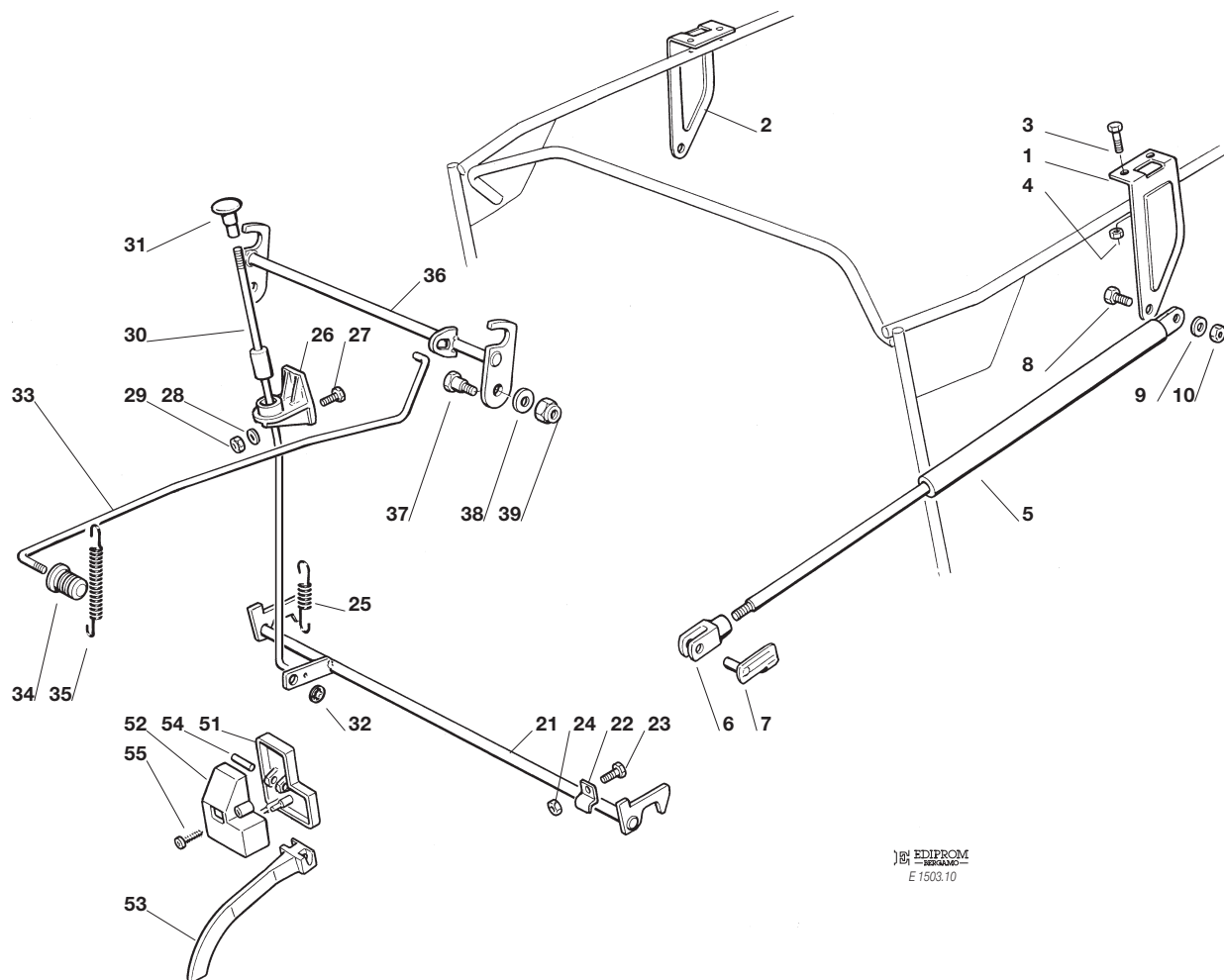


SOLLEVAMENTO SACCO E MICRO SACCO PIENO
LIFTING DEVICE AND FULL GRASSCAT. MICRO
SOULEVEMENT BAC ET MICRO BAC PLEIN
AUSHEBENVORR. UND VOLLKORB EIN RICHTUNG

1999

010.0

1 / 2



EDIPROM
E 1503.10

N.	CODE	Q.TY	DESCRIZIONE	DESCRIPTION	DESCRIPTION	BESCHREIBUNG
1	25547005/0	1	PIASTRA SX	LEFT PLATE	PLAQUE GAUCHE	LINKE PLATTE
2	25547007/0	1	PIASTRA DX	RIGHT PLATE	PLAQUE DROITE	RECHTE PLATTE
3	12792611/0	4	VITE	SCREW	VIS	SCHRAUBE
4	12293201/0	4	DADO	NUT	ECROU	MUTTER
5	18564600/0	2	PISTONE SOLLEVAMENTO	LIFTING PISTON	RESSORT A GAZ	GASFEDER
6	18399000/0	2	FORCELLA	FORK	FOURCHE	GABEL
7	18210200/0	2	CLIP	CLIP	CLIP	SPERRBOLZEN
8	12793101/0	2	VITE	SCREW	VIS	SCHRAUBE
9	12521350/0	2	ROSETTA	WASHER	RONDELLE	SCHEIBE
10	12155000/0	2	DADO	NUT	ECROU	MUTTER
21	82000357/0	1	ASTA AGGANCIAMENTO SACCO INF.	LOWER COUPLING ROD	TIGE D'ACCROCHAGE INF.	UNTERE KUPPLUNGSTANGE
22	25774220/0	2	STAFFA ANCORAGGIO	ANCHOR BRACKET	ETRIER	BRIDE
23	12791200/0	4	VITE	SCREW	VIS	SCHRAUBE
24	12292102/0	2	DADO	NUT	ECROU	MUTTER
25	25430220/0	1	MOLLA	SPRING	RESSORT	FEDER
26	25785055/0	1	SUPPORTO GUIDA ASTA	SUPPORT	SUPPORT	SUPPORT
27	12791200/0	1	VITE	SCREW	VIS	SCHRAUBE
28	12521330/0	1	ROSETTA	WASHER	RONDELLE	SCHEIBE
29	12154510/0	1	DADO	NUT	ECROU	MUTTER
30	82000462/0	1	ASTA SGANCIO	RELEASE ROD	TIGE DE DECROCHAGE	ENTKUPPLUNGSTANGE
31	82394507/0	1	MANOPOLA	HANDLE	POIGNEE	GRIFF
32	12604898/0	1	RONDELLA DI RITEGNO	WASHER	RONDELLE	SCHEIBE
33	25033015/0	1	ASTA BLOCCAGGIO	LOCKING ROD	TIGE DE BLOCAGE	KLEMENSTANGE
34	25033018/0	1	ASTA BLOCCAGGIO (hydro)	LOCKING ROD (hydro)	TIGE DE BLOCAGE (hydro)	KLEMENSTANGE (hydro)
35	25394500/1	1	MANOPOLA	HANDLE	POINGEE	GRIFF
36	25430213/0	1	MOLLA	SPRING	RESSORT	FEDER
37	82000355/0	1	ASTA AGGANCIAMENTO SACCO SUP.	UPPER COUPLING ROD	TIGE D'ACCROCHAGE SUP.	OBERE KUPPLUNGSTANGE
38	25510038/0	2	PERNO	PIN	PIVOT	BOLZEN

**TC102 • TCP102 • TC102hy. • TCP102hy. • TC122hy. • TCP122hy.**

1999

010.0

2 / 2

N.	CODE	Q.TY	DESCRIZIONE	DESCRIPTION	DESCRIPTION	BESCHREIBUNG
38	12521350/0	2	ROSETTA	WASHER	RONDELLE	SCHEIBE
39	12155000/0	2	DADO	NUT	ECROU	MUTTER
51	25600040/0	1	COPERCHIO PROTEZIONE	PROTECTION	PROTECTION	SHUTZ
52	25600039/0	1	PROTEZIONE MICRO	MICRO PROTECTION	PROTECTION MICRO	SCHUTZ
53	25318112/0	1	LEVA	LEVER	LEVIER	HEBEL
54	12400030/0	1	PERNO	PIN	PIVOT	BOLZEN
55	12728440/0	2	VITE	SCREW	VIS	SCHRAUBE

TC102

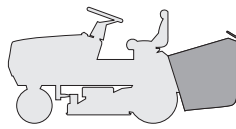
TC102 hy.

TC122 hy.

TCP102

TCP102 hy.

TCP122 hy.

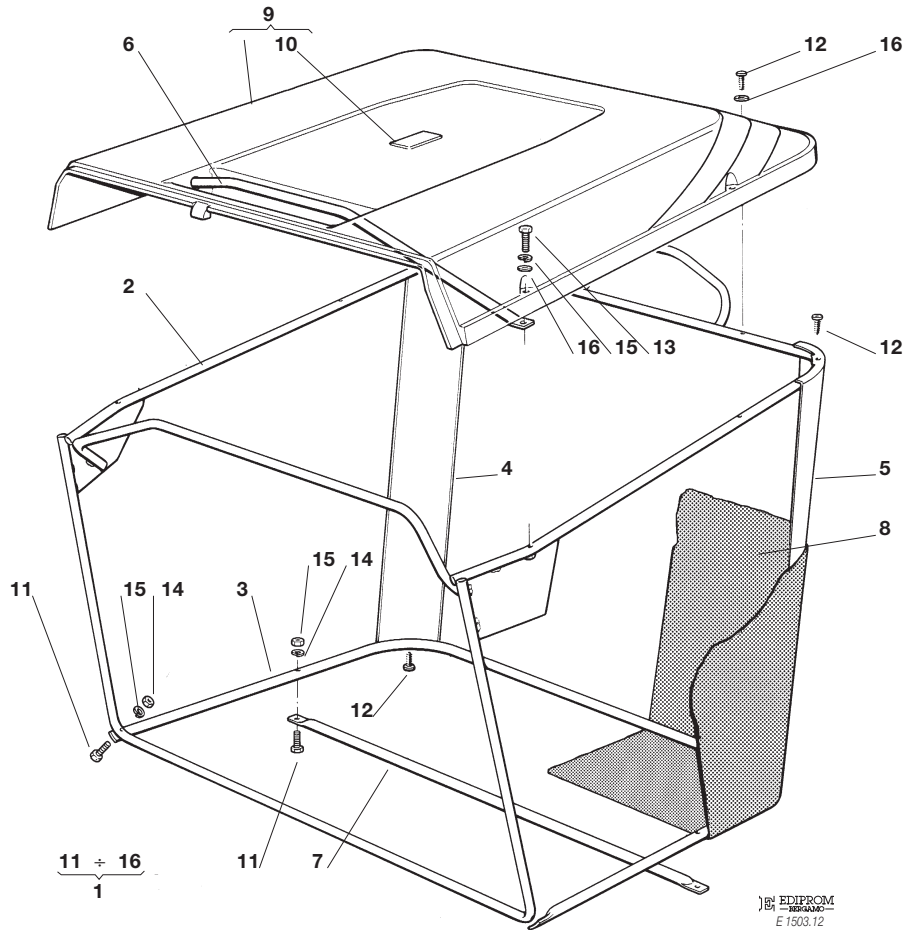


SACCO
GRASSCATCHER
BAC
AUFFANGSACK

1999

011.0

1 / 2



EDIPROM
E 1503.12

N.	CODE	Q.TY	DESCRIZIONE	DESCRIPTION	DESCRIPTION	BESCHREIBUNG
1	82180000/2	1	DOTAZIONE SACCO	GRASS-BOX OUTFIT	DOTATION BAC	KORBAUS TATTUNG
2	82800008/0	1	TELAIO SUP.	UPPER FRAME	CHASSIS SUPERIEUR	OBERERRAHMEN
3	82800002/0	1	TELAIO INF.	LOWER FRAME	CHASSIS INFERIEUR	UNTERERRAHMEN
4	25032001/1	1	ANGOLARE DX	RIGHT ANGULAR SUPPORT	SUPPORT ANGULAIRE	RECHTER HALTER
5	25032002/1	1	ANGOLARE SX	LEFT ANGULAR SUPPORT	SUPPORT ANGULAIRE	LINKER HALTER
6	82394001/0	1	MANIGLIA ANT.	FRONT HANDLE	POIGNEE ANTERIEURE	VORDERGRIF
7	82650038/0	1	RINFORZO INF.	LOWER STIFFENING	REINFORCEMENT SUPER.	OBERE VERSTAERKUNG
8	82106000/1	1	SACCO	GRASSCATCHER	SAC	SACK
9	←	1	COPERTURA SACCO (TC)	GRASSCAT. PLASTIC (TC)	SAC COUVERTURE (TC)	SACKABDECKUNG (TC)
	82110158/1		ROSSA	RED	ROUGE	ROT
	82110159/0		VERDE	GREEN)	VERT	GRÜN
	82110160/0		GIALLA	YELLOW	JAUNE	GELB
	82110161/0		BLU	BLUE	BLEU	BLAU
←	1	COPERTURA SACCO (TCP)	GRASSCAT. PLASTIC (TCP)	SAC COUVERTURE (TCP)	SACKABDECKUNG (TCP)	
	82110170/0		ROSSA	RED	ROUGE	ROT
	82110171/0		VERDE	GREEN)	VERT	GRÜN
	82110172/0		GIALLA	YELLOW	JAUNE	GELB
	82110173/0		BLU	BLUE	BLEU	BLAU
10	←	1	PIASTRINA (TC)	PLATE (TC)	PLAQUE (TC)	PLATTE (TC)
	25547016/1		ROSSA	RED	ROUGE	ROT
	25547015/0		VERDE	GREEN	VERT	GRÜN
	25547014/0		GIALLA	YELLOW	JAUNE	GELB
	25547024/0		BLU	BLUE	BLEU	BLAU
←	1	PIASTRINA (TCP)	PLATE (TCP)	PLAQUE (TCP)	PLATTE (TCP)	
	25547025/0		ROSSA	RED	ROUGE	ROT
	25547026/0		VERDE	GREEN	VERT	GRÜN
	25547027/0		GIALLA	YELLOW	JAUNE	GELB
	25547028/0		BLU	BLUE	BLEU	BLAU
11	12792099/0	4	VITE	SCREW	VIS	SCHRAUBE



TC102 • TCP102 • *TC102hy.* • *TCP102hy.* • *TC122hy.* • *TCP122hy.*

1999

011.0

2 / 2

N.	CODE	Q.TY	DESCRIZIONE	DESCRIPTION	DESCRIPTION	BESCHREIBUNG
12	12729601/0	8	VITE	SCREW	VIS	SCHRAUBE
13	12674701/0	2	VITE	SCREW	VIS	SCHRAUBE
14	12292100/0	4	DADO	NUT	ECROU	MUTTER
15	12582101/0	6	GROWER	GROWER	GROWER	GROWER
16	12521331/0	6	RONDELLA	WASHER	RONDELLE	SCHEIBE

TC102

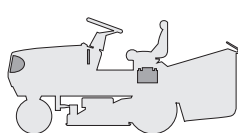
TC102 hy.

TC122 hy.

TCP102

TCP102 hy.

TCP122 hy.

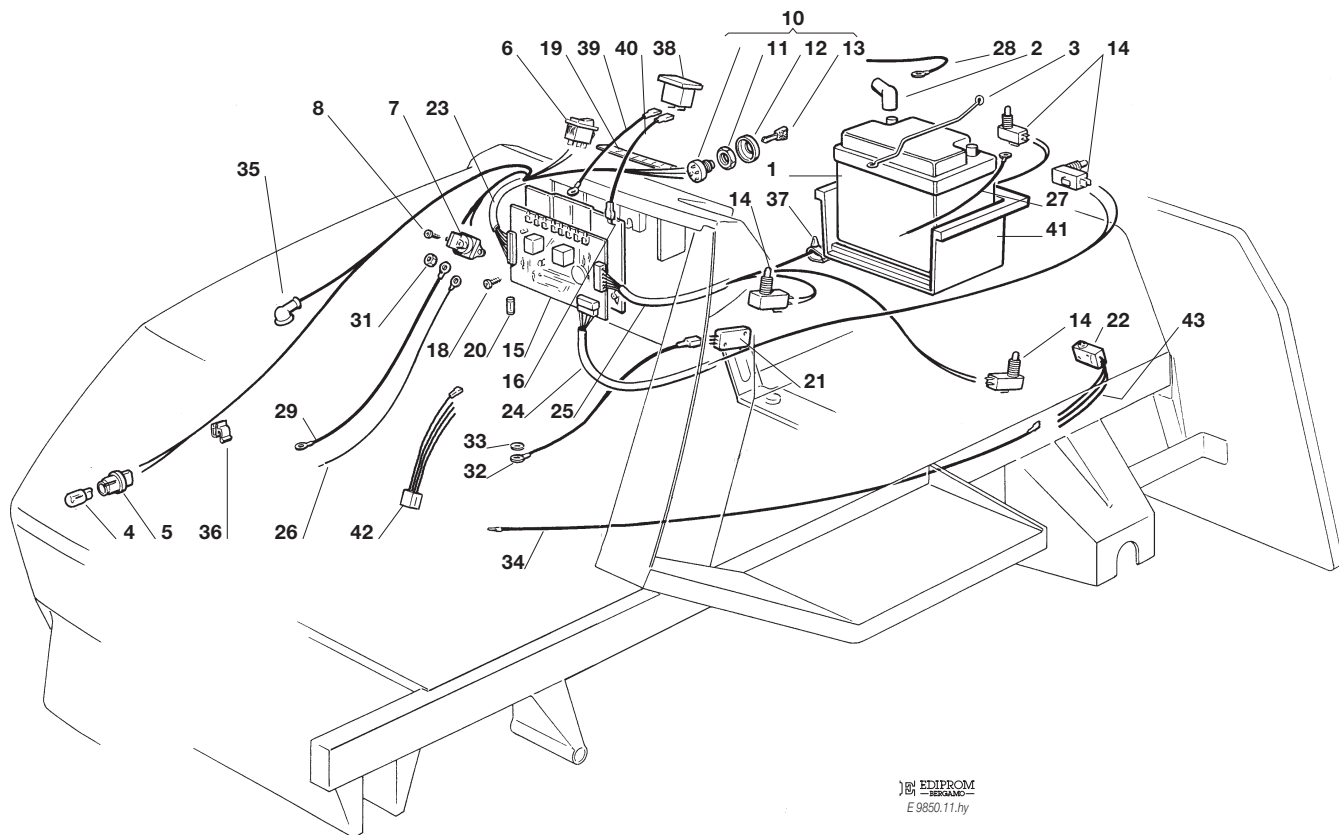


PARTI ELETTRICHE
ELECTRICAL PARTS
PARTIES ELECTRIQUES
ELETRISCHE TEILE

1999

012Y.0

1 / 2



EDIPROM
 BEKANO
 E 9850.11.hy

N.	CODE	Q.TY	DESCRIZIONE	DESCRIPTION	DESCRIPTION	BESCHREIBUNG
1	18120002/1	1	BATTERIA 12 V - 18 Ah	BATTERY 12 V - 18 Ah	BATTERIE 12 V - 18 Ah	BATTERIE 12 V - 18 Ah
2	18564862/0	1	PROTEZIONE	PROTECTION	PROTECTION	SCHUTZ
3	25430200/0	2	MOLLA	SPRING	RESSORT	FEDER
4	18459100/0	2	LAMPADA	FARILAMP FOR LIGHTS	LAMPE POUR PHARES	LAMPENFASSUN
5	33500030/0	2	PORTALAMPADE	LAMP HOLDER	DOUILLE DE LAMPE	SCHEINWERFERLAMPE
6	18450060/0	1	INTERRUTTORE	FARILAMP SWITCH	INTERRUPTEUR PHARES	LICHTEN SCHALTER
7	18736110/0	1	SOLENOIDE	SOLENOID	SOLENOIDE	SOLENOID
8	12735110/0	2	VITE	SCREW	VIS	SCHRAUBE
10	18450065/1	1	INTERRUTTORE AVVIAMENTO	STARTING SWITCH	INTERRUPTEUR DEMARRAGE	SCHALTER
11	18400861/0	1	GHIERA	SCREWED RING	EMBOUIT	NUTMUTTER
12	18565351/0	1	PROTEZIONE GHIERA	SCREWED RING PROTECTION	PROTECTION EMBOUT	NUTMUTTER SCHUTZ
13	18210016/0	1	CHIAVE AVVIAMENTO	STARTING KEY	CLEF A DEMARRAGE	SCHLÜSSEL FÜR START
14	19410603/1	4	MICRO INTERRUTTORE	MICRO	MICRO	MIKRO
15	***	1	SCHEDA ELETTRONICA	ELECTRONIC CARD	CARTE ELECTRONIQUE	ELEKTRONISCHE KARTE
16	25600007/0	1	PROTEZIONE SCHEDA (TC)	CARD PROTECTION (TC)	PROTECTION CARTE (TC)	KARTESCHUTZ (TC)
16	25600009/0	1	PROTEZIONE SCHEDA (TCP)	CARD PROTECTION (TCP)	PROTECTION CARTE (TCP)	KARTESCHUTZ (TCP)
18	12735105/0	3	VITE	SCREW	VIS	SCHRAUBE
19	25420000/1	1	MEMBRANA (6 FUNZ.)	CHECK CONTROLL (6 FUNCTIONS)	PANNEAU DE CONTROLE (6 INDICATIONS)	KONTROLLTAFEL (6 ANGABEN)
	25420001/1	1	MEMBRANA (8 FUNZ.)	CHECK CONTROLL (8 FUNCTIONS)	PANNEAU DE CONTROLE (8 INDICATIONS)	KONTROLLTAFEL (8 ANGABEN)
20	33340033/0	1	FUSIBILE 6,3 Amp. T	FUZE 6.3 Amp. T	FUSIBLE 6,3 Amp. T	SICHERUNG 6,3 Amp. T
21	19410609/0	1	INTERRUT. POS. FOLLE	NEUTRAL SWITCH	INTERRUPT. POINT MORT	LEERLAUF SCHALTER
22	19410605/1	1	MICRO SACCO PIENO MICROSWITCH	FULL GRASSCATCHER	MICRO BAC PLEIN	VOLLKORB VORRICHTUNG
23	82040046/0	1	ASS. CABLAGGIO 12,5 - 13 HP B&S 13 - 15 HP TECUMSEH	CABLES ASS.Y 12,5 - 13 HP B&S 13 - 15 HP TECUMSEH	ENS. CABLAGES 12,5 - 13 HP B&S 13 - 15 HP TECUMSEH	KABELSATZ 12,5 - 13 HP B&S 13 - 15 HP TECUMSEH
	82040035/0		16 - 18 HP B&S	16 - 18 HP B&S	16 - 18 HP B&S	16 - 18 HP B&S
	82040034/0		15,5HP B&S	15,5HP B&S	15,5HP B&S	15,5HP B&S



N.	CODE	Q.TY	DESCRIZIONE	DESCRIPTION	DESCRIPTION	BESCHREIBUNG
24	☛ 82040004/1	1	ASS. CABLAGGIO 12,5 - 13 - 15,5 HP B&S 13 - 15 HP TECUMSEH	CABLES ASS.Y 12,5 - 13 - 15,5 HP B&S 13 - 15 HP TECUMSEH	ENS. CABLAGES 12,5 - 13 - 15,5 HP B&S 13 - 15 HP TECUMSEH	KABELSATZ 12,5 - 13 - 15,5 HP B&S 13 - 15 HP TECUMSEH
	82040005/2		16 - 18 HP B&S	16 - 18 HP B&S	16 - 18 HP B&S	16 - 18 HP B&S
25	***	1	ASS. CABLAGGIO	CABLES ASS.Y	ENS. CABLAGES	KABELSATZ
26	25065003/0	1	CAVO RICARICA	CABLE	CABLES	KABEL
27	25065004/0	1	CAVO MASSA BATTERIA	CABLE	CABLES	KABEL
28	25065001/0	1	CAVO BATT. SOLENOIDE	CABLE	CABLES	KABEL
29	25065002/0	1	CAVO SOLENOIDE MOT.	CABLE	CABLES	KABEL
30	12583500/0	2	GROWER	GROWER	GROWER	GROWER
31	12360352/0	2	DADO	NUT	ECROU	MUTTER
32	25065015/0	1	CAVO MASSA	CABLE	CABLES	KABEL
33	12540260/0	1	RONDELLA	WASHER	RONDELLE	SCHEIBE
34	***	1	CAVO COLL. MICRO	CABLE	CABLES	KABEL
35	18564861/0	1	CAPPUCCIO PROTEZIONE	PROTECTION	PROTECTION	SCHUTZ
36	33320505/0	1	FERMACAVO	FAIRLED	FIXATION CABLE	KABELBEFESTIGUNG
37	33320506/0	2	FERMACAVO	FAIRLED	FIXATION CABLE	KABELBEFESTIGUNG
38	18230000/0	1	CONTAORE (TCP)	HOUR COUNTER (TCP)	COMPTE-HEURS (TCP)	BETRIEBESSTUNDENZÄHLER (TCP)
39	25065009/0	1	CAVO (TCP)	CABLE (TCP)	CABLES (TCP)	KABEL (TCP)
40	25065010/1	1	CAVO (TCP)	CABLE (TCP)	CABLES (TCP)	KABEL (TCP)
41	25785010/0	1	SUPPORTO BATTERIA	BATTERY HOLDER	SUPPORT BATTERIE	BATTERIE STÜTZE
42	82180025/0	1	INTERFACCIA	INTERFACE	INTERFACE	INTERFACE
43	25065023/0	1	CAVO	CABLE	CABLES	KABEL

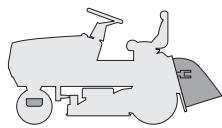
*** PER I PARTICOLARI CONTRASSEGNA TI, VERIFICARE L'ALLESTIMENTO DEL TRATTO RINO:
 FOR THE MARKED ITEMS, PLEASE CHECK TRACTOR'S VERSION:
 POUR LES PIÈCES MARQUEES, VERIFIEZ LA VERSION DE L'AUTO PORTEE:
 FÜR KENNENZEICHNETEN TEILE, BITTE PRÜFEN SIE DER AUFSITZMÄHERAUSSTATTUNG:

a) **Motore 12,5 - 13 - 15,5 HP B&S, 13 - 15 - 17 HP Tecumseh + Interruttore posizione folle (21) + Micro sacco pieno (22)**
Engine 12,5 - 13 - 15,5 HP B&S, 13 - 15 - 17 HP Tecumseh + Neutral switch (21) + Full grasscatcher micriswitch (22)
Moteur 12,5 - 13 - 15,5 HP B&S, 13 - 15 - 17 HP Tecumseh + Interrupteur point mort (21) + Micro bac plein (22)
Motor 12,5 - 13 - 15,5 HP B&S, 13 - 15 - 17 HP Tecumseh + Leerlaufstellung Schalter (21) + Vollkorb Vorrichtung (22)

15	25722406/0	1	SCHEDA ELETTRONICA 6 FUNZIONI	ELECTRONIC CARD 6 FUNCTIONS	CARTE ELECTRONIQUE 6 INDICAT	ELEKTRONISCHE KARTE 6 ANGABEN
25	82040029/1	1	ASS. CABLAGGIO	CABLES ASS.Y	ENS. CABLAGES	KABELSATZ
34	25065011/0	1	CAVO COLL. MICRO	CABLE	CABLES	KABEL

b) **Motore 16 - 18 HP B&S + Interruttore posizione folle (21) + Micro sacco pieno (22)**
Engine 16 - 18 HP B&S + Neutral switch (21) + Full grasscatcher micriswitch (22)
Moteur 16 - 18 HP B&S + Interrupteur point mort (21) + Micro bac plein (22)
Motor 16 - 18 HP B&S + Leerlaufstellung Schalter (21) + Vollkorb Vorrichtung (22)

15	25722407/0	1	SCHEDA ELETTRONICA 8 FUNZIONI	ELECTRONIC CARD 8 FUNCTIONS	CARTE ELECTRONIQUE 8 INDICAT	ELEKTRONISCHE KARTE 8 ANGABEN
25	82040028/1	1	ASS. CABLAGGIO	CABLES ASS.Y	ENS. CABLAGES	KABELSATZ
34	25065011/0	1	CAVO COLL. MICRO	CABLE	CABLES	KABEL

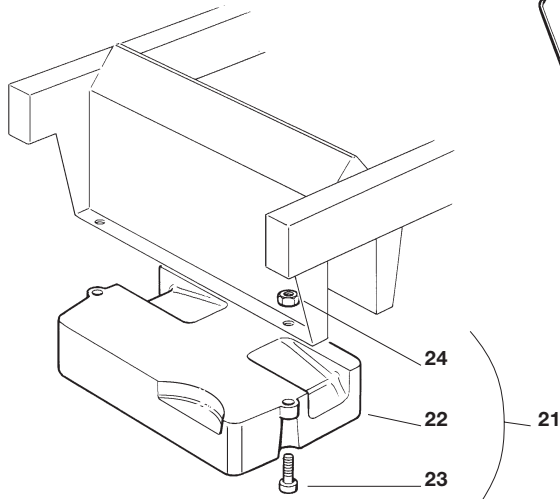
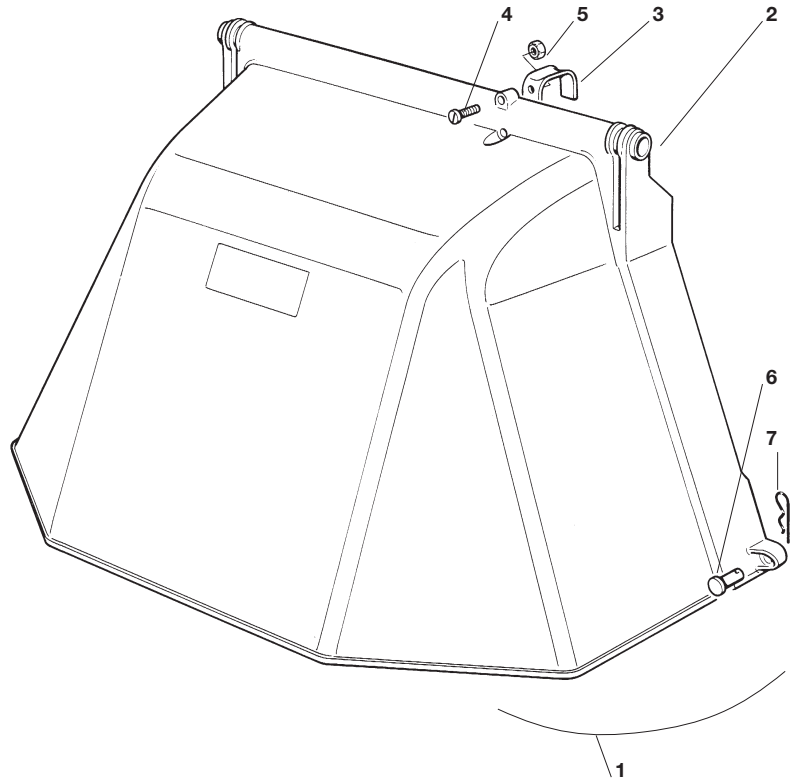
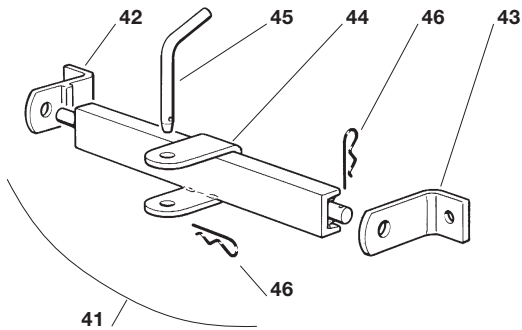
TC102**TC102 hy.****TC122 hy.****TCP102****TCP102 hy.****TCP122 hy.**

ACCESSORI A RICHIESTA
OPTIONALS ON REQUEST
ACCESSOIRES SUR DEMANDE
ZUBEHOERE NACH ANFRAGE

1999

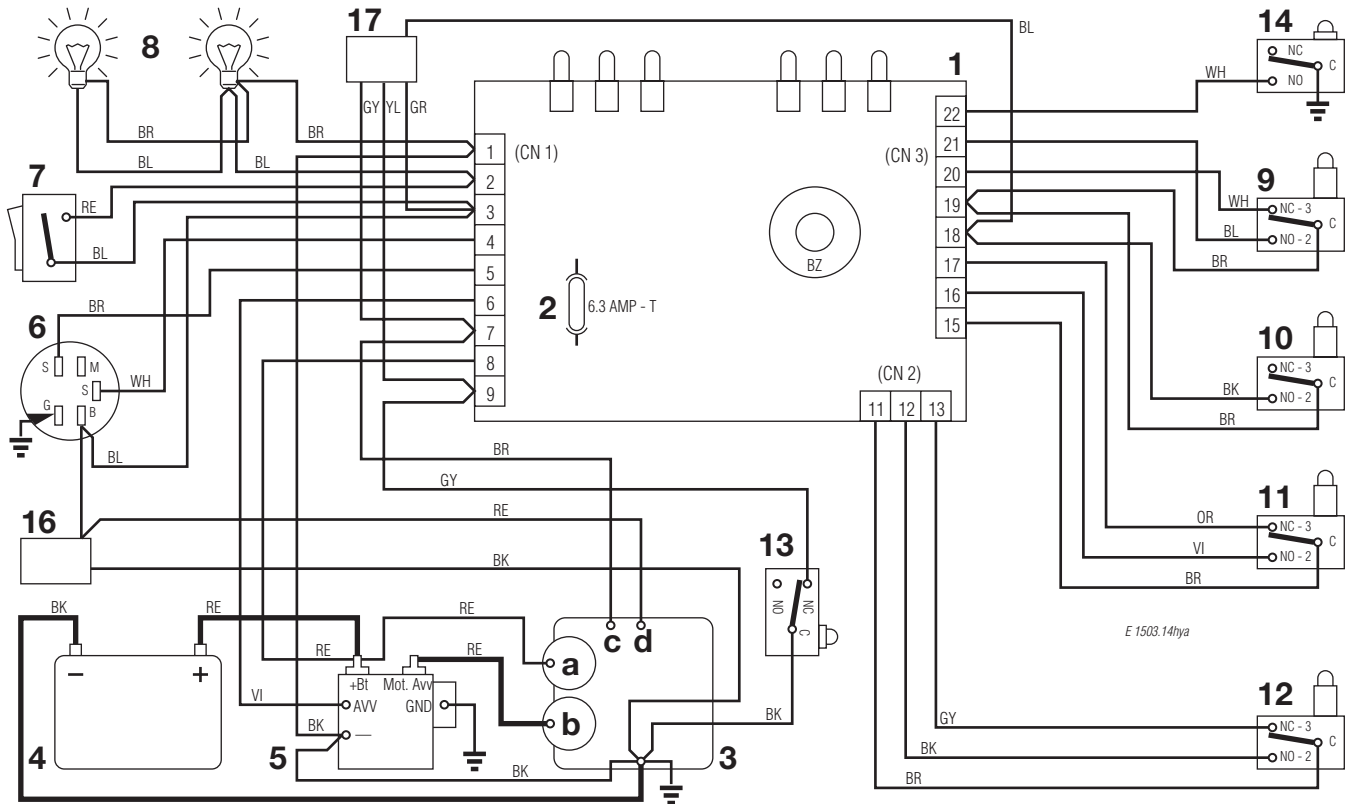
013.0

1 / 1



EDIPROM
 -SERVIZIO-
 E 1503.13

N.	CODE	Q.TY	DESCRIZIONE	DESCRIPTION	DESCRIPTION	BESCHREIBUNG
1	99900010/1	1	ASS. KIT PROTEZIONE USCITA	EJECTION-GUARD ASS.Y	KIT PROTECTION SORTIE	VORRICHTUNG FÜR AUSWURESCHUTZ
2	82400001/1	1	PROTEZIONE USCITA	EJECTION GUARD	PROTECTION SORTIE	AUSWURFSCHUTZ
3	25430216/0	1	MOLLA	SPRING	RESSORT	FEDER
4	12769100/0	2	VITE	SCREW	VIS	SCHRAUBE
5	12150000/0	1	DADO	NUT	ECROU	MUTTER
6	25510022/0	2	PERNO	PIN	PIVOT	BOLZEN
7	24487998/0	2	COPPIGLIA	COTTER PIN	GOUPILLE	SPLIT
21	99900030/4	1	ASS. KIT PESO ANT.	FRONT WEIGHT KIT	KIT POIDS ANTERIEUR	VORDERGEWICHT VORRICHTUNG
22	25519999/4	1	PESO	WEIGHT	POIDS	GEWICHT
23	12760512/0	3	VITE	SCREW	VIS	SCHRAUBE
24	12155000/0	3	DADO	NUT	ECROU	MUTTER
41	99900000/0	1	ASS. KIT TRAINO	HITCH KIT	KIT DE TRAINAGE	ZUGVORRICHTUNG
42	82735502/0	1	STAFFA SUPPORTO TRAINO DX	BRACKET RIGHT HITCH SUPPORT	ETRIER SUPPORT TRAINAGE DROITE	BUEGEL HALTER FÜR RECHTEN ZUG
43	25774213/0	1	STAFFA SUPPORTO TRAINO SX	BRACKET LEFT HITCH SUPPORT	ETRIER SUPPORT TRAINAGE GAUCHE	BUEGELHALTER FÜR LINKEN ZUG
44	82033101/0	1	BARRA	ROD	BARRE	STANGE
45	25510021/0	1	PERNO	PIN	PIVOT	BOLZEN
46	24487999/0	2	COPPIGLIA	COTTER PIN	GOUPILLE	SPLIT
-	18737950/0	1	TELO DI COPERTURA	CLOTH	BÂCHE	PLANE



E 1503.14hya

1	SCHEDA CON BUZZER	ELECTRONIC CARD WITH BUZZER	CARTE ELECTRONIQUE AVEC BUZZER	ELECTRONISCHE KARTE MIT BUZZER
2	FUSIBILE 6,3 Amp. T	FUSE 6.3 Amp. T	FUSIBLE 6,3 Amp. T	SICHERUNG 6,3 Amp. T
3	MOTORE	ENGINE	MOTEUR	MOTOR
3a	Generatore	Generator	Generateur	Generator
3b	Motorino avviamento	Starter	Demarreur	Anlasser
3c	Stop motore	Engine stop	Calage du moteur	Motor abstellung
3d	Carburatore	Carburetor	Carburateur	Vergaser
4	BATTERIA	BATTERY	BATTERIE	BATTERIE
5	RELE AVVIAMENTO	STARTER RELAY	RELAIS DE DEMARRAGE	ANLASSER RELAIS
6	INTERRUTTORE A CHIAVE	ELECTROLOCK	INTERRUPTEUR D'ALLUMAGE	SCHLÜSSELSCHALTER
7	INTERRUTTORE FARI	HEADLIGHT SWITCH	INTERRUPTEUR PHARES	LICHTSCHALTER
8	FARI	HEADLIGHT	PHARES	LICHT
9	MICROINTERRUTTORE LAME	BLADES MICRO SWITCH	MICRO INTERRUPTEUR LAMES	MESSER MIKROSCHALTER
10	MICROINTERRUTTORE FRENO	BRAKE MICRO SWITCH	MICRO INTERRUPTEUR FREIN	BREMSE MIKROSCHALTER
11	MICROINTERRUTTORE SEDILE	SEAT MICRO SWITCH	MICRO INTERRUPTEUR SIEGE	SITZMIKROSCHALTER
12	MICROINTERRUTTORE SACCO	GRASSCATCHER MICRO SWITCH	MICRO INTERRUPTEUR BAC	GRASFANGEINRICHTUNG MIKROSCHALTER
13	MICROINTERRUTTORE FOLLE	NEUTRAL MICROSWITCH	MICRO INT. POINT MORT	LEERLAUF MICROSCHALTER
14	MICROINTERRUTTORE SACCO PIENO	FULL GRASSCATCHER MICRO SWITCH	MICRO BAC PLEIN	VOLLKORB VORRICHTUNG
16	CONTAORE (TCP)	HOUR COUNTER (TCP)	COMPTE-HEURS (TCP)	BETRIEBESSTUNDENZÄHLER (TCP)
17	INTERFACCIA	INTERFACE	INTERFACE	INTERFACE

COLORI CAVI

BK	NERO
BL	BLU
BR	MARRONE
GY	GRIGIO
GR	VERDE
OR	ARANCIONE
RE	ROSSO
VI	VIOLA
YG	GIALLO/VERDE
YL	GIALLO
WH	BIANCO

CABLE COLOURS

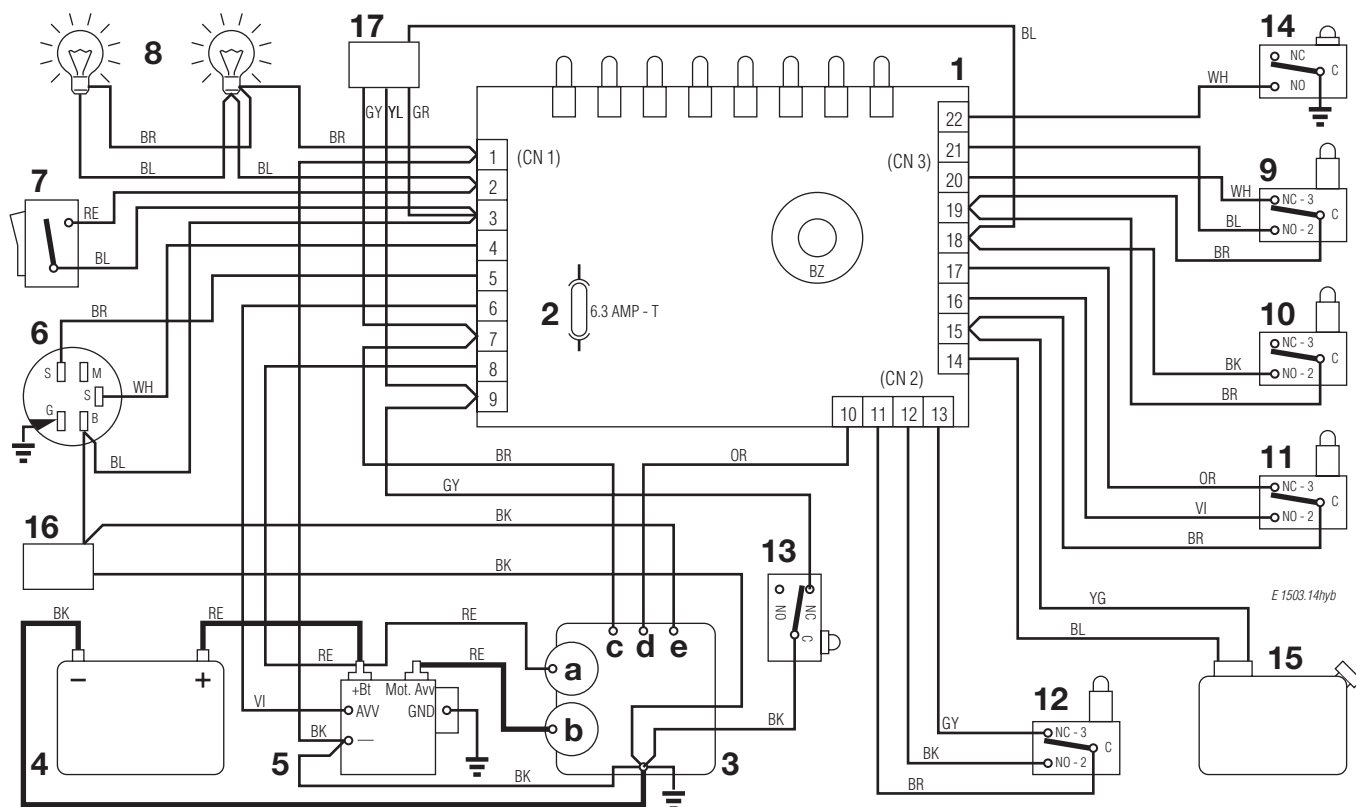
BLACK	BLACK
BLUE	BLUE
BROWN	BROWN
GREY	GREY
GREEN	GREEN
ORANGE	ORANGE
RED	RED
VIOLET	VIOLET
YELLOW/GREEN	YELLOW/GREEN
YELLOW	YELLOW
WHITE	WHITE

COULEUR CABLES

NOIR	NOIR
BLEU	BLEU
BUN	BUN
GRIS	GRIS
VERT	VERT
ORANGE	ORANGE
ROUGE	ROUGE
VIOLEY	VIOLEY
JAUNE/VERT	JAUNE/VERT
JAUNE	JAUNE
BLANC	BLANC

KABEL FARBEN

SCHWARZ	SCHWARZ
BLAU	BLAU
BRAUN	BRAUN
GRAU	GRAU
GRÜN	GRÜN
ORANGE	ORANGE
ROT	ROT
VIOLETT	VIOLETT
GELB/GRÜN	GELB/GRÜN
GELB	GELB
WEISS	WEISS



1	SCHEDA CON BUZZER	ELECTRONIC CARD WITH BUZZER	CARTE ELECTRONIQUE AVEC BUZZER	ELECTRONISCHE KARTE MIT BUZZER
2	FUSIBILE 6,3 Amp. T	FUSE 6,3 Amp. T	FUSIBLE 6,3 Amp. T	SICHERUNG 6,3 Amp. T
3	MOTORE	ENGINE	MOTEUR	MOTOR
3a	Generatore	Generator	Genérateur	Generator
3b	Motorino avviamento	Starter	Demarreur	Anlasser
3c	Stop motore	Engine stop	Calage du moteur	Motor abstellung
3d	Olio	Oil	Huile	Öl
3e	Carburatore	Carburetor	Carburateur	Vergaser
4	BATTERIA	BATTERY	BATTERIE	BATTERIE
5	RELE AVVIAMENTO	STARTER RELAY	RELAIS DE DEMARRAGE	ANLASSER RELAIS
6	INTERRUTTORE A CHIAVE	ELECTROLOCK	INTERRUPTEUR D'ALLUMAGE	SCHLÜSSELSCHALTER
7	INTERRUTTORE FARI	HEADLIGHT SWITCH	INTERRUPTEUR PHARES	LICHTSCHALTER
8	FARI	HEADLIGHT	PHARES	LICHT
9	MICROINTERRUTTORE LAME	BLADES MICRO SWITCH	MICRO INTERRUPTEUR LAMES	MESSER MIKROSCHALTER
10	MICROINTERRUTTORE FRENO	BRAKE MICRO SWITCH	MICRO INTERRUPTEUR FREIN	BREMSE MIKROSCHALTER
11	MICROINTERRUTTORE SEDILE	SEAT MICRO SWITCH	MICRO INTERRUPTEUR SIEGE	SITZMIKROSCHALTER
12	MICROINTERRUTTORE SACCO	GRASSCATCHER MICRO SWITCH	MICRO INTERRUPTEUR BAC	GRASFANGEINRICHTUNG MIKROSCHALTER
13	MICROINTERRUTTORE FOLLE	NEUTRAL MICROSWITCH	MICRO INT. POINT MORT	LEERLAUF MICROSWITCHER
14	MICROINTERRUTTORE SACCO PIENO	FULL GRASSCATCHER MICRO SWITCH	MICRO BAC PLEIN	VOLLKORB VORRICHTUNG
15	SERBATOIO	TANK	RESERVIOR	TANK
16	CONTAORE (TCP)	HOUR COUNTER (TCP)	COMPTE-HEURS (TCP)	BETRIEBESSTUNDENZÄHLER (TCP)
17	INTERFACCIA	INTERFACE	INTERFACE	INTERFACE

COLORI CAVI

BK	NERO
BL	BLU
BR	MARRONE
GY	GRIGIO
GR	VERDE
OR	ARANCIONE
RE	ROSSO
VI	VIOLA
YG	GIALLO/VERDE
YL	GIALLO
WH	BIANCO

CABLE COLOURS

BLACK	BLACK
BLUE	BLUE
BROWN	BROWN
GREY	GREY
GREEN	GREEN
ORANGE	ORANGE
RED	RED
VIOLET	VIOLET
YELLOW/GREEN	YELLOW/GREEN
YELLOW	YELLOW
WHITE	WHITE

COULEUR CABLES

NOIR	NOIR
BLEU	BLEU
BUN	BUN
GRIS	GRIS
VERT	VERT
ORANGE	ORANGE
ROUGE	ROUGE
VIOLEY	VIOLEY
JAUNE/VERT	JAUNE/VERT
JAUNE	JAUNE
BLANC	BLANC

KABEL FARBEN

SCHWARZ	SCHWARZ
BLAU	BLAU
BRAUN	BRAUN
GRAU	GRAU
GRÜN	GRÜN
ORANGE	ORANGE
ROT	ROT
VIOLETT	VIOLETT
GELB/GRÜN	GELB/GRÜN
GELB	GELB
WEISS	WEISS