

1994

REPAIR PARTS MANUAL

40" - 12.5 H.P. LAWN TRACTOR

MODEL D4013-060

TWO YEAR LIMITED WARRANTY

For two (2) years from date of purchase by the first consumer for residential use (thirty (30) days commercial use), NOMA Outdoor Products Incorporated warrants that it will replace free of charge, including labor, any original part of any NOMA Outdoor Products Incorporated product found to be defective by any authorized Service Dealer or the factory, except the battery which is warranted for ninety (90) days from date of purchase.

This warranty does not cover engine, transmission, transaxle or differential (these items are covered by their manufacturer's own warranty). This warranty does not cover parts that have failed due to normal wear or parts that have failed subject to misuse or abuse. Transportation of the unit or part to and from an authorized Service Dealer or factory is the responsibility of the owner.

A step by step explanation as to what procedure should be followed for this warranty is:

1. If a part becomes defective, contact the store where the unit was purchased for the name and address of the authorized Service Dealer nearest to you.
2. If you cannot locate an authorized Service Dealer, write Service Department of NOMA Outdoor Products Incorporated for the name and address of the authorized Service Dealer in your area or call the Service Department at 1-901-422-1690.
3. Return the defective product, along with proof of purchase to such authorized Service Dealer for replacement of any defective part where covered by this warranty.

There is no other express warranty. Implied warranties, including those of merchantability and fitness for a particular purpose are limited to two (2) years from date of purchase. Liability for incidental or consequential damages are excluded.

Some states do not allow limitations on how long an implied warranty lasts, so the above limitation may not apply to you. Some states do not allow the exclusion of incidental or consequential damages, so the above exclusion may not apply to you. This warranty gives you specific legal rights, and you may have other rights which vary from state to state.

NOMA Outdoor Products Incorporated **Caller 8000** **Jackson, TN 38308-8000**

UNIT PARTS AND SERVICE

Fill in and mail the registration card packed with the unit. For service other than covered in this manual, contact an authorized service dealer. A nationwide parts and service organization has been established to provide locally available parts and service. A list of authorized parts distributors has been included in this manual. When ordering repair parts, always give the following information: 1. The Part Name; 2. The Part Number; 3. The Quantity desired; 4. The Full (eight digit) Model Number of the unit. The model number will be found on a plate attached to the unit.



Look for this symbol. It means - ATTENTION! BECOME ALERT! A HAZARD TO OPERATOR, BYSTANDER, PROPERTY OR EQUIPMENT MAY EXIST.

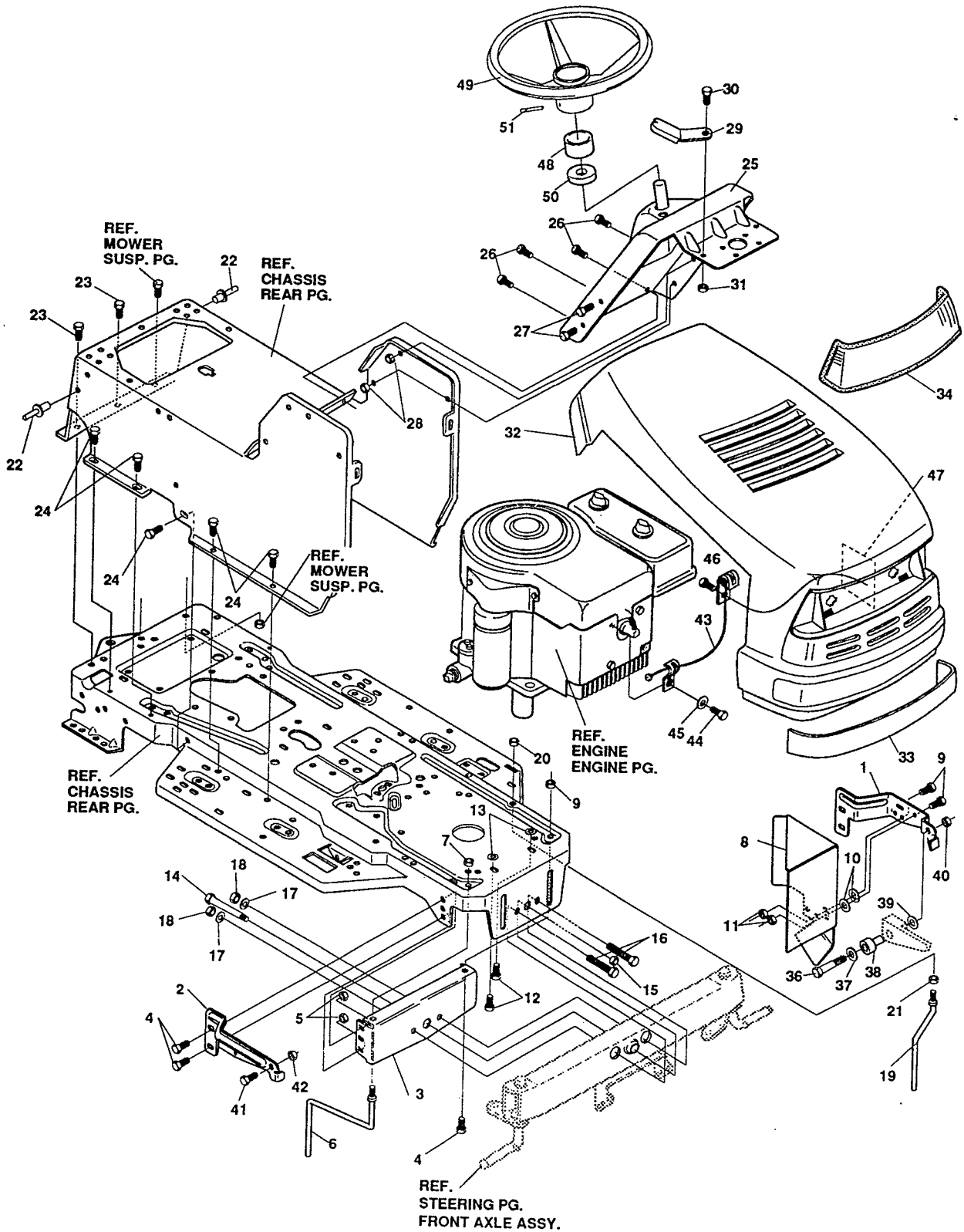
NOMA Outdoor Products Incorporated
Caller 8000
Jackson, TN 38308-8000

Part No. 329907A

05/93

40" LAWN TRACTOR MODEL D4013-060

CHASSIS & HOOD ASSEMBLY (FRONT)



NOTE: ALWAYS USE ORIGINAL EQUIPMENT PARTS. Use of service/replacement parts other than original equipment parts may void your warranty.

ALL UNNUMBERED ITEMS ARE INTERCHANGEABLE WITH OPPOSITE SIDE

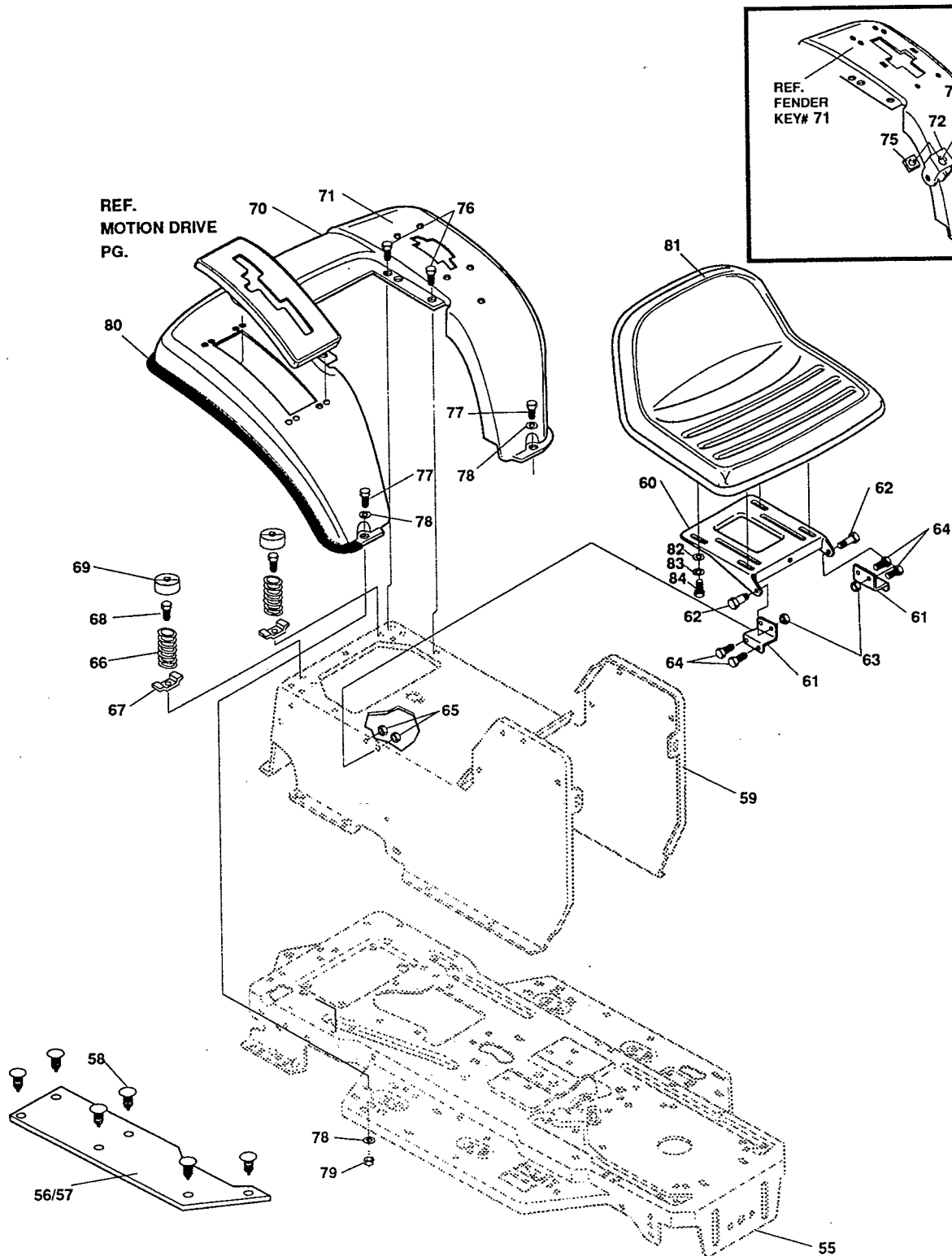
325862B

40" LAWN TRACTOR MODEL D4013-060

KEY#	PART#	DESCRIPTION	QTY.
1	308765-853	BRACKET,GRILLE LH H-14	1
2	302856-853	BRACKET, GRILLE RH	1
3	313541-853	BRACKET, FRONT AXLE	1
4	56030	SCREW, 5/16-18X.75WDFLLK	5
5	55273	NUT, 5/16-18 HXWDFLLK	5
6	300440	GUIDE, BELT, RIDER	1
7	1498	NUT, 5/16-18 REGHEXCTRLK	1
8	308859-853	SHIELD,HEAT 11&12LF	1
9	180016	SCREW, 1/4-20X .50 HHC	2
10	311245	WASHER,FLAT.250X .75X INSULATE	2
11	51335	NUT, 1/4-20 WDFLLK	2
12	56030	SCREW, 5/16-18X.75WDFLLK	2
13	309436	PUSHNUT, 5/16 BOLT RETAINER	2
14	308207	BOLT, .625X2.180 HHSH 1/2-13	1
15	309008	NUT, 1/2-13 REGHCTRLK	1
16	122207	SCREW, 3/8-16X3.00 HHC	2
17	2483	WASHER, .39IDX1.25DX.07 BELLVIL	2
18	1499	NUT, 3/8-16 REGHCTRLK	2
19	300635	GUIDE,SHORT BELT RIDER 15"WH	1
20	124824	NUT, 5/16-18 HEXJAM	1
21	271190	NUT, 3/8-16 HEXKEPS	1
22	46763	RIVET, POP .187DIA X .450LG	3
23	35497	SCREW, 5/16-18X .50 WAHHTAP	2
24	995346	SCREW, 1/4-20X .50 WAHHTAP	70
25	309447-860	DASHBOARD,NF SUSP DYNA	1
26	995346	SCREW, 1/4-20X .50 WAHHTAP	4
27	995338	SCREW, 1/4-20X .63 HHWATAP	4
28	50352	NUT, 1/4-20 WDFLLK TOPLOCK	4
29	313021-853	GUIDE,HOOD H13,H14,H15	2
30	180018	SCREW, 1/4-20X .62 HHC	2
31	51335	NUT, 1/4-20 WDFLLK	2
32	304026	HOOD,NOMA MEDIUM H-14	1
33	322700	DECAL,BUMPER	1
34	302670	LENS,HEADLAMP DYNA HOODS	1
36	180034	SCREW, 1/4-20X1.50 HHC	1
37	120392	WASHER, FLAT .281X .63X.065	1
38	309532	BUSHING,FLANGED,NYLON,INSULATE	1
39	311245	WASHER,FLAT.250X .75X INSULATE	1
40	1502	NUT, 1/4-20 REGHEXCTRLK	1
41	56676	BOLT, .375X .580 HHSH 5/16-18	1
42	1498	NUT, 5/16-18 REGHEXCTRLK	1
43	310749	LANYARD,HOOD 9.16 LG H14	1
44	180018	SCREW, 1/4-20X .62 HHC	1
45	120380	WASHER, REGSPTLK.263X.49X.07	1
46	138077	PIN,CLEVIS .672LGX.248DIA	1
47	301452	FOIL, HEAT REFLECTOR	1
48	311465	COVER STEERING SHAFT	1
49	306654	STEERING WHEEL GENRIC	1
50	301413	SPACER,FOAM	1
51	456378	ROLL PIN	1
52	329907	PARTS MANUAL	1
53	329906	OPERATOR'S MANUAL	1

40" LAWN TRACTOR MODEL D4013-060

CHASSIS & HOOD ASSEMBLY (REAR)



NOTE: ALWAYS USE ORIGINAL EQUIPMENT PARTS. Use of service/replacement parts other than original equipment parts may void your warranty.

ALL UNNUMBERED ITEMS ARE INTERCHANGEABLE WITH OPPOSITE SIDE

325855A

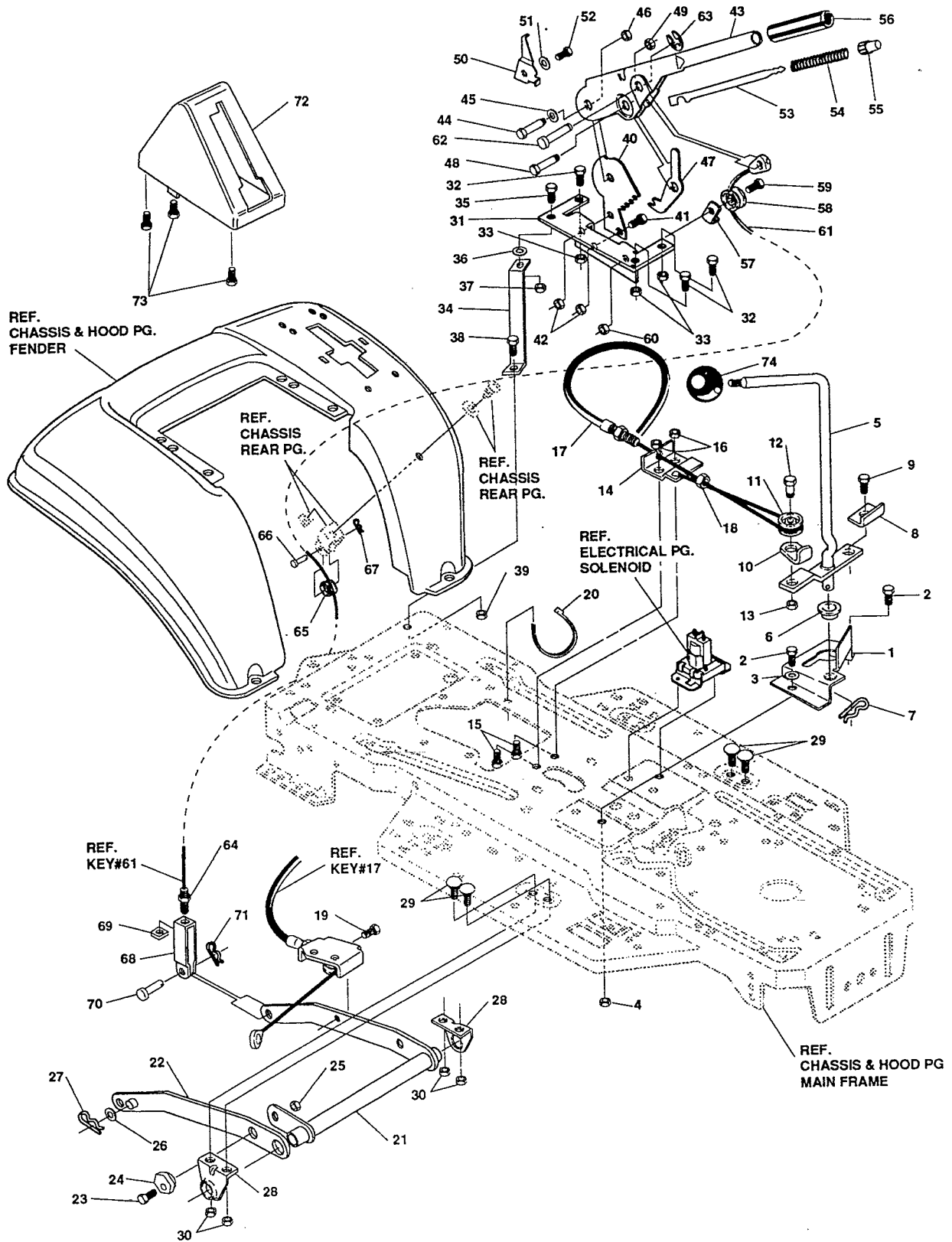
40" LAWN TRACTOR MODEL D4013-060

KEY#	PART#	DESCRIPTION	QTY.
55	326577-860	FRAME,LF MAIN 930/4360 DRILLED	1
56	310005	FOOTPAD L/H	1
57	310006	FOOTPAD R/H	1
58	309235	FASTENER RATCHET	12
59	308665-860	CONSOLE GENERIC SOF	1
60	58367-853	PLATE, SEAT	1
61	310660-853	BRACKET, F-5 SEAT SUPPORT	2
62	20507	BOLT, .437X .156 HHSH 5/16-18	2
63	1498	NUT, 5/16-18 REGHEXCTRLK	2
64	48901	SCREW, 5/16-18X .63 HHC	4
65	1498	NUT, 5/16-18 REGHEXCTRLK	4
66	57153	SPRING,SEAT 2.63LG,1.49OD	2
67	1341	CLAMP,SPRING 1.17"ID	2
68	44811	SCREW, 1/4-20X .75 HWATAP	2
69	56907	COVER,SEAT SPRING 1.5IDX1.0LG	2
70	^	FENDER ASM F5 SUSP	1
71	308653-860	FENDER F5 SUSP	1
72	9239	CLEVIS	1
73	439455	SCREW, 5/16-18X.56 PHPNMA	1
74	301551	WASHER, .344IDX1.50X.09	1
75	120373	NUT, 5/16-18 SQ	1
76	995346	SCREW, 1/4-20X .50 WAHTAP	4
77	122017	SCREW, 5/16-18X1.00 HHC	2
78	446363	WASHER, FLAT .375X .88X.082	4
79	1498	NUT, 5/16-18 REGHEXCTRLK	2
80	55023	TRIM,STRIP,BLACK	77.5"
81	304316	SEAT,GENERIC	1
82	120393	WASHER,FLAT .344X.69X.065	4
83	120638	WASHER,HVSPTLK .328X.60X.04	4
84	122007	SCREW 5/16-18X.75 HHC	4

^ ORDER INDIVIDUAL PARTS.

40" LAWN TRACTOR MODEL D4013-060

MOWER SUSPENSION



NOTE: ALWAYS USE ORIGINAL EQUIPMENT PARTS. Use of service/replacement parts other than original equipment parts may void your warranty.

ALL UNNUMBERED ITEMS ARE INTERCHANGEABLE WITH OPPOSITE SIDE

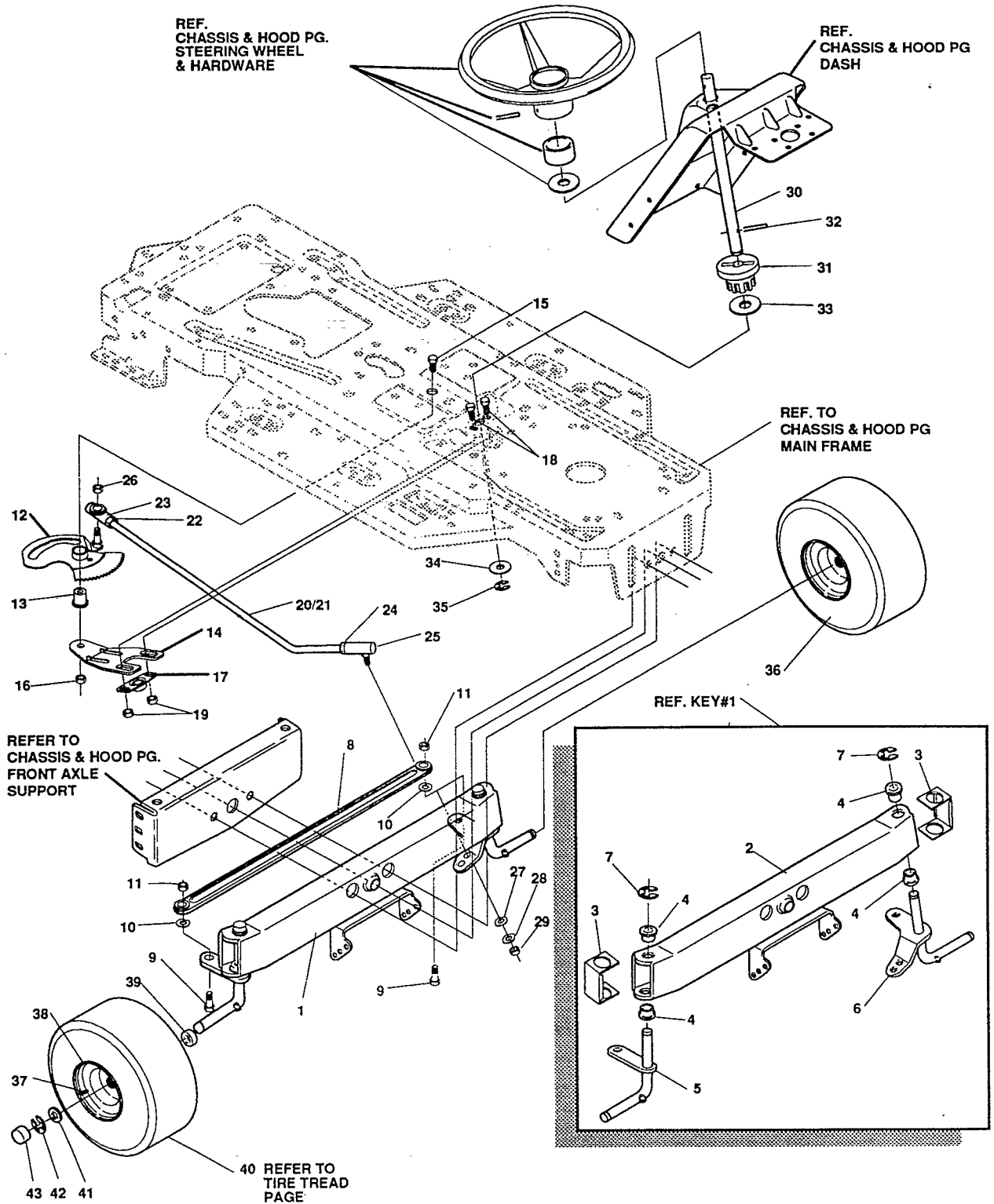
325815C

40" LAWN TRACTOR MODEL D4013-060

KEY#	PART#	DESCRIPTION	QTY.
1	320075-853	BRACKET,CLUT-ENGAGELEVER	1
2	180079	SCREW, 5/16-18X1.00 HHC	2
3	120393	WASHER, FLAT .344X .69X.065	2
4	1498	NUT, 5/16-18 REGHEXCTRLK	2
5	304791	ASSY,CLUTCH LEVER	1
6	50148	BEARING,FL. .503IDX.628OD	1
7	8260	PIN, HAIR .091 DIA X1.66LG	1
8	318341	BRACKET,SWITCH ENGAGE	1
9	35498	SCREW, 5/16-18X .75 WAHHTAP	1
10	1288	BRKT,CABLE RETAINER	1
11	48306	PULLEY, .906X.305 PM	1
12	58336	BOLT, .375X .375 HSH 1/4-20	1
13	1502	NUT, 1/4-20 REGHEXCTRLK	1
14	300698-853	BRKT, FRAME CABLE	1
15	180020	SCREW, 1/4-20X .75 HHC	2
16	1502	NUT, 1/4-20 REGHEXCTRLK	2
17	301503	ASSY,CABLE, BLADE ENGAGE	1
18	120613	NUT, 1/4-28 HJAM	1
19	35498	SCREW, 5/16-18X .75 WAHHTAP	1
20	57444	TIE, CABLE BLACK NYLON	1
21	300158-853	ASSY,REAR LIFT	1
22	300169-853	ASSY.LINK,RIGHT SIDE	1
23	180079	SCREW, 5/16-18X1.00 HHC	1
24	58247	ADJUSTING NUT	1
25	1498	NUT, 5/16-18 REGHEXCTRLK	1
26	417098	WASHER, FLAT .531X1.06X.095	2
27	8260	PIN, HAIR .091 DIA X1.66LG	2
28	58248-853	BRKT,REAR,HANG,SUSP.	2
29	126211	BOLT, 5/16-18X .63 CARR	4
30	1498	NUT, 5/16-18 REGHEXCTRLK	4
31	313926	BRACKET,HGT/ADJUST SUPPORT	1
32	180077	SCREW, 5/16-18X .75 HHC	3
33	1498	NUT, 5/16-18 REGHEXCTRLK	3
34	300336-860	BRACE, FENDER F-5 SUS	1
35	180079	SCREW, 5/16-18X1.00 HHC	1
36	45602	WASHER, FLAT .333X .87X.119	1
37	1498	NUT, 5/16-18 REGHEXCTRLK	1
38	180079	SCREW, 5/16-18X1.00 HHC	1
39	1498	NUT, 5/16-18 REGHEXCTRLK	1
40	301238	QUADRANT,HEIGHT ADJUST	1
41	180077	SCREW, 5/16-18X .75 HHC	2
42	1498	NUT, 5/16-18 REGHEXCTRLK	2
43	322292-853	HANDLE,LIFT SHORT BLK	1
44	300171	BOLT, .500X .270 HSH 5/16-18	1
45	996418	WASHER, FLAT .506X .75X.024	1
46	44108	NUT, 5/16-18 HWDFLCTRLK	1
47	301239	PAWL, HEIGHT ADJUST	1
48	300171	BOLT, .500X .270 HSH 5/16-18	1
49	44108	NUT, 5/16-18 HWDFLCTRLK	1
50	9435	POINTER Z-PL	1
51	138479	WASHER, EXLK .195X.41X.03	1
52	35287	SCREW, #8-32X .38 HHWAT	1
53	303027	ROD,ACTUATOR-SHORT	1
54	58326	SPRING, HEIGHT ADJUST	1
55	58325	KNOB, HGT ADJ PUSH BUTTON	1
56	58329	GRIP .750 OD W/ HOLE	1
57	9149	BRKT, CABLE RETAIN	1
58	48306	PULLEY, .906X.305 NYLON	1
59	58336	BOLT, .375X .375 HSH 1/4-20	1
60	1502	NUT, 1/4-20 REGHEXCTRLK	1
61	314177	CABLE, LIFT 23.30 F-5 20X8-8	1
62	300310	PIN,CLEVIS .310DIA+.475LG	1
63	300311	RING, RET E .31X.24	1
64	120375	NUT, 1/4-20 REGHEX	1
65	48306	PULLEY, .906X.305 NYLON	1
66	300317	PIN, CLEVIS .38 DIA X1.00 LG	1
67	8260	PIN, HAIR .091 DIA X1.66LG	1
68	9405	CLEVIS, LIFT CABLE	1
69	120372	NUT, 1/4-20 REGSQ	1
70	39522	PIN CLEVIS .312 X .812	1
71	121222	PIN, COTTER .090/.086X.75LG	1
72	300335	LIFT COVER-39" F5	1
73	300340	SCREW, #10 X .75 HHPLAST	3
74	55514	KNOB,ROUND 1.50 BLACK	1

40" LAWN TRACTOR MODEL D4013-060

STEERING ASSEMBLY (FRONT)



NOTE: ALWAYS USE ORIGINAL EQUIPMENT PARTS. Use of service/replacement parts other than original equipment parts may void your warranty.

ALL UNNUMBERED ITEMS ARE INTERCHANGEABLE WITH OPPOSITE SIDE

326803B

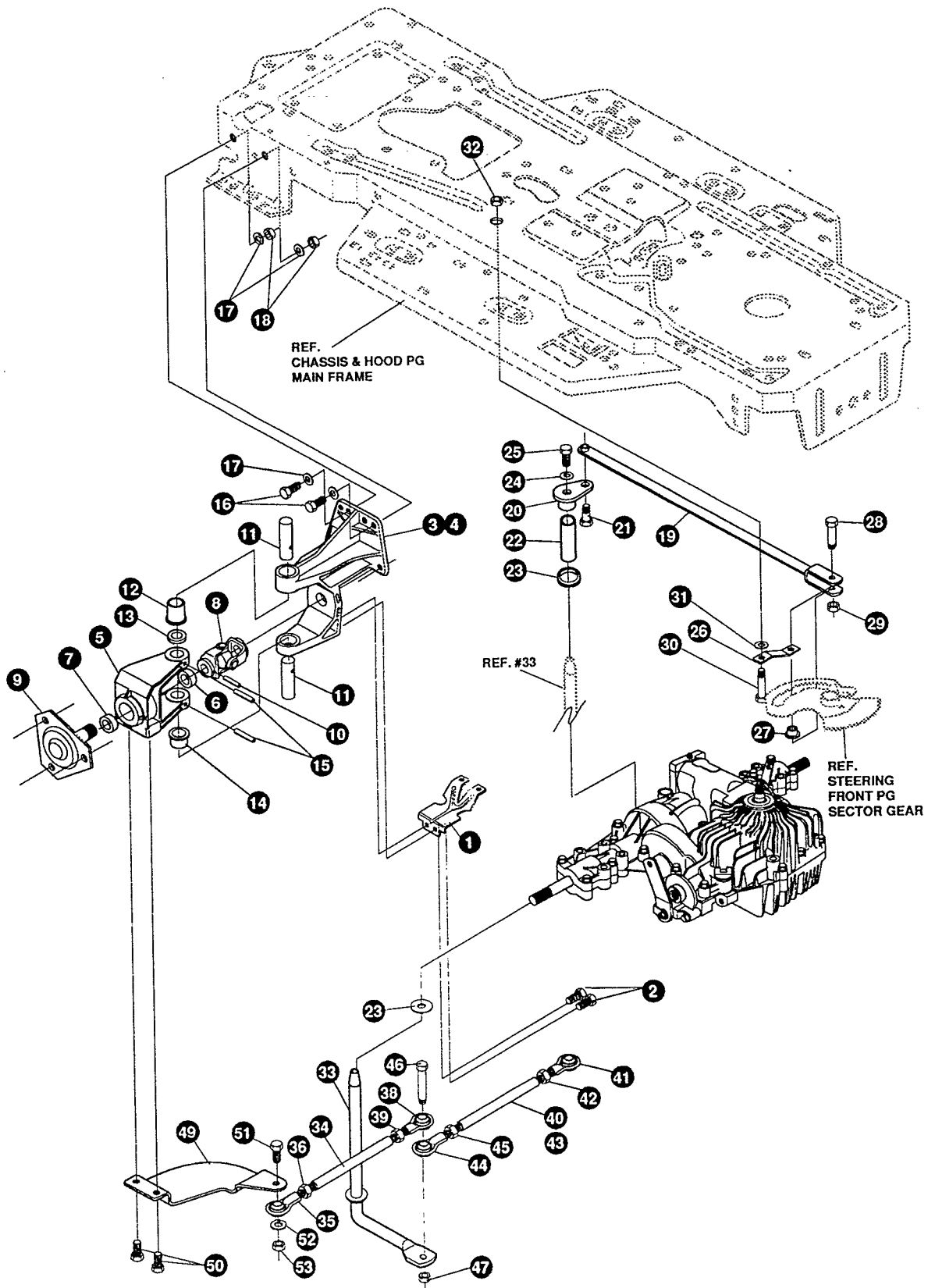
40" LAWN TRACTOR MODEL D4013-060

KEY#	PART#	DESCRIPTION	QTY.
1	^	AXLE,FRONT ASSY SUS 4WS LF	1
2	300272-853	FRONT AXLE SUS	1
3	53373-853	AXLE COVER	2
4	52407	SPINDLE BEARING	4
5	302926	ASSY,SPINDLE RH LONG	1
6	315886	ASSY,SPINDLE,LH LONG	1
7	36625	RING, RETEX .57X.05TRU5133-75	2
8	304590	TIE ROD ASSY 19.81LG W-SECTION	1
9	180128	SCREW, 3/8-16X1.75 HHC	2
10	120382	WASHER, REGSPTLK.393X.68X.10	2
11	120377	NUT, 3/8-24 REGHEX	2
12	326889	ASSY. SECTOR GEAR 4WS HYDRO PEERLESS	1
13	313629	BUSHING,SECTOR GEAR 4WS LF	1
14	313671-853	SUPPORT,SECTOR GEAR 4WS LF	1
15	315196	SCREW, 1/2-20X3.00 HHC	1
16	274654	NUT, 1/2-20 REGHXCTRLK	1
17	302498	BEARING FLANGE 0.5 BORE	1
18	323731	SCREW, 5/16-24X.75SQ. CONE SEMS	2
19	71100	NUT, 5/16-24 HXWDFLLK	2
20	328583	ASM. DRAGLINK 4WS LF	1
21	321449	DRAG LINK .625 DIA LF 4WS	1
22	124925	NUT, 3/8-24 REGHEXJAM	1
23	304260	BALL JOINT 3/8 THD SHORT STUD	1
24	272123	NUT, 7/16-20 HXJAM	1
25	302865	JOINT, BALL ASSY 7/16-20	1
26	46692	NUT, 3/8-24 WDFLHLK WHIZ	1
27	120396	WASHER, FLAT .531X1.06X.095	2
28	120383	WASHER, REGSPTLK.459X.78X.12	1
29	271506	NUT, 7/16-20 REGHX	1
30	313699	SHAFT, STEERING 4WS LF	1
31	302314	PINION STEERING	1
32	302524	PIN DOWEL STR ERO LT	1
33	315194	WASHER,FLAT 1.38 X .51X.043	1
34	2968	WASHER, FLAT .504X.75X.059	1
35	20864	RING, RET E .39X.04TRU5133-50	1
36	^	TIRE & RIM, PU 15X6.0X6 GENERIC	2
37	24167	VALVE STEM	1
38	321503	WHEEL W/BRG.W/ZIRK	1
39	314416	BEARING	1
40		REFER TO TIRE TREAD PAGE	
41	642	WASHER, FLAT .755X1.31X.075	4
42	36625	RING, RETEX .57X.05TRU5133-75	2
43	40394	CAP, HUB	2

^ ORDER INDIVIDUAL PARTS.

40" LAWN TRACTOR MODEL D4013-060

STEERING ASSEMBLY (REAR)



NOTE: ALWAYS USE ORIGINAL EQUIPMENT PARTS.
Use of service/replacement parts other than original equipment parts may void your warranty.

**ALL UNNUMBERED
ITEMS ARE INTERCHANGEABLE
WITH OPPOSITE SIDE**

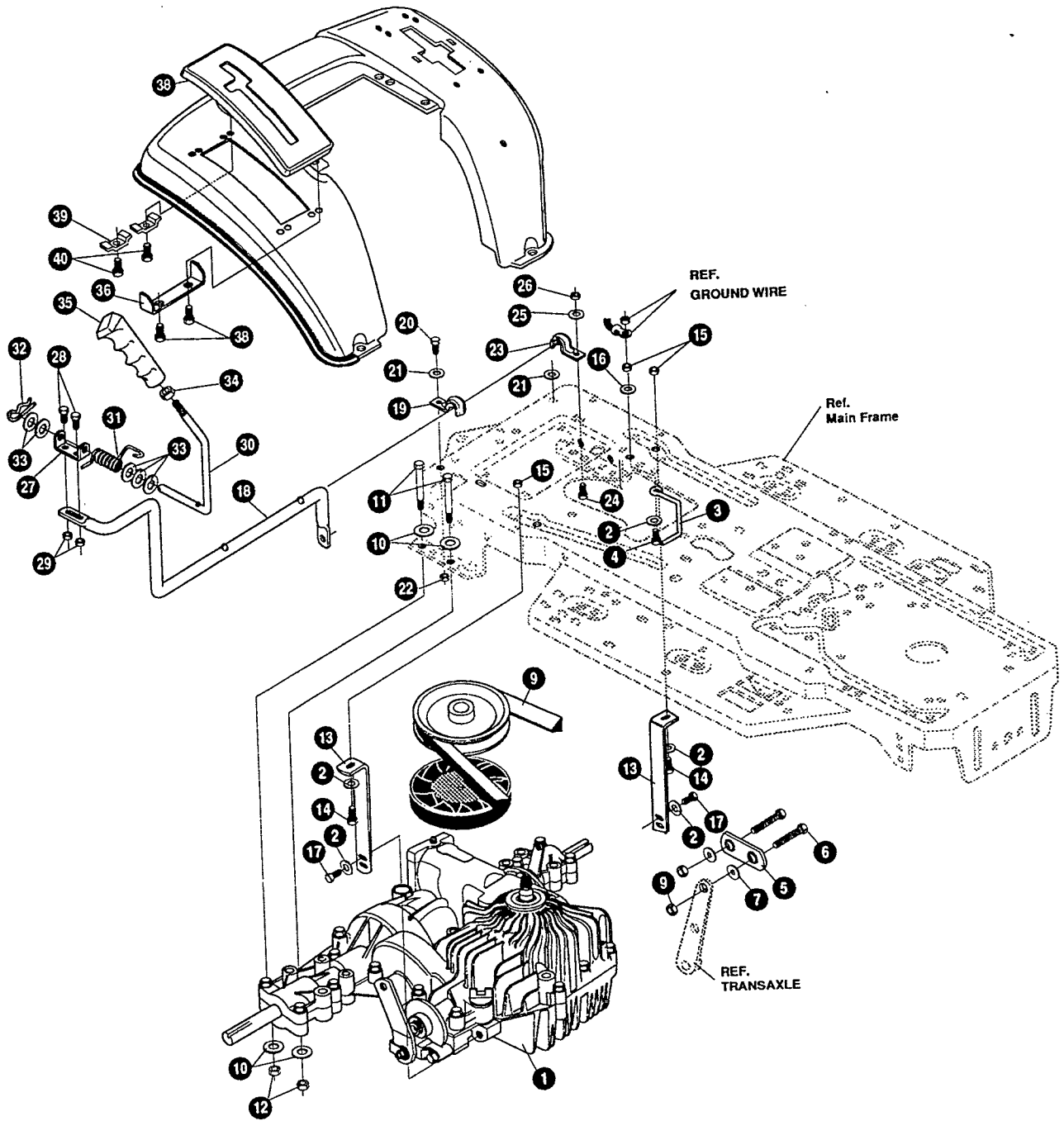
326764A

40" LAWN TRACTOR MODEL D4013-060

KEY#	PART#	DESCRIPTION	QTY.
1.	303222-853	MP BRKT X-AXLE MTG 4WS HYDRO	2
2.	50634	SCREW, 5/16-18X .88 WAHHTAP	4
3.	324359	SF U-JOINT, 4WS HEAVY DUTY	1
4.	314267	BRACKET, STEERING PIVOT DRILLED	2
5.	315267	BRACKET, STR PIVOT 6204 BEARING	2
6.	12325	BRNG, BALL .750IDX1.575ODX.472	2
7.	315268	BRNG, BALL .8750IDX1.85ODX.55	2
8.	320531	U-JOINT ASSEMBLY W/ZERK (LONG)	2
9.	315264-830	WF HUB ASSEMBLY HEAVY	2
10.	36311	PIN, GROOVED .250 DIA X 1.50LG	2
11.	12289	PIN, STEERING HINGE	4
12.	324578	BRNG, FLSH . IDX . ODX	2
13.	21682	WASHER, FLAT .765X1.25X.042 PL	2
14.	324578	BRNG, FLSH . IDX . ODX	2
15.	456722	PIN, SPRING.250DIA X 1.50LG HVPL	4
16.	122017	SCREW, 5/16-18X1.00 HHC GR2	6
17.	120393	WASHER, FLAT .344X .69X.065	14
18.	1498	NUT, 5/16-18 REGHEXCTRLK	8
19.	328187	WF BAR, DRAGLINK LF4WS(HYDRO)	1
20.	308719	PIVOT, STEERING	1
21.	322401	BOLT, .562X .340 HSSH 3/8-24	1
22.	325935	SPACER, STEERING SHAFT HYDRO	1
23.	25177	WASHER, FLAT .765X1.19X.048	2
24.	45602	WASHER, FLAT .333X .87X.119	1
25.	421051	SCREW, 5/16-24X1.00 HHC GR8 P	1
26.	302594	MF FOLLOWER, ROLLER	1
27.	304116	CAM YOKE ROLLER	1
28.	304122	BOLT, SHOULDER CAM ROLLER	1
29.	274654	NUT, 1/2-20 REGHXCTRLK GRB	1
30.	324638	BOLT, SHOULDER CAM FOLLOWER	1
31.	996307	WASHER, FLAT .391X1.00X.209	1
32.	412349	NUT, 3/8-24 HXCTRLK	1
33.	325936	SHAFT, STEERING PIVOT (ZN)	1
34.	323634	TIE ROD, ASSYRH & LF HYDR	1
35.	308384	BALL JOINT LH 3/8-24	1
36.	124925	NUT, 3/8-24 REGHEXJAM	1
37.	308447	ROD, TIE 1/2"D X 8.12LG	1
38.	304260	BALL JOINT, RH 3/8-24	1
39.	308399	NUT, 3/8-24 LH THD REGHJAM	1
40.	323635	TIE ROD, ASSYLH EURO & LFHYDR	1
41.	308384	BALL JOINT LH 3/8-24	1
42.	124925	NUT, 3/8-24 REGHEXJAM	1
43.	308446	ROD, TIE 1/2"D X 9.75 LG ZINC	1
44.	304260	BALL JOINT, RH 3/8-24	1
45.	308399	NUT, 3/8-24 LH THD REGHJAM	1
46.	181646	SCREW, 3/8-24X1.75 HHC GR5	1
47.	412349	NUT, 3/8-24 HXCTRLK	1
48.	304120-853	MP ARM REAR WHL STR (FER) R.H	1
49.	304121-853	MP ARM, REAR WHEEL STEER L.H.	1
50.	47792	SCREW, 3/8-16X1.00 WAHHTAP BLK	4
51.	181639	SCREW, 3/8-24X1.25 HHC GR5	2
52.	120382	WASHER, REGSPTLK.393X.68X.10	2
53.	412349	NUT, 3/8-24 HXCTRLK	2

40" LAWN TRACTOR MODEL D4013-060

MOTION DRIVE ASSEMBLY



NOTE: ALWAYS USE ORIGINAL EQUIPMENT PARTS.
Use of service/replacement parts other than original equipment parts may void your warranty.

**ALL UNNUMBERED
ITEMS ARE INTERCHANGEABLE
WITH OPPOSITE SIDE**

326763B

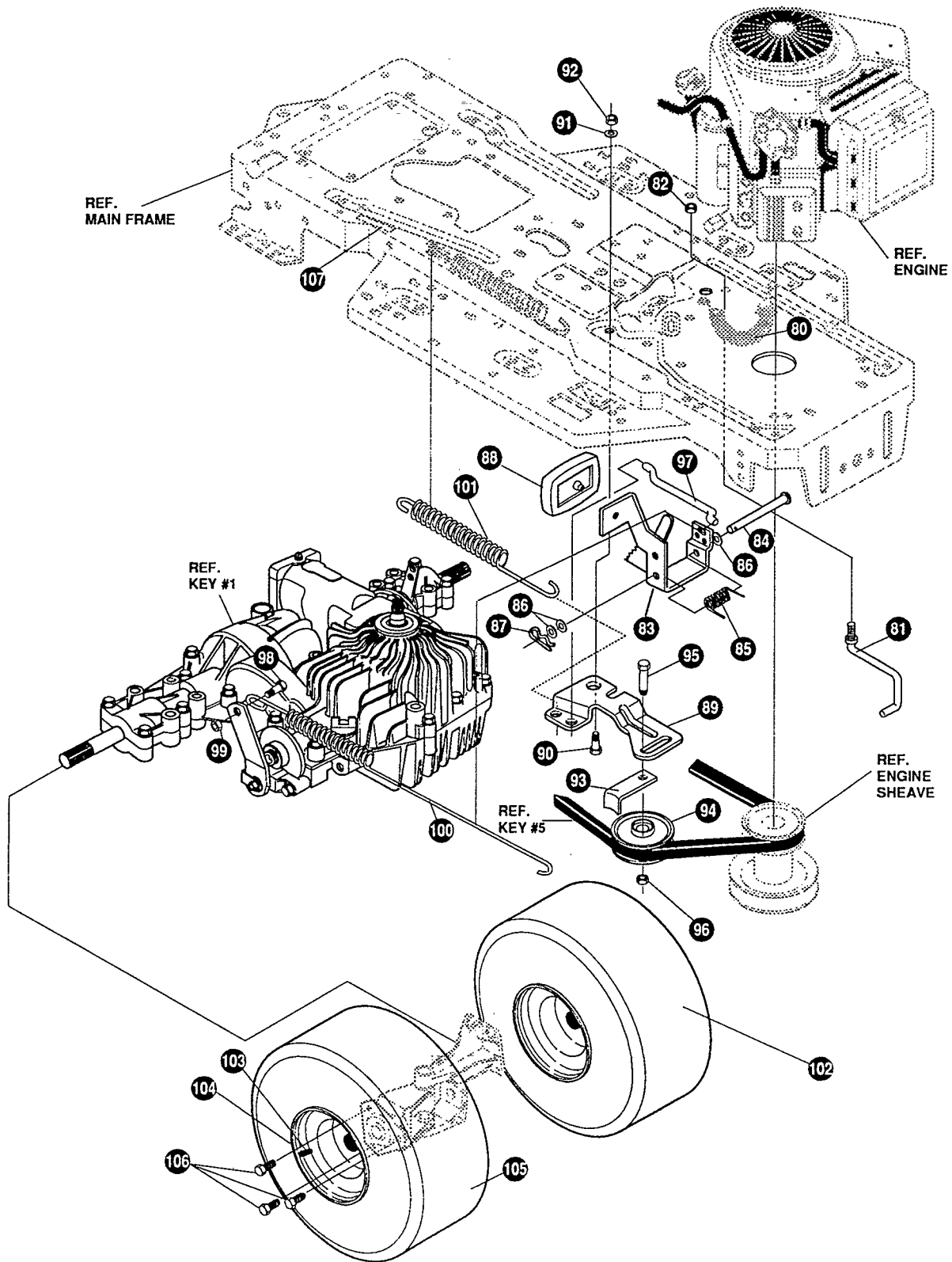
40" LAWN TRACTOR MODEL D4013-060

KEY#	PART#	DESCRIPTION	QTY.
1	^	TRANSAXLE, T1800 PEERLESS 4WS HYDRO	1
2	120393	WASHER, FLAT .344X .69X.065	6
3	325441	GUIDE, BELT	1
4	122017	SCREW, 5/16-18X1.00HHC	1
5	325391	LINK, SHIFT LF HYDRO	1
6	122145	SCREW, 3/8-16X1.25 HHC	2
7	274517	WASHER, FLT. .406X.73X.063	2
8	1499	NUT, 3/8-16 REGHXCTRLK	2
9	314572	BELT, V 4L 80.16 HYDRO LF	1
10	120393	WASHER, FLAT .344 X .69 X .065	4
11	180089	SCREW, 5/16-18X2.25 HHC	4
12	1498	NUT, 5/16-18 REGHEXCTRLK	4
13	326684	STABILIZER BRACKET LF HYDRO	2
14	122007	SCREW, 5/16-18X.75 HHC	1
15	1498	NUT, 5/16-18 REGHEXCTRLK	3
16	138538	WASHER, REGINLK .320X.61X.03	1
17	35498	SCREW, 5/16-18X.75 WAHTAP	2
18	325392-853	LEVER, SHIFT-LWR LF HYDRO	1
19	310347-853	CLIP-SHIFT LEVER .62 ROD	1
20	180077	SCREW, 5/16-18X .75 HHC	1
21	996416	WASHER, FLAT .391X1.00X.125	1
22	1498	NUT, 5/16-18 REGHEXCTRLK	1
23	310347-853	CLIP-SHIFT LEVER .62 ROD	1
24	180077	SCREW, 5/16-18 REGHEXCTRLK	1
25	996416	WASHER, FLAT .391X1.00X.125	1
26	1498	NUT, 5/16-18 REGHEXCTRLK	1
27	310356	PIVOT BRKT LEVER	1
28	180018	SCREW, 1/4-20X .62 HHC	2
29	1502	NUT, 1/4-20 REGHEXCTRLK	2
30	318452	LEVER, SHIFT UPPER SF 1/2-13TH	1
31	318451	SPRING, TORS. .56X.95X.095	1
32	8260	PIN, HAIR .125 DIA X 1.00 LG	1
33	2968	WASHERS	5
34	120238	NUT, 1/2-13 HEXJAM	1
35	306690	HANDLE 1/2-13 MOLDED BLACK 173	1
36	311257-853	BRACKET COVER	1
37	314244	COVER PLASTIC	1
38	311331	SCREW, 174-15X.44/.533 HILOHWA	2
39	1341	CLAMP SPRING	2
40	311331	SCREW, 174-15X.44/.533 HILOHWA	2

^ CONTACT YOUR NEAREST TRANSAXLE DEALER FOR PARTS AND SERVICE.

40" LAWN TRACTOR MODEL D4013-060

MOTION DRIVE ASSEMBLY



NOTE: ALWAYS USE ORIGINAL EQUIPMENT PARTS.
Use of service/replacement parts other than original equipment parts may void your warranty.

**ALL UNNUMBERED
ITEMS ARE INTERCHANGEABLE
WITH OPPOSITE SIDE**

326763B

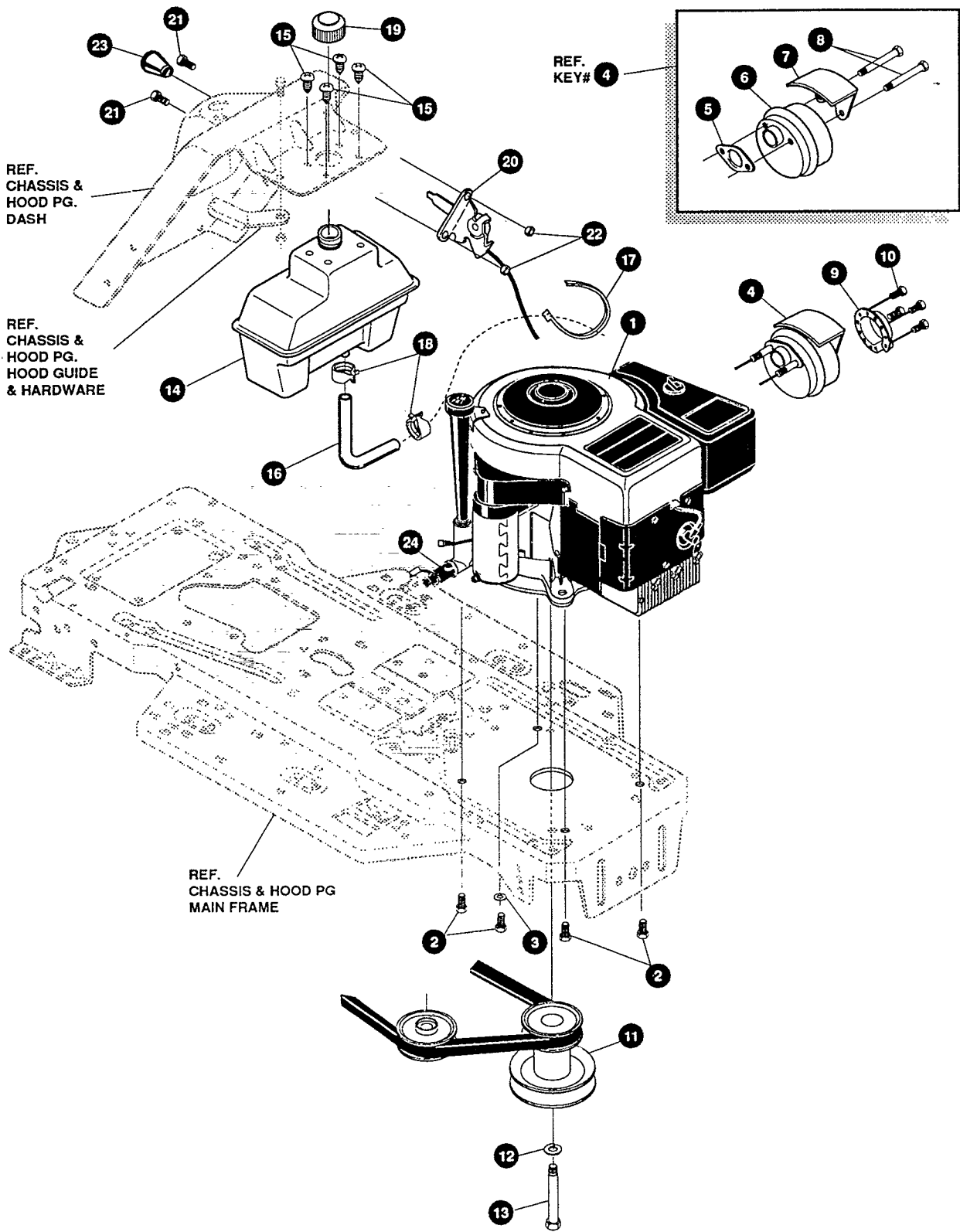
40" LAWN TRACTOR MODEL D4013-060

KEY#	PART#	DESCRIPTION	QTY.
80	321514	SPRING BIAS DRAGLINK	1
81	304016	GUIDE BELT	1
82	1498	NUT, 5/16-18 REGHEXCTRLK	1
83	325942	PEDAL ASSY,BRAKE/CLUTCH LF	1
84	319675	PIN,CLEVIS	1
85	57847	SPRING, BRAKE PEDAL	1
86	2968	WASHER, FLAT .504X .75X.059	3
87	56180	PIN,HAIR	1
88	48160	PAD, CLUTCH BRAKE W/PRINTING	1
89	320381-853	ARM,IDLER TRACTION DR. LF	1
90	300793	BOLT, .625X .135 HSH 5/16-18	1
91	45602	WASHER, FLAT .333X .87X.119	1
92	1498	NUT, 5/16-18 REGHEXCTRLK	1
93	39659	RETAINER, STRAP BELT	1
94	35374	PULLEY, IDLER V4L 3.06X .62	1
95	45892	BOLT, 3/8-16X1.50 CARR	1
96	1499	NUT, 3/8-16 REGHXCTRLK	1
97	57204	ROD, CLUTCH	1
98	326131	BOLT, .SHOULDER 5/16-18	1
99	1498	NUT, 5/16-18 REGHEXCTRLK	1
100	327947	BRAKE SPRING T1800 PEERLESS HYDRO	1
101	325123	SPRING, CLUTCH 16.01X.750X.688	1
102	^	TIRE & RIM 20 X 10-8 GENERIC	2
103	24167	VALVE STEM	1
104	316667	RIM, WHEEL	1
105		REFER TO TIRE TREAD PAGE	
106	123418	SCREW, 1/2-20 X .50 HHC	6
107	313039	DECAL, 4WS PATENT NO. 5048853	1

^ ORDER INDIVIDUAL PARTS.

40" LAWN TRACTOR MODEL D4013-060

ENGINE & CONTROL ASSEMBLY



NOTE: ALWAYS USE ORIGINAL EQUIPMENT PARTS.
Use of service/replacement parts other than original equipment parts may void your warranty.

**ALL UNNUMBERED
ITEMS ARE INTERCHANGEABLE
WITH OPPOSITE SIDE**

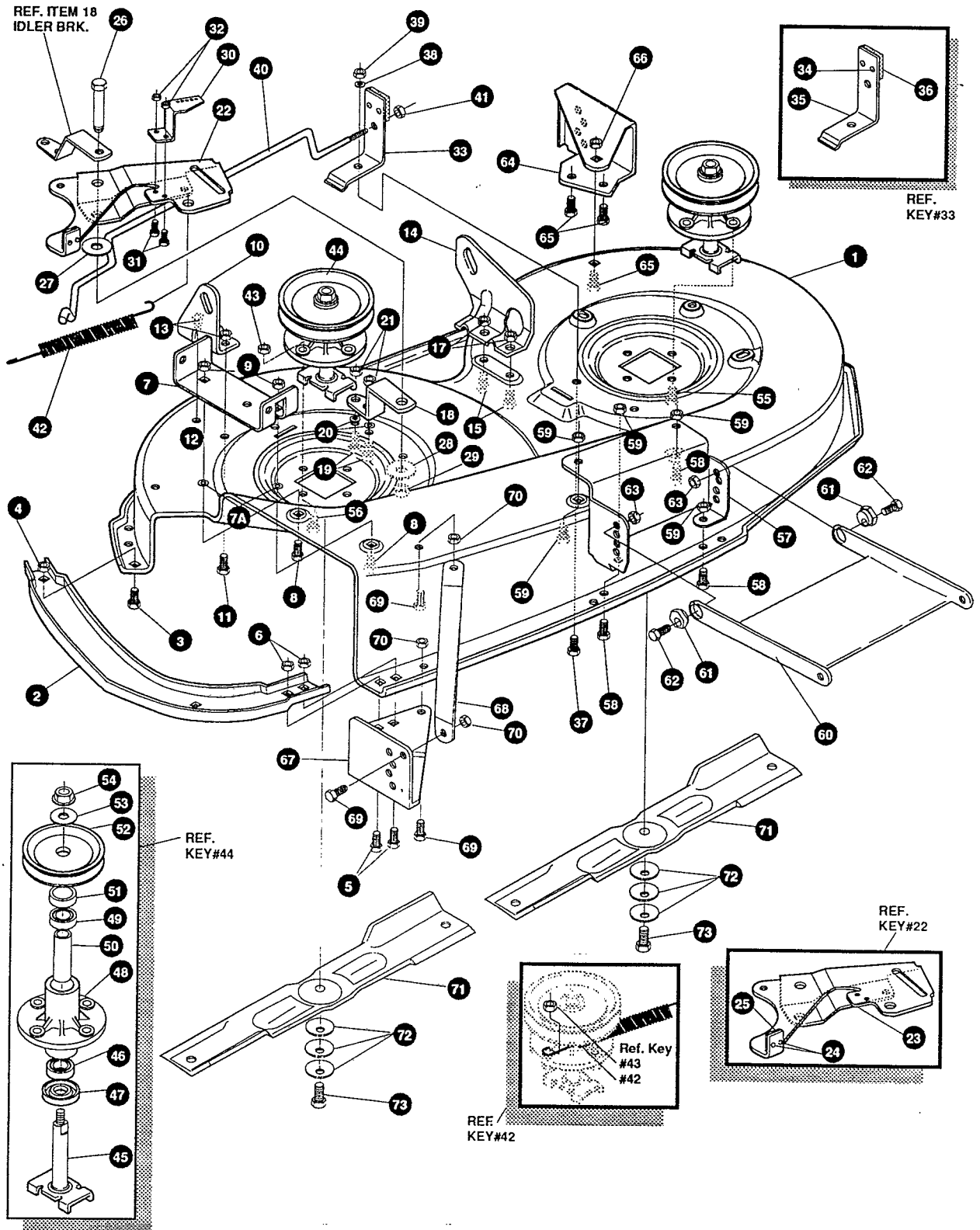
329421A

40" LAWN TRACTOR MODEL D4013-060

KEY#	PART#	DESCRIPTION	QTY.
1	ENGINE	12-12.5 HP B&S DUAL (SEE ENGINE MANUAL)	1
2	50947	SCREW, 3/8-16X1.25 WAHTAP	4
3	138489	WASHER, EXLK .384X.69X.04	1
4	57776	MUFFLER ASSY	1
5	46708	GASKET, MUFFLER	1
6	54766	MUFFLER-ROUND	1
7	54767	SHIELD, HEAT	1
8	173063	SCREW, 5/16-18X3.50 HHC	2
9	56472	DEFLECTOR SIDE OUT	1
10	35287	SCREW, #8-32X .38 HHWATAP	4
11	326567	PULLEY ASSY 4.0DX4.0LGX5.0D 40" HYDRO	1
12	120383	WASHER, REGSPTLK.459X.78X.12	1
13	433146	SCREW, 7/16-20X4.25 HHC	1
14	314989	TANK, FUEL 1 GAL	1
15	49050	SCREW, 1/4-10X .75PHPNTAP	4
16	57876	GAS LINE .25ID BULK LENGTH	13"
17	57444	WIRE TIE	1
18	47345	CLAMP, FUEL LINE	2
19	46704	GAS CAP 1-1/2-7 THD	1
20	321273	CONTROL, THROTTLE LF	1
21	320553	SCREW, 10-24X .63PHPNMA	2
22	271166	NUT, #10-24 HEXKEPS	2
23	50607	KNOB,ROUND THROTTLE	1
24	325547	OIL DRAIN ITW	1

40" LAWN TRACTOR MODEL D4013-060

PRE-PAINTED DECK



NOTE: ALWAYS USE ORIGINAL EQUIPMENT PARTS.
Use of service/replacement parts other than original equipment parts may void your warranty.

**ALL UNNUMBERED
ITEMS ARE INTERCHANGEABLE
WITH OPPOSITE SIDE**

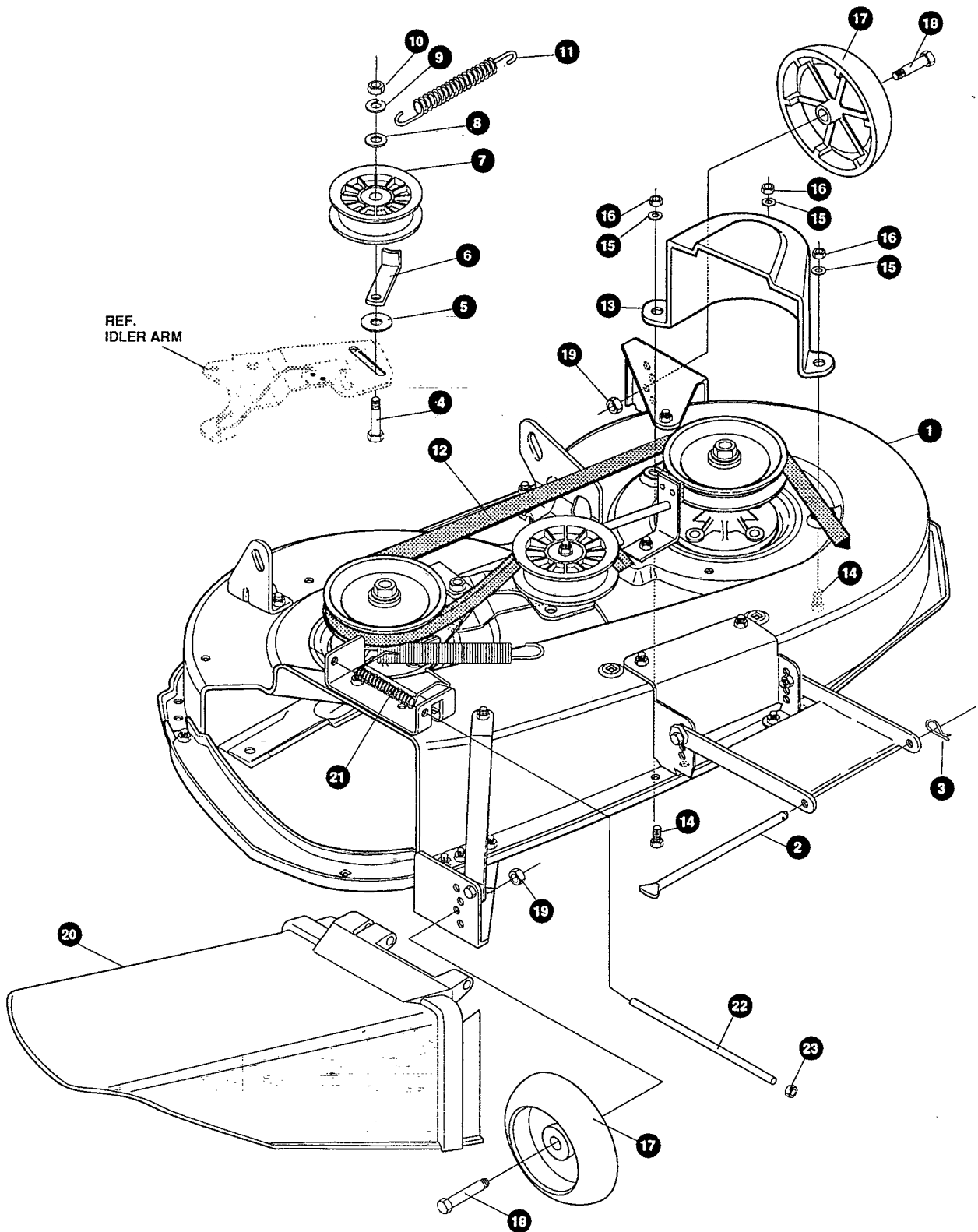
318345G

40" LAWN TRACTOR MODEL D4013-060

KEY#	PART#	DESCRIPTION	QTY.
1.	325103-853	MOWER DECKS, RIDER 40"	1
2.	326480-853	TOE GUARD	1
3.	180075	SCREW, 5/16-18X .63 HHC	1
4.	1498	NUT, 5/16-18 REGHEXCTRLK	1
5.	122007	SCREW, 5/16-18X .75 HHC	2
6.	1498	NUT, 5/16-18 REGHEXCTRLK	2
7.	317017	BRACKET CHUTE MOUNT	1
7A	120393	WASHER, FLAT .344X.69X.065	2
8.	180075	SCREW, 5/16-18X .63 HHC	2
9.	1498	NUT, 5/16-18 REGHEXCTRLK	2
10.	313929	BRACKET, RH LIFT REAR	1
11.	180077	SCREW, 5/16-18X .75 HHC	2
13.	1498	NUT, 5/16-18 REGHEXCTRLK	2
14.	310667	BRACKET, LH LIFT REAR	1
15.	180077	SCREW, 5/16-18X .75 HHC	2
17.	1498	NUT, 5/16-18 REGHEXCTRLK	2
18.	325118-853	BRACE IDLER	1
19.	180077	SCREW, 5/16-18X .75 HHC	2
20.	120393	WASHER, FLAT .344X.69X.065	2
21.	44108	NUT, 5/16-18 HWDFLCTRLK	2
22.	320576-853	IDLER ARM ASSEMBLY	1
23.	322116-853	ARM IDLER 40" DECK EURO	1
24.	41601	RIVET, OVSET .187DIAX .50	2
25.	306973	BRAKE PAD - HARD	1
26.	304420	BOLT, .500X2.15 HXHDCPSH	1
27.	996307	WASHER, FLAT .391X1.00X.209	1
28.	996416	WASHER, FLAT .391X1.00X.125	2
29.	45171	NUT, 3/8-16 HWDFL WHIZ-LOCK	1
30.	326249-853	BRACKET, EXTENSION IDLER	1
31.	180075	SCREW, 5/16-18 X .63 HHC	2
32.	1498	NUT, 5/16-18 REGHEXCTRLK	2
33.	321828-853	BLADE BRAKE ASSY.	1
34.	135624	RIVET, TRSET .185DIAX .41LG	1
35.	304119-853	BRAKE ARM	1
36.	306973	BRAKE PAD	1
37.	180075	SCREW, 5/16-18X .63 HHC	1
38.	120393	WASHER, FLAT .344X .69X.065	1
39.	1498	NUT, 5/16-18 REGHEXCTRLK	1
40.	302714	ROD, BRAKE	1
41.	1502	NUT, 1/4-20 REGHEXCTRLK	1
42.	35410	SPRING .071 X .62 X 4.37	1
43.	1498	NUT, 5/16-18 REGHEXCTRLK	1
44.	56424-853	QUILL ASSY, 36/39/40/43	2
45.	56425	SHAFT/SADDLE 36"	1
46.	49562	BRNG, BALL .669IDX1.575ODX.472	1
47.	50616	DUST SHIELD	1
48.	55547	QUILL CASTING (1046)	1
49.	49562	BRNG, BALL .669IDX1.575ODX.472	1
50.	50818	SPACER, SLEV .669X .88X3.797	1
51.	51449	SPACER, SLEV .672X .93X .438PM	1
52.	313898	PULLEY, 26/36" QUILL	1
53.	56365	WASHER, SPECIAL QUILL	1
54.	1282	NUT, 7/16-20 WDFLLK	1
55.	50634	SCREW, 5/16-18X .88 WAHHTAP	7
56.	300345	SCREW, 5/16-18X1.38 WATAP	1
57.	318445-853	BRACKET, 40 LF FRONT DECK	1
58.	180075	SCREW, 5/16-18X .63 HHC	4
59.	1498	NUT, 5/16-18 REGHEXCTRLK	4
60.	58305-853	BRACKET, LINK DECK FRONT	1
61.	58247	ADJUSTING NUT	2
62.	122017	SCREW, 5/16-18X1.00 HHC	2
63.	1498	NUT, 5/16-18 REGHEXCTRLK	2
64.	317041	BRACKET, GAGE WHEEL L.H.	1
65.	180075	SCREW, 5/16-18X .63 HHC	3
66.	1498	NUT, 5/16-18 REGHEXCTRLK	3
67.	322464-853	BRACKET, GAGE WHEEL R.H. FRNT	1
68.	314282-853	BRACKET, STABILIZER	1
69.	180075	SCREW, 5/16-18X .63 HHC	3
70.	1498	NUT, 5/16-18 REGHEXCTRLK	3
71.	309070	BLADE, 20.32 HIGH-LIFT	2
72.	2483	WASHER, 39IDX1.25DX.07 BELLVIL	6
73.	39573	SCREW, 3/8-24X1.00 NYLHHC	2

40" LAWN TRACTOR MODEL D4013-060

FINAL DECK ASSEMBLY



NOTE: ALWAYS USE ORIGINAL EQUIPMENT PARTS.
Use of service/replacement parts other than original equipment parts may void your warranty.

**ALL UNNUMBERED
ITEMS ARE INTERCHANGEABLE
WITH OPPOSITE SIDE**

325680B

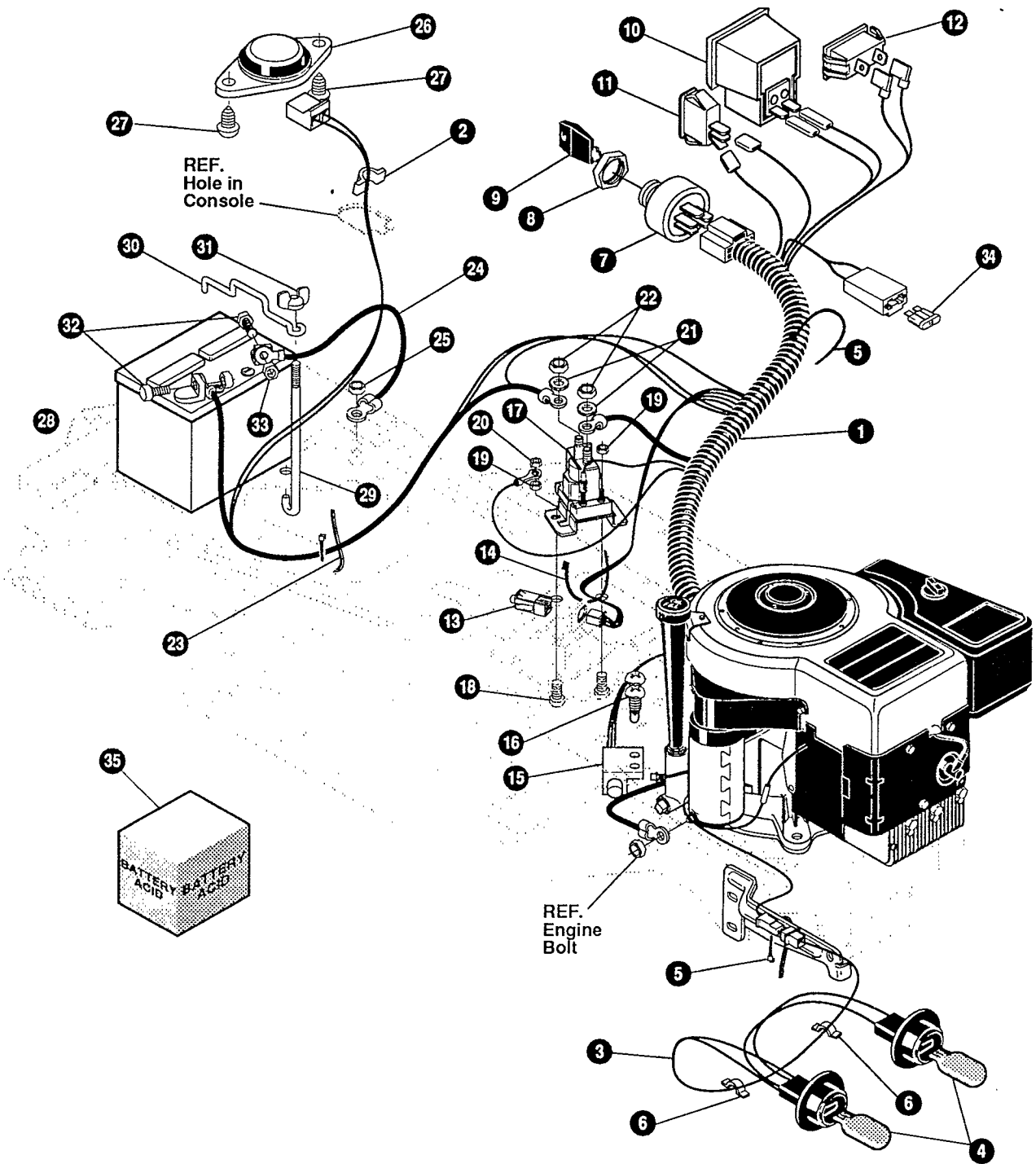
40" LAWN TRACTOR MODEL D4013-060

KEY#	PART#	DESCRIPTION	QTY.
1.	^	DECK,40" MOWER 2-WH DOM	1
2.	58306	ROD, DECK HITCH	1
3.	8260	PIN, HAIR .091 DIA X 1.66LG	1
4.	57325	BOLT, 3/8-16 X 2.00 CARR	1
5.	25210	WASHER, FLAT .392 X 1.25 X .09	1
6.	1346	RETAINER, BELT	1
7.	310326	PULLEY, IDLER BFF 4.00 WIDE FL	1
8.	996307	WASHER, FLAT .391 X 1.00 X .209	1
9.	120382	WASHER, REGSPTLK.393 X .68 X .10	1
10.	120377	NUT, 3/8-16 REGHX	1
11.	300473	SPRING, TENSION 7.52LG+17LB/IN	1
12.	319005	BELT, V 5L 81.00 DECK 40 LF	1
13.	328257	GUARD, BELT LH PLASTIC	1
14.	180075	SCREW, 5/16-18 X .63 HHC	3
15.	120393	WASHER, FLAT .344 X .69 X .065	3
16.	1498	NUT, 5/16-18 REGHEXCTRLK	3
17.	302611	GAUGE WHEEL, EURO	2
18.	23763	SHOULDER, BOLT	2
19.	1499	NUT, 3/18-16 REGHEXCTRLK	2
20.	304422	CHUTE, DEFLECTOR 40"-43	1
21.	314975	SPRING TORSION	1
22.	304424	ROD, PIVOT DECK	1
23.	3535	PUSH NUT	1

^ ORDER DECK KIT# 329035 FOR COMPLETE DECK.

40" LAWN TRACTOR MODEL D4013-060

ELECTRICAL ASSEMBLY



NOTE: ALWAYS USE ORIGINAL EQUIPMENT PARTS.
Use of service/replacement parts other than original equipment parts may void your warranty.

**ALL UNNUMBERED
ITEMS ARE INTERCHANGEABLE
WITH OPPOSITE SIDE**

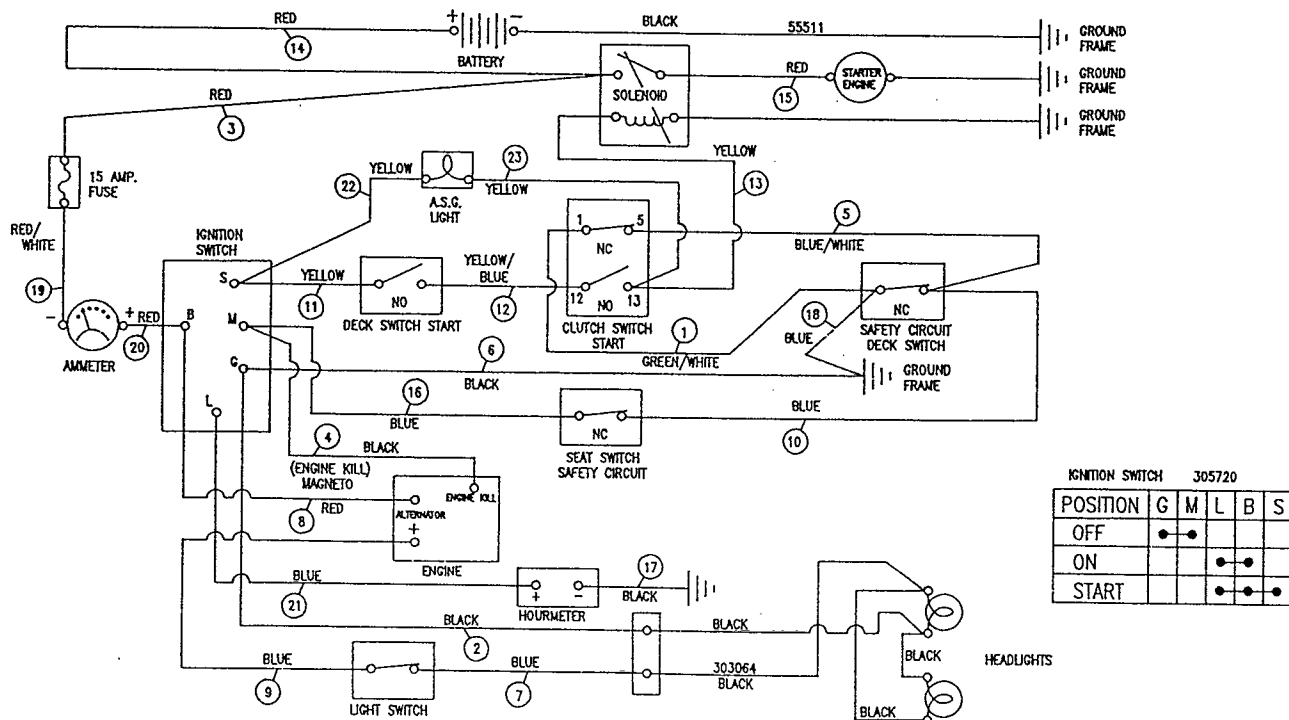
325503C

40" LAWN TRACTOR MODEL D4013-060

KEY#	PART#	DESCRIPTION	QTY.
1	320065	HARNES 12-12.5 BS,DYN.,WRAP,LF	1
2	41482	PRESS,CLIP	1
3	303064	ASSY,LIGHT WIRE-1/4 TURN	1
4	52572	BULB, HEADLIGHT	2
5	57444	TIE,CABLE	3
6	41482	PRESS,CLIP	2
7	327355	SWITCH-IGN	1
8	327352	NUT, 5/8-32 HXHD IGN SWIT	1
9	327350	KEY, IGNITION	1
10	300133	AMMETER	1
11	300334	LIGHT SWITCH ON/OFF PANEL	1
12	300255	LIGHT, INDICATOR PANEL MOUNT	1
13	320082	SWITCH,DOUBLE POLE	1
14	57444	TIE,CABLE	1
15	57476	SWITCH,SCR MNT NO/NC	1
16	57220	SCREW, #12 X.50 PHPNTAP	2
17	53716	SOLENOID	1
18	187745	SCREW, 1/4-20 REGHEXCTRLK	2
19	1502	NUT, 1/4-20 REGHEXCTRLK	2
20	271172	NUT, 1/4-20 REGHEXKEPS	1
21	138485	WASHER, EXLK .320X.61X.03	2
22	120368	NUT, 5/16-24 REGHEX	2
23	57444	TIE,CABLE	1
24	55511	WIRE,GROUND, 12.5"	1
25	271184	NUT, 5/16-18 HEXKEPS	1
26	57547	SWITCH,SEAT	1
27	160505	SCREW, 1/4-20X.38	2
28	302257	BATTERY 12V	1
29	57551	ROD,BATTERY	1
30	57552	ROD,BATTERY, TOP	1
31	325232	NUT,WING 1/4-20X.63 HHC	1
32	120854	SCREW,1/4 X.63 HHC	2
33	271172	NUT, 1/4-20 REGHEXKEPS	2
34	302031	FUSE, 15 amp SPADE TYPE	1
35	^	BATTERY ACID, 80 OZ.	1

** SPADE TYPE FUSE INCLUDED WITH THE WIRE HARNESS.
 ^ CAN BE PURCHASED LOCALLY.

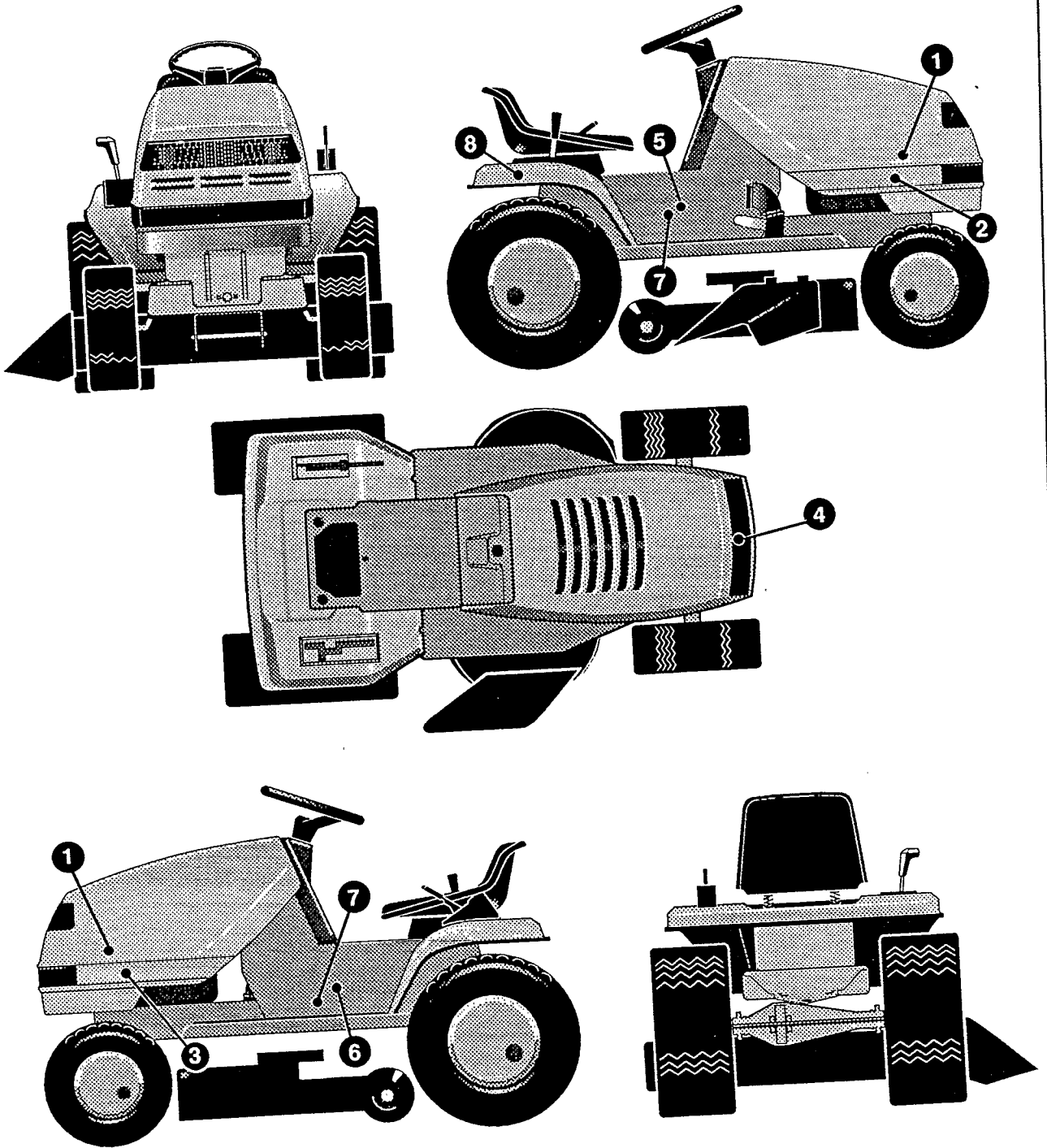
WIRING SCHEMATIC



320065

40" LAWN TRACTOR MODEL D4013-060

DECALS (DECORATIVE)



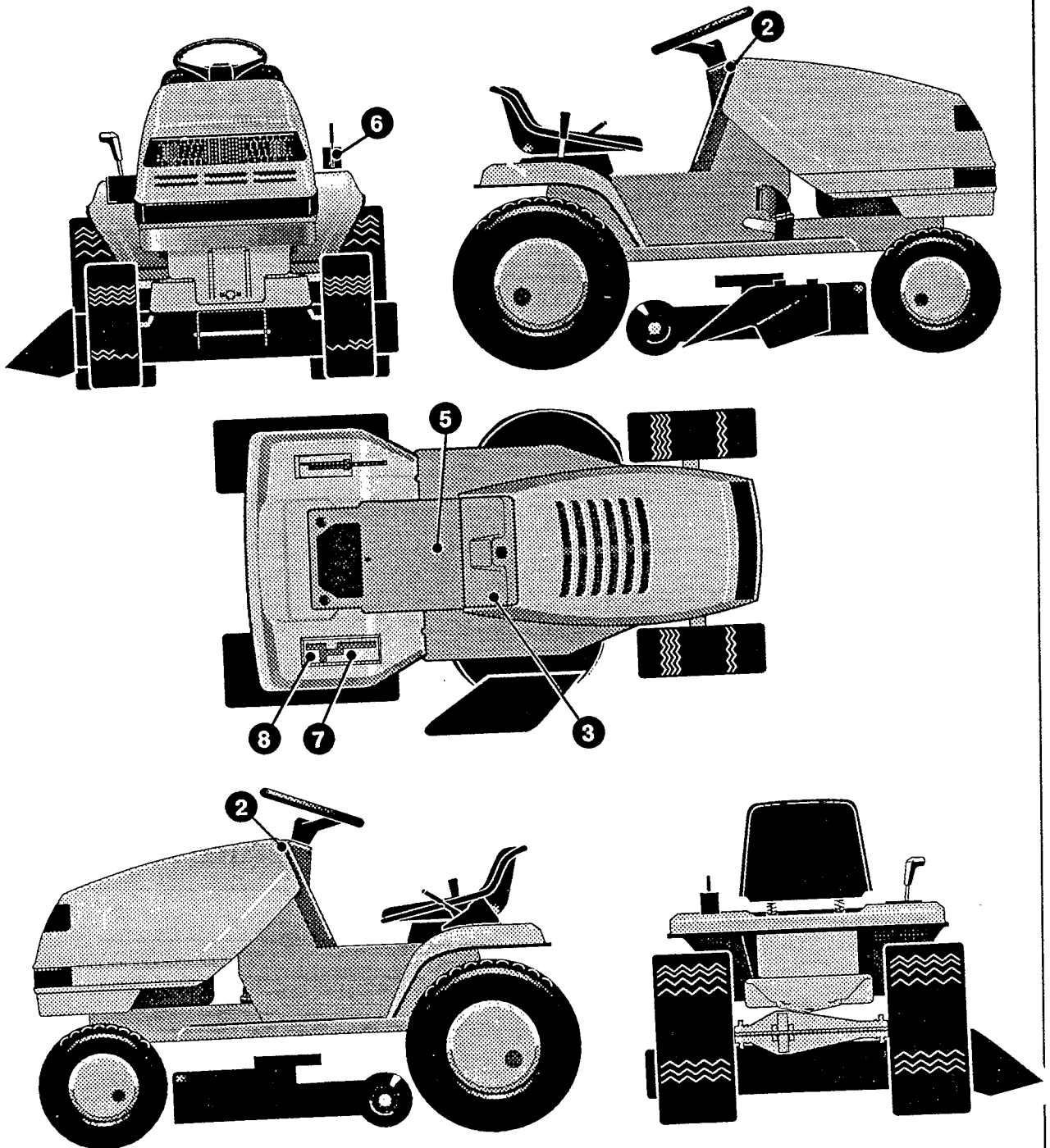
329378A

40" LAWN TRACTOR MODEL D4013-060

KEY#	PART#	DESCRIPTION	QTY.
1.	320779	NAMEPLATE, DYNAMARK PLUS LOGO	2
2.	320780	DECAL, HOOD STRIPES RH	1
3.	320781	DECAL, HOOD STRIPE LH	1
4.	320784	DECAL, BUMPER STRIPE	1
5.	320792	DECAL, DYNA PLUS CONSOLES RH	1
6.	320793	DECAL, DYNA PLUS CONSOLE LH	1
7.	328313	NAMEPLATE, 12.5/40	2
8.	320791	NAMEPLATE, AUTO TRANSMISSION	1

40" LAWN TRACTOR MODEL D4013-060

DECALS (INSTRUCTIONAL)



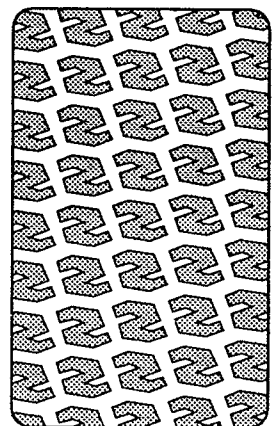
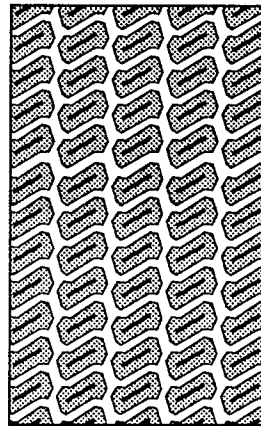
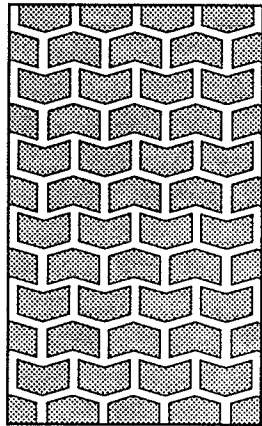
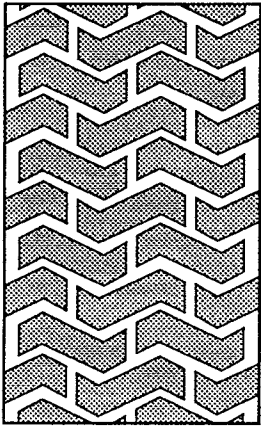
329375A

40" LAWN TRACTOR MODEL D4013-060

KEY#	PART#	DESCRIPTION	QTY.
1.		REFERENCE ONLY	1
2.	313208	DECAL, DASH WEAR STRIP	2
3.	321706	DECAL, LF DASH OKTOLGT DOM	1
4.		REFERENCE ONLY	1
5.	322762	DECAL, CAUTION CONSOLE TOP LF	1
6.	301897	DECAL LIFT DECK BLADE HEIGHT	1
7.	314923	DECAL, SHIFTER LF HYDRO FORWARD	1
8.	314925	DECAL SHIFT LF HYDRO REVERSE	1

40" LAWN TRACTOR MODEL D4013-060

TREAD PATTERNS



"A"

"B"

"C"

"D"

TIRE SIZE

	"A"	"B"	"C"	"D"
11 X 4.00 - 5	42295	319679		
13 X 5.00 - 6	41060	319680		
15 X 6.00 - 6	39830	316702	301140	313952
16 X 6.50 - 8	41081	319682		314539
18 X 8.50 - 8	319683	317400		
18 X 9.50 - 8	41106	316701		313950
20 X 8.00 - 8	319685	319684	57164	314584
20 X 10.00 - 8	58276	319686		313654
20 X 10.00 - 10	55893	319687		
23 X 9.50 - 12	53655	319690	319689	314370