

Manual No. 61-1119B

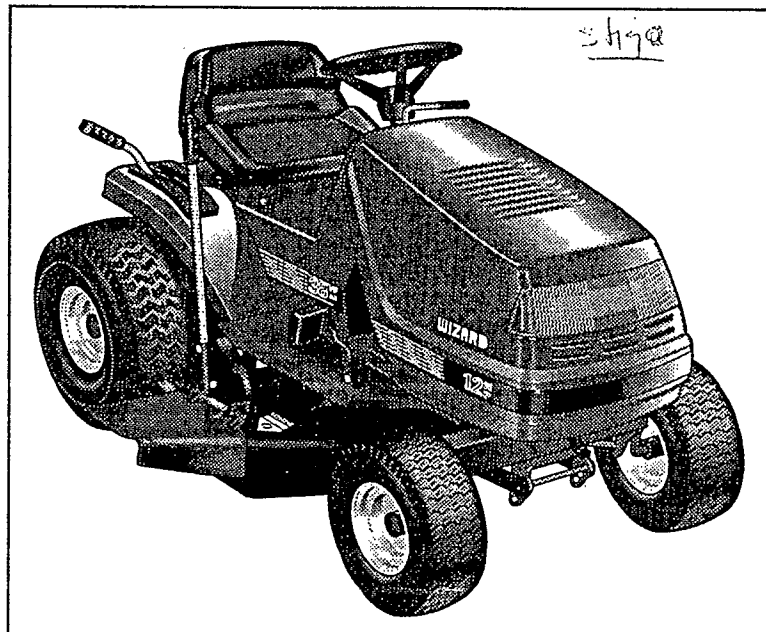
Western Auto

OPERATION AND SERVICE INSTRUCTIONS Wizard Lawn Tractor

STOCK NUMBER
93-7122-0

MODEL NUMBER
NOP7122A19

FACTORY NUMBER
B3812-030

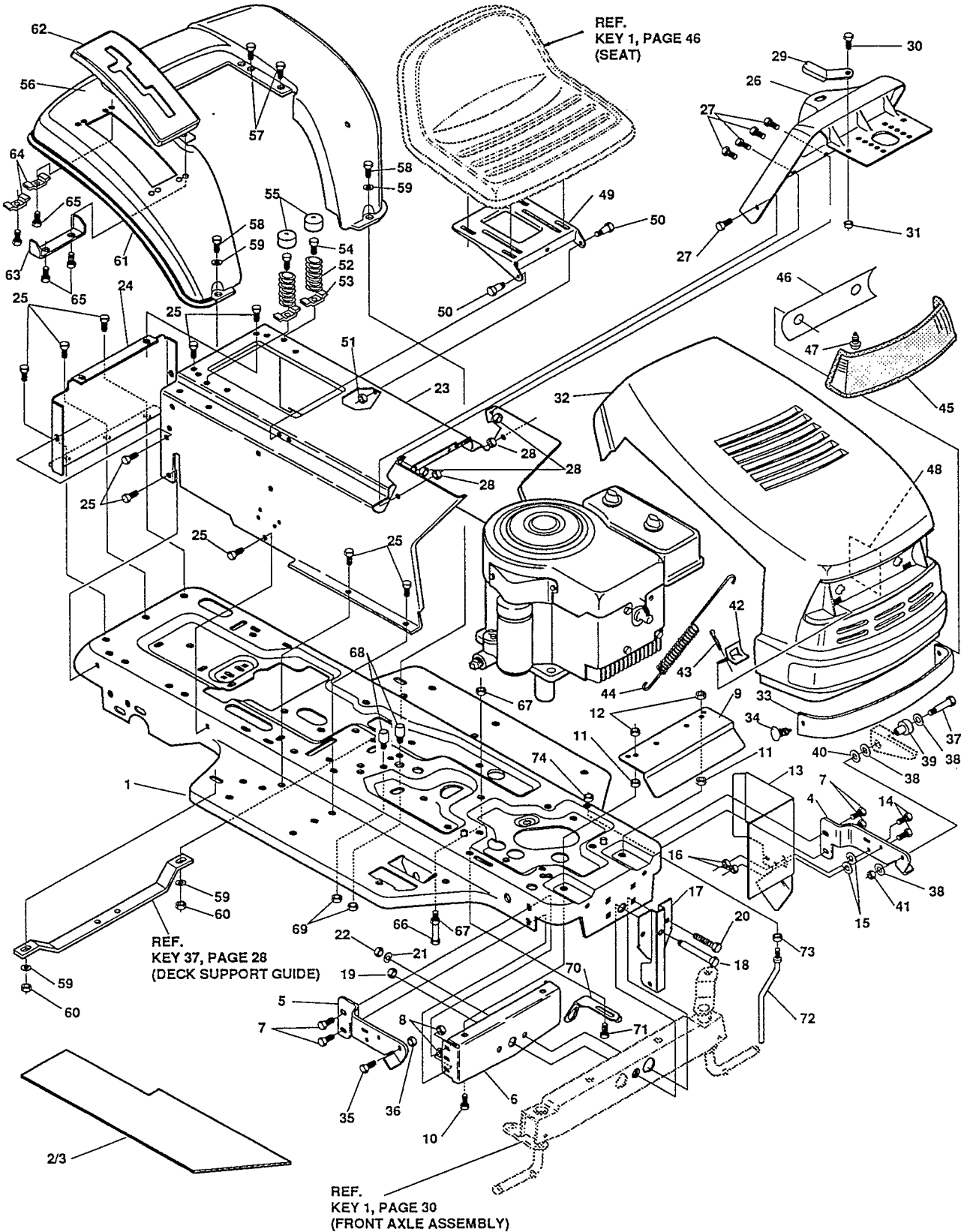


Thank you for purchasing an American-built product.

LAWN TRACTOR REPAIR PARTS

8" LAWN TRACTOR MODEL NOP7122A19

CHASSIS & HOOD ASSEMBLY



316572 G

Part No. 315579

38" LAWN TRACTOR MODEL NOP7122A19

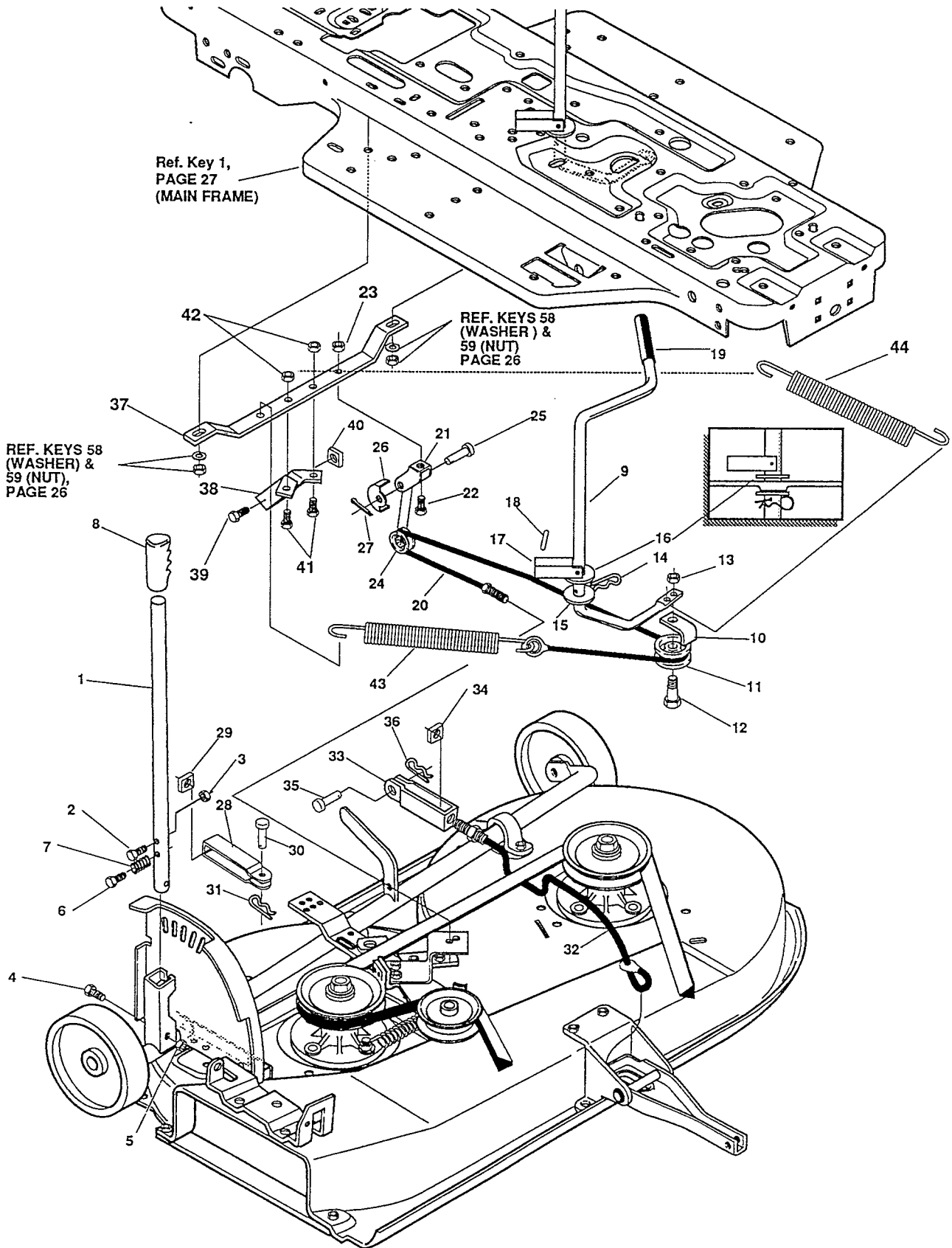
key#	part#	description
1	315066	FRAME,MAIN SF RIDER
2	302917	FOOTPAD,LH
3	302916	FOOTPAD,RH
4	313047	BRKT,GRILL LH
5	313048	BRKT,GRILL RH
6	313437	BRKT,SUPT FRT AXLE-
7	56030	SCREW, 5/16-18X.75WDFLLK
8	55273	NUT, 5/16-18 HXWDFLLK
9	311715	SHIELD,ANTI-GRASS DEH.
10	180081	◇ SCREW, 5/16-18X1.25 HHC
11	1500	◇ NUT, 1/2-13 REGHCTRLK
12	55273	◇ NUT, 5/16-18 HXWDFLLK
13	313015	SHIELD,HEAT
14	180016	◇ SCREW, 1/4-20X .50 HHC
15	311245	WASHER,FLAT.250X .75X INSULATE
16	51335	NUT, 1/4-20 WDFLLK
17	55523	HANGER BRKT
18	50720	BOLT, .625X2.875 SPSH 1/2-20
19	274654	◇ NUT, 1/2-20 REGHXCTRLK
20	122201	◇ SCREW, 3/8-16X2.75 HHC
21	2483	WASHER,.39IDX1.25DX.07 BELLVIL
22	1499	◇ NUT, 3/8-16 REGHXCTRLK
23	316596	CONSOLE,SF DYNA STYLE
24	8521	CONSOLE, REAR COVER
25	995346	SCREW, 1/4-20X .50 WAHHTAP
26	316597	DASH,SF
27	995338	SCREW, 1/4-20X .63 HHWATAP
28	50352	NUT, 1/4-20 WDFLLK TOPLOCK
29	313022	GUIDE,HOOD
30	180018	◇ SCREW, 1/4-20X .62 HHC
31	51335	NUT, 1/4-20 WDFLLK
32	12506	HOOD
33	305737	BUMPER,ASSY
34	309235	FASTENER
35	56676	◇ BOLT, .375X .580 HSH 5/16-18
36	1498	◇ NUT, 5/16-18 REGHEXCTRLK
37	180037	SCREW, 1/4-20X1.63 HHC
38	120392	WASHER, FLAT .281X .63X.065
39	309532	BUSHING,FLANGED,NYLON,INSULATO
40	311245	◇ WASHER,FLAT.250X .75 X INSULATE
41	1502	NUT, 1/4-20 REGHEXCTRLK
42	310801	SPRING ANCHOR
43	121222	PIN, COTTER .090/.086X.75LG
44	304784	SPRING, HOOD LATCH
45	302670	LENS,HEADLAMP DYNA HOODS
46	308492	FOIL,LENS DYNA HOOD REFLECTOR
47	57366	SCREW, 10-16X .50 DRILLTITE
48	301452	FOIL, HEAT REFLECTOR
49	304761	PLATE, SEAT
50	20507	◇ BOLT, .437X .156 HSH 5/16-18
51	1498	NUT, 5/16-18 REGHEXCTRLK
52	56220	SPRING,1.43X2.38X.162 COM SEAT
53	1341	CLAMP,SPRING 1.17"ID
54	995346	SCREW, 1/4-20X .50 WAHHTAP
55	302099	SPRING COVER SF SEAT
56	316598	FENDER F-5 SF FNDR SHIFT
57	995346	◇ SCREW, 1/4-20X .50 WAHHTAP
58	122017	SCREW, 5/16-18X1.00 HHC
59	446363	◇ WASHER, FLAT .375X .88X.082
60	1498	NUT, 5/16-18 REGHEXCTRLK
61	55021	TRIM STRIP
62	311209	COVER PLASTIC
63	313213	BRKT COVER F-5 FNDR SHIFT
64	1341	CLAMP,SPRING 1.17"ID
65	311331	◇ SCREW, 1/4-15X.44/.53 HILOHWA
66	427342	◇ SCREW, 3/8-16X6.50 HHC
67	1499	◇ NUT, 3/8-16 REGHXCTRLK
68	53446	◇ PIN 5/16-8
69	271184	NUT, KEPS 5/16-18
70	312953	BRACKET,SWITCH MOUNT
71	995346	SCREW, 1/4-20X .50 WAHHTAP
72	50653	◇ GUIDE, BELT
73	271190	◇ NUT, 3/8-16 HEXKEPS
74	41529	NUT, 3/8-16 HXCTRLKJAM

◇ STANDARD HARDWARE ITEMS MAY BE PURCHASED LOCALLY.

LAWN TRACTOR REPAIR PARTS

38" LAWN TRACTOR MODEL NOP7122A19

MOWER SUSPENSION ASSEMBLY



314836G

38" LAWN TRACTOR MODEL NOP7122A19

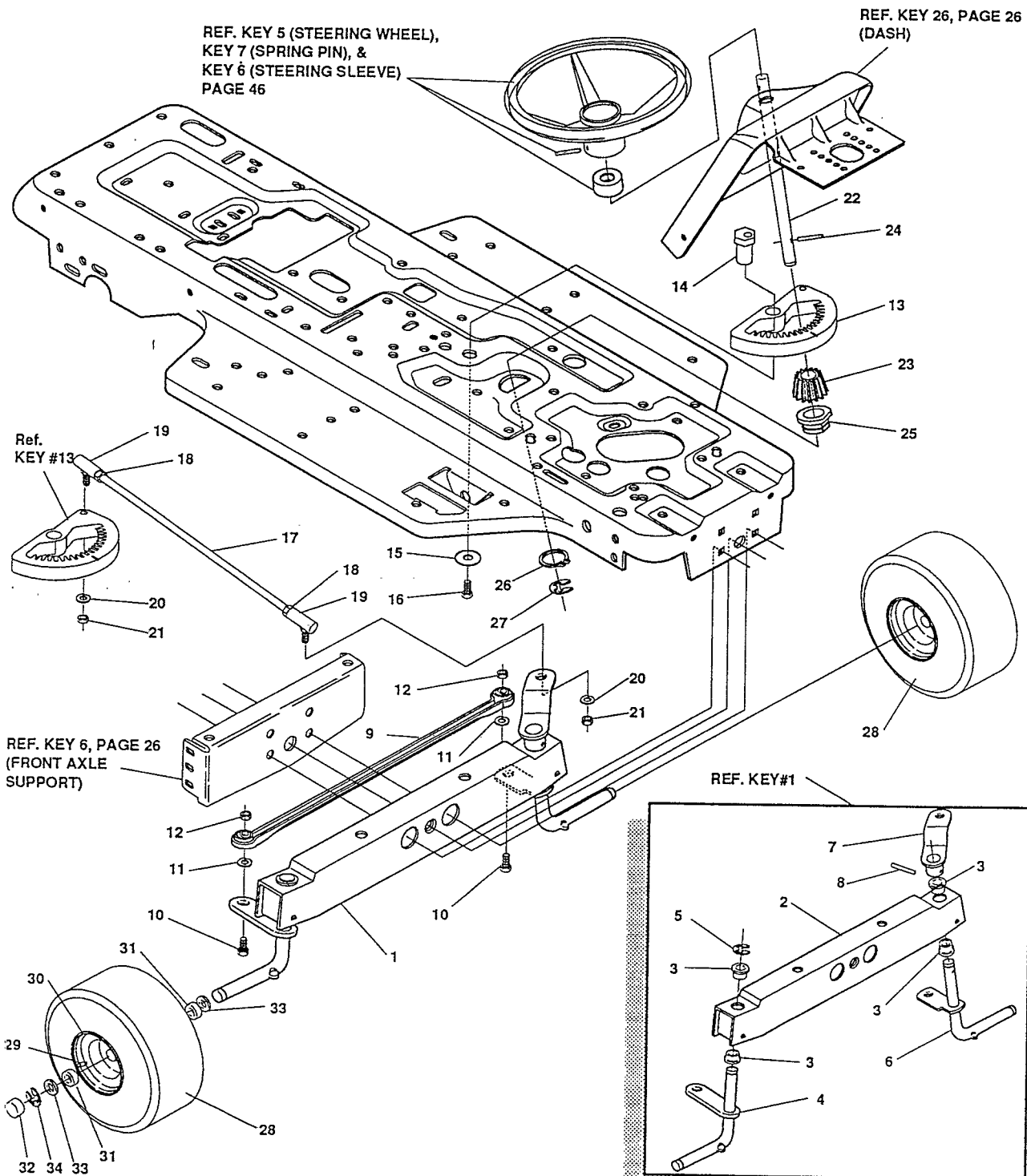
key#	part#	description
1	313637	LEVER, DECK HEIGHT ADJUST
2	57324	BOLT, 5/16-18X.56
3	271184	◇ NUT, 5/16-18 HEXKEPS
4	122040	◇ SCREW, 5/16-18X1.50 HHC
5	1498	◇ NUT, 5/16-18 REGHEXCTRLK
6	995346	◇ SCREW, 1/4-20X .50 HHWATAP
7	57319	SPRING, .70X.85X.091
8	56924	GRIP, .75 X 4.25 HANDLE
9	314877	LEVER, CLUTCH
10	1288	BRKT, CABLE RETAINER
11	39298	PULLEY, .906X.305 NYLON
12	58336	BOLT, .375X .375 HSH 1/4-20
13	1502	◇ NUT, 1/4-20 REGHEXCTRLK
14	8260	PIN, HAIR .091 DIA X 1.66LG
15	996425	◇ WASHER, FLAT .515X .88X.064
16	22265	◇ WASHER, FLAT .515X 1.38X.119
17	305225	STOP, PTO ENGAGEMENT
18	455481	PIN, SPRING.187DIA X 1.00LG
19	46478	GRIP, HAND .50ID 3.37
20	314520	CABLE, CLUTCH 30.25"
21	49320	CABLE, PULLEY SUPPORT
22	180075	◇ SCREW, 5/16-18X .63 HHC
23	1498	◇ NUT, 5/16-18 REGHEXCTRLK
24	39298	PULLEY, .906X.305 NYLON
25	49332	PIN, CLEVIS .375DX.81LG
26	314523	GUARD, PULLEY
27	121222	PIN, COTTER .090/.086X.75LG
28	9405	CLEVIS, LIFT CABLE
29	120372	◇ NUT, 1/4-20 REGSQ
30	39522	PIN, CLEVIS .312 X .812
31	56180	PIN, HAIR .091 DIA X 1.62LG
32	301718	CABLE, LIFT 22.7 LG F-5 20X10-8
33	9405	CLEVIS, LIFT CABLE
34	120372	◇ NUT, 1/4-20 REGSQ
35	39522	PIN, CLEVIS .312 X .812
36	56180	PIN, HAIR .091 DIA X 1.62LG
37	314880	GUIDE, SUPPORT, DECK
38	314876	BRACKET, DECK GUIDE
39	122040	◇ SCREW, 5/16-18X1.50 HHC
40	1498	◇ NUT, 5/16-18 REGHEXCTRLK
41	122017	◇ SCREW, 5/16-18X1.00 HHC
42	1498	◇ NUT, 5/16-18 REGHEXCTRLK
43	300473	SPRING, TENSION
44	316648	SPRING .071 X .62 X 12.88

◇ STANDARD HARDWARE ITEMS MAY BE PURCHASED LOCALLY.

LAWN TRACTOR REPAIR PARTS

38" LAWN TRACTOR MODEL NOP7122A19

STEERING ASSEMBLY



38" LAWN TRACTOR MODEL NOP7122A19

key#	part#	description
1	~	FRONT AXLE ASSEMBLY SF
2	312280	AXLE, FRONT
3	50546	BEARING, FLANGE
4	302668	SPINDLE, RH
5	36625	RING, RETEX
6	302667	SPINDLE, LH
7	49447	ARM, STEERING LH
8	454565	PIN, SPRING
9	302688	TIE ROD
10	122145	◇ SCREW, 3/8-16X1.25 HHC
11	120382	◇ WASHER, .393X.68X.10 REGSPTLK
12	1499	◇ NUT, 3/8-16 REGHCTRLK
13	304245	SECTOR, GEAR
14	44011	BOLT, .750X1.40 SPSH
15	2483	WASHER, .39IDX1.25ODX.07
16	39573	SCREW, 3/8-24X1.00 NYL
17	56190	DRAG LINK
18	124925	◇ NUT, 3/8-24 REGHEXJAM
19	21275	BALL JOINT
20	120382	◇ WASHER, REGSPTLK
21	120369	◇ NUT, 3/8-24 REGHEX
22	314109	STEERING SHAFT
23	44009	PINION, STEERING SHAFT
24	454565	PIN, SPRING
25	54902	BEARING, 1.370X.50 FLANGE STEERING
26	39492	RING, RETEX 1.27X.05
27	36625	RING, RETEX .57X.05
28	316702	TIRE, 15X6.0-6
29	24167	VALVE STEM
30	39829	WHEEL W/BEARING
31	39979	BEARING, 1.38ODX.753ID FLANGE
32	40394	HUB CAP
33	642	WASHER, FLAT .755X1.31X.075
34	36625	RING, RETEX .57X.05

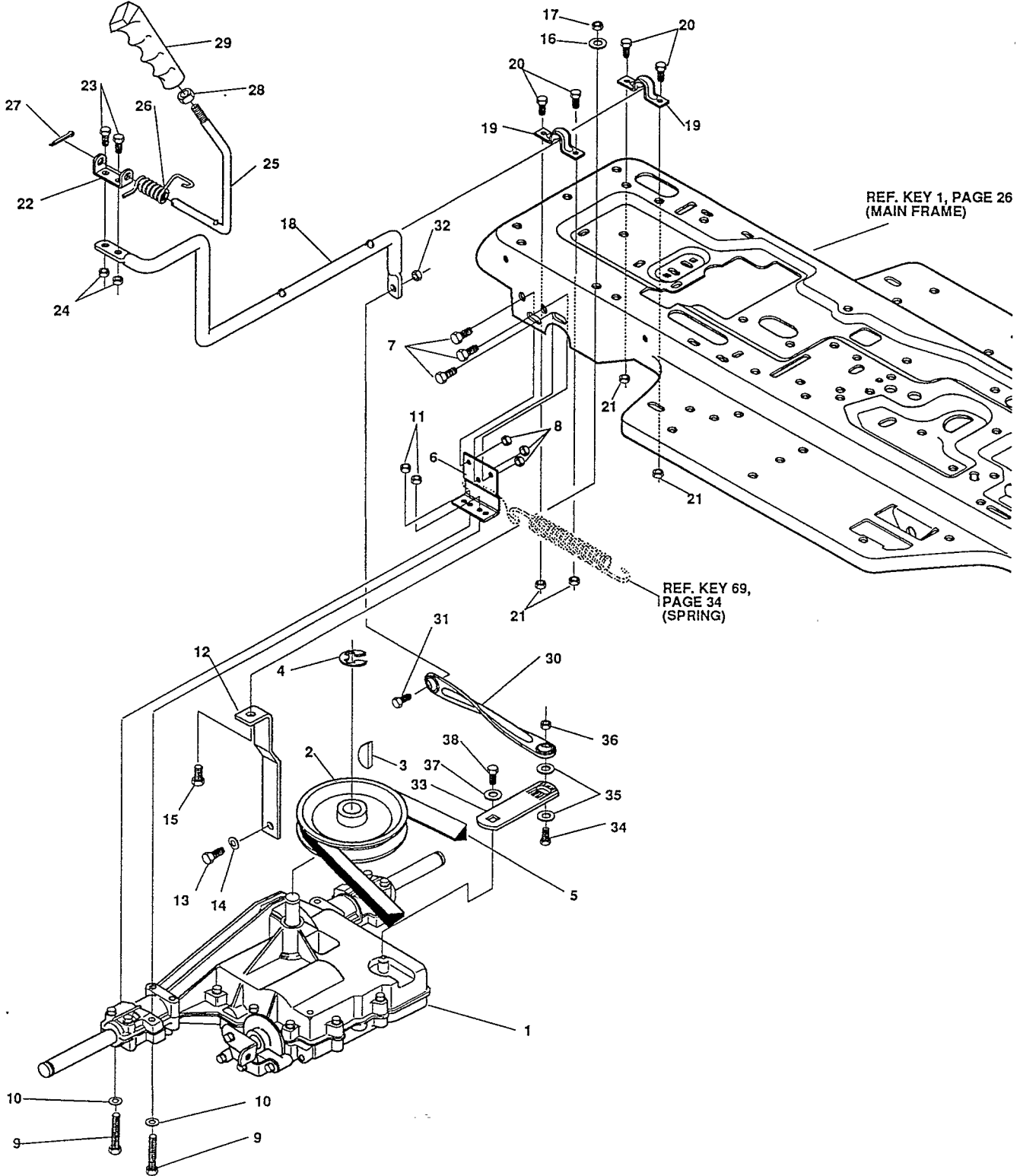
~ Cannot be ordered as a complete assembly. See breakdown on page 30 to order parts separately.

◇ STANDARD HARDWARE ITEMS MAY BE PURCHASED LOCALLY.

LAWN TRACTOR REPAIR PARTS

38" LAWN TRACTOR MODEL NOP7122A19

MOTION DRIVE ASSEMBLY



38" LAWN TRACTOR MODEL NOP7122A19

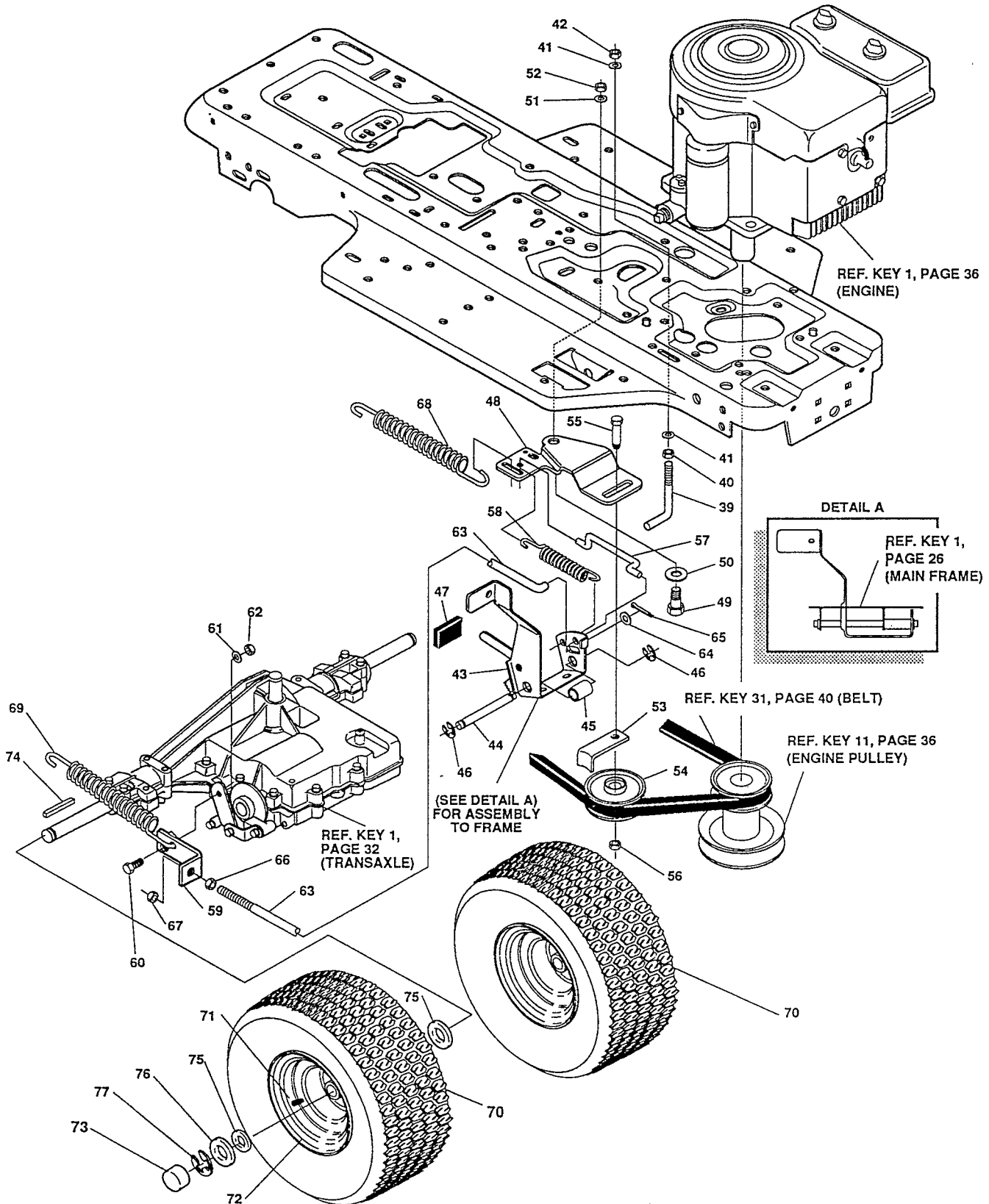
key#	part#	description
1		TRANSAXLE (SEE BREAKDOWN)
2	302745	PULLEY,V 4L 6.60 OD
3	3021	KEY, WDRF 606 .750X.187X.312
4	22053	RING, RETEX .58X.04TRU5100-62
5	54758	BELT, V 4L 82.00 SF DRIVE
6	7707	BRACKET, TRANSAXLE
7	180075	◇ SCREW, 5/16-18X .63 HHC
8	1498	◇ NUT, 5/16-18 REGHEXCTRLK
9	180089	◇ SCREW, 5/16-18X2.25 HHC
10	120393	◇ WASHER, FLAT .344X .69X.065
11	1498	◇ NUT, 5/16-18 REGHEXCTRLK
12	309770	BRKT,STABILIZER
13	35498	◇ SCREW, 5/16-18X .75 WAHTAP
14	120638	◇ WASHER, HVSP TLK .328X.60X.09
15	122017	◇ SCREW, 5/16-18X1.00 HHC
16	138485	WASHER, EXLK .320X.61X.03
17	1498	◇ NUT, 5/16-18 REGHEXCTRLK
18	319113	SHIFT TUBE ASSEMBLY
19	302760	CLAMP .625DIA
20	180075	◇ SCREW, 5/16-18X .63 HHC
21	1498	◇ NUT, 5/16-18 REGHEXCTRLK
22	310356	PIVOT BRKT LEVER
23	180018	◇ SCREW, 1/4-20X .62 HHC
24	1502	◇ NUT, 1/4-20 REGHEXCTRLK
25	309635	LEVER, SHIFT UPPER SF 1/2-13TH
26	310265	SPRING, TORS. .56X.95X.095
27	137185	PIN, COTTER .125 DIA X1.00LG
28	120238	◇ NUT, 1/2-13 HEXJAM
29	306690	HANDLE 1/2-13
30	309546	LINK TIE ROD SHIFTER
31	180122	◇ SCREW, 3/8-16X1.00 HHC
32	41529	◇ NUT, 3/8-16 HXCTRLKJAM
33	309637	BRACKET,SHIFT 5SP
34	180124	◇ SCREW, 3/8-16X1.25 HHC
35	120394	◇ WASHER, FLAT .406X .81X.065
36	1499	◇ NUT, 3/8-16 REGHXCTRLK
37	57157	◇ WASHER,.750X.250 SP-TRANSAXLE
38	56255	◇ SCREW, 1/4-28X .75 NYLHHC

◇ STANDARD HARDWARE ITEMS MAY BE PURCHASED LOCALLY.

LAWN TRACTOR REPAIR PARTS

38" LAWN TRACTOR MODEL NOP7122A19

MOTION DRIVE ASSEMBLY



316556E

38" LAWN TRACTOR MODEL NOP7122A19

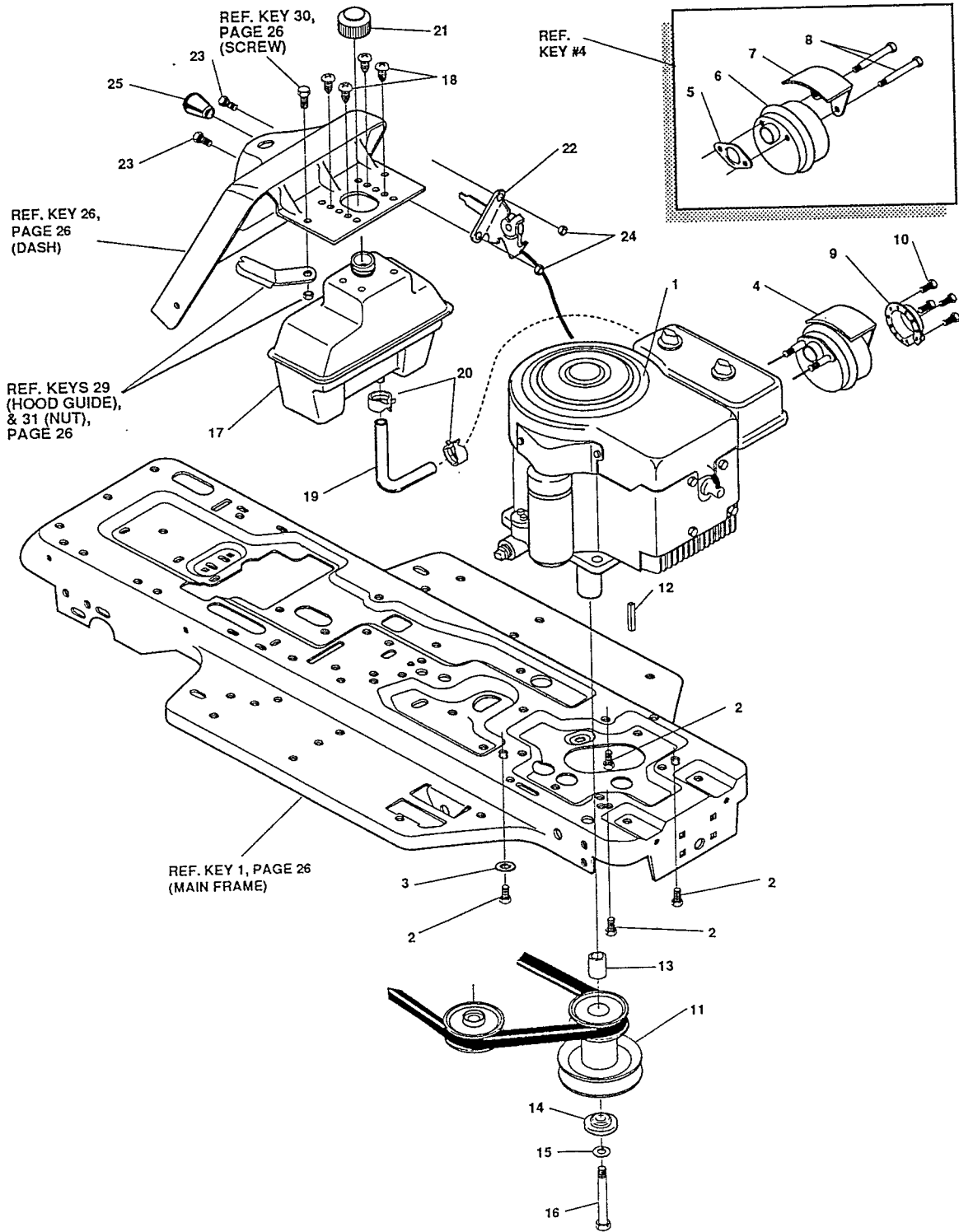
key#	part#	description
39	49896	BELT GUIDE
40	271184	◇ NUT, 5/16-18 HEXKEPS
41	120393	◇ WASHER, FLAT .344X .69X.065
42	1498	◇ NUT, 5/16-18 REGHEXCTRLK
43	302603	ASSY,BRAKE PEDAL S.F.
44	302600	ROD,PIVOT
45	302601	SPACER,.53IDX.62DX1.406 SLEEVE
46	20864	RING, RET E .39X.04TRU5133-50
47	48761	PAD,CLUTCH/BRAKE PEDAL
48	1306	IDLER ARM BRKT TRACTION
49	41890	BOLT, .625X .218 HSSH 5/16-18
50	4107	◇ WASHER, FLAT .635X1.31X.07
51	45602	◇ WASHER, FLAT .333X .87X.119
52	1498	◇ NUT, 5/16-18 REGHEXCTRLK
53	39659	RETAINER, STRAP BELT
54	35374	PULLEY, IDLER V4L 3.06X .62
55	45892	BOLT, 3/8-16X1.50 CARR
56	1499	◇ NUT, 3/8-16 REGHXCTRLK
57	43980	ROD, .268 DIA CLUTCH
58	50562	SPRING,3/8ODX1.625X.055 TENSIO
59	54723	BRACKET, BRAKE ROD
60	20507	BOLT, .437X .156 HSSH 5/16-18
61	120393	◇ WASHER, FLAT .344X .69X.065
62	1498	◇ NUT, 5/16-18 REGHEXCTRLK
63	310189	BRAKE ROD RIDER SF
64	120393	◇ WASHER, FLAT .344X .69X.065
65	121222	PIN, COTTER .090/.086X.75LG
66	271184	◇ NUT, 5/16-18 HEXKEPS
67	1498	◇ NUT, 5/16-18 REGHEXCTRLK
68	49276	SPRING,3/4 ODX6.75X.091 TENSIO
69	35410	SPRING .071 X .62 X 4.37
70	41106	TIRE & RIM, PU 18X9.5-8
71	24167	VALVE STEM
72	41105	WHEEL&HUB ASSY.
73	40394	HUB CAP
74	52928	KEY,SQUARE
75	642	◇ WASHER,FLAT.755X1.31X.075
76	42815	◇ WASHER,FLAT.755X1.53X.07
77	36625	RING, RETEX .57X.05

◇ STANDARD HARDWARE ITEMS MAY BE PURCHASED LOCALLY.

LAWN TRACTOR REPAIR PARTS

38" LAWN TRACTOR MODEL NOP7122A19

ENGINE CONTROL ASSEMBLY



316555 B

Part No. 315579

38" LAWN TRACTOR MODEL NOP7122A19

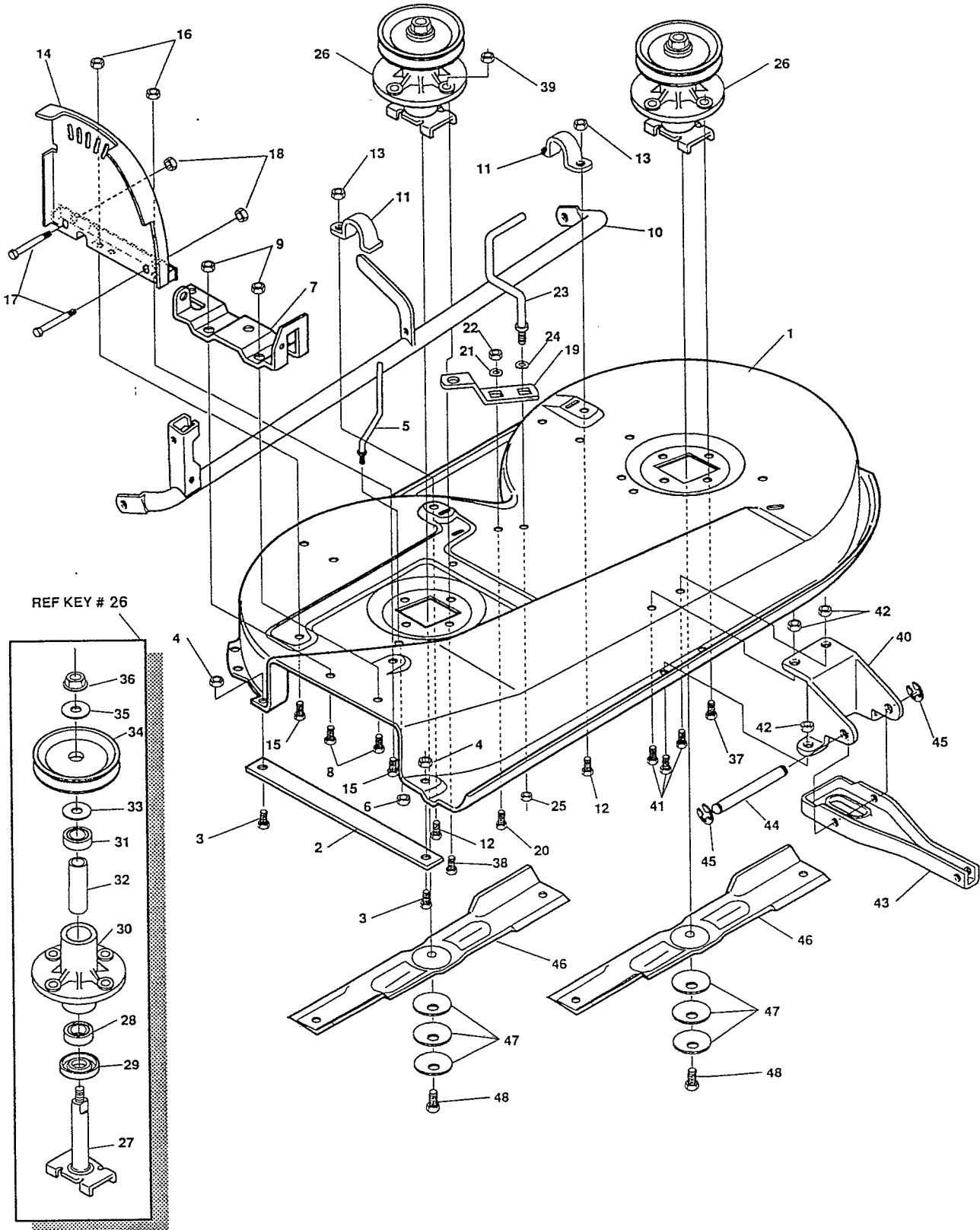
key#	part#	description
1		ENGINE (SEE BREAKDOWN)
2	50947	SCREW, 3/8-16X1.25 WAHHTAP
3	138489	WASHER, EXLK .384X.69X.04
4	57776	MUFFLER ASSY
5	46708	GASKET, MUFFLER
6	54766	MUFFLER, ROUND DOMESTIC USE
7	54767	SHIELD, HEAT
8	173063	SCREW, 5/16-18X3.50 HHC
9	56472	DEFLECTOR SIDE OUT
10	35287	◇ SCREW, 8-32X.38 HHWATAP
11	310250	PULLEY, ENGINE
12	303151	KEY, SQUARE .249SQX4.50LG
13	304246	SPACER, 1.01X1.484 ENGINE PULLEY
14	56431	WASHER, .98IDX1.38ODX.437 PILOT
15	120383	WASHER, REGSPTLK.459X.78X.12
16	433146	SCREW, 7/16-20X4.25 HHC
17	314989	TANK, FUEL 1 GALLON
18	49050	SCREW, 1/4-10X .75PHPNTAP
19	47452	GAS LINE .25ID BULK LENGTH
20	47345	CLAMP, GAS LINE (1/2 DIA HOSE)
21	50988	GAS CAP
22	303275	THROTTLE CONTROL
23	35291	SCREW, 10-24X .50 SLHHMA
24	271166	◇ NUT, #10-24 HEXKEPS
25	50607	KNOB, ROUND THROTTLE

◇ STANDARD HARDWARE ITEMS MAY BE PURCHASED LOCALLY.

LAWN TRACTOR REPAIR PARTS

38" LAWN TRACTOR MODEL NOP7122A19

DECK ASSEMBLY



314835 B

38" LAWN TRACTOR MODEL NOP7122A19

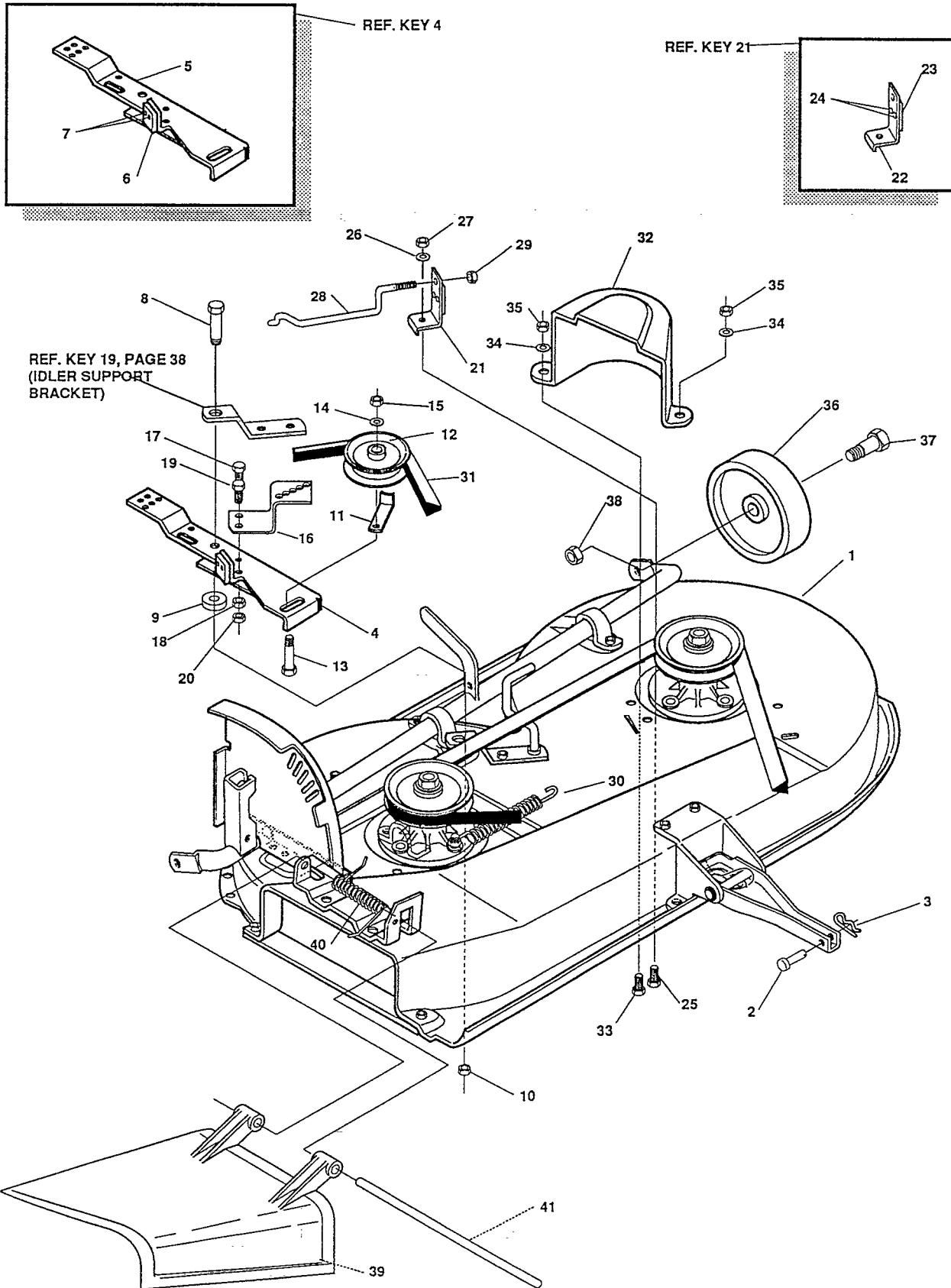
key#	part#	description
1	317325	DECK,39"SD MOWER (SHELL ONLY)
2	317016	BAR, SKID
3	126216	BOLT, 5/16-18X .75 CARR
4	271184	◇ NUT, 5/16-18 HEXKEPS
5	57318	GUIDE, BELT 5/16-18
6	1498	◇ NUT, 5/16-18 REGHEXCTRLK
7	313928	BRACKET, CHUTE
8	180073	◇ SCREW, 5/16-18X .50 HHC
9	1498	◇ NUT, 5/16-18 REGHEXCTRLK
10	314278	TUBE, ASSY TORQUE
11	310672	SUPPORT,PIVOT TUBE
12	180075	◇ SCREW, 5/16-18X .63 HHC
13	1498	◇ NUT, 5/16-18 REGHEXCTRLK
14	308195	QUADRANT,HEIGHT ADJ.,DECK LIFT
15	180075	◇ SCREW, 5/16-18X .63 HHC
16	1498	◇ NUT, 5/16-18 REGHEXCTRLK
17	122040	◇ SCREW, 5/16-18X1.50 HHC
18	1498	◇ NUT, 5/16-18 REGHEXCTRLK
19	9189	MS BRACKET, IDLER SUPPORT
20	180077	◇ SCREW, 5/16-18X .75 HHC
21	120393	WASHER FLAT .344X.69X.065
22	44108	NUT, 5/16-18 HWDFLCTRLK
23	314935	BELT GUIDE
24	120393	WASHER,FLAT .344x.69x.065
25	44108	NUT,5/16-18 HWDFLCTRLK
26	307534	QUILL ASSY, 36",39"& 40"
27	56425	SHAFT/SADDLE 36"
28	49562	BEARING, BALL
29	50616	DUST SHIELD
30	55547	QUILL CASTING
31	49562	BRNG, BALL
32	50818	SPACER,3.797LGX.669IDX.88OD
33	51449	SPACER
34	313898	PULLEY,26/36" QUILL
35	56365	SPECIAL WASHER
36	1282	NUT, 7/16-20 WDFLLK
37	50634	SCREW, 5/16-18X .88 WAHTAP
38	300345	SCREW, 5/16-18X1.38 WATAP
39	1498	◇ NUT, 5/16-18 REGHEXCTRLK
40	8835	BRACKET, FRONT
41	180075	◇ SCREW, 5/16-18X .63 HHC
42	1498	◇ NUT, 5/16-18 REGHEXCTRLK
43	8841	BRACKET, FRONT LIFT
44	57196	ROD,PIVOT .50 OD+4.44LG
45	20864	RING, RETEX .39X.04
46	306932	BLADE, 19.69 HI-LIFT
47	2483	WASHER,.39IDX1.25DX.07 BELLVIL
48	39573	SCREW, 3/8-24X1.00 NYLHHC

◇ STANDARD HARDWARE ITEMS MAY BE PURCHASED LOCALLY.

LAWN TRACTOR REPAIR PARTS

38" LAWN TRACTOR MODEL NOP7122A19

DECK ASSEMBLY



314834 B

38" LAWN TRACTOR MODEL NOP7122A19

key#	part#	description
1		DECK (NOTE)
2	47817	PIN, .495X1.750 CLEVIS-SHORT
3	56180	PIN, HAIR .091 DIA X1.62LG
4	300491	BRACKET, IDLER ARM/BRAKE
5		IDLER ARM (NOT AVAILABLE, ORDER 300491)
6	306973	BRAKE PAD
7	135624	RIVET, TRSET .185DIA X .41LG
8	300180	BOLT, .50 X1.88 HSH 3/8-16
9	996416	WASHER, FLAT .391X1.00X.125
10	45171	◇ NUT, 3/8-16 HWDFL WHIZ-LOCK
11	300844	BELT RETAINER 2.55 OD
12	310326	PULLEY, IDLER
13	57325	BOLT, 3/8-16X2.00 CARR
14	120382	WASHER, REGSPTLK.393X.68X.10
15	120377	◇ NUT, 3/8-16 REGHX
16	314186	BRACKET, IDLER
17	180075	◇ SCREW, 5/16-18X .63 HHC
18	1498	◇ NUT, 5/16-18 REGHEXCTRLK
19	120854	◇ SCREW, 1/4-20X .63 HHC
20	1502	◇ NUT, 1/4-20 REGHEXCTRLK
21	303247	ASSY.BLADE BRAKE
22		BRAKE ARM (NOT AVAILABLE, ORDER 303247)
23	306973	BRAKE PAD
24	135624	RIVET, TRSET .185DIA X .41LG
25	180075	◇ SCREW, 5/16-18X .63 HHC
26	120393	◇ WASHER, FLAT .344X .69X.065
27	1498	◇ NUT, 5/16-18 REGHEXCTRLK
28	300316	ROD, BRAKE RELEASE
29	1502	◇ NUT, 1/4-20 REGHEXCTRLK
30	35410	SPRING .071 X .62 X 4.37
31	300680	BELT, V 5L 77.75 KEVLAR
32	302833	GUARD, BELT LH PLASTIC
33	180075	◇ SCREW, 5/16-18X .63 HHC
34	120393	◇ WASHER, FLAT .344X .69X.065
35	1498	◇ NUT, 5/16-18 REGHEXCTRLK
36	52584	WHEEL, SD 6.00ODX1.38WD
37	23763	BOLT, .500X1.390 HSH 3/8-16
38	1499	◇ NUT, 3/8-16 REGHXCTRLK
39	57818	CHUTE
40	314975	SPRING TORSION
41	57317	PIVOT ROD, CHUTE

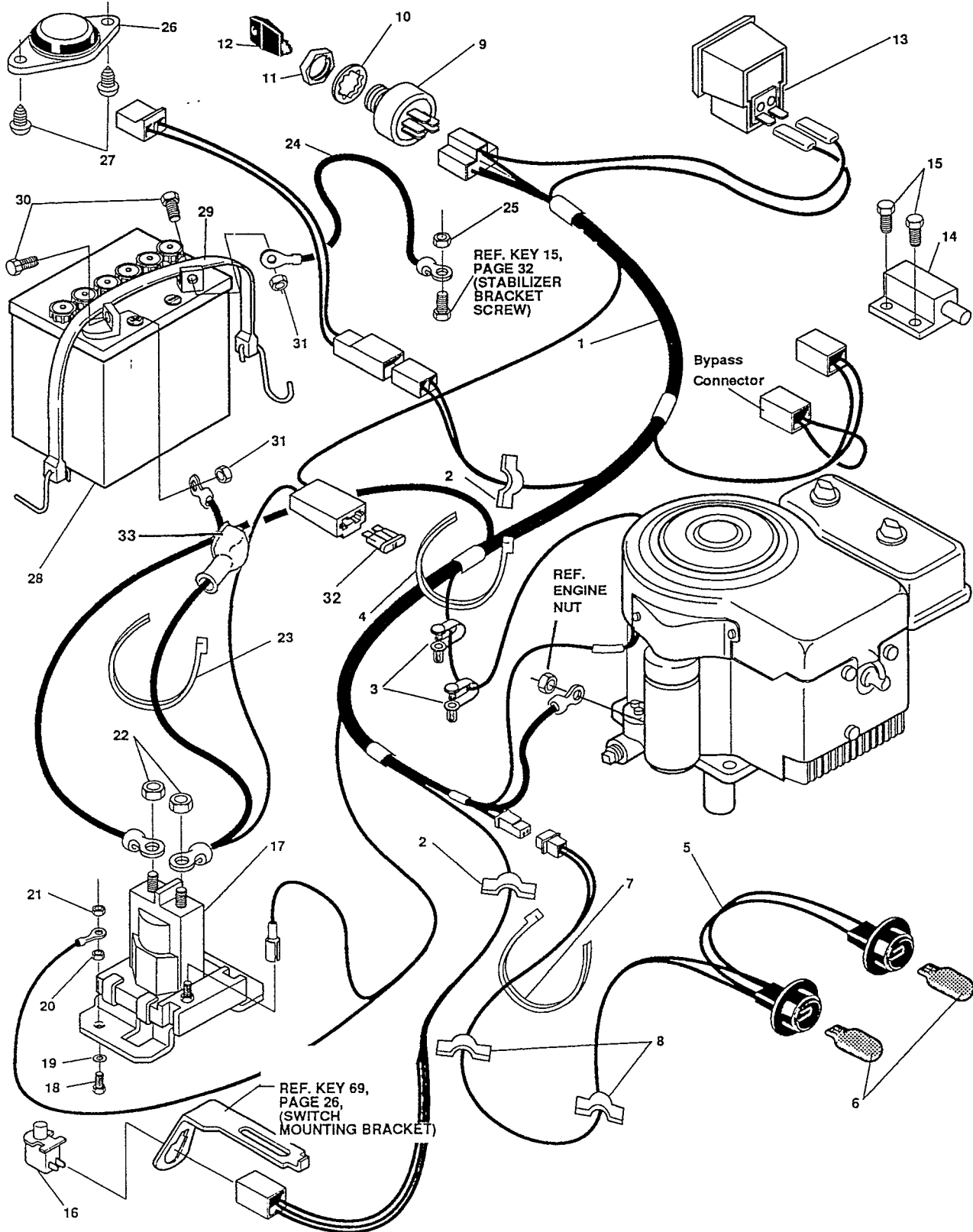
◇ STANDARD HARDWARE ITEMS MAY BE PURCHASED LOCALLY.

NOTE: A mower deck assembly service kit, Part No. 317752 is available. The kit contains all key no's on pages 38 and 40.

LAWN TRACTOR REPAIR PARTS

38" LAWN TRACTOR MODEL NOP7122A19

ELECTRICAL ASSEMBLY



316578E

38" LAWN TRACTOR MODEL NOP7122A19

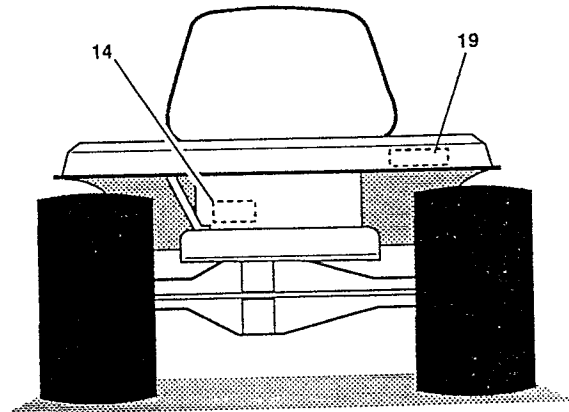
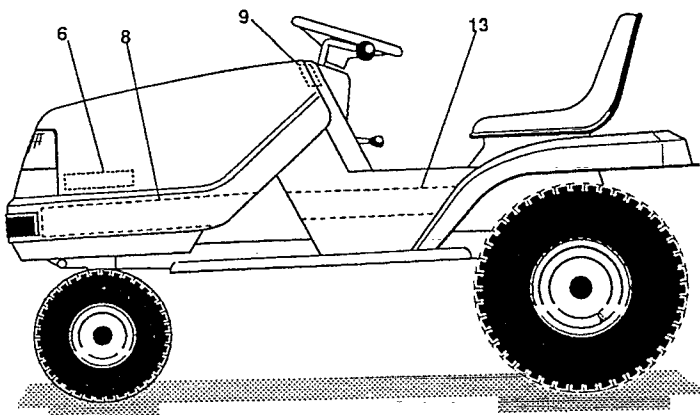
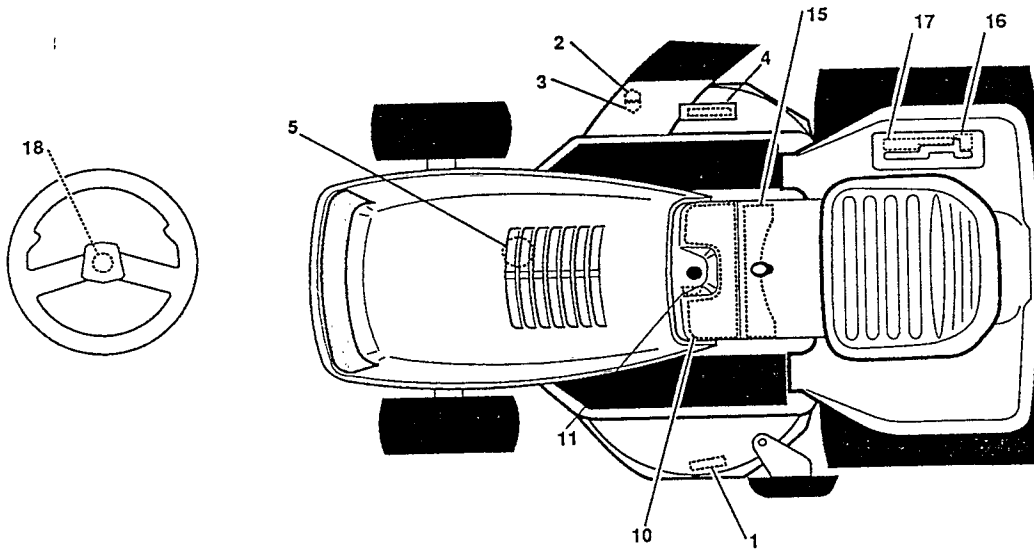
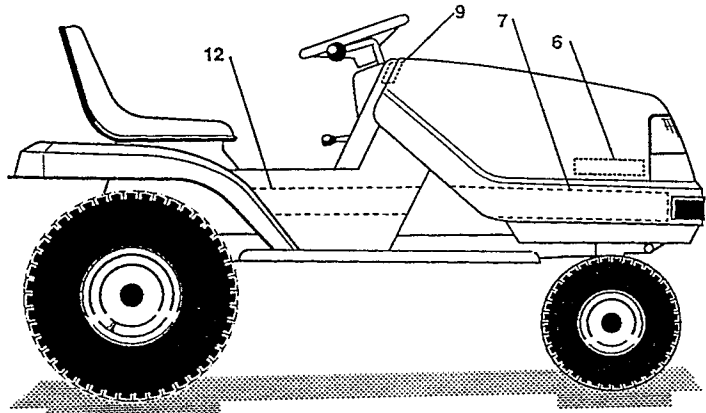
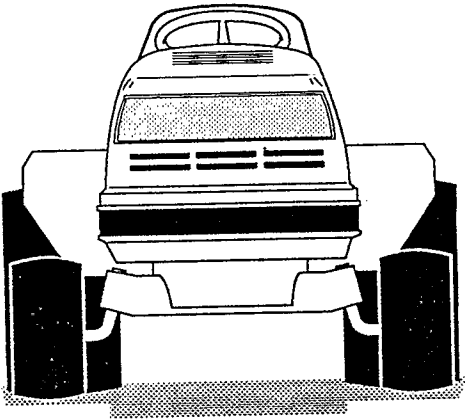
key#	part#	description
1	316581	WIRE HARNESS SF 8-12B&S
2	41482	CLIP, 1.380LG .255ID PRESS WIRE
3	54888	RETAINER, .250DIAX1.665 WIRE
4	57444	TIE, CABLE BLACK NYLON 5.62
5	303064	ASSY, LIGHT WIRE-1/4 TURN
6	52572	BULB, HEADLAMP
7	57444	TIE, CABLE BLACK NYLON 5.62
8	41482	CLIP, 1.380LG .255ID PRESS WIRE
9	300687	SWITCH, IGNITION & LIGHTS
10	138557	WASHER, REGINTLK.640X1.1X.05
11	48140	NUT, 5/8-32 HXHD IGN SWIT
12	300626	KEY, IGNITION SWITCH
13	300133	AMMETER, PANEL MOUNT
14	57476	SWITCH, SCR MNT DP NC
15	57220	SCREW, #12 X .50 PHPNHTAP
16	300220	SWITCH, SNAPMNT NO .055/.116
17	53716	SOLENOID, NEW CLUM
18	187745	◇ SCREW, 1/4-20X .75 HXSEMMA
19	1084	WASHER, FLAT .281 X 1.00 X .063
20	1502	◇ NUT, 1/4-20 REGHEXCTRLK
21	271172	◇ NUT, 1/4-20 REGHEXKEPS
22	271187	NUT, 5/16-24 H KEPS
23	57444	TIE, CABLE BLACK NYLON 5.62
24	55511	WIRE, GROUND, 12.5"
25	271184	◇ NUT, 5/16-18 HEXKEPS
26	57964	SWITCH, SEAT
27	160505	SCREW, 1/4-20X .38PHPNHMA
28	302257	BATTERY, YUASA 12V 5-PLATE
29	309862	STRAP, RUBBER, S-HOOKS 9-13
30	120854	◇ SCREW, 1/4-20X .63 HHC
31	271172	◇ NUT, 1/4-20 REGHEXKEPS
32	302031	FUSE, 15 AMP SPADE TYPE
33	308201	INSULATOR, BATTERY BOOT

◇ STANDARD HARDWARE ITEMS MAY BE PURCHASED LOCALLY.

LAWN TRACTOR REPAIR PARTS

38" LAWN TRACTOR MODEL NOP7122A19

DECALS



315718 G

Part No. 315579

38" LAWN TRACTOR MODEL NOP7122A19

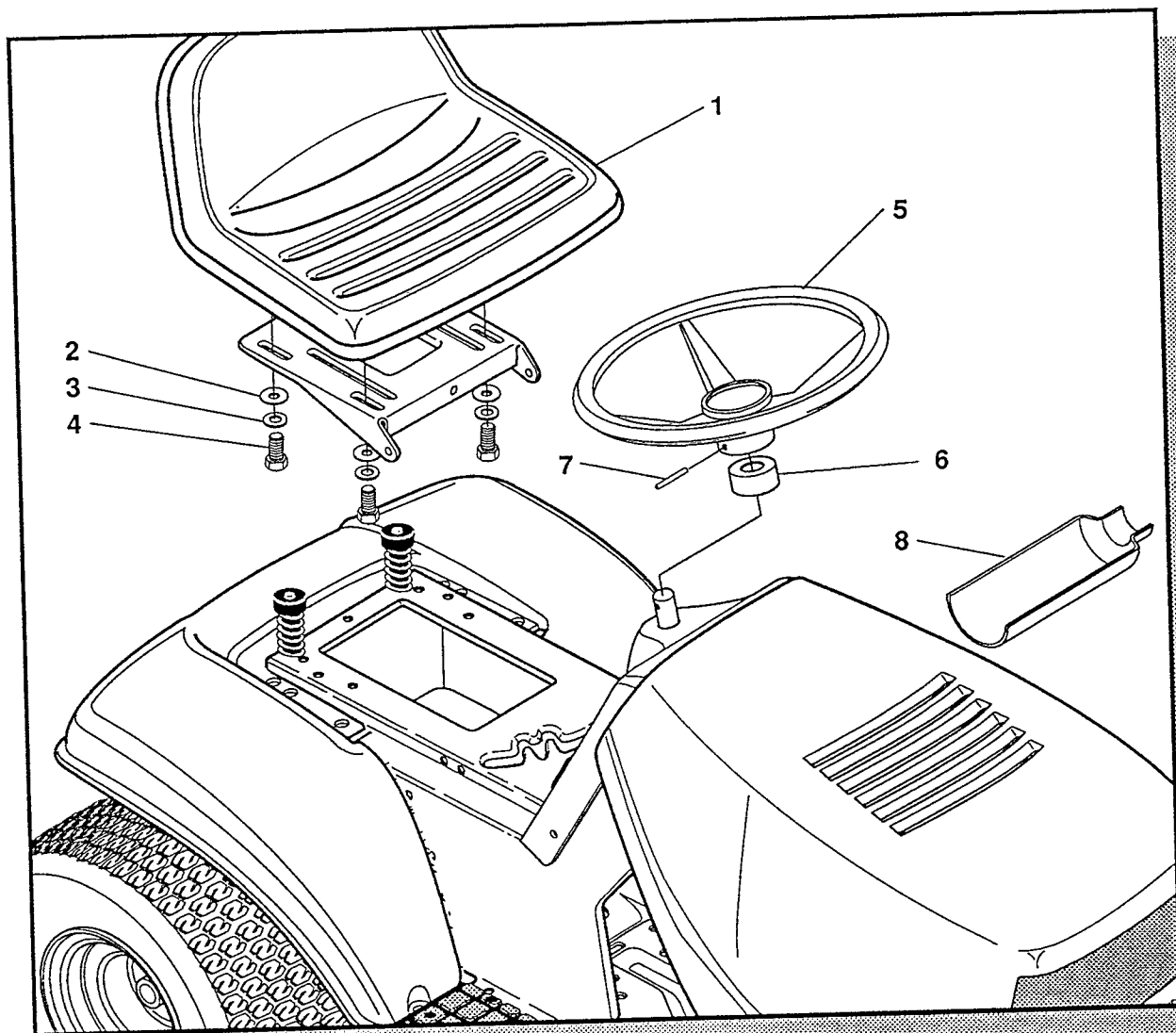
Decals List

key#	part#	description
1	68249	DECAL,NO STEP
2	315514	DECAL, CUT-HAND WARNING LABEL
3	*	DECAL, OPEI SAFETY STANDARD
4	311226	DECAL, DECK HEIGHT
5	300934	DECAL, I/C ENGINE WARRANTY
6	301789	NAMEPLATE, WIZARD
7	302934	DECAL,SM HOOD RH
8	302935	DECAL,SM HOOD LH
9	313208	DECAL, DASH WEAR STRIP
10	316591	DECAL, DASH UPPER
11	317340	DECAL, BLADE ENGAGE
12	309838	DECAL, CONSOLE RH
13	309839	DECAL, CONSOLE LH
14	*	DECAL, MODEL WEST AUTO
15	316592	DECAL, CONSOLE TOP SOF
16	311394	DECAL, SHIFT REV/NEUTRAL
17	311395	DECAL, SHIFTER POSITION
18	304281	DECAL, STEERING WHEEL HUB
19	301789	NAMEPLATE, WIZARD

* REFERENCE ONLY. NOT AVAILABLE.

LAWN TRACTOR REPAIR PARTS

38" LAWN TRACTOR MODEL NOP7122A19



CUSTOMER ASSEMBLY VIEW

315134 PARTS BAG ASSY QTY1

key#	part#	description
1	304314	SEAT MV350
2	120393	WASHER,FLAT .344X.69X.065
3	120638	WASHER, HVSPLTLK .328X.60X.109
4	122007	SCREW, 5/16-18X.75 HHC
5	301251	STEERING WHEEL
6	314775	SLEEVE, STEERING
7	456378	SPRING PIN .250DIAX2.0LG
8	54873	OIL TROUGH

316235 A

Part No. 315579