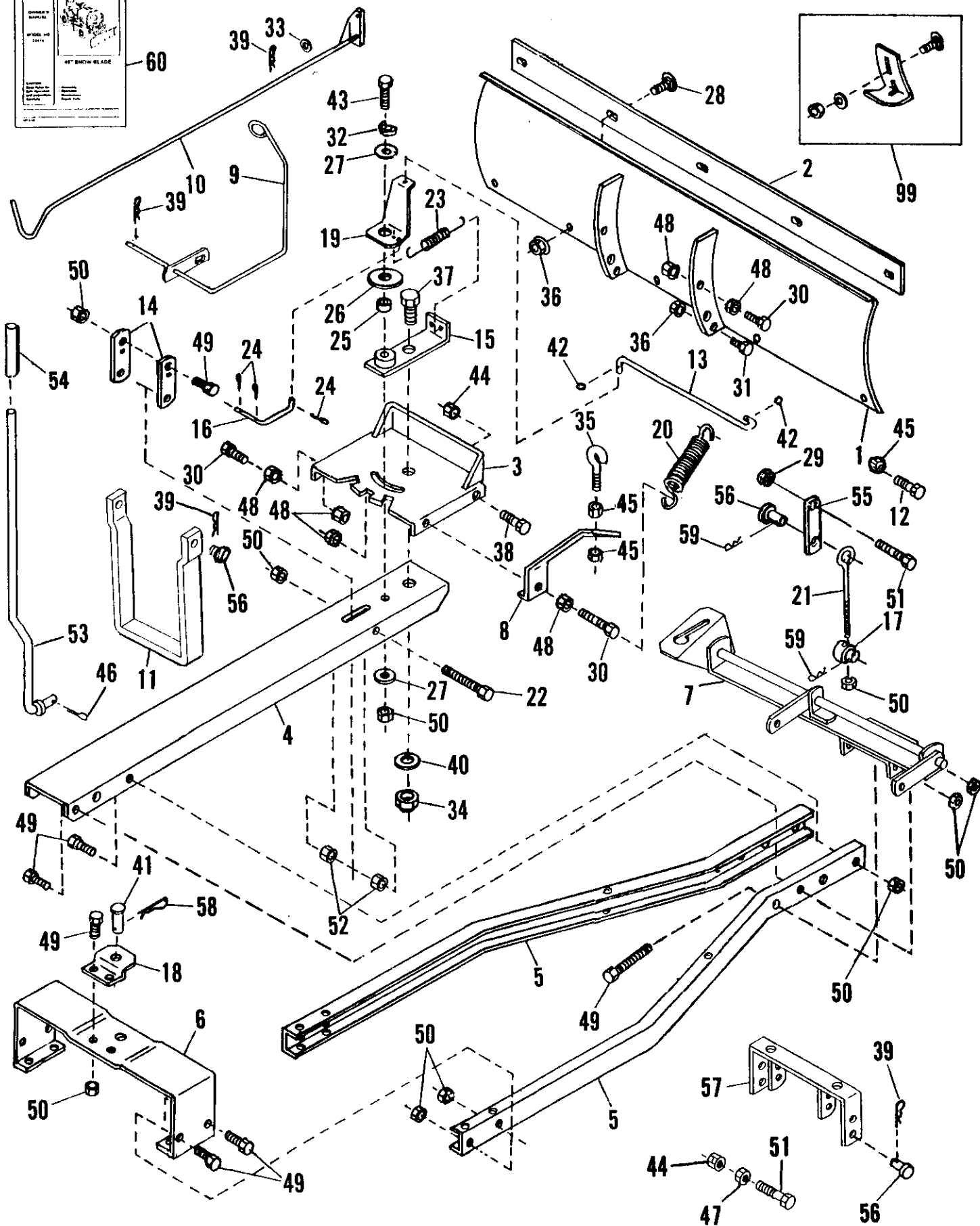


24476 & 24478

98-99
REPAIR PARTS



REPAIR PARTS

1. 22426	Blade.....	1	57. 24214	Stabilizer Bracket.....	1
2. 22428	Scraper.....	1	58. 3341	Pin - Hair Cotter Large.....	1
3. 22441	Pivot Plate.....	1	59. 3090	Pin - Hair Cotter Small.....	4
4. 23981	Thrust Channel.....	1	60. 24218	Manual - Owner's.....	1
5. 22432	Rear Channel.....	2			
6. 23489	Rear Bracket.....	1			
7. 23701	Lift Bracket.....	1			
8. 23712	Pivot Bracket.....	1			
9. 24216	Handle Support.....	1			
10. 23715	Control Handle.....	1			
11. 22893	Front Stabilizer.....	1			
12. 23740	Screw - ¼-20 Thread Forming.....	2			
13. 23714	Rod - Pivot Release.....	1			
14. 22748	Strap.....	2			
15. 22745	Pivot Bracket Reinforcement.....	1			
16. 23713	Rod Pivot Control.....	1			
17. 11424	Trunnion.....	2			
18. 22435	Bracket Rear Locating.....	1			
19. 23711	Bracket Pivot Release.....	1			
20. 4798	Spring - Return.....	2			
21. 22440	Lift Link 3/8-16 x 7.....	2			
22. 17504	Bolt- Full Thread Hex Head.....	1			
23. 20186	Spring - Release Return.....	1			
24. GM-103373*	Pin - Cotter.....	3			
25. 20342	Spacer.....	1			
26. 6979	Washer - Flat.....	1			
27. 4506	Washer - Flat.....	2			
28. 7953	Bolt - 5/16-18 x 3/4 Carriage.....	5			
29. GM-273802*	Nut - 5/16-18 Serrated Flange.....	2			
30. GM-180081*	Bolt - 5/16-18 x 1-1/4 Hex Head.....	4			
31. GM-180075*	Bolt - 5/16 x 5/8 Hex Head.....	2			
32. GM-120382*	Washer - 3/8 Medium Lock.....	1			
33. GM-120388*	Washer - 7/16 x 1" x .08.....	1			
34. 14847	Nut - 5/8-11 Nylock.....	1			
35. 22473	Eye-Bolt - 3/8-16 x 2".....	1			
36. 21363	Nut - 5/16-18 Hex Nylock.....	7			
37. GM-271548*	Bolt - 5/8-11 x 1-3/4 Hex Head.....	1			
38. GM-180175*	Bolt - 1/2-13 x 1-1/4 Hex Head.....	2			
39. 3430	Pin - Hair Cotter Medium.....	8			
40. GM-110962*	Washer - 21/32 x 1-5/16.....	1			
41. 3980	Pin - Hitch.....	1			
42. 5714	Spring Clip.....	2			
43. 6441	Bolt - 3/8-16 x 2 Full Thread.....	1			
44. GM-9414074*	Nut - 1/2-13 Hex Lock.....	4			
45. 4119	Nut - ¼-20 Hex Lock.....	2			
46. GM-120123*	Pin Cotter 1/8 x 1-1/4.....	1			
47. GM-120238*	Nut - ½-13 Hex Jam.....	2			
48. GM-271184*	Nut & Lock Washer Assy 5/16-18.....	8			
49. GM-180122*	Bolt - 3/8-16 x 1" Hex Head.....	13			
50. 21362	Nut - 3/8-16 Nylock.....	17			
51. GM-180179*	Bolt - ½-13 x 1-3/4 Hex Head.....	2			
52. GM-120377*	Nut - 3/8-16 Lt Hex.....	2			
53. 23709	Lift Handle.....	1			
54. 20170	Handle Grip.....	1			
55. 23719	Strap - Lift Anchor.....	2			
56. 8632	Pin - Weld.....	4			

*Standard Hardware, Purchased Locally

The following is optional – purchased separately.

99. 24250	Skid Shoe Kit.....	1
-----------	--------------------	---