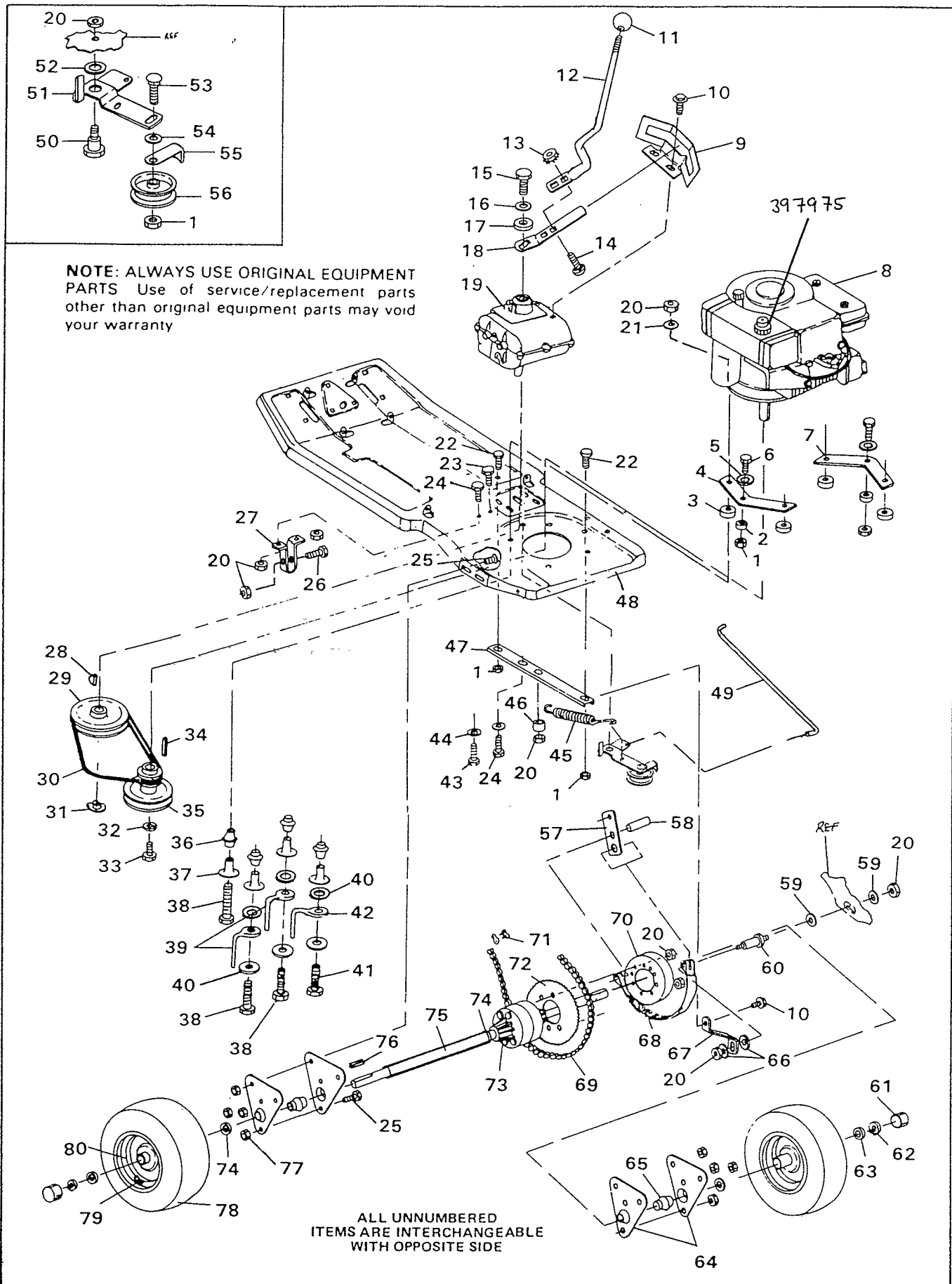


8-32 / 87

32" RIDING MOWER MODELS 3280-0200, 3280-0300 & 3280-0400



3595-1200

REPAIR PARTS

32" RIDING MOWER MODELS 3280-0200, 3280-0300 & 3280-0400

ALWAYS GIVE THE FOLLOWING INFORMATION WHEN ORDERING REPAIR PARTS:

1. The PART NUMBER; 2. The PART NAME; 3. QUANTITY DESIRED; 4. The MODEL NUMBER (As shown on Model Plate)

SEND PART ORDERS AS PER INSTRUCTIONS ON THE FRONT PAGE

YOUR UNIT IS RIGHT HAND (RH) OR LEFT HAND (LH) AS YOU STAND BEHIND IT.

DO NOT USE KEY NUMBERS WHEN ORDERING REPAIR PARTS, ALWAYS USE PART NUMBERS.

All replacement parts will be supplied in current production colors or in a neutral color.

A handling fee is applicable to small parts orders.

Key No.	Part No.	Description
1	9413534	Locknut, 3/8-16 Thd.
2	44462	Spacer
3	44015	Mount, Rubber, Upper
4	43955	Bracket, Vibration, L.H.
5	138489	Lockwasher, Ext. 3/8 In.
6	122145	*Screw, Hex Hd, 3/8-16 x 1 1/4 In.
7	43954	Bracket, Vibration, R.H.
8	Engine	§See Footnote Below
9	55453	Quadrant
10	35497	Screw, Taptite, 5/16-18 x 1/2 In.
11	42860	Knob, Shift Lever
12	55443	Lever, Shift
13	271172	Nut, Keps, 1/4-20 Thd.
14	126203	Carriage Bolt, 1/4-20 x 3/8 In.
15	54686	Screw, Nylock, 1/2-28 x 3/4 In.
16	9421393	*Flatwasher, 9/32 In.
17	50618	Spacer
18	55446	Plate, Spring
19	Transmission	†Peerless, Model 776
20	9413447	Locknut, 5/16-18 Thd.
21	120638	*Lockwasher, Split, 5/16 In.
22	122119	*Screw, Hex Hd, 3/8-16 x 3/4 In.
23	120228	Screw, Hex Hd, 5/16-18 x 3/8 In.
24	122017	Screw, Hex Hd, 5/16-18 x 1 In.
25	126211	*Carriage Bolt, 5/16-18 x 3/8 In.
26	122027	*Screw, Hex Hd, 5/16-18 x 1 1/4 In.
27	55451	Guide, Mower Deck
28	3021	Key, Woodruff No. 606
29	55455	Pulley, Transmission
30	55450	V-Belt
31	22053	Retaining Ring
32	120383	*Lockwasher, Split, 7/16 In.
33	123567	*Screw, Hex Hd, 7/16-20 x 1 In.
34	33200	Key, Square, 1/4 x 1/4 x 1 1/2 In.
35	51882	Pulley, Engine
36	44016	Mount, Rubber, Lower
37	42273	Insert, Steel, Vibration Mount
38	180112	*Screw, Hex Hd, 5/16-18 x 2 3/4 In.
39	44739	Belt Guide
40	446363	*Flatwasher, 3/8 In.
41	39728	Screw, Taptite, 3/8-16 x 3/4 In.

Key No.	Part No.	Description
42	55488	Belt Guide
43	122007	*Screw, Hex Hd, 5/16-18 x 3/4 In.
44	138485	Washer, Shakeproof, 5/16 In.
45	35410	Spring, Idler
46	21882	Spacer
47	55464	Channel, Stiffener
48	55548	Main Frame
49	55461	Clutch Rod
50	41890	Shoulder Bolt
51	55467	Arm, Idler
52	48253	Flatwasher, 5/8 In.
53	45892	Carriage Bolt, 3/8-16 x 1 1/2 In.
54	274517	*Flatwasher, 13/32 In.
55	39659	Retainer, Belt
56	35374	Pulley, Idler
57	55448	Brake Arm
59	120386	*Flatwasher, 5/16 In.
60	55447	Pin, Brake Anchor
61	40394	Hub Cap, Rear
62	36625	*Retaining Ring
63	42815	Flatwasher, 3/4 In.
64	47596	Bracket, Bearing Retainer
65	35345	Bearing, Self-Aligning
66	25840	Spring Washer
67	55463	Brace, Brake Pin
68	55449	Band, Brake
69	55491	Chain Assembly
70	54952	Drum, Brake
71	20307	Link, Connector
72	55456	Sprocket, 45 Tooth
73	55458	Differential
74	642	Flatwasher, 3/4 In.
75	52823	Spacer, Differential
76	39628	Key, Square
77	271184	*Nut, Keps, 5/16-18 Thd.
78	41081	Tire, Rear
79	24167	Valve Stem
80	36182	Wheel, Rear
81	62875	Owner's Manual (Not Illustrated)

8329999 Beilag for Bagaksel

*Standard Hardware Items - May Be Purchased Locally.

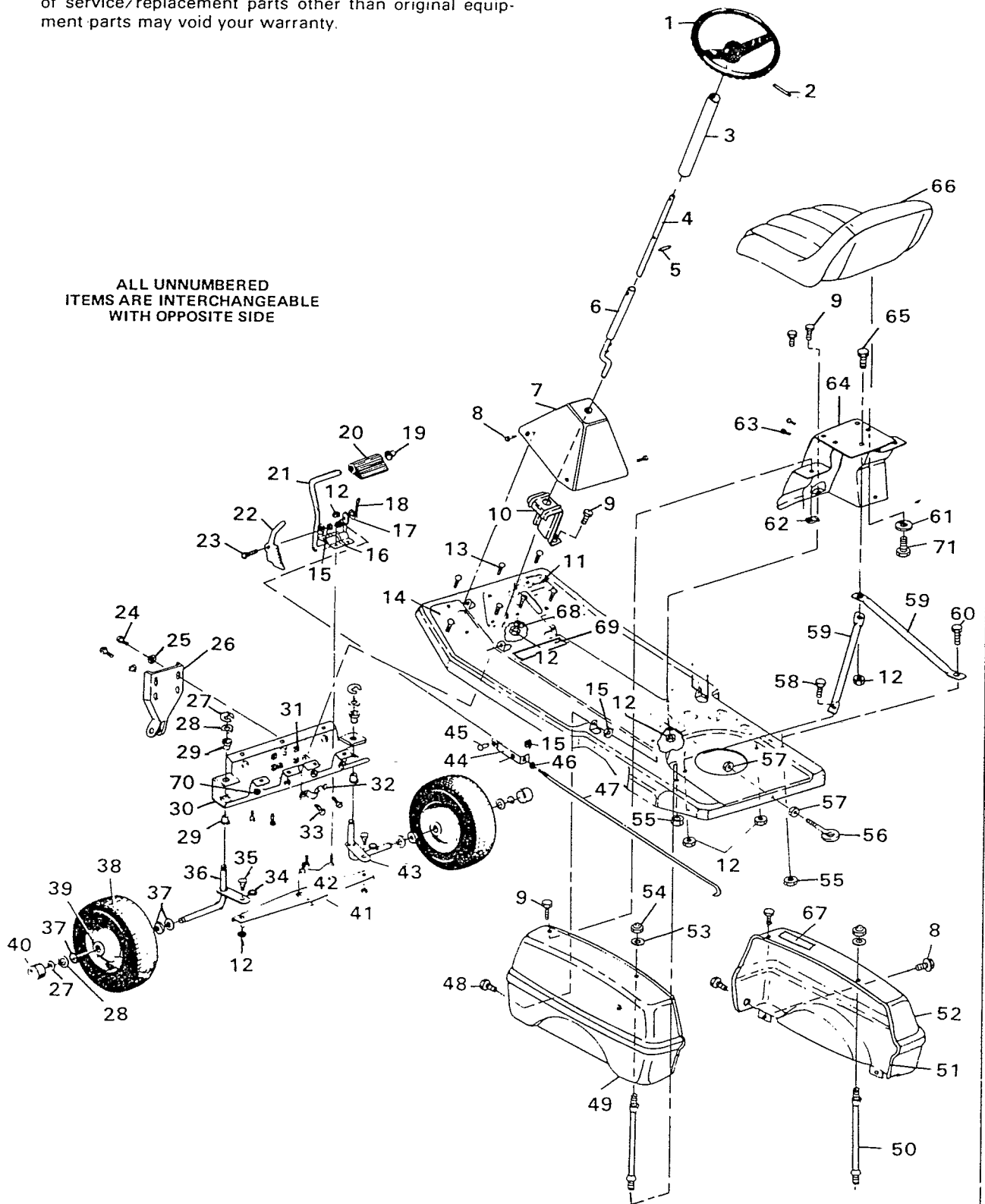
†Contact Tecumseh/Peerless authorized service dealer for parts and warranty.

§Contact Engine Manufacturer's authorized service dealer (See Engine Manual) for parts and warranty.

32" RIDING MOWER MODELS 3280-0200, 3280-0300 & 3280-0400

NOTE: ALWAYS USE ORIGINAL EQUIPMENT PARTS. Use of service/replacement parts other than original equipment parts may void your warranty.

ALL UNNUMBERED ITEMS ARE INTERCHANGEABLE WITH OPPOSITE SIDE



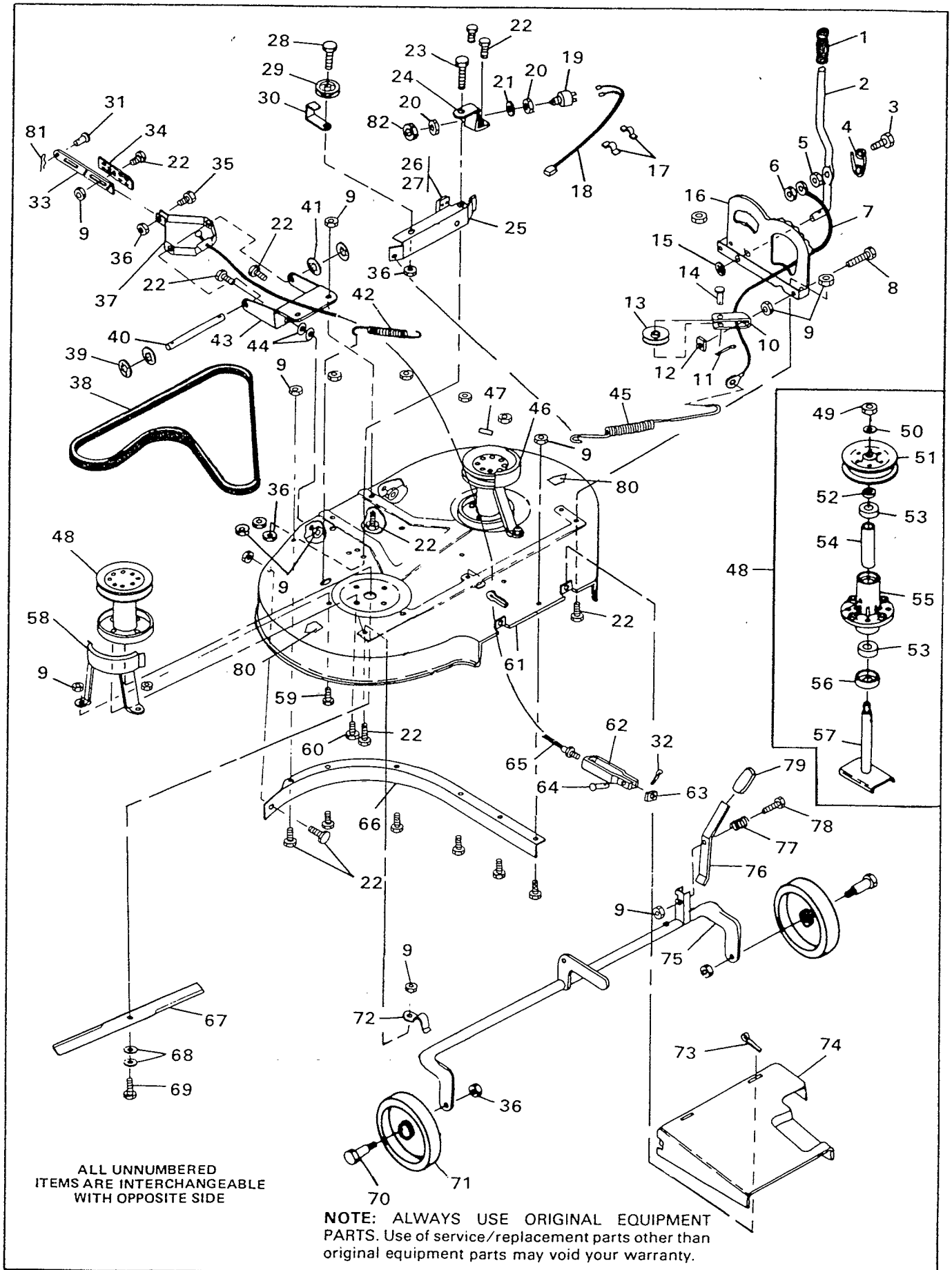
32" RIDING MOWER MODELS 3280-0200, 3280-0300 & 3280-0400

Key No.	Part No.	Description
1	52955	Wheel, Steering
2	456836	Roll Pin, 1/4 x 2 1/4 In.
3	51858	Tube, Steering Decorative
4	52952	Shaft, Steering
5	9417375	Pin, Spiral, 3/16 x 1 1/4 In.
6	52953	Shaft, Steering
7	55454	Console Assembly
8	40886	*Screw, Taptite, 1/4-20 x 3/8 In.
9	48901	Screw, Hex Hd, 5/16-18 x 5/8 In.
10	55445	Support, Steering
11	55490	Pad, Footrest, R.H.
12	9413447	Locknut, 5/16-18 Thd
13	126211	*Carriage Bolt, 5/16-18 x 5/8 In.
14	55489	Pad, Footrest, L.H.
15	9424215	Locknut, 1/4-20 Thd
16	44112	Bracket, Clutch/Brake
17	120393	*Flatwasher, 11/32 In.
18	8260	Hairpin Cotter
19	44582	Nut, Push, 7/16 In.
20	52840	Pad, Clutch/Brake Pedal
21	51833	Lever Assembly, Clutch/Brake
22	47601	Lever, Parking Brake
23	3275	Shoulder Bolt
24	122119	*Screw, Hex Hd, 3/8-16 x 3/4 In.
25	120394	*Flatwasher, 13/32 In.
26	47632	Bracket, Deck Hanger
27	20859	Retaining Ring
28	4107	Flatwasher, 5/8 In.
29	44111	Bearing, Flange
30	55466	Axle Assembly, Front
31	9413534	Locknut, 3/8-16 Thd
32	51805	"U" Bracket, Steering Shaft
33	35497	Screw, Taptite, 5/16-18 x 1/2 In.
34	3140	Wave Washer
35	46511	Shoulder Bolt
36	47595	Spindle, L.H.

Key No.	Part No.	Description
37	40677	Flatwasher, 5/8 In.
38	53618	Wheel & Tire Assy. w/Bearing
39	53619	Bearing, Front Wheel
40	36832	Hub Cap, Front
41	44151	Link, Steering
42	120228	*Screw, Hex Hd, 5/16-18 x 5/8 In.
43	47594	Spindle, R.H.
44	55460	Bracket, Clutch Rod
45	39522	Pin, Clevis
46	271172	*Nut, Keps, 1/4-20 Thd
47	55462	Brake Rod
48	48900	Screw, Taptite, 1/4-20 x 1 In.
49	55469	Fender, L.H.
50	55614	Rod, Fender Support
51	55022	Edging, Fender
52	55468	Fender, R.H.
53	120393	*Flatwasher, 11/32 In.
54	55623	Nut, Acorn, 5/16-18 Thd
55	271184	*Nut, Keps 5/16-18 Thd
56	44121	Eye Bolt, 3/8-16 x 3 1/2 In.
57	120377	*Nut, Hex, 3/8-16 Thd
58	122007	*Screw, Hex Hd, 5/16-18 x 3/4 In.
59	52845	Support, Seat
60	122027	*Screw, Hex Hd, 5/16-18 x 1 1/4 In.
61	120638	*Lockwasher, Split, 5/16 In.
62	44572	Clip, Tinnerman, 5/16-18 Thd
63	35287	Screw, Taptite, No. 8-32 x 3/8 In.
64	52023	Support, Seat
65	122017	*Screw, Hex Hd, 5/16 x 1 In.
66	52656	Seat
67	70101	Decal, Shift Pattern
68	120386	*Flatwasher, 5/16 In.
69	70117	Decal, Caution
70	45174	Locknut, Wide Flange, 5/16-18
71	120834	*Screw, Hex Hd, 5/16-18 x 1/2 In.

*Standard Hardware Items - May Be Purchased Locally.

32" RIDING MOWER MODELS 3280-0200, 3280-0300 & 3280-0400



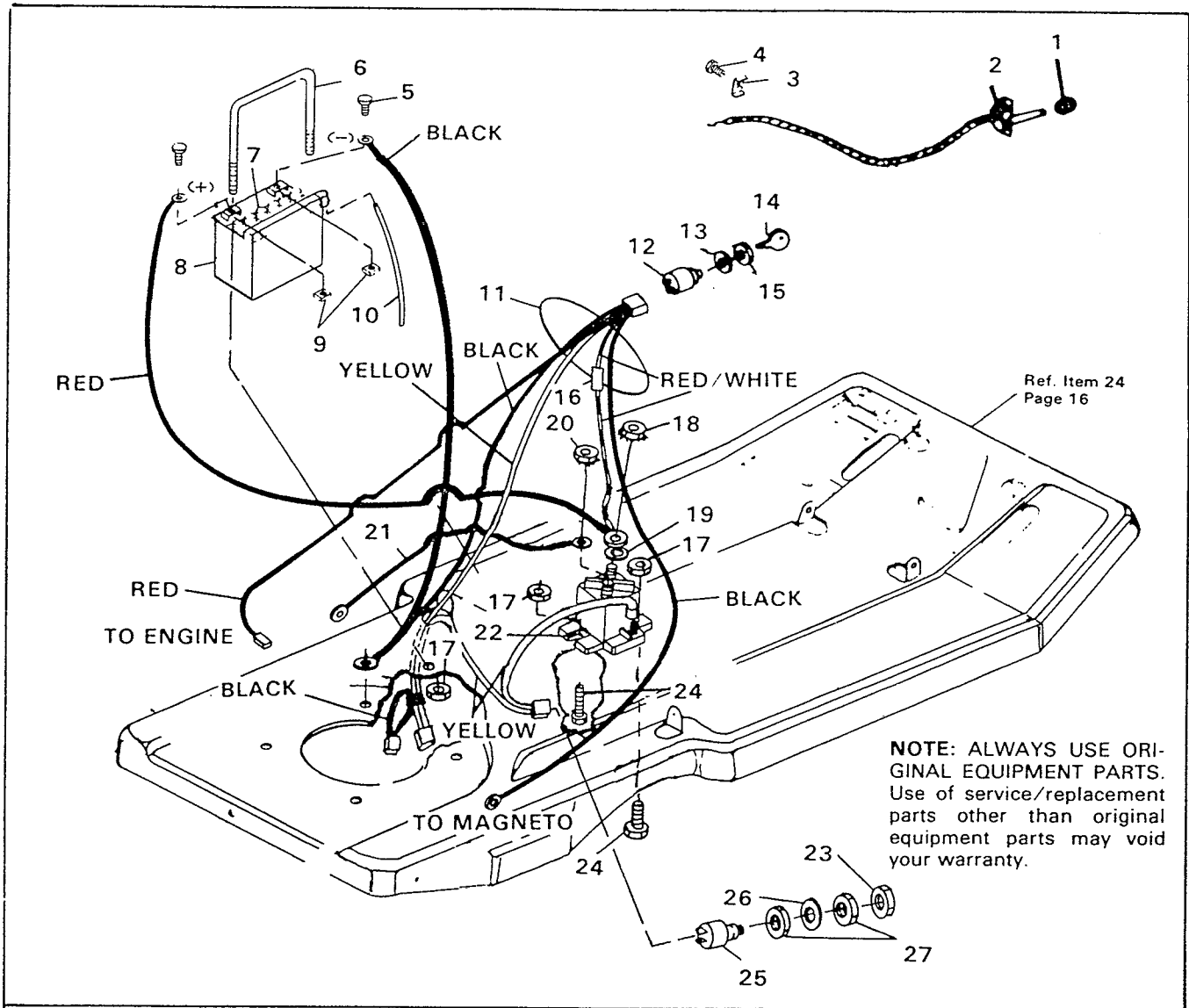
32" RIDING MOWER MODELS 3280-0200, 3280-0300 & 3280-0400

Key No.	Part No.	Description
1	46478	Grip, Clutch Lever
2	53885	Lever, Clutch
3	53901	Screw, Special, ¼-20 x 1½ In.
4	46561	Spring, Clutch Lever
5	271172	*Nut, Keps, ¼-20 Thd
6	9424215	Locknut, ¼-20 Thd
7	51875	Cable, Clutch Spring
8	50083	Screw, Hex Hd, 5/16-18 x 3½ In.
9	9413447	Locknut, 5/16-18 Thd
10	52243	Support, Cable Pulley
11	121222	*Cotterpin, 3/32 x ¾ In.
12	120373	*Nut, Square, 5/16-18 Thd.
13	39298	Pulley, Cable
14	49332	Pin, Clevis
15	53697	Push Nut, ½ In.
16	53247	Quadrant
17	41482	Wire Clip, Press
18	43038	Wire Assembly
19	41204	Switch, Safety
20	45877	Nut, Safety Switch
21	45878	Lockwasher, Safety Switch
22	120228	*Screw, Hex Hd, 5/16-18 x 5/8 In.
23	47516	Shoulder Bolt
24	47517	Bracket, Idler Arm
25	47592	Idler Arm Assy. (Includes 23 & 24)
26	41601	Rivet
27	47791	Brake Pad
28	122168	*Screw, Hex Hd, 3/8-16 x 1¾ In.
29	52694	Pulley, Idler
30	52695	Belt Retainer
31	47816	Pin, Clevis
32	8260	Hairpin Cotter
33	49059	Bar, Hitch
34	49058	Bracket, Bar Hitch Lock
35	120918	*Screw, Hex Hd, 3/8-16 x 1½ In.
36	9413534	Locknut, 3/8-16 Thd
37	50613	Bracket, Pivot
38	47611	V-Belt
39	20864	"E" Ring
40	55724	Pin, Pivot
41	996425	*Flatwasher, 33/64 In.

Key No.	Part No.	Description
42	35410	Spring, Idler
43	48676	Plate, Lift Support
44	996416	*Flatwasher, 25/64 In.
45	51841	Spring, Clutch
46	47633	Pulley Cover, R.H.
47	67475	Decal, Height Adjust
48	56283	Quill Assembly
49	51445	Locknut, Flange, 7/16-20 Thd
50	56365	Flatwasher
51	56391	Pulley
52	56280	Spacer
53	49562	Bearing
54	50818	Spacer Tube
55	55547	Quill Housing
56	50616	Dust Shield
57	56623	Saddle & Shaft Assenbly
58	47353	Pulley Cover, L.H.
59	122017	*Screw, Hex Hd, 5/16-18 x 1 In.
60	50634	Screw, Taptite, 5/16-18 x 7/8 In.
61	47223	Mower Deck
62	39404	Clevis, Lift Cable
63	120372	*Nut, Square, ¼-20 Thd
64	39522	Pin, Clevis
65	53037	Lift Cable Assembly
66	47354	Baffle, L.H.
67	56820	Blade, 16 In.
68	2483	Washer, Spring
69	39573	Screw, Hex Hd, 3/8-24 x 1 In.
70	23763	Axle, Wheel
71	52584	Wheel
72	51985	Support, Pivot Tube
73	120123	*Cotterpin, 1/8 x 1¼ In.
74	54527	Chute Extension
75	52612	Pivot Tube Assembly
76	46358	Lever, Height Adjust
77	120696	*Screw, Hex Hd, 5/16-18 x 2¼ In.
78	53246	Spring
79	20250	Grip, Height Adjust Lever
80	68547	Decal, Caution
81	56180	Hairpin Cotter
82	56635	Nut, Hex, 15/32-32

*Standard Hardware Items - May Be Purchased Locally.

32" RIDING MOWER MODELS 3280-0200, 3280-0300 & 3280-0400



Key No.	Part No.	Description
1	39486	Knob, Throttle Control
2	52056	Throttle Control
3	27521	Clip, Throttle Control
4	995363	*Screw, Hex Hd, No. 10-32 x 5/8 In.
5	55529	Screw, Special
6	55471	Bracket, Battery
7	55670	Cap, Battery
8	55472	Battery
9	55530	Nut
10	55636	Tube, Battery Vent
11	55470	Wire Harness Assembly
12	44745	Ignition Switch
13	138557	Lockwasher (Ignition Switch Part)
14	49643	Key, Ignition

Key No.	Part No.	Description
15	48140	Nut (Ignition Switch Part)
16	49211	Fuse
17	9424215	Locknut, 1/4-20 Thd
18	271187	*Nut, Keps, 5/16-24 Thd
19	138485	Washer, Shakeproof, 5/16 In.
20	271172	*Nut, Keps, 1/4-20 Thd
21	51903	Wire Assembly
22	53716	Solenoid
23	56635	Nut, Hex, 15/32-32
24	187745	*Screw, Hex Hd, 1/4-20 x 3/4 In.
25	41204	Switch, Safety
26	45878	Lockwasher (Safety Switch Part)
27	45877	Nut (Safety Switch Part)

*Standard Hardware Items - May Be Purchased Locally.