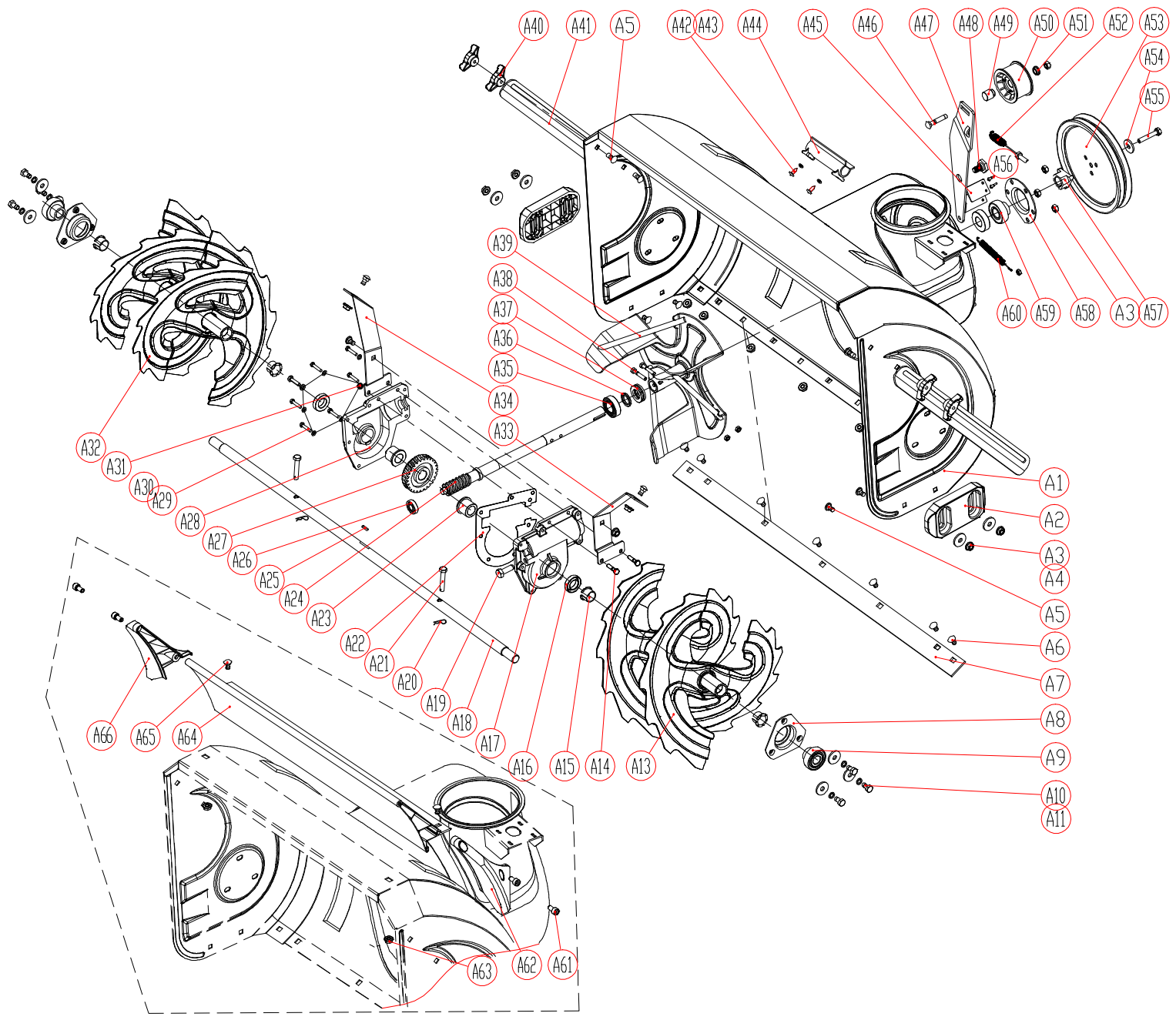
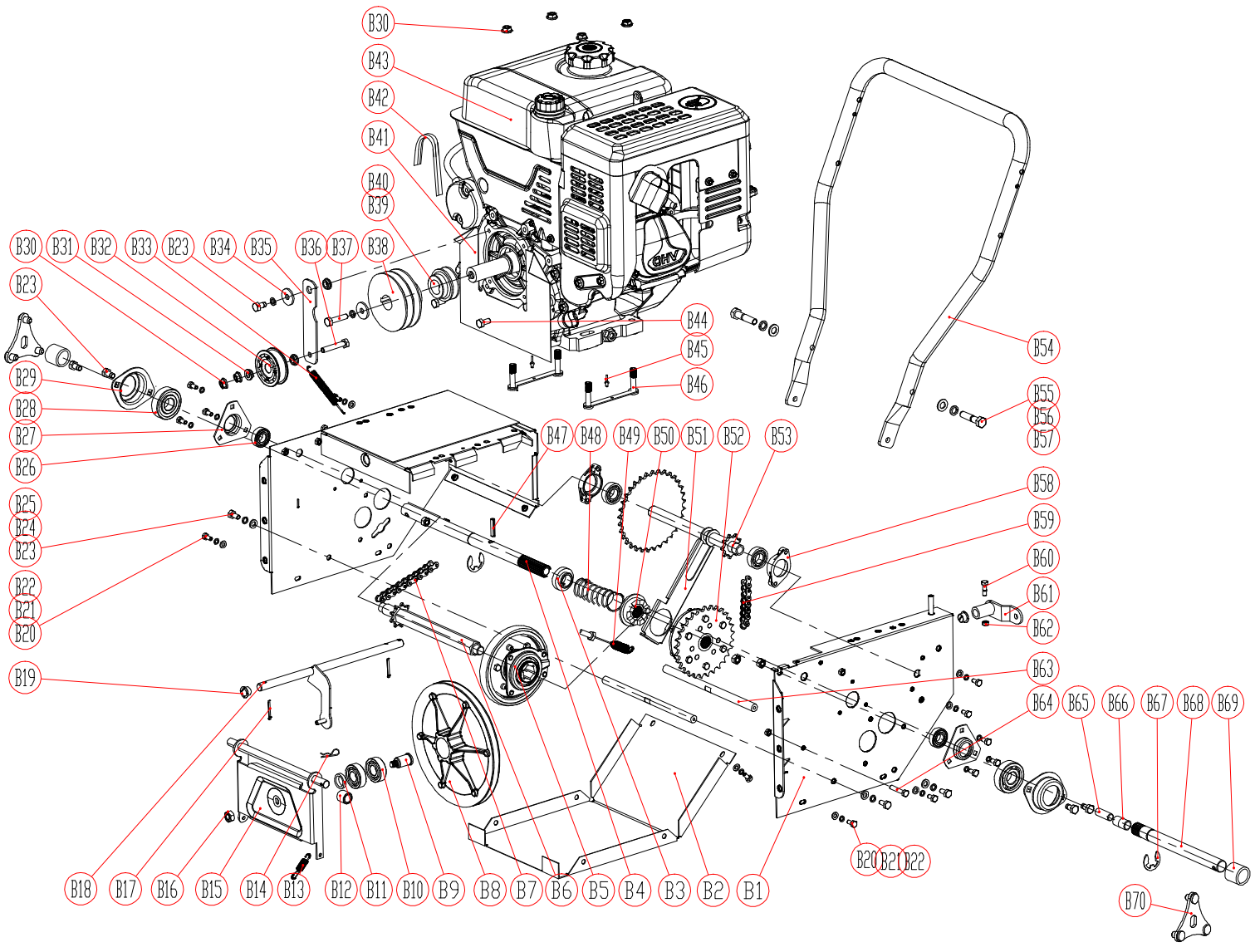


POS	QTY	PARTNUMBER	BESKRIVELSE	DESCRIPTION
D1	9	420614	LÅSEMØTRIK M8	HEX FLANG LOCK NUT
D2	1	420687	KARDANLED	RIGHT ANGLE GIMBAL
D3	1	420688	MØTRIK M8X1	HEXAGON NUTS,STYLE WITH FINE PITCH THREA
D4	1	420836	GEAR STANG	CONNECTING ROD
D5	4	420660	BØS	PLASTIC NUT HOUSING
D6	4	420690	VINGEMØTRIK	PLASTIC NUT
D7	2	420837	BESLAG FOR STYR	ARMREST PADS
D8	4	420692	BRÆDDEBOLT M8X75	CARRIAGE BOLT M8X75
D9	1	420693	BESLAG	BRACKET
D10	5	420621	BOLT M6X12	BOLTM6X12
D11	5	420530	PLANSKIVE M6	FLAT WASHER 6
D12	5	420703	FJEDERSKIVE M6	SPRING WASHER 6
D13	1	420838	DÆKSEL	BELT COVER
D14	1	420559	ARM	BELT BAFFLE
D15	1	420557	BOLT M8X20	HEXAGON HEAD SCREWS M8X20
D16	1	420565	SKIVE M8	BIG WASHER8
D17	1	420839	UDKASTER RØR	CHUTE ASSEMBLY
D18	1	420696	FJEDER	CHUTE SPRING
D19	2	420700	BRÆDDEBOLT M8X16	CARRIAGE BOLTM8X16
D20	2	420699	SKIVE	PLASTIC PAD
D21	1	420840	BOLT	BOLT
D22	1	420534	KABEL	PULL WIRE FOR CHUTE CAP
D23	1	420841	UDKASTER SKÆRM	CHUTE CAP ASSEMBLY
D24	1	420552	SKOVL	SNOW REMOVAL TOOL
D25	1	420704	BESLAG	GUARD RAIL
D26	1	420705	HÆTTE M6	MONOLITHIC CLOSURE CAP 6
D27	1	420702	JUSTERSTYKKE	ROTATE
D28	1	420842	SKRUE	HEXAGON SOCKET SET SCREWS WITH FLAT POIN
D29	6	420553	MØTRIK M6	HEXAGON NUTS(WITH NON-METALLIC INSERT)M6
D30	6	420843	BOLT M6X12	CROSS RECESSED RAISED HEAD BOLT M6X12
D31	3	420555	BESLAG	FIXED BLOCK
D32	2	420844	KILEREM	BELT



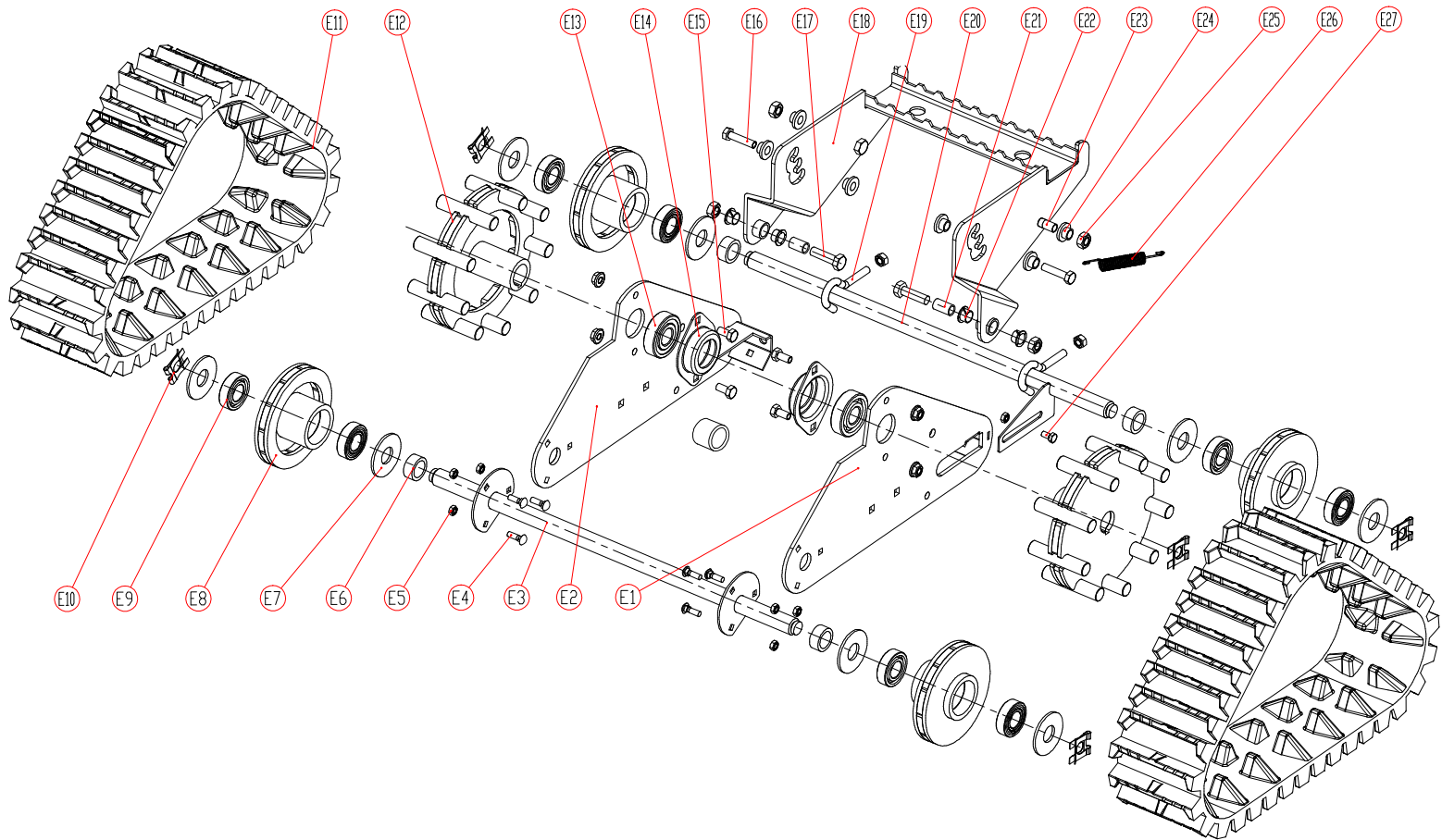
POS	QTY	PARTNUMBER	BESKRIVELSE	DESCRIPTION
A1	1	420845	CHASSIS	HOUSING ASSEMBLY
A2	2	420566	SLÆBESKO	SLIDE SHOE
A3	18	420614	LÅSEMØTRIK M8	HEX FLANG LOCK NUT
A4	10	420708	SKIVE M8	BIG WASHER8
A5	8	420546	BOLT M8X20	CARRAGE BOLTM8X20
A6	1	420567	BRÆDDEBOLT M8X15	CARRIAGE BOLTM8X15
A7	1	420846	BUNDBESLAG	SHAVE PLATE
A8	2	420710	NAV	BEARING COVER
A9	2	420711	LEJE	BEARING
A10	6	420569	BOLT M8X15	BOLT M8X15
A11	6	420712	FJEDERSKIVE M8	SPRING WASHER 8
A13	1	420847	SNEGL HØJRE	AUGER RIGHT
A14	2	420714	BOLT M6X30	HEXAGON HEAD BOLT M6X30
A15	4	420715	BØS	SMALL BUSHING
A16	2	420575	PAKDÅSE 19X30X7	FW OUTER SEALING RING
A17	1	420848	HUS TIL GEAR HØJRE	WORM HOUSING RIGHT
A18	1	420849	AKSEL 740	OUTPUT SHAFT(740)
A19	1	420850	FLANGEBOLT M10X20	HEX FLANG BOLTM10X20
A20	2	420529	FJEDERSPLIT	INDIVIDUA PEN PINCHCOCK
A21	2	420719	SIKKERHEDSBOLT	SAFETY SCREW
A22	1	420851	PAKNING	PAPER WASHER
A23	2	420721	KRAVE C19	OUTPUT SHAFT SLEEVE C19
A24	1	420852	AKSEL	WORM SHAFT
A25	1	420853	NOT B6X6X18	PARALLEL KEYB6X6X18
A26	1	420635	KUGLELEJE	BALL BEARING6203-2RZ
A27	1	420854	GEARHJUL	WORM GEAR
A28	1	420855	HUS VENSTRE	WORM HOUSING LEFT
A29	7	420726	BOLT M6X20	HEXAGON HEAD BOLTM6X20
A30	7	420703	FJEDERSKIVE M6	SPRING WASHER 6
A31	5	420553	MØTRIK M6	HEXAGON NUTS(WITH NON-METALLIC INSERT)M6
A32	1	420856	SNEGL VENSTRE	AUGER LEFT
A33	1	420728	BESLAG HØJRE	BRACKET RIGHT
A34	1	420729	BESLAG VENSTRE	BRACKET LEFT
A35	1	420857	KUGLELEJE 6004	BEARING6004
A36	1	420858	BØS	BUSHING
A37	1	420859	LEJE 51104	BEARING51104
A38	2	420591	BOLT M6X35	HEXAGON HEAD BOLT M6X35
A39	1	420595	BLÆSEHJUL	FAN
A40	3	420690	VINGEMØTRIK	PLASTIC NUT
A41	2	420732	SKÆRM	HOUSING STRUT
A42	2	420860	SKRUE ST4.2X13	PAN HEAD TAPPING SCREWS WITH CROSS RECES
A43	2	420530	PLANSKIVE M6	FLAT WASHER 6
A44	1	420734	BESLAG FOR SKOVL	BRACKET FOR SNOW REMOVAL TOOL
A45	1	420861	BESLAG	SHAVE PLATE
A46	1	420736	BRÆDDEBOLT M8X40	CARRIAGE BOLTM8X40
A47	1	420862	MONTERINGSPLADE	FIXED PLATE
A48	1	420820	KABEL	AUGER PULL WIRE
A49	1	420739	BØS	PAD

POS	QTY	PARTNUMBER	BESKRIVELSE	DESCRIPTION
A50	1	420740	STRAMMERULLE	BIG TENSION PULLEY
A51	1	420642	PAKNING	PAD
A52	1	420741	KABEL	AUGER PULL WIRE
A53	1	420863	REMHJUL	BELT PULLEY
A54	1	420558	SKIVE M8	BIG WASHER8
A55	1	420864	BOLT M8X40	HEX HEAD BOLT, LEFT M8X40
A56	2	420744	NITTE 4X10	OPEN TYPE BLIND RIVET4X10
A57	1	420602	AKSEL	PULLY SHAFT
A58	1	420746	NAV	BEARING COVER
A59	1	420599	KUGLELEJE	BALL BEARING
A60	1	420747	FJEDER	SPRING5
A61	4	420865	UNBRAKOBOLT M8X16	HEXAGON SORKET CAP SCREWM8X16
A62	1	420748	SKÆRM HØJRE	RIGHT COVER OF HIGH PANEL
A63	2	420614	LÅSEMØTRIK M8	HEX FLANG LOCK NUT
A64	1	420866	PANEL	HIGHER PANEL
A65	2	420546	BOLT M8X20	CARRAGE BOLTM8X20
A66	1	420750	SKÆRM VENSTRE	LEFT COVER OF HIGHER PANEL

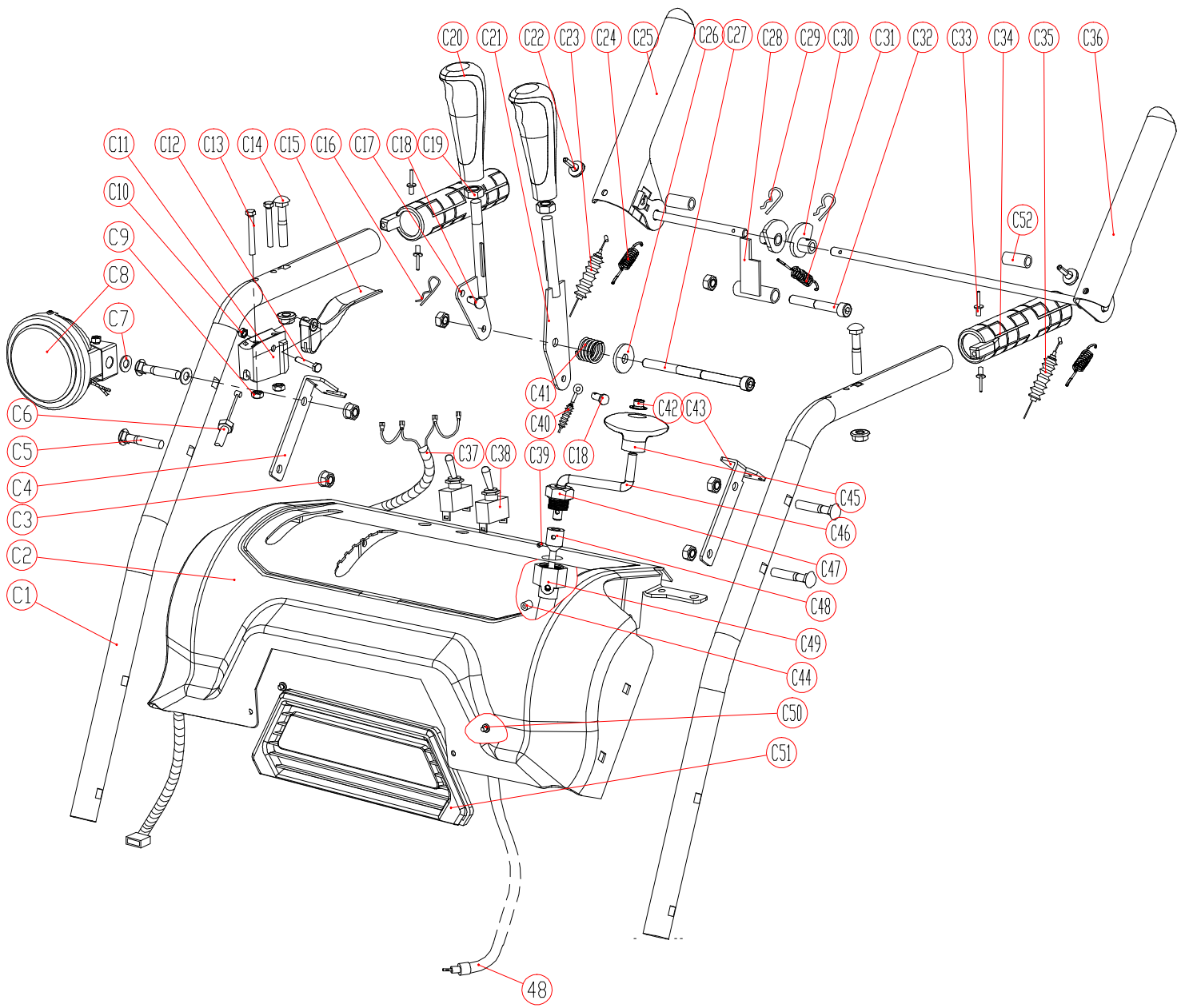


POS	QTY	PARTNUMBER	BESKRIVELSE	DESCRIPTION
B1	1	420867	CHASSIS	BOXBODY
B2	1	420869	SKJOLD	COVER, FRAME
B3	1	420870	LEJE	RING
B4	1	420928	AKSEL	SEMI-MAJOR AXIS
B5	1	420872	GEARHJUL	CHANGE PULLEY ASSEMBLY
B6	1	420873	AKSEL	HEXAGON AXLE
B7	1	420911	KÆDE	ROLLER CHAIN
B8	1	420874	REMHJUL	FRICITION PULLEY
B9	1	420875	AKSEL	TRANSMISSION BELT SHAFT
B10	4	420876	LEJE 6003	BEARING
B11	1	420877	SKIVE	SHAFT WASHER
B12	1	420878	AFSTANDSBØS	SPACER
B13	1	420879	FJEDER	SPRING6
B14	1	420529	FJEDERSPLIT	INDIVIDUA PEN PINCHCOCK
B15	1	420880	BESLAG	BELT PULLEY BRACKET
B16	1	420881	LÅSEMØTRIK	HEX LOCK NUT WITH NOMENTAL INSERTM10
B17	2	420882	RØRSTIFT 2,5X25	COTTER PIN2.5X25
B18	1	420883	GEARARM	SHIFTING FORK
B19	2	420617	PROP	PLASTIC BEARING COVER
B20	16	420621	BOLT M6X12	BOLTM6X12
B21	10	420530	PLANSKIVE M6	FLAT WASHER 6
B22	16	420703	FJEDERSKIVE M6	SPRING WASHER 6
B23	9	420615	BOLT M8X16	HEXAGON HEAD BOLT M8X16
B24	5	420712	FJEDERSKIVE M8	SPRING WASHER 8
B25	4	420562	PLANSKIVE M8	FLAT WASHER8
B26	2	420884	LEJE 6002	BEARING
B27	2	420885	KUGLELEJE	TRIANGLE BEARING HOUSING
B28	2	420886	LEJE 6205	BEARING
B29	2	420887	HUS	RHOMBUS BEARING HOUSING
B31	2	420642	PAKNING	PAD
B32	1	420643	STRAMMERULLE	SMALL TENSION PULLEY
B33	1	420888	FJEDER	SPRING
B34	2	420558	SKIVE M8	BIG WASHER8
B35	1	420889	ARM	SMALL TENSION PLATE
B36	1	420890	BOLT M8X45	HEXAGON HEAD BOLT M8X45
B37	1	420891	BOLT M8X35	HEXAGON HEAD BOLT M8X35
B38	1	420892	REMHJUL	SMALL BELT PULLEY
B39	1	420893	REMHJUL	BELT PULLEY1
B40	1	420894	REMHJUL	BELT PULLEY2
B41	1	420895	BØS	BUSHING FOR DRIVING SHAFT
B42	1	420896	TRÆKREM	BELT
B44	2	420897	BOLT M8X10	HEX HEAD BOLT M8X10
B45	2	420744	NITTE 4X10	OPEN TYPE BLIND RIVET4X10
B46	1	420898	U-BOLT	TWIN BOLT
B47	1	420589	FJEDER M6X30	SPRING BOLT6X30
B48	1	420899	FJEDER	BIG SPRING
B49	1	420900	KABEL	WIRE

POS	QTY	PARTNUMBER	BESKRIVELSE	DESCRIPTION
B50	1	420901	KOBLING	AUXILIARY CLUTCH
B51	1	420902	KOBLINGSARM	CLUTCH FORK
B52	1	420903	DIFFERENTIALE	DIFFERENTIAL
B53	1	420904	AKSEL	SHAFT ASSEMBLY
B54	1	420905	STYRRØR NEDRE	HANDLE LOWER
B55	2	420906	BOLT M10X45	HEX HEAD BOLTM10X45
B56	2	420907	FJEDERSKIVE	SPRING WASHER 10
B57	2	420908	PLANSKIVE M10	FLAT WASHER10
B58	2	420910	LEJE	BERING PEDESTAL
B59	1	420911	KÆDE	ROLLER CHAIN
B60	1	420714	BOLT M6X30	HEXAGON HEAD BOLT M6X30
B61	1	420912	BESLAG	GEAR CONNECTOR
B62	2	420881	LÅSEMØTRIK	HEX LOCK NUT WITH NOMENTAL INSERTM10
B63	2	420868	STANG	STRUT BAR
B64	1	420591	BOLT M6X35	HEXAGON HEAD BOLT M6X35
B65	1	420913	AKSEL	CORE SHAFT
B66	3	420914	KRAVE	SHAFT SLEEVE
B67	2	420930	HESTESKOSIKRING M17	SPLIT WASHER 17
B68	1	420931	AKSEL	SEMIAXIS
B69	2	420932	BØS	PEDRAIL DRIVE BUSHING
B70	2	420933	BESLAG	TRIANGLE CONNECTORS



POS	QTY	PARTNUMBER	BESKRIVELSE	DESCRIPTION
E1	1	420934	BESLAG VENSTRE	PEDRAIL BRACKET, LEFT
E2	1	420935	BESLAG HØJRE	PEDRAIL BRACKET, RIGHT
E3	1	420936	AKSEL	FRONT PEDRAIL SHAFT
E4	6	420937	BRÆDDEBOLT M6X15	CARRIAGE BOLT M6X15
E5	7	420553	MØTRIK M6	HEXAGON NUTS(WITH NON-METALLIC INSERT)M6
E6	4	420938	BØS	SHAFT BUSHING
E7	8	420939	SKIVE	BIG WASHER
E8	4	420940	STRAMMERULLE	IDLER PULLEY
E9	8	420941	KUGLELEJE	BALL BEARING
E10	5	420942	FJEDERSKIVE	SPRING SHIELD
E11	2	420943	BÆLTE	PEDRAIL
E12	2	420944	STRAMMERULLE	PEDRAIL PULLEY
E13	2	420945	KUGLELEJE 6025-2RS	BALL BEARING
E14	2	420946	HUS	RHOMBUS BEARING HOUSING
E15	4	420569	BOLT M8X15	BOLT M8X15
E16	2	420947	BOLT M10X35	HEXAGON HEAD BOLT M10X35
E17	2	420948	BOLT M10X40	HEXAGON HEAD BOLT M10X40
E18	1	420949	FODPEDAL	PEDAL ASSEMBLY
E19	2	420950	KROG	HOOK
E20	1	420951	AKSEL	BACK PEDRAIL SHAFT
E21	2	420952	BØS	BUSHING, MIDDLE
E22	4	420953	BØS PLASTIK	PLASTIC BUSHING
E23	2	420909	BOLT M10X25	HEX HEAD BOLT M10X25
E24	6	420954	KRAVE	PAD
E25	4	420955	LÅSEMØTRIK M10	PREVAILING TORQUE TYPE HEXAGON NUTS(WITH
E26	2	420956	FJEDER	OFFSETTING SPRING
E27	1	420957	BOLT M6X15	HEXAGON HEAD BOLT M6X15



POS	QTY	PARTNUMBER	BESKRIVELSE	DESCRIPTION
C1	2	420797	STYRRØR ØVRE	HANDLE UPPER
C2	1	420798	KONTROLPANEL	PANEL ,ELECTRICAL
C3	8	420799	LÅSEMØTRIK M8	HEX FLANGE NUT WITH NOMENTAL INSERT FM8
C4	1	420800	BESLAG	WIRE SEAT RIGHT
C5	4	420736	BRÆDDEBOLT M8X40	CARRIAGE BOLTM8X40
C6	1	420900	KABEL	WIRE
C7	1	420699	SKIVE	PLASTIC PAD
C8	1	420801	FORLYGTE	LIGHT
C9	2	420919	LÅSEMØTRIK M5	HEXAGON NUT WITH NOMENTAL INSERTM5
C10	1	420920	LÅSEMØTRIK M6	HEXAGON NUT WITH NOMENTAL INSERTM6
C11	1	420921	KOBLINGSGREB	CLUTCH HANDLE SEAT
C12	1	420922	BOLT	HANDLE BOLT
C13	2	420923	BOLT M5X30	HEXAGON HEAD BOLTM5X30
C14	1	420803	BRÆDDEBOLT M8X35	CARRIAGE BOLT M8X35
C15	1	420925	GREB	CLUTCH HANDLE
C16	2	420529	FJEDERSPLIT	INDIVIDUA PEN PINCHCOCK
C17	1	420804	BESLAG TIL HÅNDTAG	GEAR CONTROL LEVER
C18	2	420535	SKIVE	PULL WIRE BOLT
C19	2	420881	LÅSEMØTRIK	HEX LOCK NUT WITH NOMENTAL INSERTM10
C20	2	420806	GREB GEAR	REGULATION HANDLE
C21	1	420926	GREB SKÆRM VERTIKALT	CHUTE CAP HANDLE
C22	2	420808	GUMMI	RUBBER PAD
C23	1	420927	KABEL	MOVING PULL WIRE
C24	2	420810	FJEDER	HANDLE SPRING
C25	1	420811	KOBLINGSGREB	HANDLE ,RIGHT
C26	1	420558	SKIVE M8	BIG WASHER8
C27	1	420812	UNBRAKOBOLT M8X120	HEXAGON SOCKET CAP SCREW M8X120
C28	1	420813	BESLAG	STOPING PART
C29	2	420814	FJEDERSPLIT	INDIVIDUAL PEN PINCHCOCK
C30	2	420815	BESLAG	CAM
C31	1	420816	FJEDER	STOPPING SPRING
C32	1	420817	UNBRAKOBOLT M8X60	SOCKET CAP SCREW M8X60
C33	4	420818	NITTE	OPEN TYPE BLIND RIVET3X8
C34	2	420819	GREB	HEATED HANDLE
C35	1	420820	KABEL	AUGER PULL WIRE
C36	1	420821	HÅNDTAG SNEGLESKRUE	HANDLE LEFT
C37	1	420822	LEDNING	INPUT WIRE
C38	2	420823	KONTAKT	ARC SWITCH
C39	1	420824	SKRUE M4X6	SCREW M4X6
C40	1	420534	KABEL	PULL WIRE FOR CHUTE CAP
C41	1	420825	FJEDER	PRETIGHTEN SPRING
C42	1	420826	HÆTTE M8	MONOLITHIC CLOSURE CAP
C43	1	420827	HOLDER	WIRE SEAT
C44	1	420701	SKRUE M6X8	HEXAGON SOCKET SET SCREWS WITH FLAT POIN
C45	1	420828	GREB HORIZONTALT UDKASTER	ROCKER HANDLE

POS	QTY	PARTNUMBER	BESKRIVELSE	DESCRIPTION
C46	1	420829	ARM	SMALL ROCKER
C47	1	420830	KRAVE	FIXED SEAT 2
C48	1	420831	RØR	FLEXIBLE SHAFT
C49	1	420832	HOLDER	FIXED SEAT 1
C50	2	420833	BOLT	CROSS RECESSED RAISED HEAD BOLTM6X8
C51	1	420834	PANEL	PANEL
C52	2	420835	AFSTANDSSKIVE	SPACER