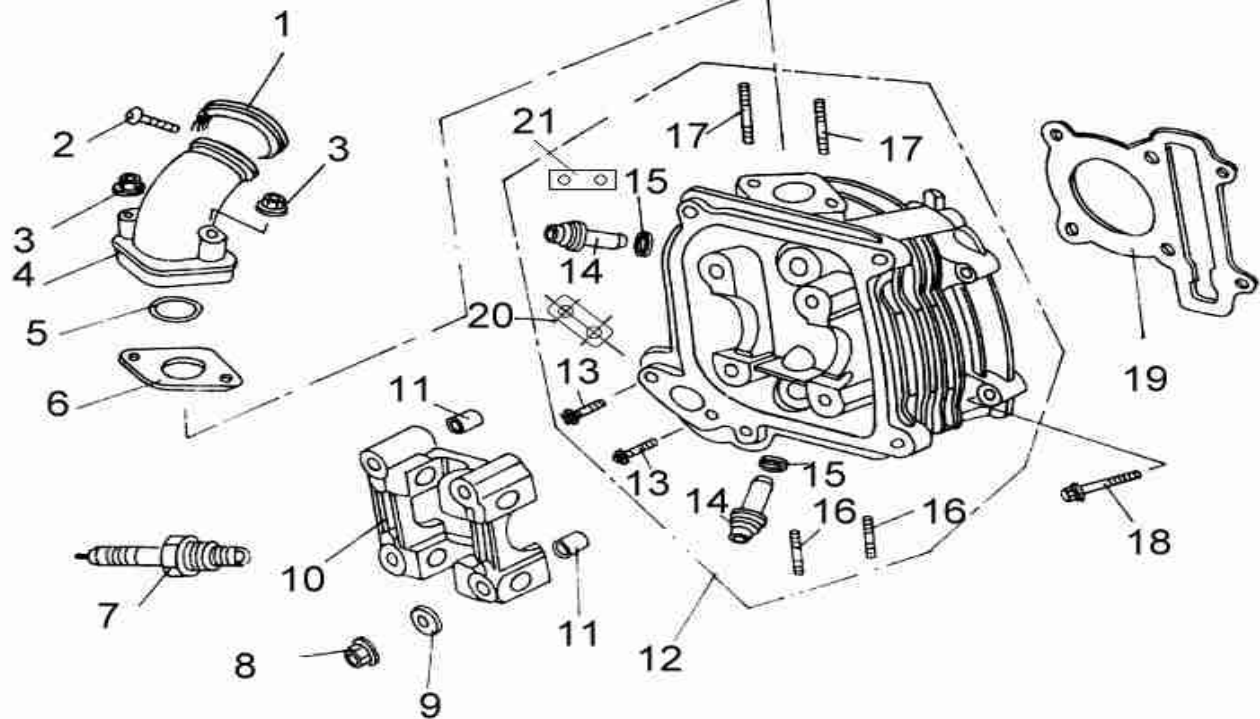
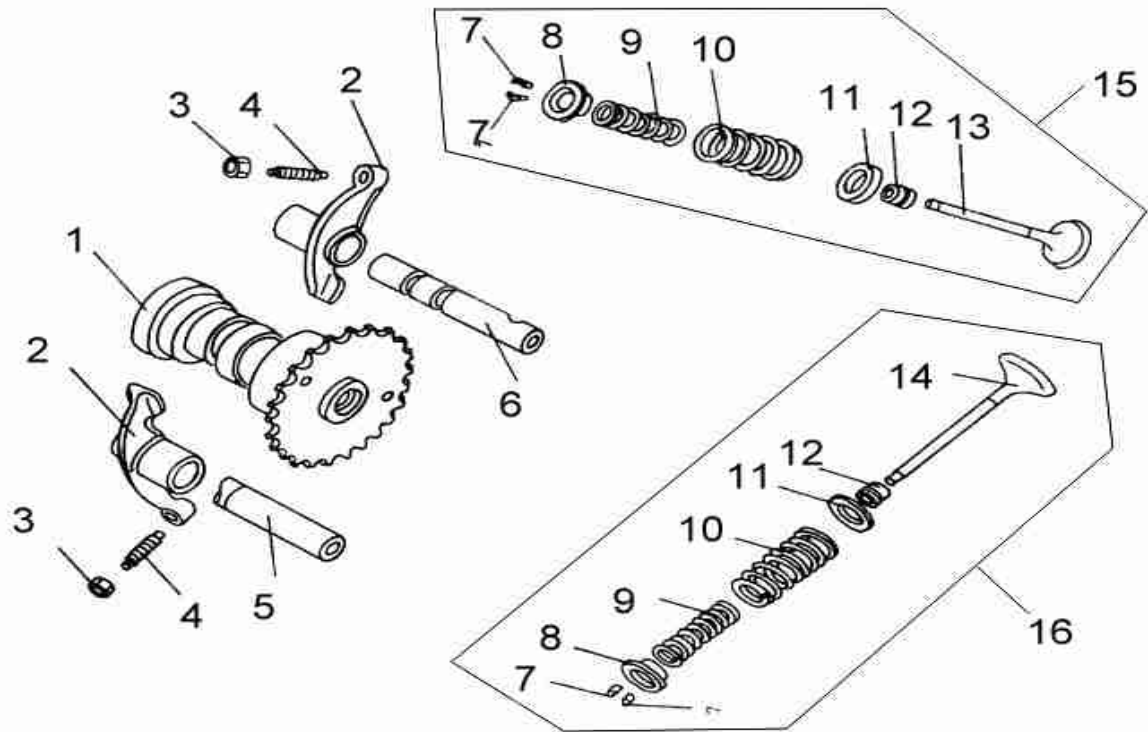


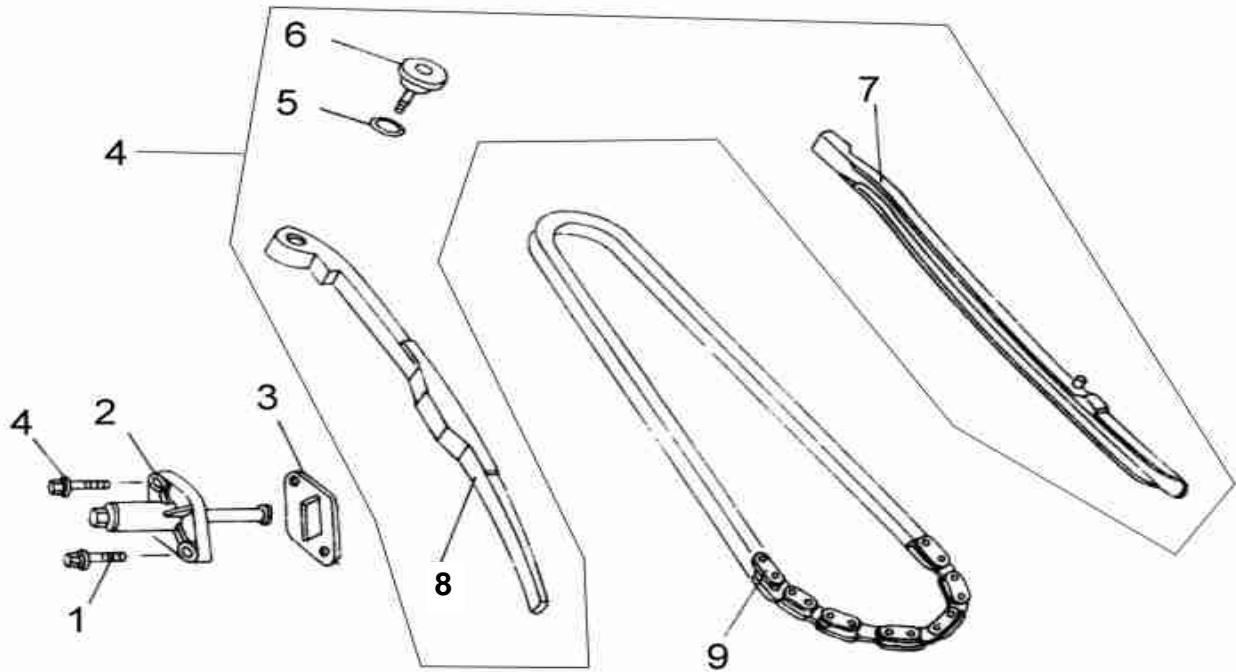
POS	QTY	PARTNUMBER	BESKRIVELSE	DESCRIPTION
1+10	1	403800	BLÆSEHUS NEDERST MED KLEMME	CLAMP - F1.1+10
2	2	403801	BOLT M6X16	BOLT M6X16 - F1.2
3-6	1	403802	BLÆSEHUS ØVERST	FANHOUSING UPPER F1.3-6
7	2	403803	BOLT M6X25	BOLT M6X25 - F1.7
8	1	403804	KLEMME	CLAMP F1.8
9	1	403805	GUMMI PAKNING	SEAL RING - F1.9
11	2	403806	BOLT M5X16	BOLT M5X16 - F1.11
12- 13	1	403807	BLÆSEHUS	COVER BREATHER - F1.12



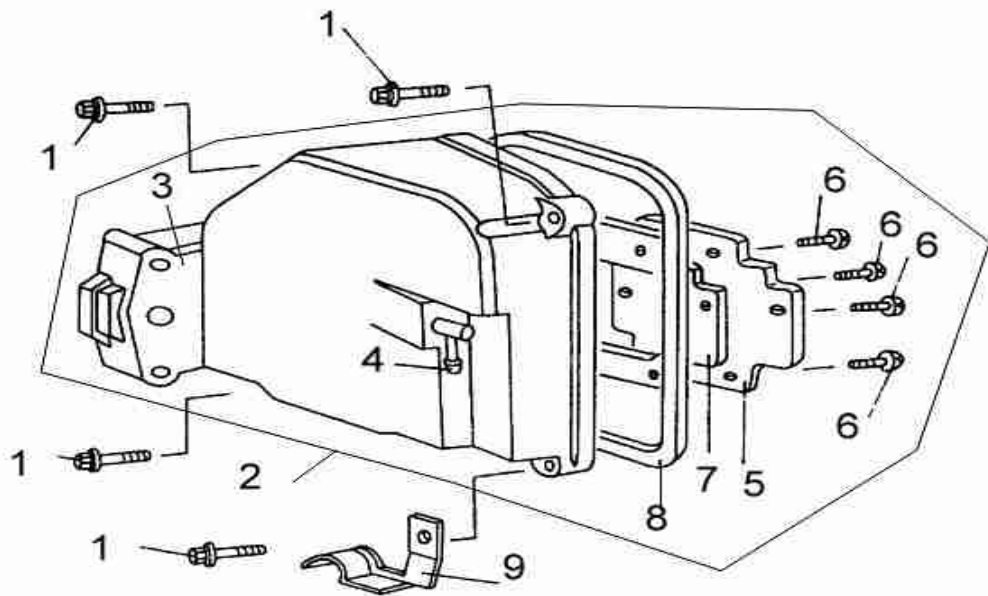
POS	QTY	PARTNUMBER	BESKRIVELSE	DESCRIPTION
1- 2+4	1	403808	STUDS MED KLEMME	PIPE WITH CLAMP - F2.1-2+4
3	2	403809	MØTRIK M6	NUT M6 - F2.3
5	1	403810	O-RING	ISOLATOR, O-RING - F2.5
6	1	403811	PAKNING	GASKET - F2.6
7	1	10011448	TÆNDRØR U20FSRU	U20FSRU
8	4	403812	MØTRIK	CYLINDER HEAD NUT - F2.8
9	4	403813	SKIVE	CYLINDER HEAD WASHER - F2.9
10	1	403814	LEJEVERFALD	CAM SEAT - F2.10
11	2	403815	STYREBØS	GUIDEBUSH - F2.11
12+1 4+15	1	403816	TOPSTYKKE	CYLINDER HEAD ASSY - F2.12+14-15
13	2	403817	BOLT M6X16	BOLT M6X16 - F2.13
16	2	403818	BOLT	BOLT, EXHAUST MUFFLER - F2.16
17	2	403819	BOLT	CARBURETOR BOLT, STUD - F2.17
18	2	403820	BOLT M6X85	BOLT M6X85 - F2.18
19	1	403821	TOPPAKNING	HEAD GASKET - F2.19
20	1	403822	LÅG	CAP - F2.20
21	1	403823	GUMMI PAKNING, LÅG	CAP RUBBER GASKET - F2.21



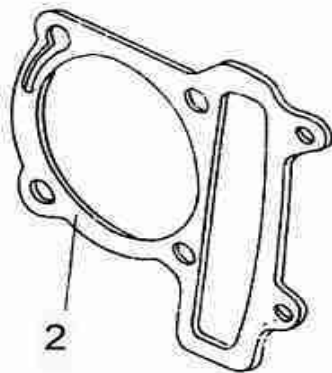
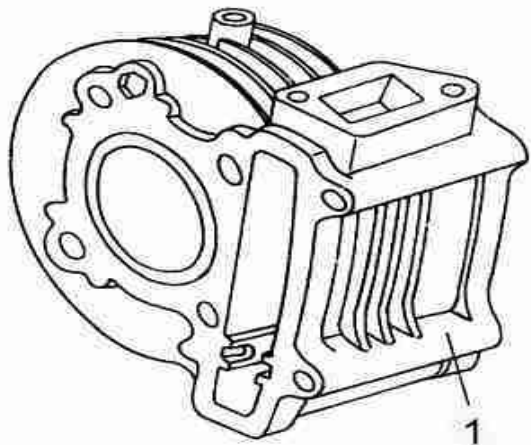
POS	QTY	PARTNUMBER	BESKRIVELSE	DESCRIPTION
1	1	403824	KNASTAKSEL	CAMSHAFT - F3.1
2	2	403825	VIPPEARMS	ROCKERARM ASSY - F3.2
3	1	403825C	MØTRIK FOR STILLESKRUE	NUT FOR ADJUSTMENT
4	1	403825D	STILLESKRUE FOR VENTIL	ADJUSTMENT SCREW
5	1	403825A	AKSEL Udstødningsside	SHAFT EXHAUST
6	1	403825B	AKSEL Indsugningsside	SHAFT INTAKE
7	2	403826	VENTIL LÅS	VALVE LOCK - F3.7
8	2	403827	BUND FOR FJEDER	SPRINGSEAT UPPER - F3.8
9	2	403828	VENTIL FJEDER INDRE	VALVESPRING INNER - F3.9
10	2	403829	VENTIL FJEDER YDRE	VALVESPRING OUTER - F.310
11	2	403830	BUND FOR FJEDER	SPRINGSEAT LOWER - F3.11
12	2	403831	PAKDÅSE	SEAL - F3.12
13	1	403832	VENTIL IND	VALVE INTAKE - F3.13
14	1	403833	VENTIL UD	VALVE EXHAUST - F3.14



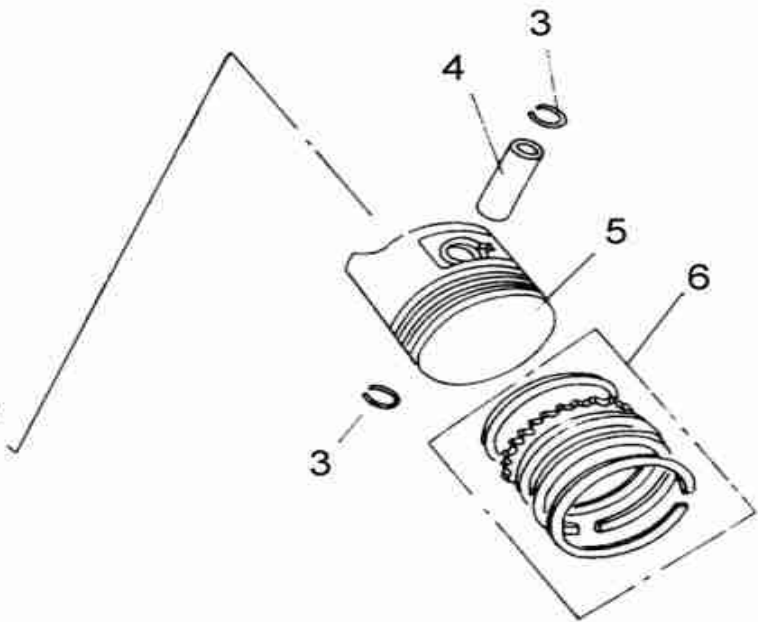
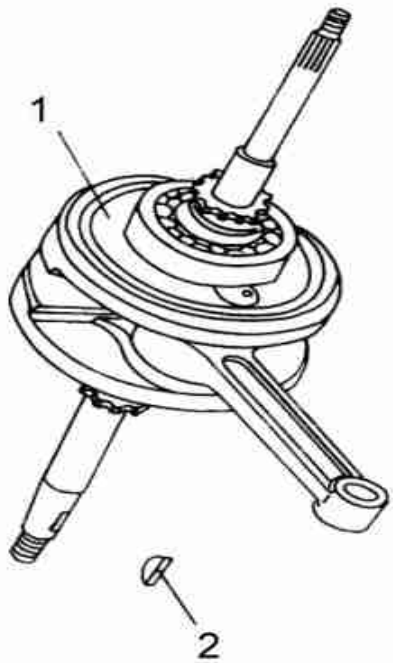
POS	QTY	PARTNUMBER	BESKRIVELSE	DESCRIPTION
1	2	403834	BOLT M6X16	BOLT M6X16 - F4.1
2	1	403835	JUSTERINGSKÆDE	TENSIONER ASSY - F4.2
3	1	403836	PAKNING	GASKET - F4.3
5	1	403837	O-RING	O-RING - F4.5
6	1	403838	SKRUE	SCREW - F4.6
7	1	403839	KÆDESTYR NEDERST	TENSIONER LOWER - F4.7
8	1	403840	KÆDESTYR ØVERST	TENSIONER UPPER- F4.8
9	1	403841	KNASTKÆDE	CAMCHAIN - F4.9



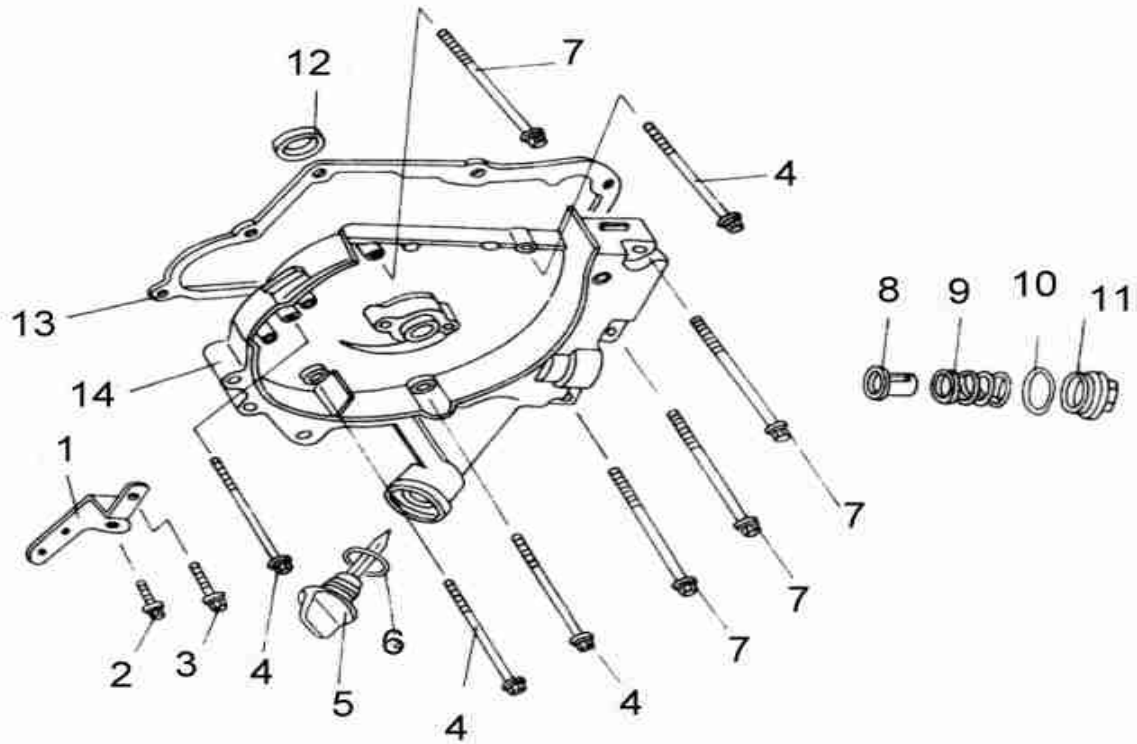
POS	QTY	PARTNUMBER	BESKRIVELSE	DESCRIPTION
1	4	403842	BOLT M6X25	BOLT M6X25 - F5.1
3	1	403843	VENTILDÆKSEL	CYLINDER COVER - F5.3
4	1	403844	VENTILRØR	VENTILATING TUBE CONNECTOR - F5.4
5	1	403845	DÆKSEL	VENTILATING CHAMBER COVER - F5.5
6	4	403846	BOLT M4X8	BOLT M4X8 - F5.6
7	1	403847	PAKNING	VENTILATING CHAMBER GASKET - F5.7
8	1	403848	PAKNING	CYLINDER COVER GASKET - F5.8
9	1	403849	HOLDER	CLIPTUBE - F5.9



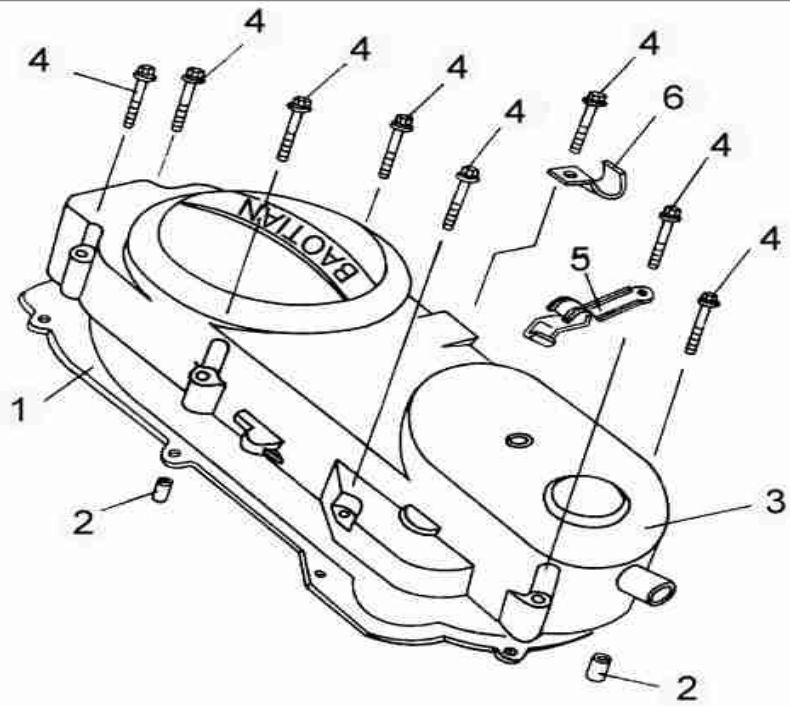
POS	QTY	PARTNUMBER	BESKRIVELSE	DESCRIPTION
1	1	403850	CYLINDER	CYLINDER ASSY - F6.1
2	1	403851	CYLINDERPAKNING	GASKET, CYLINDER - F6.2
3	2	403852	STYREBØS	GUIDEBUSH - F6.3



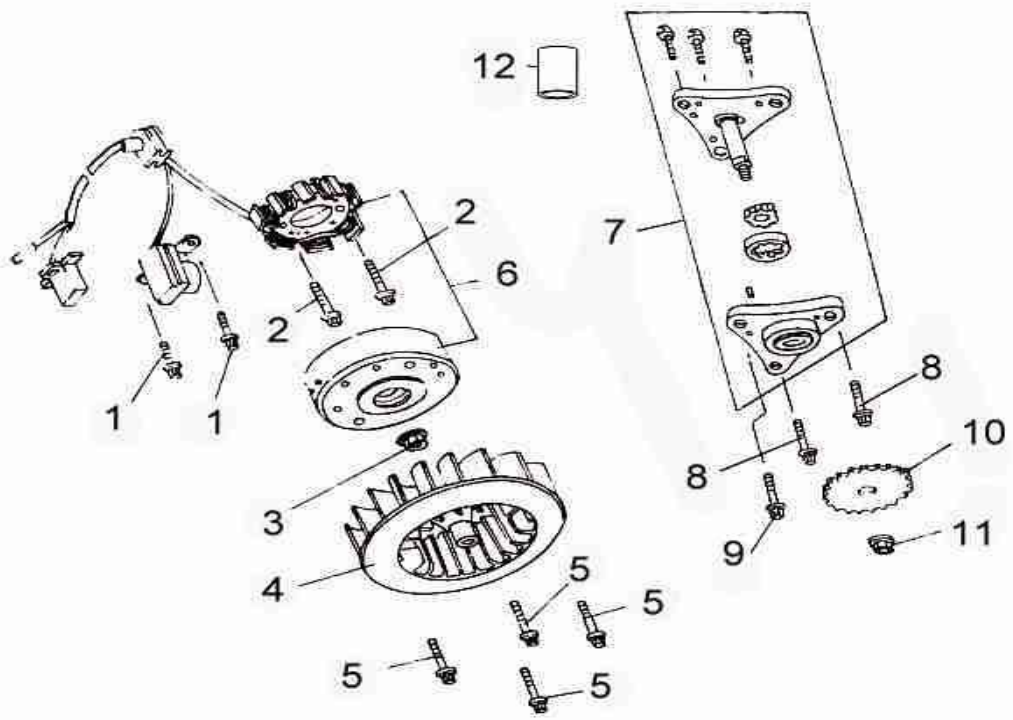
POS	QTY	PARTNUMBER	BESKRIVELSE	DESCRIPTION
1-2	1	403853	KRUMTAP MED FEDER	GRANKSHAFT WITH KEY - F7.1
3	2	403854	LÅS	PISTON PIN CLIP - F7.3
4	1	403855	KRYDSPIND	PIN PISTON - F7.4
5	1	403856	STEMPEL	PISTON - F7.5
6	1	403857	STEMPEL RINGE SÆT	PISTON RING ASSY - F7.6



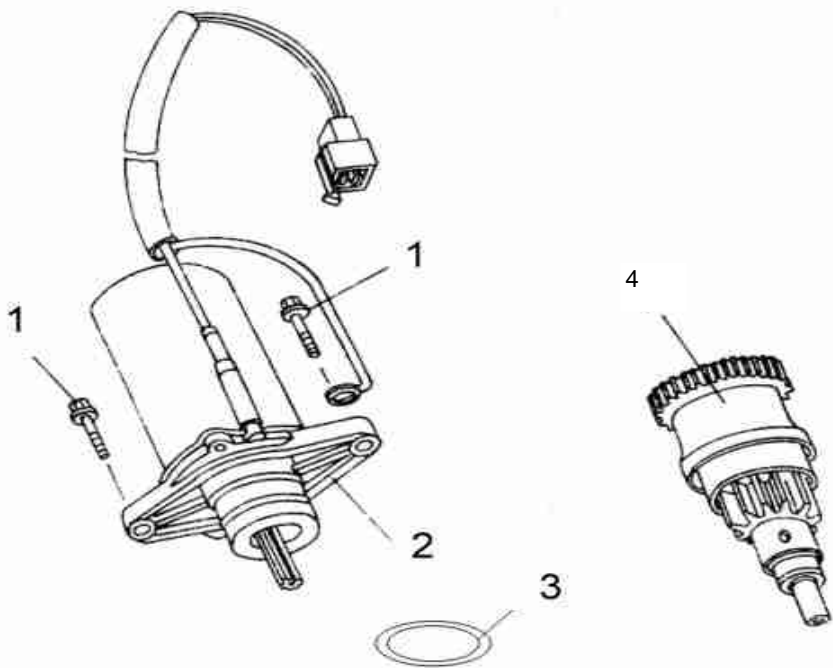
POS	QTY	PARTNUMBER	BESKRIVELSE	DESCRIPTION
1	1	403858	BESLAG	FENDER FRAME - F8.1
2	1	403859	BOLT M6X16	BOLT M6X16 - F8.2
3	1	403860	BOLT M6X25	BOLT M6X25 - F8.3
4	4	403861	BOLT M6X85	BOLT M6X85 - F8.4
5	1	403862	OLIE MÅLER	OIL LEVEL GAUGE - F8.5
6	1	403863	O-RING	O-RING, OIL FILTER - F8.6
7	4	403864	BOLT M6X100	BOLT M6X100 - F8.7
8	1	403865	OLIE FILTER	OIL FILTER - F8.8
9	1	403866	FJEDER	SPRING, OIL FILTER - F8.9
10	1	403867	O-RING	O-RING,OIL FILTER COVER - F8.10
11	1	403868	PROP, OLIE	CAP, OIL FILTER COVER - F8.11
12	1	403869	PAKDÅSE	OIL SEAL ASSY, R-COVER - F8.12
13	1	403870	PAKNING	GASKET, R-COVER - F8.13
14	1	403871	DÆKSEL, HØJRE	RIGHT COVER - F8.14



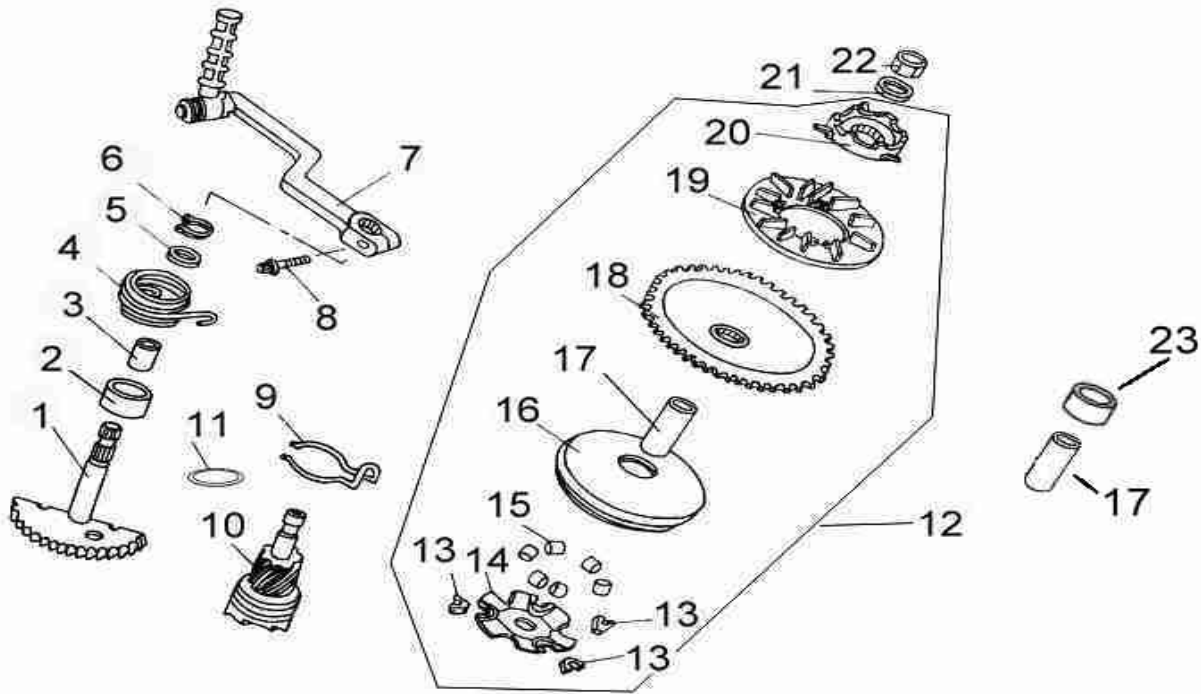
POS	QTY	PARTNUMBER	BESKRIVELSE	DESCRIPTION
1	1	403872	PAKNING	GASKET, L-COVER - F9.1
2	2	403873	STIFT	DOWEL PIN - F9.2
3	1	403874	DÆKSEL "BAOTIAN"	LEFT COVER "BAOTIAN" - F9.3
3	1	403874A	DÆKSEL "TEXAS"	LEFT COVER "TEXAS" -F9.3
4	8	403875	BOLT M6X35	BOLT M6X35 - F9.4
5	1	403876	KABELHOLDER	CLAMPER ASSY - F9.5
6	1	403877	KABELHOLDER BREMSEKABEL	CLAMPER, BRAKER CABLE - F9.6



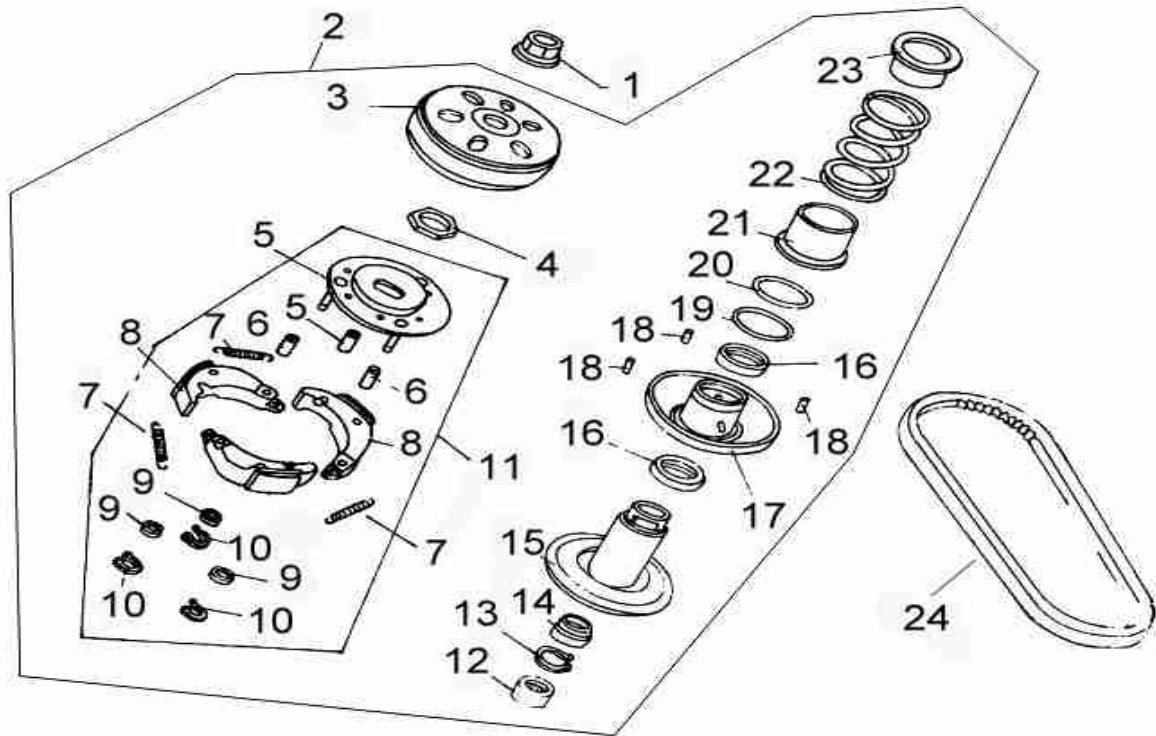
POS	QTY	PARTNUMBER	BESKRIVELSE	DESCRIPTION
1	2	403878	BOLT M5X12	BOLT M5X12 - F10.1
2	2	403879	BOLT M6X22	BOLT M6X22 - F10.2
3	1	403880	MØTRIK M10X1.25	R.NUT, CAMSHAFT - F10.3
4	1	403881	BLÆSEHJUL	COOLING FAN - F10.4
5	4	403882	BOLT M6X16	BOLT M6X16 - F10.5
6	1	403883	GENERATOR KPL	GENERATOR ASSY - F10.6
7	1	403884	OLIEPUMPE KOMPLET	OIL PUMP ASSY - F10.7
8	2	403885	BOLT M6X20	BOLT M6X20 - F10.8
9	1	403886	BOLT M6X25	BOLT M6X25 - F10.9
10	1	403887	TANDHJUL	CHAIN OIL PUMP DIVER - F10.10
11	1	403888	MØTRIK M6	NUT M6 - F10.11
12	1	403889	PAL	OIL PUMP DOWEL PIN - F10.12



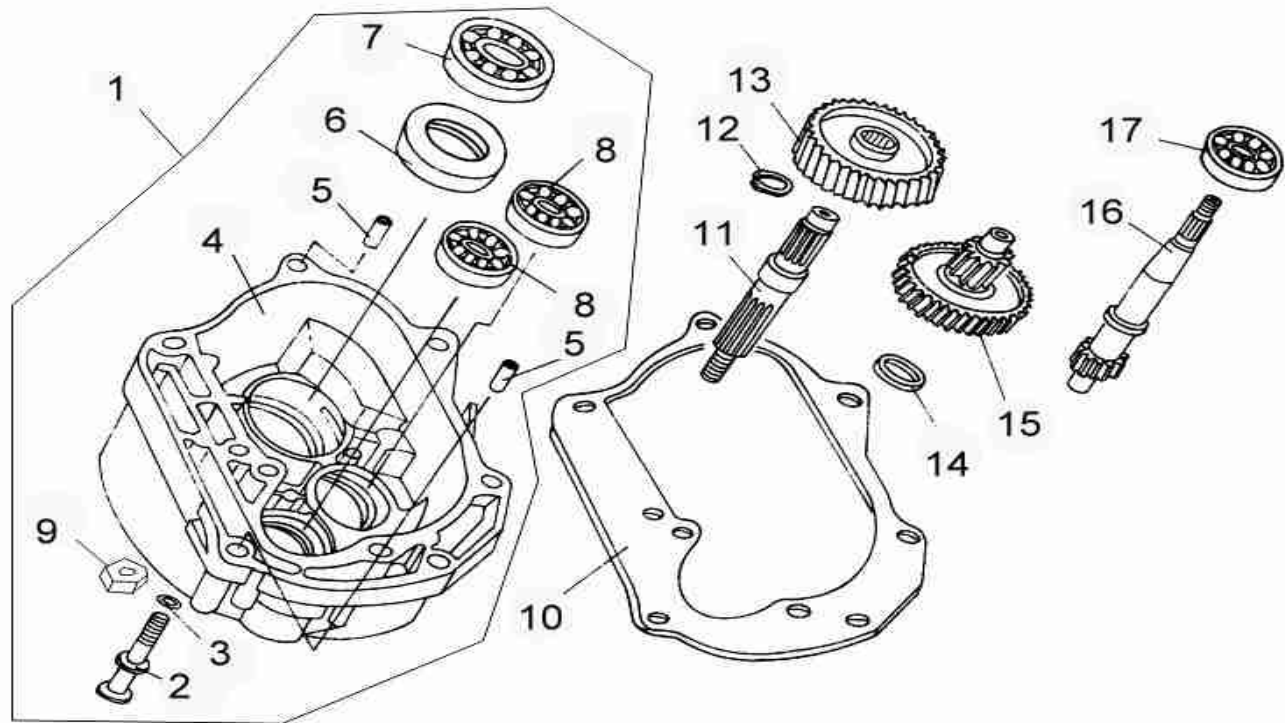
POS	QTY	PARTNUMBER	BESKRIVELSE	DESCRIPTION
1	2	403890	BOLT M6X25	BOLT M6X25 - F11.1
2-3	1	403891	STARTER MOTOR KOMPLET	STARTER MOTOR ASSY - F11.2
4	1	403892	STARTERDREV ELSTART	SINGLE DIRECTOR ASSY - F11.4



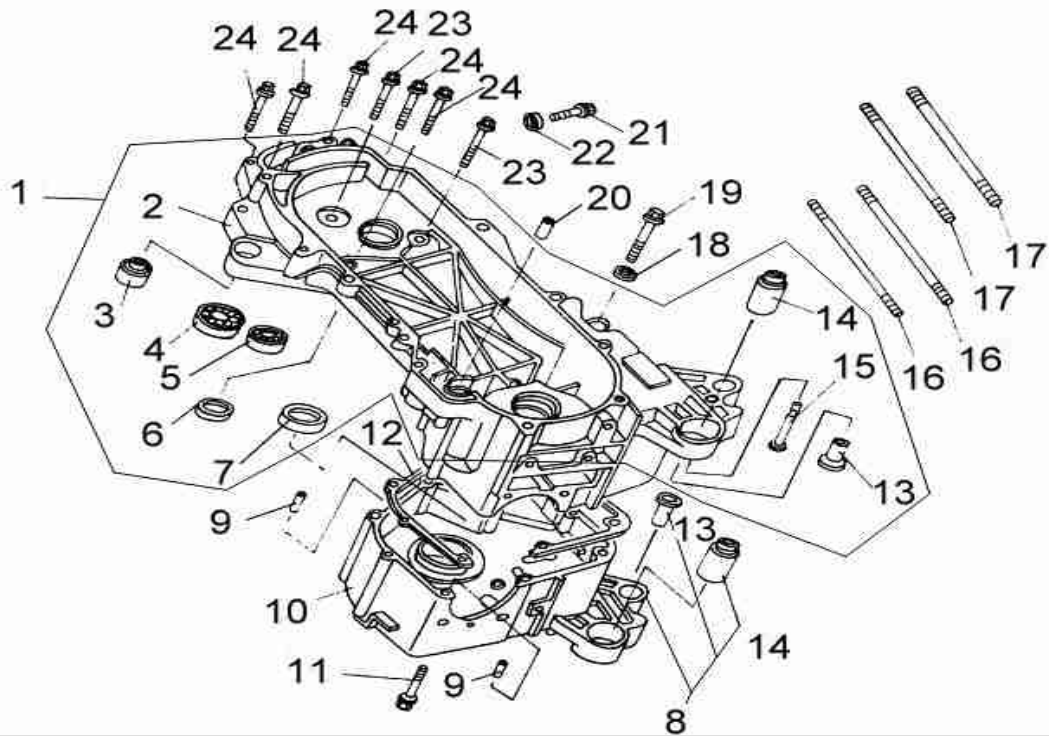
POS	QTY	PARTNUMBER	BESKRIVELSE	DESCRIPTION
1	1	403893	STARTERDREV KICKSTART KORT 48MM	KICK STARTER SHAFT SHORT 48MM
1	1	408678	STARTDREV KICKSTART LANG 62MM	KICK STARTER SHAFT LONG 62MM
2	1	403893A	BØS	BUSH - F12.2
3	1	403893B	BØS	BUSH F12.3
4	1	403893C	FJEDER	SPRING - F12.4
5	1	403993D	SKIVE	WASHER - F12.5
6	1	403893E	LÅSERING	LOCKRING - F12.6
7	1	403894	KICK STARTER ARM	ARM ASSY, KICK STARTER - F12.7
8	1	403895	BOLT M6X22	BOLT M6X22 - F12.8
9	1	403896	FJEDER	SPRING - F12.9
10	1	403897	GEAR	GEAR COMP, IDLE - F12.10
11	1	403898	SKIVE	WASHER - F12.11
12-20	1	403899	VARIO KOMPLET	VARIO ASSY FREE 50-4 - F12.12-20
12-20	1	403900	VARIO KOMPLET FLASH 30-4	VARIO ASSY FLASH 30-4- F12.12-20
13	1	407614	GLIDESTYKKE FOR VARIO	HOLDER FOR VARIO
17	1	404337	BØS 45KM/T	BUSH FREE 50-4 F12.17
17	1	404338	BØS 30KM/T	BUSH FLASH 30-4 F12.17
21	1	403901	SKIVE Ø12	WASHER Ø12 - F12.21
22	1	403902	MØTRIK M12X1.25	NUT M12X1.25 - F12.22
23	1	404339	RING 30KM/T 7,5MM	RING FLASH 30-4 F12.23



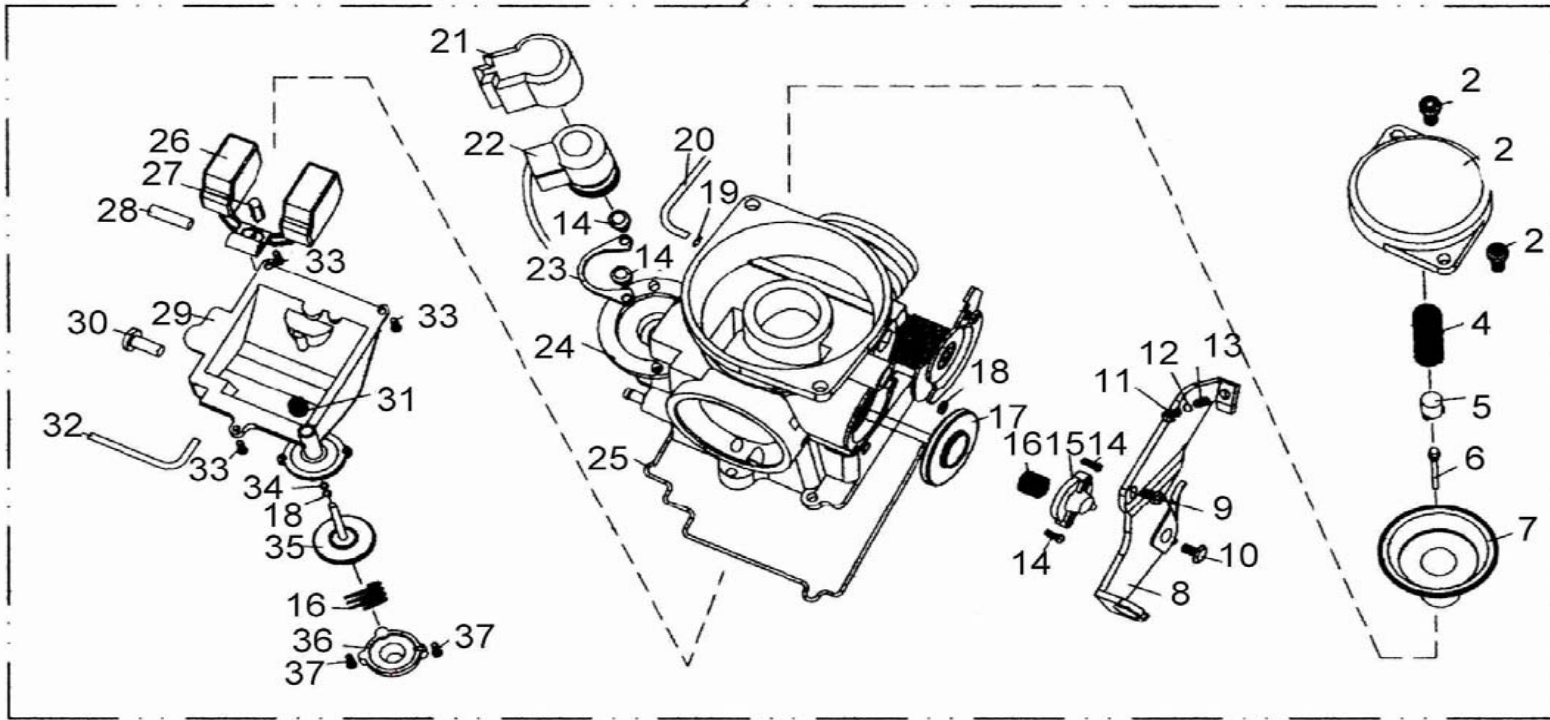
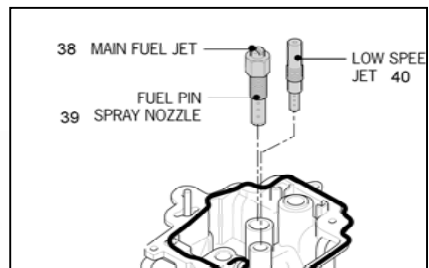
POS	QTY	PARTNUMBER	BESKRIVELSE	DESCRIPTION
1	1	403903	MØTRIK M10X1.25	NUT M10X1.25 - F13.1
2-23	1	403904	KOBLING KOMPLET	DRIVER PULLER ASSY - F13.2
24	1	403905	REM	V-BELT - F13.24



POS	QTY	PARTNUMBER	BESKRIVELSE	DESCRIPTION
1	1	403906	GEARKASSE KPL	REAR TRANSMISSION BOX ASSY - F14.1
2+11	1	403907	AKSEL MED PAL	SHAFT ASSY - F14.2
3	1	403908	O-RING	O-RING - F14.3
4	1	403909	DÆKSEL FOR GEARKASSE	REAR TRANSMISSION BOX - F14.4
5	2	403910	BØS	PIN- F14.5
6	1	403911	PAKDÅSE	OIL SEAL ASSY - F14.6
7	1	403912	LEJE	BEARING - F14.7
8	2	403913	LEJE	BEARING - F14.8
9	1	403914	MØTRIK M8	NUT M8 - F14.9
10	1	403915	PAKNING	GASKET, REAR COVER - F14.10
12	1	403916	LÅS	CLIP - F14.12
13	1	403917	GEAR, TANDHJUL	GEAR - F14.13
14	1	403918	SKIVE	WASHER - F14.14
15	1	403919	AKSEL	COUNTERSHAFT - F14.15
16	1	403920	AKSEL	DRIVESHAFT - F14.16
17	1	403921	LEJE	BEARING - F14.17

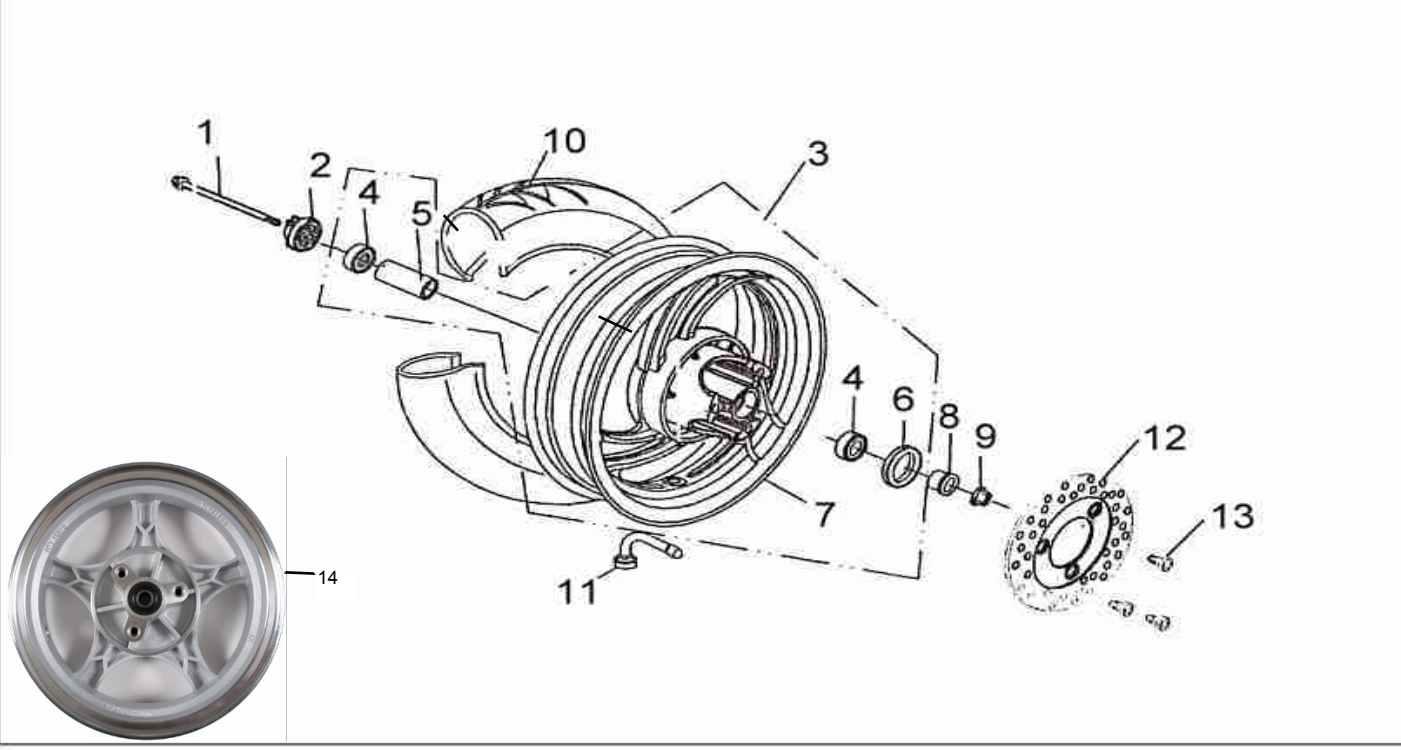


POS	QTY	PARTNUMBER	BESKRIVELSE	DESCRIPTION
1	1	403922	KRUMTAPHUS KPL VENSTRE	CRANKCASE ASSY L.- F15.1
2	1	403923	KRUMTAPHUS VENSTRE	CRANKCASE L.- F15.2
3	1	403924	OPHÆNG	BUSH - F15.3
4	2	403925	LEJE	BEARING - F15.4
5	1	403926	LEJE	BEARING - F15.5
6	1	403927	RING	SEAL - F15.6
7	1	403928	PAKDÅSE	OIL SEAL - F15.7
8	1	403929	KRUMTAPHUS HØJRE KPL	CRANKCASE ASSY R - F15.8
9	2	403930	PAL	PIN, DOWEL - F15.9
10	1	403931	KRUMTAPHUS HØJRE	CRANKCASE R.- F15.10
11	1	403932	BOLT M6X45	BOLT M6X45 - F15.11
12	1	403933	PAKNING	GASKET, CRANKCASE - F15.12
13	2	403934	BØS	BUSH - F15.13
14	2	403935	BØS	BUSH - F15.14
15	2	403936	AKSEL	FIXNG SHAFT - F15.15
16	2	403937	BOLT	STUD - F15.16
17	2	403938	BOLT	STUD - F15.17
18	1	403939	SKIVE Ø12	WASHER, PLUG Ø 12 - F15.18
19	1	403940	BOLT	DRAM PLUG - F15.19
20	1	403941	BØS	BUSH - F15.20
21	1	403942	BOLT M8X12	BOLT M8X12 - F15.21
22	1	403943	SKIVE Ø8	WASHER Ø8 - F15.22
23	2	403944	BOLT M8X35	BOLT M8X35 - F15.23
24	5	403945	BOLT M8X40	BOLT M8X40 - F15.24

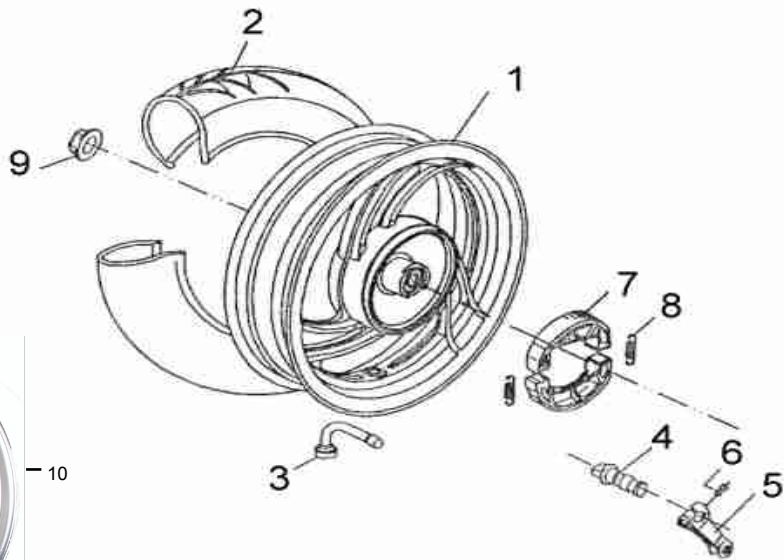


POS	QTY	PARTNUMBER	BESKRIVELSE	DESCRIPTION
1	1	403946	KARBURATOR 45KM	CARBURETOR 45KM - F16.1
1	1	403946A	KARBURATOR 30KM	CARBURETOR 30KM - F16.1
2	2	403947	SKRUE	SCREW SPRING PLATE - F16.2
3	1	403948	PLADE	SPRING PLATE - F16.3
4	1	403949	FJEDER	PLATE SPRING - F16.4
5	1	403950	FJEDERSÆDE	SPRING SOCKET - F16.5
6	1	403951	NÅL FREE 50-4	JET CARBURETOR FREE 50-4 - F16.6
6	1	403952	NÅL FLASH 30-4	JET CARBURETOR FLASH 30-4 - F16.6
7	1	403953	STEMPEL MED MEMBRAM	PISTON VACUUM ASSY 45KM-F16.7
7	1	403953A	STEMPEL MED MEMBRAM	PISTON VACUUM ASSY 30KM-F16.7
8	1	403954	CHOKERARM	CONTORL LEVER - F16.8
9	1	403955	BOLT M5X8	BOLT M5X8 - F16.9
10	1	403956	BOLT M5X14	BOLT M5X14 - F16.10
11	1	403957	BOLT M4X14	BOLT M4X14 - F16.11
12	1	403958	SKIVE	WASHER 4 - F16.12
13	1	403959	FJEDER	SPRING - F16.13
14	4	403960	BOLT M4X8	BOLT M4X8 - F16.14
15	1	403961	VENTIL LÅG	VALVE COVER - F16.15
16	2	403962	VENTIL FJEDER	VALVESPRING - F16.16
17	1	403963	VENTIL	VALVE - F16.17
18	2	403964	RING	SEALING RING - F16.18
19	1	403965	KLEMME	CLIP, TUBE - F16.19
20	1	403966	LUFT RØR	BREATHER TUBE - F16.20
21	1	403967	LÅG	CAP, STATER VALVE - F16.21
22	1	403968	CHOKER	CHOKER - F16.22
23	1	403969	HOLDER	STARTER SOCKET - F16.23
24	1	403970	KARBURATOR HUS	CARBURETOR BODY - F16.24
25	1	403971	PAKNING	SEAL , FLOAT CHAMBER - F16.25
26	1	403972	SVØMMER	FLOAT - F16.26
27	1	403973	SVØMMER NÅL	FLOAT VALVE ASSY - F16.27
28	1	403974	BØS	PIN, FLOAT VALVE - F16.28
29	1	403975	BUND FOR KARBURATOR	CARBURETOR COVER - F16.29
30	1	403976	BUNDSKRUE	TAPPING BOLT - F16.30
31	1	403977	LÅG	DUST SEAL CAP - F16.31
32	1	403978	OVERLØBS RØR	OVER FLOW TUBE - F16.32
33	1	403979	BOLT M4X12	BOLT M4X12 - F16.33
34	1	403980	PAKNING	SEALING RING - F16.34
35	1	403981	PUMPE NÅL	PLUG PUMP ASSY - F16.35
36	1	403982	PUMPE	PUMP LOWER COVER - F16.36
37	1	403983	BOLT M4X10	BOLT M4X10 - F16.37
38	1	405023	TOMGANGSDYSE 66 MM	MAIN NOZZLE 66 MM
38	1	405023A	TOMGANGSDYSE 70 MM	MAIN NOZZLE 70 MM
38	1	405023B	TOMGANGSDYSE 74 MM	MAIN NOZZLE 74 MM
38	1	405023C	TOMGANGSDYSE 68 MM	MAIN NOZZLE 68 MM

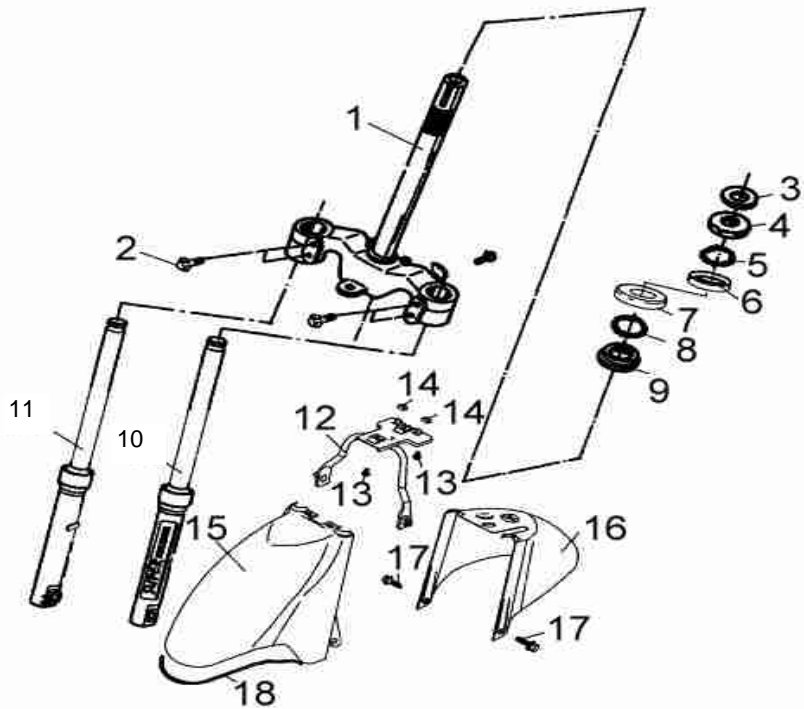
POS	QTY	PARTNUMBER	BESKRIVELSE	DESCRIPTION
38	1	405023D	TOMGANGSDYSE 72 MM	MAIN NOZZLE 72 MM
38	1	405023E	TOMGANGSDYSE 76 MM	MAIN NOZZLE 76 MM
38	1	405023F	TOMGANGSDYSE 78 MM	MAIN NOZZLE 78 MM
39	1	405024	DYSERØR	NOZZLE TUBE
40	1	405025	HOVEDDYSE	MAIN NOZZLE



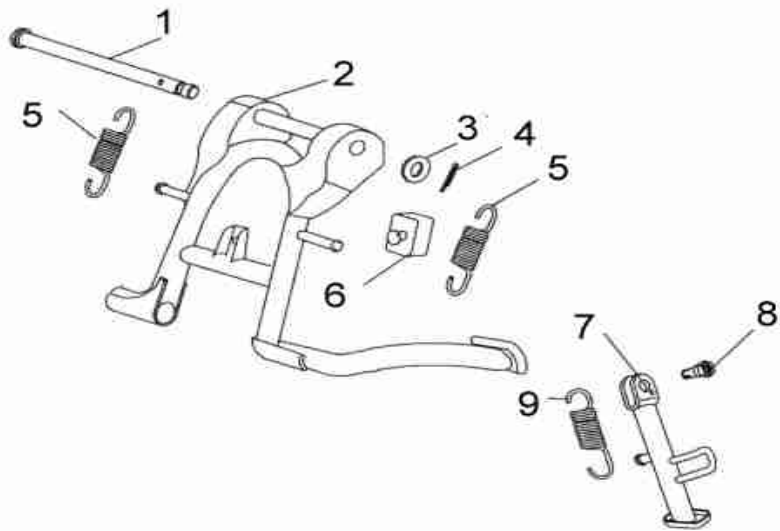
POS	QTY	PARTNUMBER	BESKRIVELSE	DESCRIPTION
1	1	403984	AKSEL FOR HJUL	AXLE FR.WHEEL - F18.1
2	1	403985	KM TÆLLER DREV	SPEED COUNTER - F18.2
4	2	403986	LEJE 6201	BEARING 6201 - F18.4
5	1	403987	BØS	CENTRAL SET - F18.5
6	1	403988	STØVHÆTTE	SEAL DUST - F18.6
7	1	403989	FÆLG	FRONT WHEEL - F18.7
8	1	403990	BØS	BUSH - F18.8
9	1	403991	MØTRIK M12X1.25	NUT M12X1.25 - F18.9
10	1	403992	DÆK 3.0-10	TYRE 3.0-10 - F18.10
10		403016	DÆK 100/90-10 BRIDGESTONE	TIRE 100/90-10 BRIDGESTONE
11	1	403993	VENTIL	VALVE - F18.11
12	1	403994	SKIVE, BREMSE	DISK BRAKE - F18.12
13	3	403995	BOLT	DISK BRAKE BOLT - F18.13
14	1	403989A	FÆLG	FRONT WHEEL - F18.14



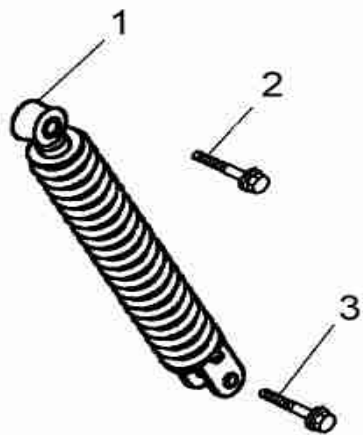
POS	QTY	PARTNUMBER	BESKRIVELSE	DESCRIPTION
1	1	403996	FÆLG BAGHJUL	REAR WHEEL - F19.1
2	1	403997	DÆK	TYRE - F19.2
3	1	403998	VENTIL	VALVE - F19.3
4	1	403999	AKSEL FOR BREMSE	REAR BRAKE CAM - F19.4
5	1	404000	ARM BAGBREMSE	REAR BRAKE LEVER - F19.5
6	1	404001	BOLT M6X35	BOLT M6X35 - F19.6
7	2	404002	BREMSEBAKKE KOMPLET	BRAKE SHOE ASSY - F19.7
8	2	404003	FJEDER	SPRING - F19.8
9	1	404004	LÅSEMØTRIK M16X1.5	LOCKNUT M16X1.5 - F19.9
10	1	403996A	FÆLG BAGHJUL	REAR WHEEL - F19.10



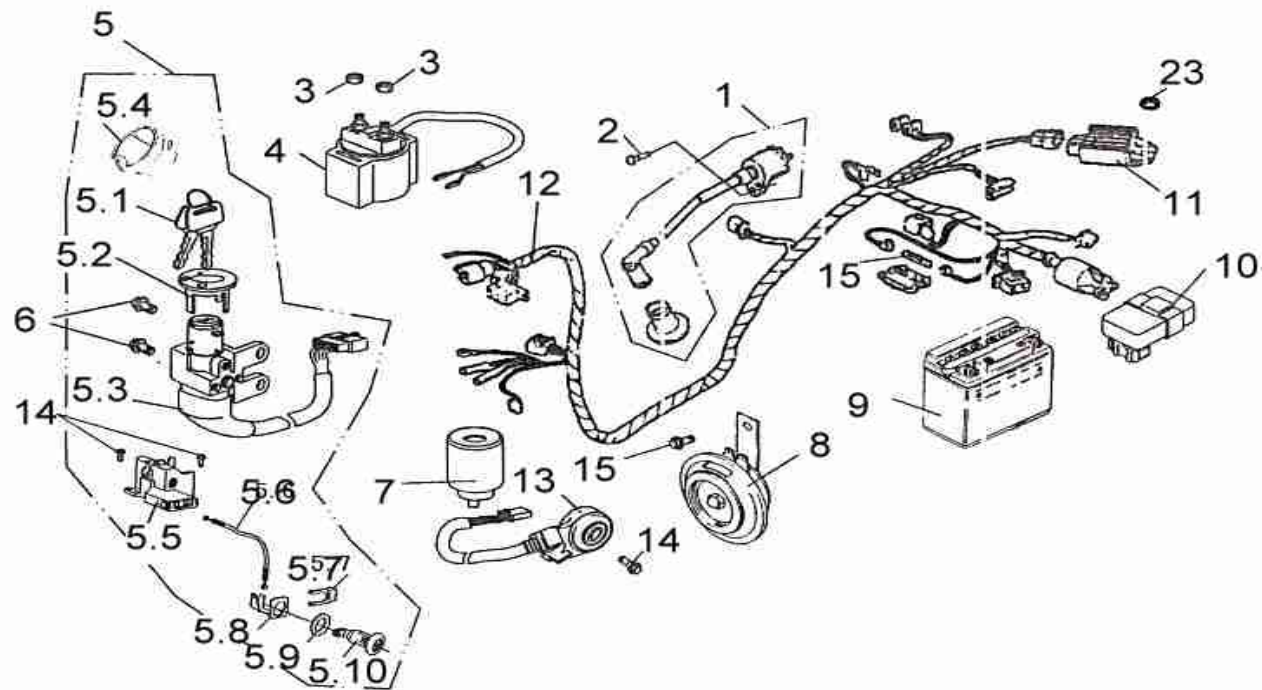
POS	QTY	PARTNUMBER	BESKRIVELSE	DESCRIPTION
1	1	404005	KRONRØR	STEERING COLUMN - F20.1
2	4	404006	BOLT	BOLT FLANGE - F20.2
3	1	404007	LÅSEMØTRIK	ASSMBLING NUT - F20.3
4	1	404008	MØTRIK	RACE TOP CONE NUT - F20.4
5	1	404009	LEJESKÅL ØVERST	BALL STEEL ASSY - F20.5
6	1	404010	LEJERING	RACE UPPER BALL - F20.6
7	1	404011	LEJESKÅL MELLEMSTE	RACE UNDER BALL - F20.7
8	1	404012	LEJESKÅL NEDERSTE	BALL STEEL ASSY - F20.8
9	1	404013	LEJERING	RACE CONE - F20.9
10	1	404014	STØDDÆMPER VENSTRE MAT	FR.SHOCK ASSY FLAT SILVER (L) F20.10
10	1	404014A	STØDDÆMPER VENSTRE BLANK	FR. SHOCK ASSY CROME (L) F.20.11
11	1	404015	STØDDÆMPER HØJRE MAT	FR.SHOCK ASSY FLAT SILVER (R) F20.11
11	1	404015A	STØDDÆMPER HØJRE BLANK	FR. SHOCK ASSY CROME (R) F.20.11
12	1	404016	BESLAG FOR SKÆRM	FENDER - F20.12
13	2	404017	BOLT M6X12	BOLT M6X12 - F20.13
14	2	404018	GUMMIPAKNING	RUBBER - F20.14
15	1	404019	SKÆRM FOR SORT FREE 50- 4	FRONT, FONT FENDER BLACK FREE 50-4 - F20
15	1	404020	SKÆRM FOR RØD FREE 50-4	FRONT, FONT FENDER RED FREE 50-4 - F20.1
15	1	404021	SKÆRM FOR BLÅ FLASH 30-4	FRONT, FONT FENDER BLUE FLASH-F20
15	1	408679	SKÆRM FOR BLÅ METALLIC	FRONT FENDER BLUE METALLIC-F20
16	1	404022	SKÆRM BAG SORT	REAR, FRONT FENDER BLACK - F20.16
17	2	404023	BOLT M6X12	BOLT M6X12 - F20.17
18	2	404024	GUMMI PAKNING	RUBBER FRONT FENDER - F20.18



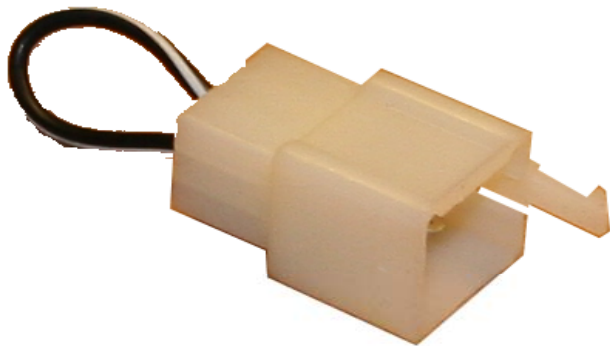
POS	QTY	PARTNUMBER	BESKRIVELSE	DESCRIPTION
1	1	404025	AKSEL	MAIN STAND ASSEMBLING COLUMN - F21.1
2	1	404026	STØTTEBEN	MAIN STAND WELDING ASSY - F21.2
3	1	404027	SKIVE	WASHER 8 - F21.3
4	1	404028	PIN 1.5X24	COTTER PIN 1.5X24 - F21.4
5	2	404029	FJEDER	SPRING - F21.5
6	1	404030	GUMMI STOPPER	LIMIT SPACE RUBBER (STOPPER) -F21.6
7	1	404031	SIDE STØTTEBEN	SIDE STAND WELDING ASSY - F21.7
8	1	404032	BOLT	BOLT - F21.8
9	1	404033	FJEDER	TENSION SPRING SET - F21.9



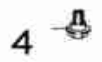
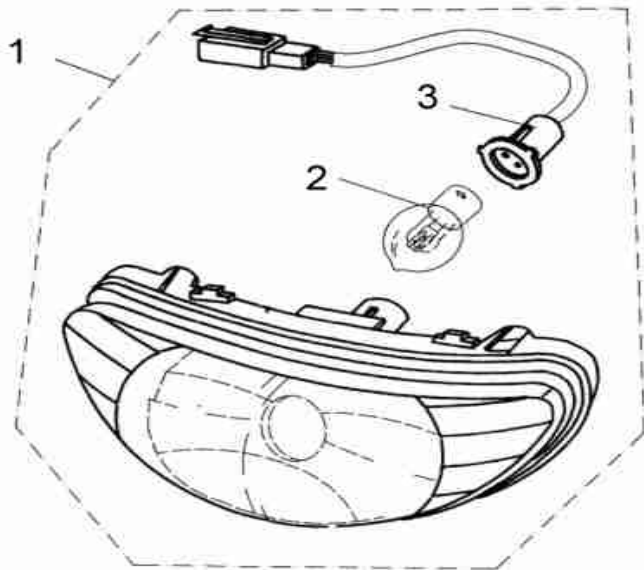
POS	QTY	PARTNUMBER	BESKRIVELSE	DESCRIPTION
1	1	404034	STØDDÆMPER BAG	REAR SHOCK ABSORBER ASSY - F22.1
2	1	404035	BOLT M10X70	BOLT M10X70 - F22.2
3	1	404036	BOLT M8X35	BOLT M8X35 - F22.3



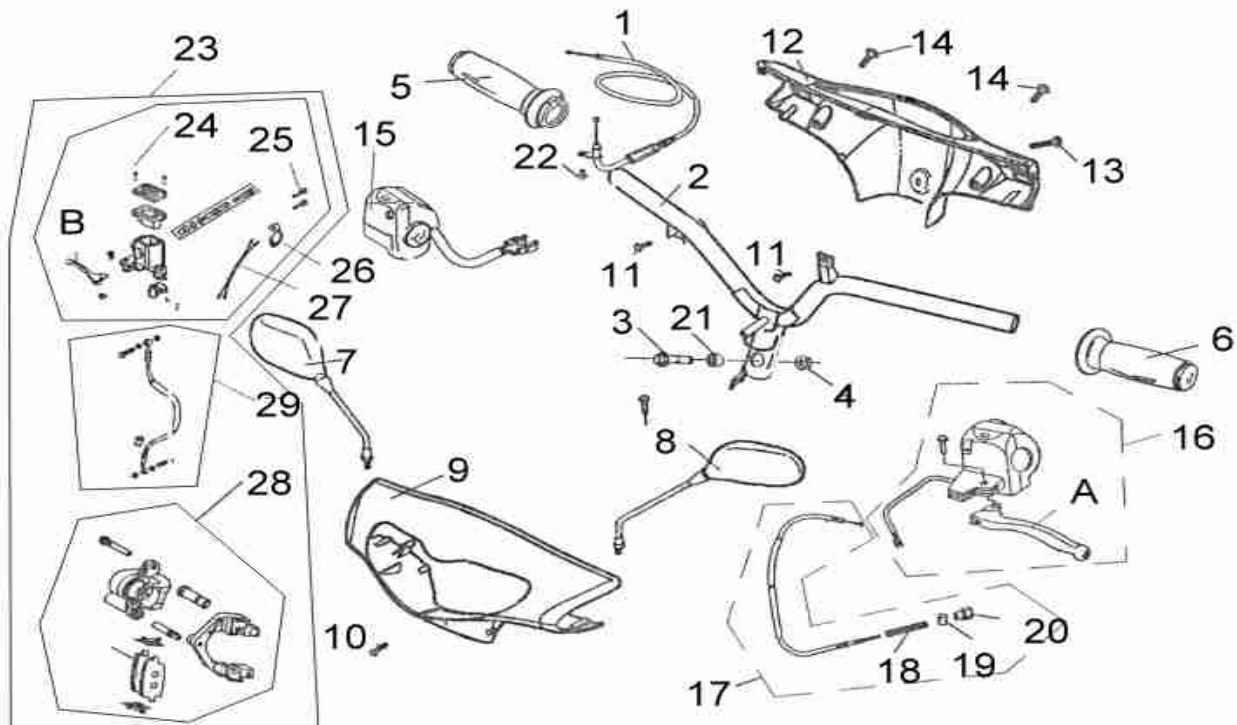
POS	QTY	PARTNUMBER	BESKRIVELSE	DESCRIPTION
1	1	404037	TÆNDSPOLE KOMPLET	IGNITION COIL ASSY - F23.1
2	1	404038	BOLT M6X20	BOLT M6X20 - F23.2
3	3	404039	MØTRIK M6	NUT M6 - F23.3
4	1	404040	STARTRELÆ	START RELAY - F23.4
5	1	404041	TÆNDINGSLÅS SÆT	SWITCH ASSY - F23.5
6	2	404042	BOLT M6X12	BOLT M6X12 - F23.6
7	1	404043	RELÆ BLINK	BUZZER FLASH RELAY - F23.7
8	1	404044	HORN	HORN - F23.8
9	1	404045	BATTERI 12V 5AH	BATTERY 12V/5AMP
10	1	404046	C.D.I. 45KM/T	C.D.I. 45KM/T- F23.10
10	1	404047	C.D.I. 30KM/T	C.D.I. 30KM/T- F23.10
11	1	404048	REGULATOR	RECTIFIER ADJUSTER - F23.11
12	1	404049	LEDNINGSNET	WIRING ASSY - F23.12
12	1	404049a	LEDNINGSNET. TIL ALARM SYSTEM	WIRING ASSY ALARM - F23.12
13	1	404050	KONTAKT VED STØTTEBEN	SWITCH ASSY - F23.13
14	3	404051	BOLT M6X16	BOLT M6X16 - F23.14
15	1	404052	SIKRING	FUSE - F23.15
16	1	407989	STIK MED STIKBEN	



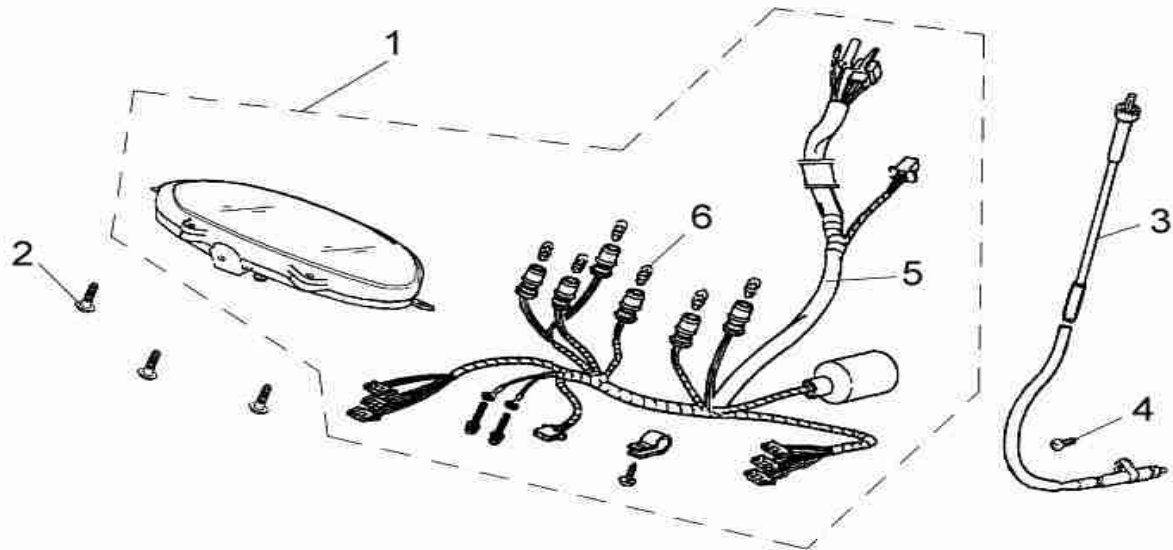
Pos	Vare nr. / Part no.	Qty	Beskrivelse	Description
1	407989	1	Stik med stikben	Plug



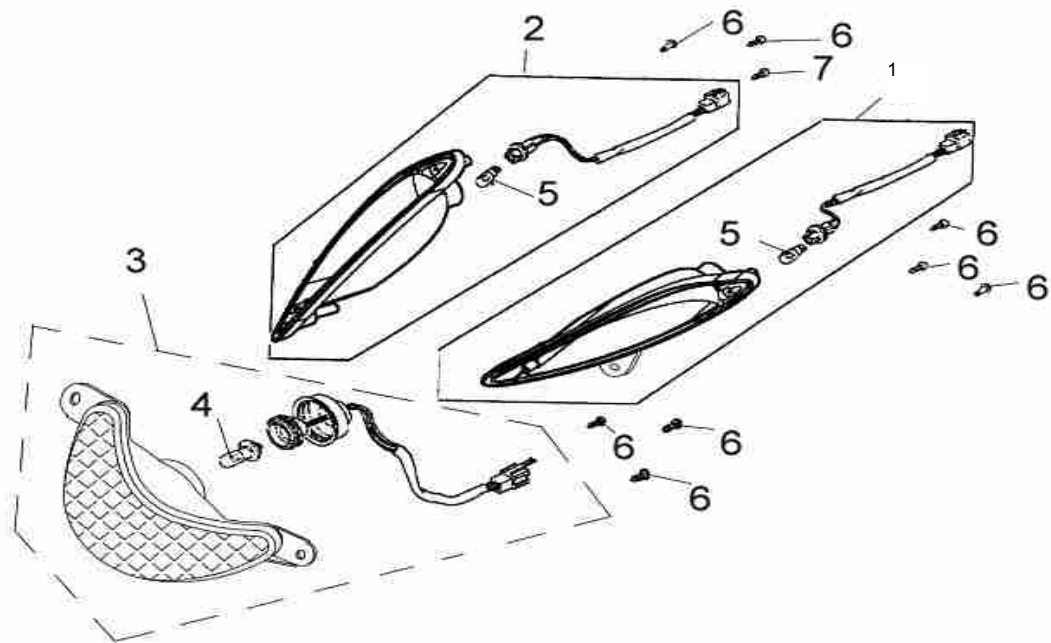
POS	QTY	PARTNUMBER	BESKRIVELSE	DESCRIPTION
1	1	404053	FORLYGTE KOMPLET	HEAD LIGHT ASSY - F24.1
2	1	401305	PÆRE 12V 35/35W	BULB 12V 35/35W
3	1	404054	FATNING	SCOCKET - F24.3
4	1	404055	BOLT M6X25	BOLT M6X25 - F24.4



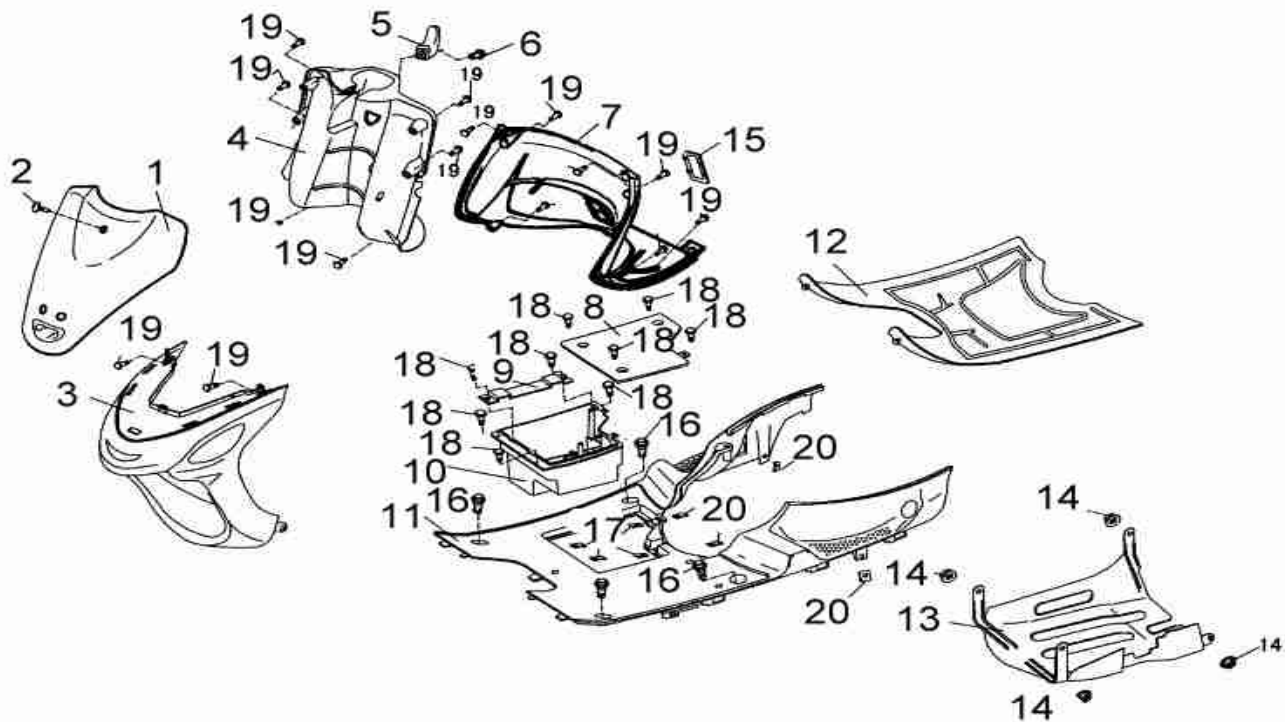
POS	QTY	PARTNUMBER	BESKRIVELSE	DESCRIPTION
1	1	404056	GASKABEL KOMPLET	THROTTLE CABLE ASSY - F26.1
2	1	404057	STYR	STEER - F26.2
3	1	404058	BRUG 90102944	USE 9012944
4	1	404059	BRUG 90100693	NUT M10 - F26.4
5	1	404060	HÅNDTAG HØJRE	GRIP THROTTLE - F26.5
6	1	404061	HÅNDTAG VENSTRE	LEFT GRIP - F26.6
7	1	404062	SIDESPEJL HØJRE	MIRROR RIGHT - F26.7
8	1	404063	SIDESPEJL VENSTRE	MIRROR LEFT - F26.8
9	1	404064	PANEL FORLYGTE SORT	FRONT HEAD COVER BLACK FREE 50-4 - F26.9
9	1	404065	PANEL FORLYGTE RØD	FRONT HEAD COVER RED FREE 50-4 - F26.9
9	1	404066	PANEL FORLYGTE BLÅ	FRONT HEAD COVER BLUE FLASH-F26.9
9	1	408677	PANEL BLÅ METALLIC	FRONT HEAD COVER BLUE METALLIC-F26.9
10	1	404067	BOLT M5X25	BOLT M5X25 - F26.10
11	2	404068	SKRUE ST4.8X16	SCREWST4.8X16 - F26.11
12	1	404069	PANEL VED STYR, BAGERST	REAR PART, HEAD COVER - F26.12
13	1	404070	BOLT	BOLT - F26.13
14	2	404071	SKRUE ST4.2X12	SCREWST4.2X12 - F26.14
15	1	404072	KONTAKTKONSOL HØJRE	SWITCH ASSY RIGHT - F26.15
16	1	404073	KONTAKTKONSOL VENSTRE	SWITCH ASSY LEFT - F26.16
17	1	404074	BREMSEKABEL BAG KOMPLET	BRAKECABLE REAR ASSY - F26.17
21	1	404075	STYRESKIVE	GUIDE WASHER - F26.21
22	1	404076	BOLT M5X10	BOLT M5X10 - F26.22
24	1	404077	BREMSE CYLINDER	MASTER CYLINDER ASSY - F26.24
25	2	404078	BOLT M6X22	BOLT M6X22 - F26.25
26	1	404079	BESLAG	BRACKET - F26.26
27	1	404080	LEDNING	STOP HARNESS - F26.27
28	1	404081	BREMSEKALIBER	BRAKECALIBER ASSY - F26.28
29	1	404082	BREMSE SLANGE	BRAKE HOSE ASSY - F26.29
A	1	404083	HÅNDTAG, BREMSE HØJRE SORT	R.BRAKE HANDLE BLACK - F26.A
A	1	404083A	HÅNDTAG, BREMSE HØJRE BLANKT	R.BRAKE HANDLE SILVER - F26.A
B	1	404084	HÅNDTAG, BREMSE VENSTRE SORT	L.BRAKE HANDLE - F26.B
B	1	404084A	HÅNDTAG, BREMSE VENSTRE BLANK	L. BRAKE HANDLE SILVER F26.B
C	1	404085	BREMSEKLODS SÆT	BRAKE SHOE ASSY - F26.C



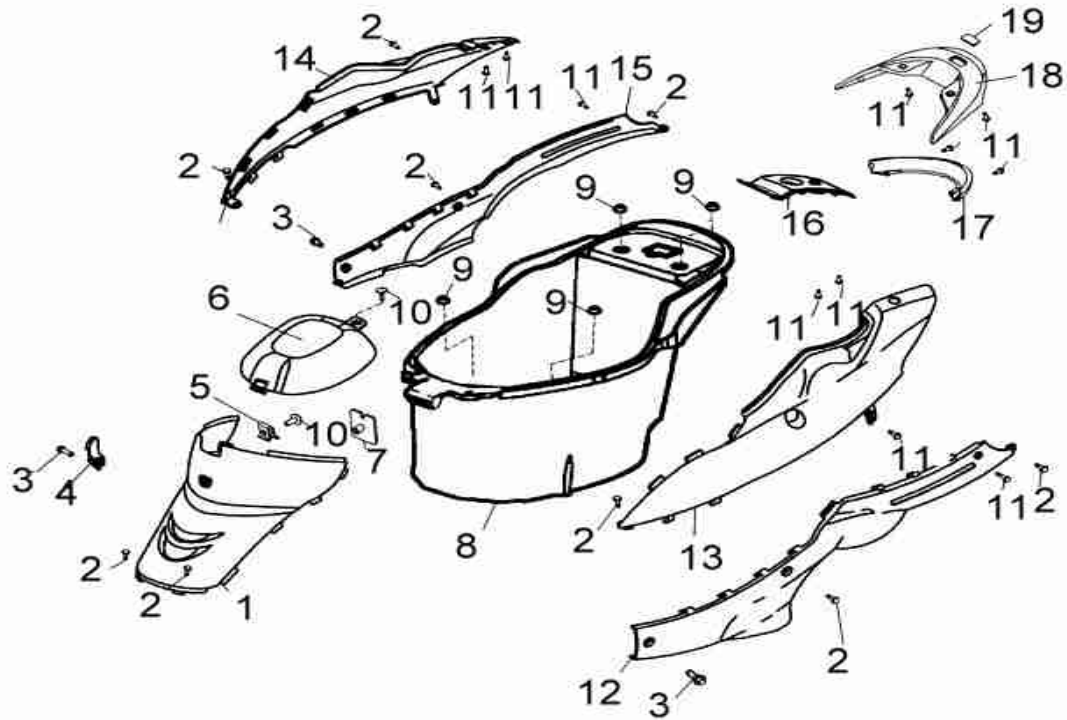
POS	QTY	PARTNUMBER	BESKRIVELSE	DESCRIPTION
1	1	404086	INSTRUMENTPANEL	METER ASSY FREE 50-4-F27.1
2	3	404087	SKRUE ST4.8X16	SCREW ST4.8X16 - F27.2
3	1	404088	SPEEDOMETER KABEL	SDPEEDOMETER CABLE - F27.3
4	1	404089	BOLT M5X16	BOLT M5X16 - F27.4
5	1	404090	LEDNINGSNET	WIREHARNESS - F27.5
6	6	401301	PÆRE 12V 4W	



POS	QTY	PARTNUMBER	BESKRIVELSE	DESCRIPTION
1	1	404091	BLINKLYS FOR VENSTRE GUL	INDICATOR FRONT RIGHT YELLOW - F28.1
1	1	404091A	BLINKLYS FOR VENSTRE HVID	INDICATOR FRONT RIGHT WHITE - F28.1
2	1	404092	BLINKLYS FOR HØJRE GUL	INDICATOR FRONT LEFT YELLOW - F28.2
2	1	404092A	BLINKLYS FOR HØJRE HVID	INDICATOR FRONT LEFT WHITE - F28.2
3	1	404093	POSITIONSLYGTE	HEAD LIGHT - F28.3
4	1	401306	PÆRE 12V 5W NETTOPRIS	BULB 12V 5W NETPRICE
5	2	700529	PÆRE 12V 10W	BULB 12V 10W
6	9	404094	SKRUE ST4.2X12	SCREW ST4.2X12 - F28.6



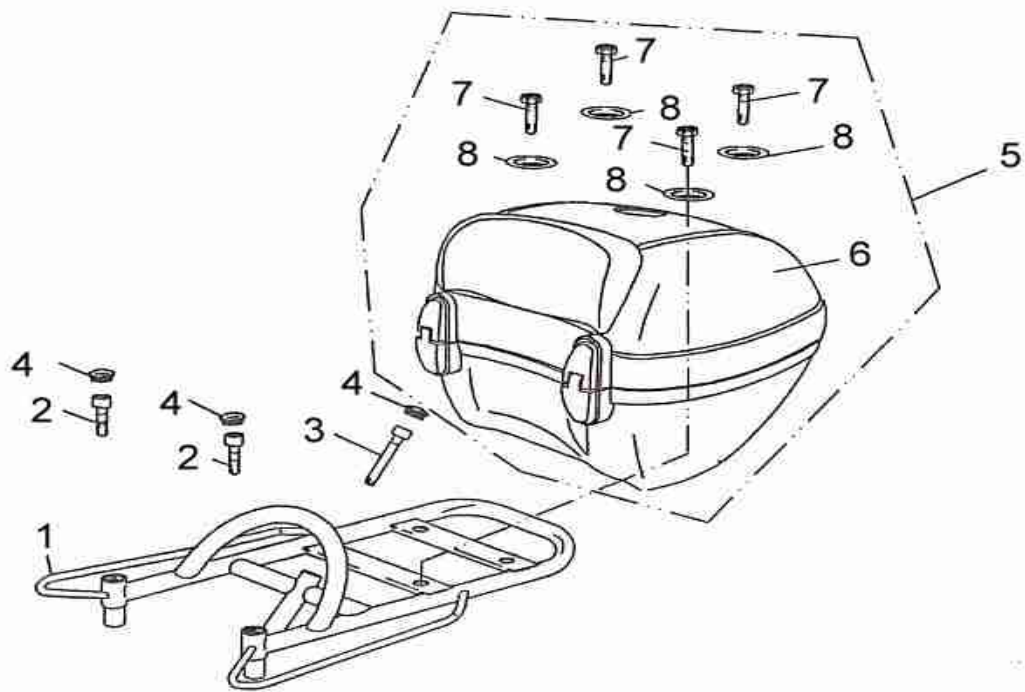
POS	QTY	PARTNUMBER	BESKRIVELSE	DESCRIPTION
1	1	404095	PANEL SORT	COVER FRONT BLACK - F29.1
1	1	404096	PANEL RØD	COVER FRONT RED - F29.1
1	1	404096A	PANEL RØD SPEEDY	COVER FRONT RED SPEEDY - F29.1
1	1	404097	PANEL BLÅ MED FLAMMER	COVER FRONT BLUE - F29.1
1	1	408676	PANEL BLÅ METALLIC	COVER BLUE METALLIC
2	1	404098	BOLT M6X14	BOLT M6X14 - F29.2
3	1	404099	PANEL SORT	FRONT COVER FRONT FENDER BLACK - F29.3
3	1	404100	PANEL RØD	FRONT COVER FRONT FENDER RED - F29.3
3	1	404101	PANEL SØLV	FRONT COVER FRONT FENDER SILVER - F29.3
4	1	404102	PANEL BAG VED STYR	COVER BEHIND STEER - F29.4
5	1	404103	KROG FOR	HOOK FRONT - F29.5
6	1	404104	BOLT M6X12	BOLT M6X12 - F29.6
7	1	404105	OPBEVARINGSRUM FOR	REAR COVER LOWER FRONT - F29.7
8	1	404106	LÅG	COVER BATTERYBOX - F29.8
9	1	404107	BATTERI HOLDER	BRACKET BATTERY - F29.9
10	1	404108	BATTERI BOKS	BATTERIBOX - F29.10
11	1	404109	BUNDPLADE	COVER LOWER - F29.11
12	1	404110	BRUG 402097	RUBBERMAT - F29.12
13	1	404111	BUNDPLADE UNDER	COVER UNDER SCOOTER - F29.13
14	4	404112	MØTRIK M6	NUT M6 - F29.14
15	1	404113	PLADE FOR STELNUMMER	COVER - F29.15
16	4	404114	BOLT M6X20	BOLT M6X20 - F29.16
17	4	404115	KLIPS	CLIP (4.8) - F29.17
18	7	404116	SKRUE ST4.8X16	SCREW ST4.8X16 - F29.18
19	16	404117	BRUG 296028	SCREW ST4.2X12 - F29.19
20	4	404118	KLIPS	CLIP (4.2) - F29.20



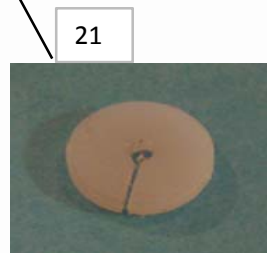
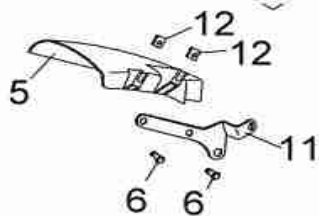
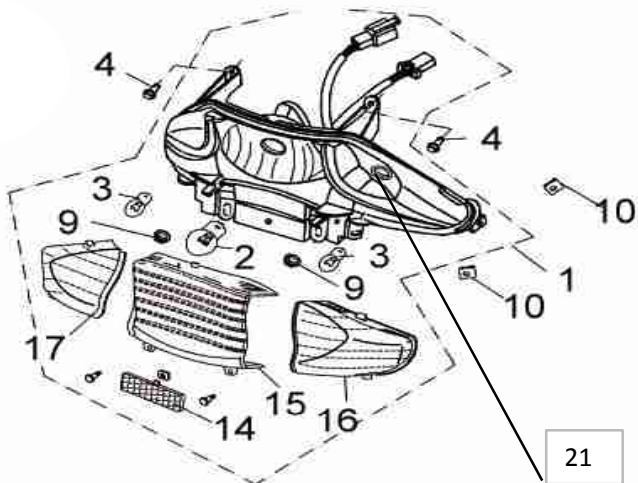
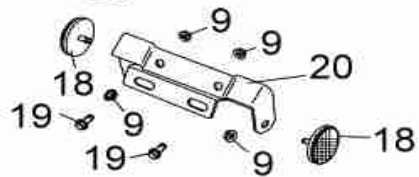
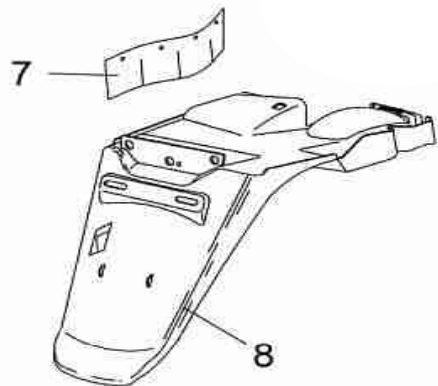
POS	QTY	PARTNUMBER	BESKRIVELSE	DESCRIPTION
1	1	404119	PANEL UNDER SÆDE FOR	COVER UNDER SEAT FRONT - F30.1
2	10	404120	BRUG 296039	SCREW ST4.8X16 - F30.2
3	3	404121	FLANGEBOLT M6X12	FLANGEBOLT M6X12 - F30.3
4	1	404122	KROG BAG	HOOK REAR F30.4
5	1	404123	SKRUE KLEMME	CLIP NUT - F30.5
6	1	404124	DÆKSEL FOR MOTOR	COVER FOR ENGINE - F30.6
7	1	404125	BESLAG	BRACKET FOR HOOK - F30.7
8	1	404126	SÆDEBRØND	SEAT INNER - F30.8
9	4	404127	MØTRIK M6	NUT M6 - F30.9
10	2	404128	BOLT	BOLT - F30.10
11	10	404129	BRUG 296028	USE 296028
12	1	404130	PANEL V. N. SORT 50-4 FREE	COVER LOWER LEFT BLACK FREE 50-4- F30.12
12	1	404131	PANEL V. N. RØD 50-4 RØD	COVER LOWER LEFT RED FREE 50-4 - F30.12
12	1	404132	PANEL V. N. SØLV 50-4 FREE	COVER LOWER L SILVER FREE 50-4- F30.12
12	1	404133	PANEL V. N. SØLV 30-4 FLASH	COVER LOWER L SILVER FLASH 30-4 F30.12
13	1	404134	PANEL V. Ø. SORT 50-4 FREE	COVER UPPER L BLACK FREE 50-4 - F30.13
13	1	404135	PANEL V. Ø. RØD 50-4 FREE	COVER UPPER LEFT RED FREE 50-4 - F30.13
13	1	404135A	PANEL V. Ø. RØD/SØLV 50-4 FREE	COVER UPPER L RED/SILVER FREE50-4 F30.13
13	1	404136	PANEL V.Ø. BLÅ FLASH MED FLAMMER	COVER UPPER L BLUE FLASH 30-4 - F30.14
13	1	408675	PANEL V.Ø BLÅ FLASH METALLIC	COVER UPPER BLUE FLASH (L)
14	1	404137	PANEL H. Ø. SORT 50-4 FREE	COVER UPPER R BLACK FREE 50-4 - F30.14
14	1	404138	PANEL H. Ø. RØD 50-4 FREE	COVER UPPER RIGHT RED FREE 50-4 - F30.14
14	1	404138A	PANEL H. Ø. RØD/SØLV 50-4 FREE	COVER UPPER R RED/SILVER FREE50-4 F30.14
14	1	404139	PANEL H.Ø. BLÅ FLASH MED FLAMMER	COVER UPPER R BLUE FLASH 30-4 - F30.14
14	1	408674	PANEL H.Ø BLÅ FLASH METALLIC	COVER UPPER FLASH METALLIC(R)
15	1	404140	PANEL H. N. SORT 50-4 FREE	COVER LOWER R BLACK FREE50-4 - F30.15
15	1	404141	PANEL H. N. RØD 50-4 FREE	COVER LOWER RIGHT RED FREE 50-4 - F30.15
15	1	404142	PANEL H. N. SØLV 50-4 FREE	COVER LOWER R SILVER FREE50-4 - F30.15
15	1	404143	PANEL H. N. SØLV 30-4 FLASH	COVER LOWER R SILVER FLASH30-4 - F30.15
16	1	404144	PANEL VED TANK SORT FREE 50-4	COVER FUELTANK BLACK FREE 50-4 - F30.16
16	1	404145	PANEL VED TANK RØD FREE 50-4	COVER FUELTANK RED FREE 50-4 - F30.16
16	1	404146	PANEL VED TANK BLÅ FLASH 30-4	COVER FUELTANK BLUE FLASH 30-4 - F30.16
17	1	404147	LYGTE PANEL, BAGERST SORT FREE 50-4	COVER TAILLAMP BLACK FREE 50-4- F30.17

POS	QTY	PARTNUMBER	BESKRIVELSE	DESCRIPTION
17	1	404148	LYGTE PANEL, BAGERST RØD FREE 50-4	COVER TAILLAMP RED FREE 50-4 - F30.17
17	1	404149	PANEL, BAGERST SØLV FREE 50-4/FLAS	COVER TAILLAMP SILVER FREE 50-4 F30.17
17	1	408677	PANEL BLÅ METALLIC	FRONT HEAD COVER BLUE METALLIC-F26.9
18	1	404150	PANEL BAGAGEBÆRER SORT FREE 50-4	COVER TAIL SUPPORT BLACK FREE50-4 F30.18
18	1	404151	PANEL BAGAGEBÆRER RØD FREE 50-4	COVER TAIL SUPPORT RED FREE 50-4 F30.18
18	1	404152	PANEL BAGAGEBÆRER BLÅ FLASH 30-4	COVER TAIL SUPPORT BLUE FLASH 30-4 - F30
19	1	404153	INDSTIK SORT FREE 50-4	INSERT COVER BLACK FREE 50-4 - F30.19B
19	1	404154	INDSTIK RØD FREE 50-4	INSERT COVER RED FREE 50-4 - F30.19B
19	1	404155	INDSTIK BLUE FLASH 30-4	INSERT COVER BLUE FLASH 30-4 - F30.19B

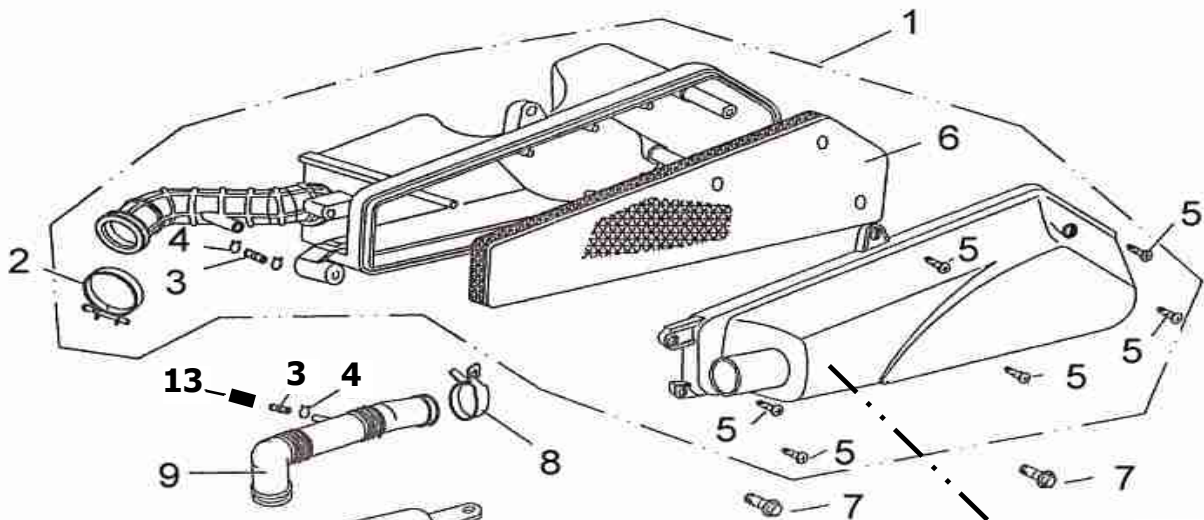
POS	QTY	PARTNUMBER	BESKRIVELSE	DESCRIPTION
18	1	404150	PANEL BAGAGEBÆRER SORT FREE 50-4	COVER TAIL SUPPORT BLACK FREE50-4 F30.18
18	1	404151	PANEL BAGAGEBÆRER RØD FREE 50-4	COVER TAIL SUPPORT RED FREE 50-4 F30.18
18	1	404152	PANEL BAGAGEBÆRER BLÅ FLASH 30-4	COVER TAIL SUPPORT BLUE FLASH 30-4 - F30
19	1	404153	INDSTIK SORT FREE 50-4	INSERT COVER BLACK FREE 50-4 - F30.19B
19	1	404154	INDSTIK RØD FREE 50-4	INSERT COVER RED FREE 50 -4 - F30.19B
19	1	404155	INDSTIK BLUE FLASH 30-4	INSERT COVER BLUE FLASH 30-4 - F30.19B



POS	QTY	PARTNUMBER	BESKRIVELSE	DESCRIPTION
1	1	404156	STØTTE BAG	CARRIER ASSY - F31.1
2	2	404157	BOLT M8X45	BOLT M8X45 - F31.2
3	1	404158	BOLT M8X85	BOLT M8X85 - F31.3
4	3	404159	GUMMIPAKNING	GASKET - F31.4
6	1	403779	BAGAGEBOKS SORT FREE50-4	LUGGAGEBOKS BLACK FREE50-4 - F31.6
6	1	403780	BAGAGEBOKS RØD FREE50-4	LUGGAGEBOKS RED FREE50-4 - F31.6
6	1	403781	BAGAGEBOKS BLÅ FLASH30-4	LUGGAGEBOX BLUE FLASH30-4-F31.6
7	3	404160	BOLT M8X40	BOLT M8X40 - F31.7
8	3	404161	SKIVE	WASHER - F31.8



POS	QTY	PARTNUMBER	BESKRIVELSE	DESCRIPTION
1	1	404162	BAGLYGTE KPL KLAR GLAS	REAR LIGHT ASSY CLEAR - F32.1
1	1	404162G	BAGLYGTE KPL GUL GLAS	REAR LIGTH ASSY YELLOW - F32.1
2	1	700530	PÆRE 12V 21/5W	BULB 12V 21/5W
3	2	700529	PÆRE 12V 10W	BULB 12V 10W
4	2	404163	BOLT M6X12	BOLT M6X12 - F32.4
5	1	404164	LILLE SKÆRM	SMALL FENDER - F32.5
6	2	404165	BOLT M5X12	BOLT M5X12 - F32.6
7	1	404166	GUMMI	RUBBER - F32.7
8	1	404167	BAGSKÆRM	REAR FENDER - F32.8
9	6	404168	MØTRIK M6	NUT M6 - F32.9
10	4	404169	KLIPS	CLIP (4.2) - F32.10
11	1	404170	BESLAG	FENDER FRAME - F32.11
12	2	404171	MØTRIK	NUT CLIP - F32.12
14	1	404173	REFLEKS	REAR REFLECT - F32.14
15	1	404174	BAGLYGTE GLAS	COVER TAIL LAMP RED - F32.15
16	1	404175	BLINKLYGTE GLAS, BAG, KLAR HØJRE	TURN COVER RIGHT CLEAR - F32.16
16	1	404175G	BLINKLYGTE GLAS, BAG, GUL HØJRE	TURN COVER RIGHT YELLOW - F32.16
17	1	404176	BLINKLYGTE GLAS, BAG, KLAR VENSTRE	TURN COVER LEFT CLEAR - F32.17
17	1	404176G	BLINKLYGTE GLAS, BAG, GUL VENSTRE	TURN COVER LEFT YELLOW - F32.17
18	2	404177	REFLEKS	REFLECT - F32.18
19	2	404178	BOLT M6X16	BOLT M6X16 - F32.19
20	1	404179	MONTERINGSSTYKKE	ASSEMBLING FRAME - F32.20
21	1	408017	SKIVE FOR FATNING	WASHER



13

3

4

9

10

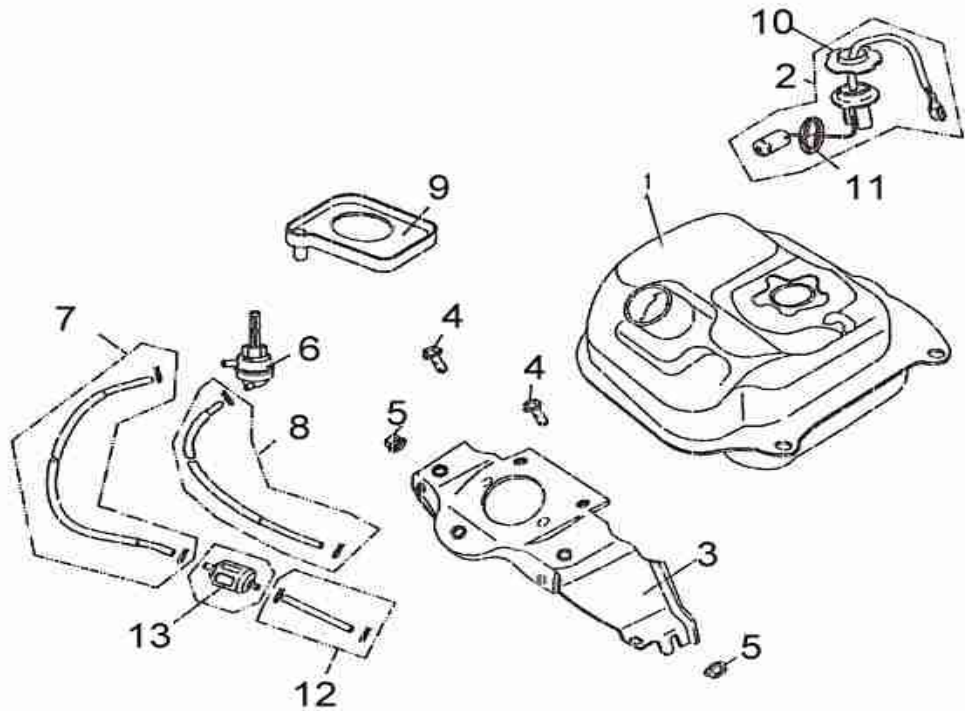
11

8

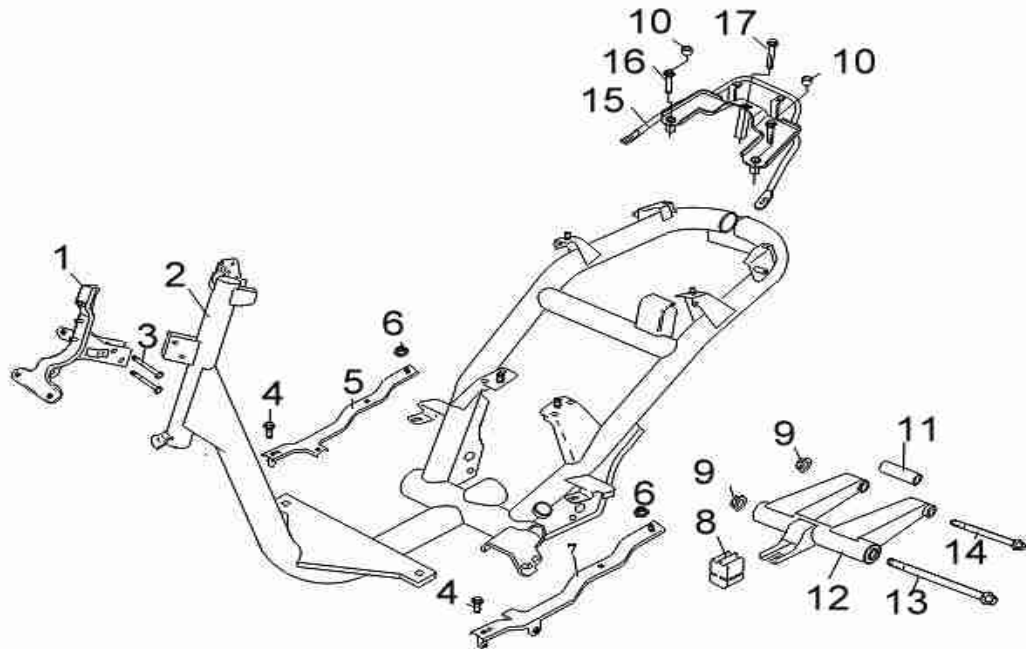
12

13

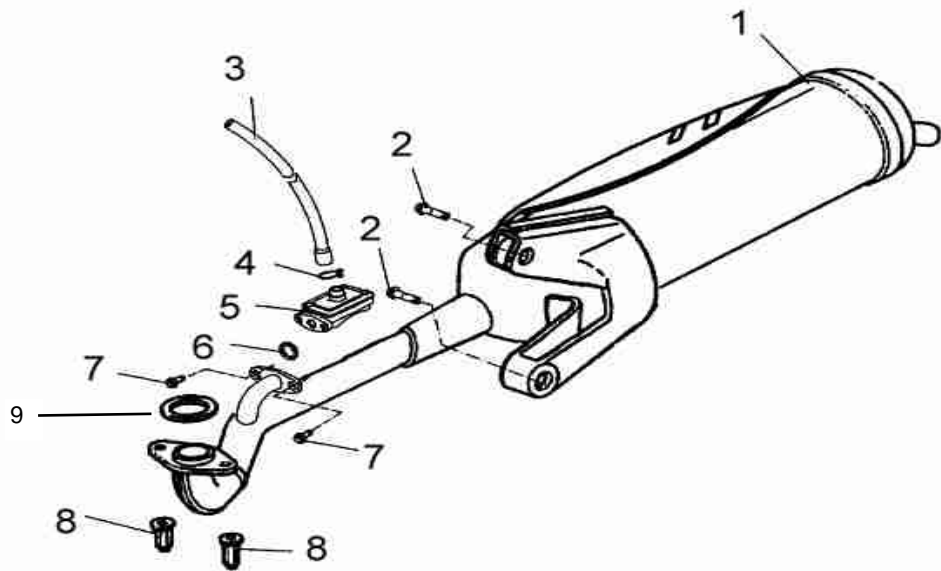
POS	QTY	PARTNUMBER	BESKRIVELSE	DESCRIPTION
1	1	404180	LUFTFILTER KPL	AIR CLEAN ASSY - F33.1
2	1	404181	SPÆNDEBÅND	CLIP, TUBE - F33.2
3	2	404182	RØR	TUBE - F33.3
4	2	404183	KLIPS	CLIP, TUBE (A) - F33.4
5	6	404184	SKRUE ST4.8X19	SCREW ST4.8X19 - F33.5
6	1	404185	LUFTFILTER ELEMENT	AIR FILER FOAM - F33.6
7	2	404186	BOLT M6X30	BOLT M6X30 - F33.7
8	1	404187	SPÆNDEBÅND	CLIP, TUBE - F33.8
9	1	404188	RØR MED VENTIL	INLET TUBE - F33.9
10	1	404189	LUFT RØR	AIR TUBE - F33.10
11	2	404190	SKRUE ST4.2X12	SCREW ST4.2X12 - F33.11
13	1	404182A	PROP/VENTIL	PLUG / VALVE



POS	QTY	PARTNUMBER	BESKRIVELSE	DESCRIPTION
1	1	404191	BRÆNDSTOFTANK	FUELTANK ASSY - F34.1
2	1	404192	BRÆNDSTOFMÅLER	FUEL METER - F34.2
3	1	404193	BESLAG	TAIL TANKBRACKET ASSY - F34.3
4	2	404194	BOLT M6X12	BOLT M6X12 - F34.4
5	2	404195	MØTRIK M6	NUT M6 - F34.5
6	1	404196	BENZINHANE	FUELVALVE - F34.6
7	1	404197	BENZINSLANGE	FUEL TUBE A - F34.7
8	1	404198	VAKUMSKLANGE	TUBE VACUUM - F34.8
9	1	404199	GUMMI	RUBBER - F34.9
10	1	404200	MØTRIK	NUT, FUELMETER - F34.10
11	1	404201	GUMMIPAKNIING	RUBBER GASKET - F34.11
12	1	404202	BENZINSLANGE B	FUEL TUBE B - F34.12
13	1	401123	BENZINFILTER	



POS	QTY	PARTNUMBER	BESKRIVELSE	DESCRIPTION
1	1	404203	MONTERINGSBESLAG FOR	FRONT BRACKET ASSY - F35.1
2	1	404204	CHASSIS	CHASSIS - F35.2
3	2	404205	BOLT M6X30	BOLT, FLANGE M6X30 - F35.3
4	2	404206	BOLT M6X12	BOLT M6X12 - F35.4
5	1	404207	MONTERINGSBESLAG HØJRE	RIGHT BRACKET ASSY - F35.5
6	2	404208	MØTRIK M6	NUT M6 - F35.6
7	1	404209	MONTERINGSBESLAG VENSTRE	LEFT BRACKET ASSY - F35.7
8	1	404210	GUMMIDÆMPER	RUBBER CUSHION - F35.8
9	2	404211	MØTRIK M10X1.25	NUT M10X1.25 - F35.9
10	2	404212	GUMMIHÆTTE	DUST COVER - F35.10
11	1	404213	BØS	BUSH - F35.11
12	1	404214	BAGSVING	REAR FRAME WELDING - F35.12
13	1	404215	AKSEL	REAR FRAME SHAFT - F35.13
14	1	404216	AKSEL FOR MOTOR	ENGINE SHAFT - F35.14
15	1	404217	MONTERINGSBESLAG	TAIL BRACKET ASSY - F35.15
16	2	404218	BOLT M8X45	BOLT M8X45 - F35.16
17	1	404219	BOLT M8X85	BOLT M8X85 - F35.17



POS	QTY	PARTNUMBER	BESKRIVELSE	DESCRIPTION
1	1	404220	UDSTØDNING KOMPLET SORT	MUFFLER WELDING ASSY BLACK - F36.1
1	1	404221	UDSTØDNING KOMPLET ALU	MUFFLER WELDING ASSY ALU - F36.1
2	2	404222	BOLT M8X35	BOLT M8X35 - F36.2
3-4	1	404223	SLANGE MED KLEMME	TUBU WITH CLAMP - F36.3-4
5	1	404224	VENTIL	VALVE - F36.5
6	1	404225	SKIVE	WASHER - F36.6
7	2	404226	BOLT M6X12	BOLT M6X12 - F36.7
8	2	404227	TOPMØTRIK	TOP NUT - F36.8
9	1	404220A	UDSTØDNINGSPAKNING	GASKET EXHAUST

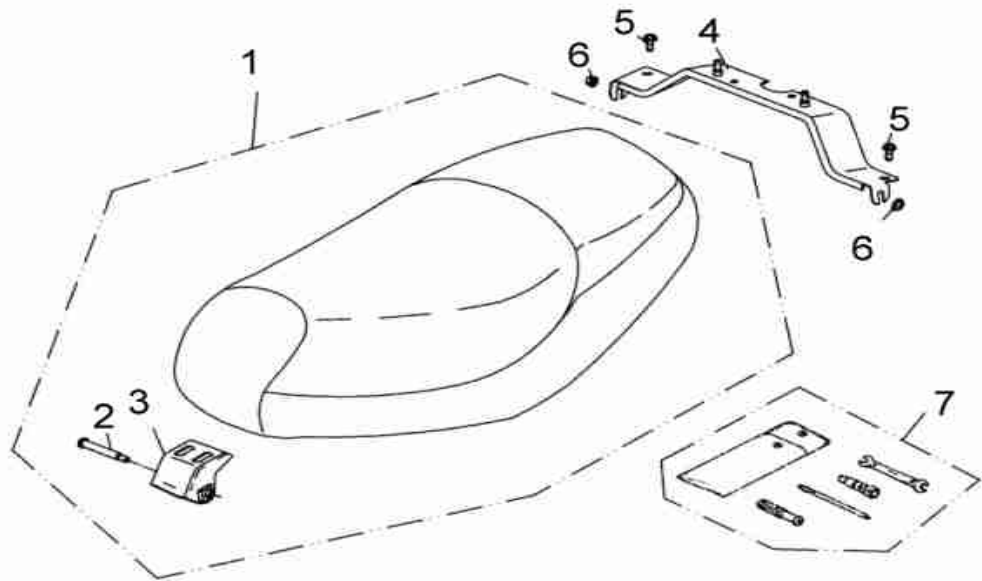
1



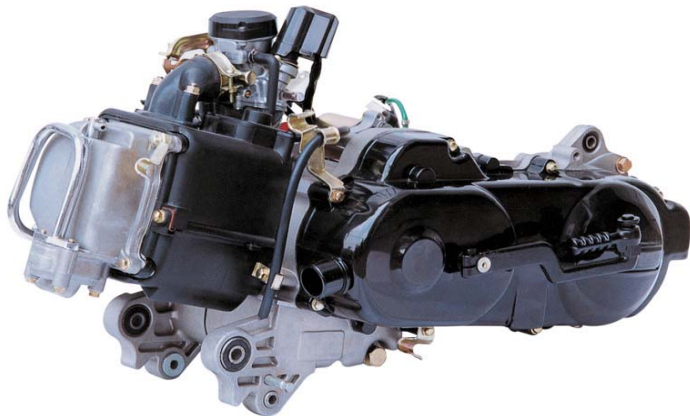
2



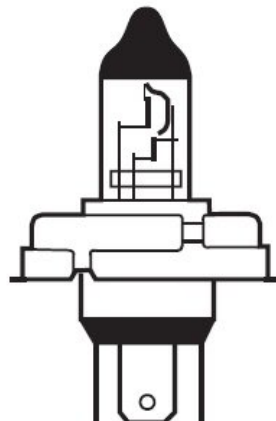
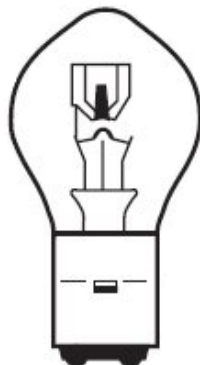
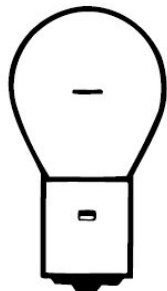
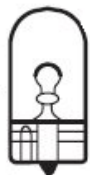
Pos	Vare nr. / Part no.	Qty	Beskrivelse	Description
1	404221	1	Udstødning Aluminium	Exhaust Aluminium
2	404220	1	Udstødning Sort	Exhaust Black



POS	QTY	PARTNUMBER	BESKRIVELSE	DESCRIPTION
1-3	1	404228	SÆDE MED BESLAG	SEAT ASSY - F37.1-3
4	1	404229	BESLAG	FRAME - F37.4
5	2	404230	BOLT M6X12	BOLT M6X12 - F37.5
6	2	404231	MØTRIK M6	NUT M6 - F37.6



Pos	Vare nr. / Part no.	Qty	Beskrivelse	Description
1	407616	1	Motor 45 KM - Uden karburator	Engine 45 KM - W/O carburetor
1	407617	1	Motor 30 KM - Uden karburator	Engine 30 KM - W/O carburetor



Texas Free 50-4
Texas Flash 30-4

Størrelse

Varenummer

Parkeringslys		
Forlygte	12V / 35/35W	401305
Baglygte	12V / 21/5W	700530
Blinklys - hvid pære	12V / 10W	700529
Blinklys - gul pære	12V / 10W	401303

