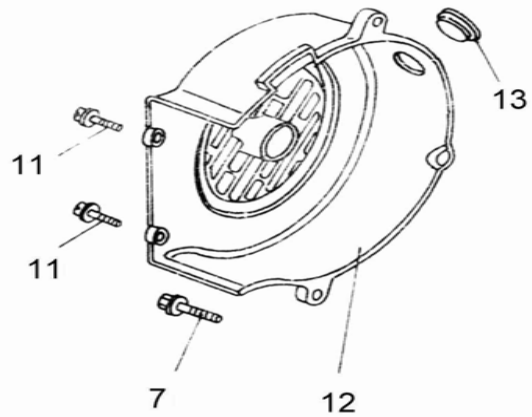
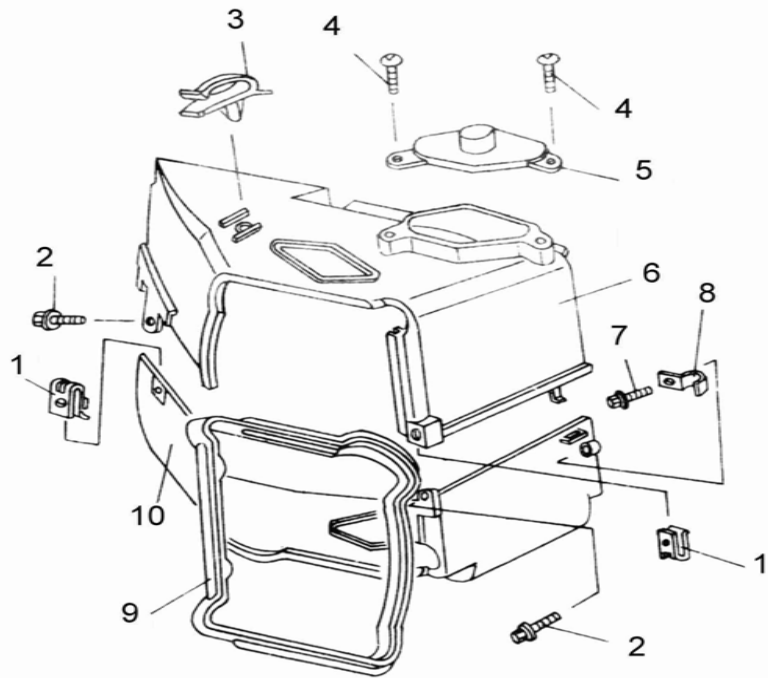
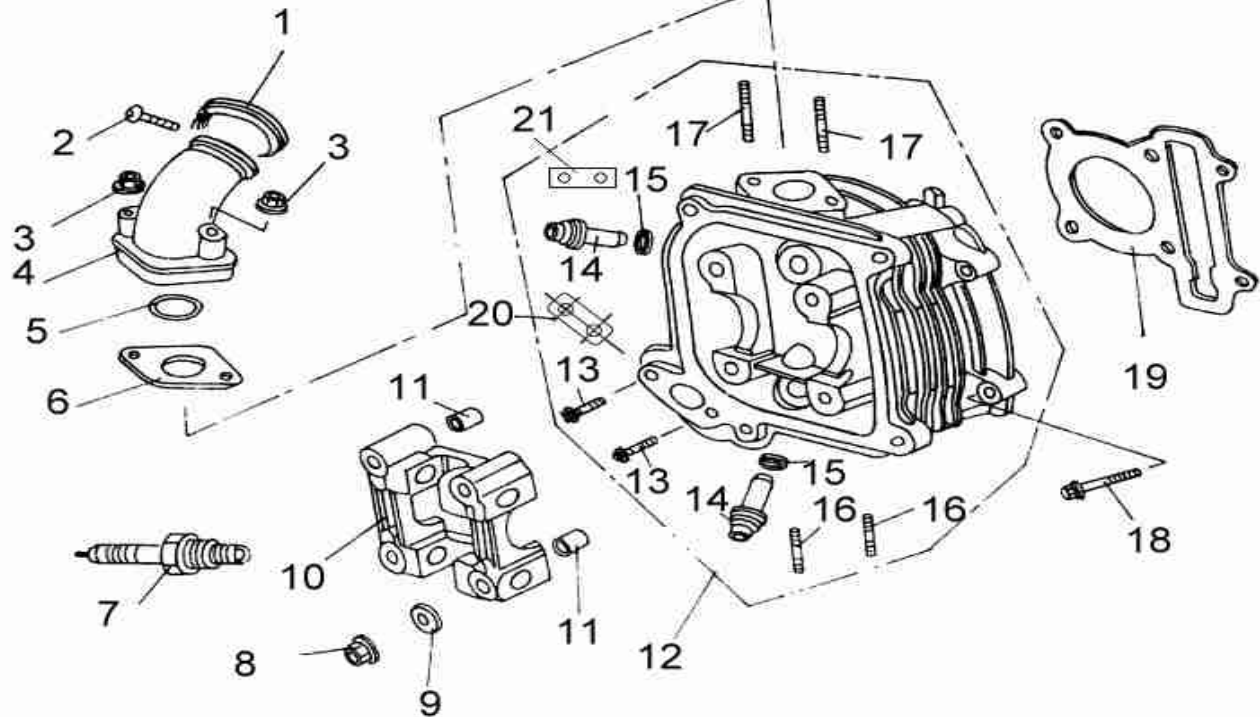


Flash X30 2008

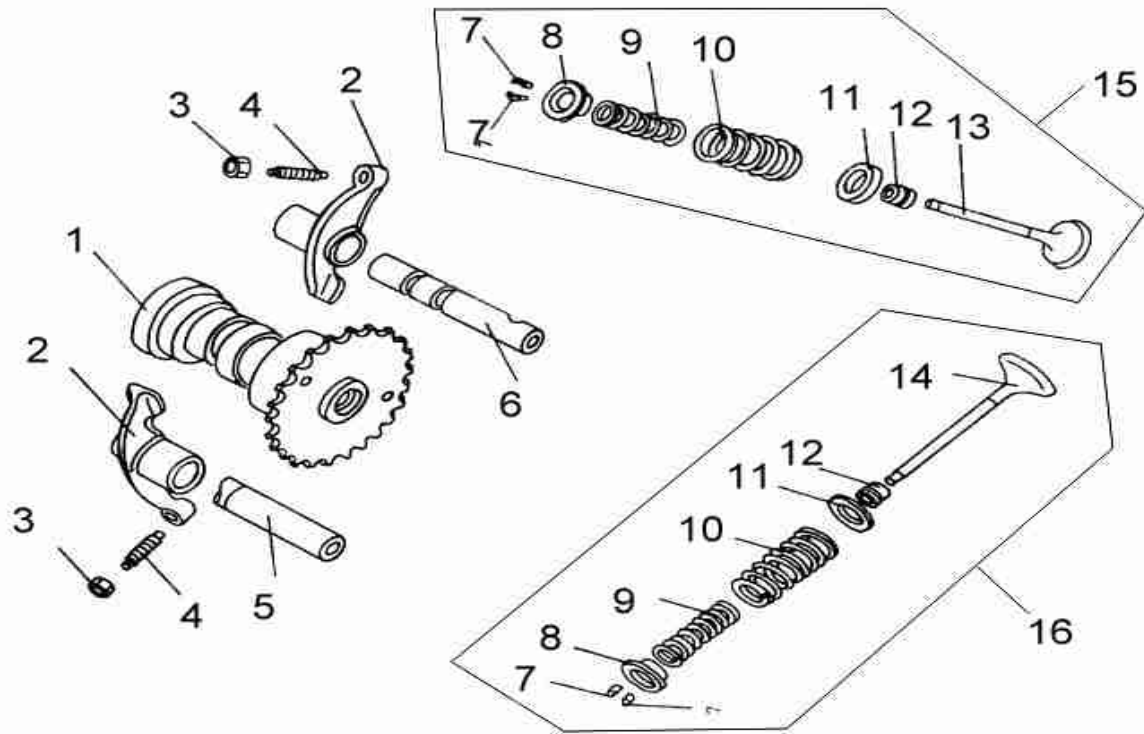




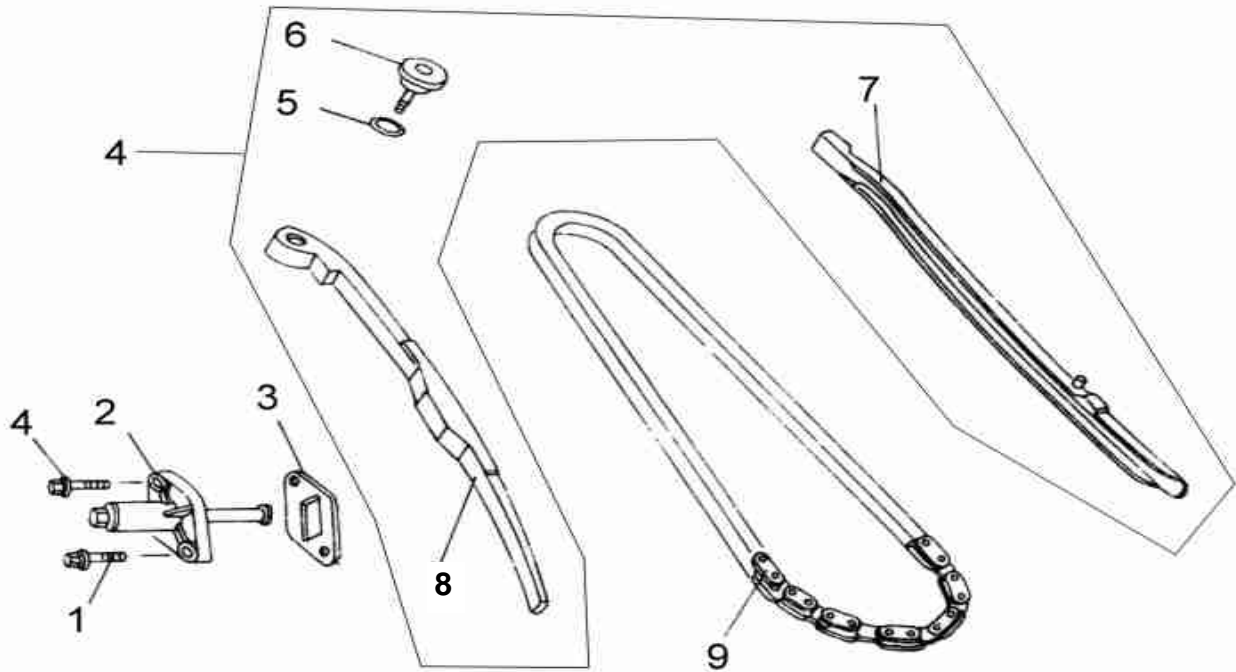
| POS | QTY | PARTNUMBER | BESKRIVELSE | DESCRIPTION |
|-----------|-----|------------|--------------------------------|-------------------------|
| 1+10 | 1 | 403800 | BLÆSEHUS NEDERST MED KLEMME | CLAMP - F1.1+10 |
| 2 | 2 | 403801 | BOLT M6X16 | BOLT M6X16 - F1.2 |
| 3-6 | 1 | 403802 | BLÆSEHUS ØVERST | FANHOUSING UPPER F1.3-6 |
| 7 | 2 | 403803 | BOLT M6X25 | BOLT M6X25 - F1.7 |
| 8 | 1 | 403804 | KLEMME | CLAMP F1.8 |
| 9 | 1 | 403805 | GUMMI PAKNING | SEAL RING - F1.9 |
| 11 | 2 | 403806 | BOLT M5X16 | BOLT M5X16 - F1.11 |
| 12- 13 | 1 | 403807 | BLÆSEHUS | COVER BREATHER - F1.12 |



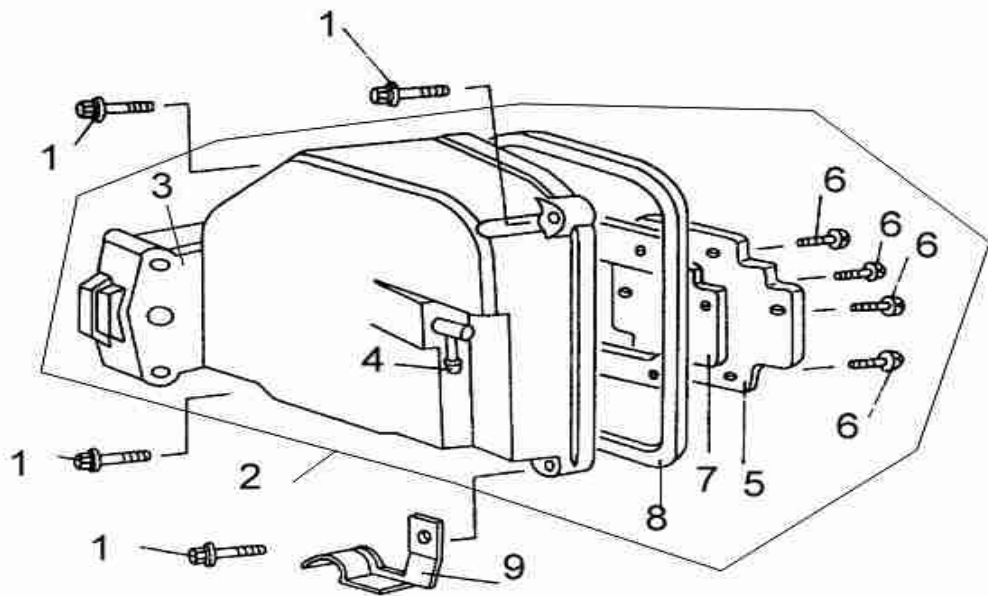
| POS | QTY | PARTNUMBER | BESKRIVELSE | DESCRIPTION |
|--------------|-----|------------|--------------------|----------------------------------|
| 1- 2+4 | 1 | 403808 | STUDS MED KLEMME | PIPE WITH CLAMP - F2.1-2+4 |
| 3 | 2 | 403809 | MØTRIK M6 | NUT M6 - F2.3 |
| 5 | 1 | 403810 | O-RING | ISOLATOR, O-RING - F2.5 |
| 6 | 1 | 403811 | PAKNING | GASKET - F2.6 |
| 7 | 1 | 10011448 | TÆNDRØR U20FSRU | U20FSRU |
| 8 | 4 | 403812 | MØTRIK | CYLINDER HEAD NUT - F2.8 |
| 9 | 4 | 403813 | SKIVE | CYLINDER HEAD WASHER - F2.9 |
| 10 | 1 | 403814 | LEJEVERFALD | CAM SEAT - F2.10 |
| 11 | 2 | 403815 | STYREBØS | GUIDEBUSH - F2.11 |
| 12+1 4+15 | 1 | 403816 | TOPSTYKKE | CYLINDER HEAD ASSY - F2.12+14-15 |
| 13 | 2 | 403817 | BOLT M6X16 | BOLT M6X16 - F2.13 |
| 16 | 2 | 403818 | BOLT | BOLT, EXHAUST MUFFLER - F2.16 |
| 17 | 2 | 403819 | BOLT | CARBURETOR BOLT, STUD - F2.17 |
| 18 | 2 | 403820 | BOLT M6X85 | BOLT M6X85 - F2.18 |
| 19 | 1 | 403821 | TOPPAKNING | HEAD GASKET - F2.19 |
| 20 | 1 | 403822 | LÅG | CAP - F2.20 |
| 21 | 1 | 403823 | GUMMI PAKNING, LÅG | CAP RUBBER GASKET - F2.21 |



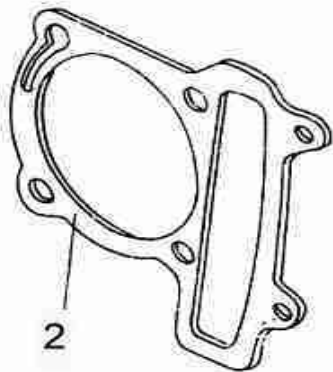
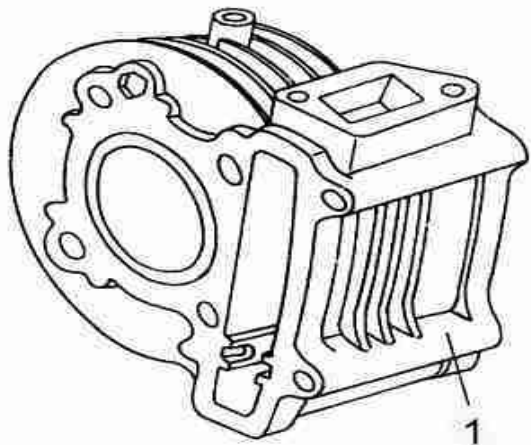
| POS | QTY | PARTNUMBER | BESKRIVELSE | DESCRIPTION |
|-----|-----|------------|------------------------|---------------------------|
| 1 | 1 | 403824 | KNASTAKSEL | CAMSHAFT - F3.1 |
| 2 | 2 | 403825 | VIPPEARMS | ROCKERARM ASSY - F3.2 |
| 3 | 1 | 403825C | MØTRIK FOR STILLESKRUE | NUT FOR ADJUSTMENT |
| 4 | 1 | 403825D | STILLESKRUE FOR VENTIL | ADJUSTMENT SCREW |
| 5 | 1 | 403825A | AKSEL Udstødningsside | SHAFT EXHAUST |
| 6 | 1 | 403825B | AKSEL Indsugningsside | SHAFT INTAKE |
| 7 | 2 | 403826 | VENTIL LÅS | VALVE LOCK - F3.7 |
| 8 | 2 | 403827 | BUND FOR FJEDER | SPRINGSEAT UPPER - F3.8 |
| 9 | 2 | 403828 | VENTIL FJEDER INDRE | VALVESPRING INNER - F3.9 |
| 10 | 2 | 403829 | VENTIL FJEDER YDRE | VALVESPRING OUTER - F.310 |
| 11 | 2 | 403830 | BUND FOR FJEDER | SPRINGSEAT LOWER - F3.11 |
| 12 | 2 | 403831 | PAKDÅSE | SEAL - F3.12 |
| 13 | 1 | 403832 | VENTIL IND | VALVE INTAKE - F3.13 |
| 14 | 1 | 403833 | VENTIL UD | VALVE EXHAUST - F3.14 |



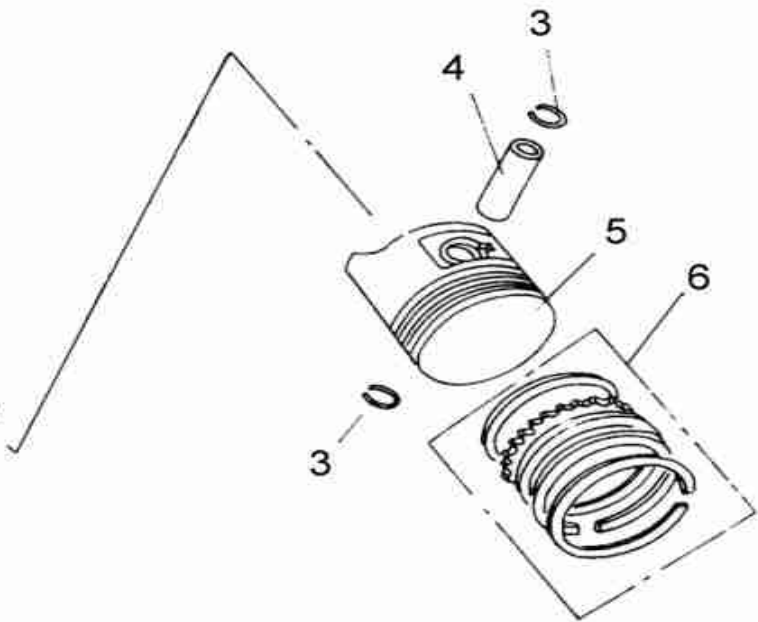
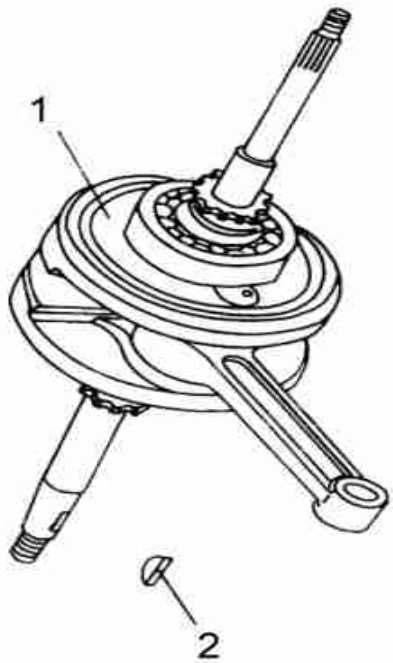
| POS | QTY | PARTNUMBER | BESKRIVELSE | DESCRIPTION |
|-----|-----|------------|------------------|------------------------|
| 1 | 2 | 403834 | BOLT M6X16 | BOLT M6X16 - F4.1 |
| 2 | 1 | 403835 | JUSTERINGSKÆDE | TENSIONER ASSY - F4.2 |
| 3 | 1 | 403836 | PAKNING | GASKET - F4.3 |
| 5 | 1 | 403837 | O-RING | O-RING - F4.5 |
| 6 | 1 | 403838 | SKRUE | SCREW - F4.6 |
| 7 | 1 | 403839 | KÆDESTYR NEDERST | TENSIONER LOWER - F4.7 |
| 8 | 1 | 403840 | KÆDESTYR ØVERST | TENSIONER UPPER- F4.8 |
| 9 | 1 | 403841 | KNASTKÆDE | CAMCHAIN - F4.9 |



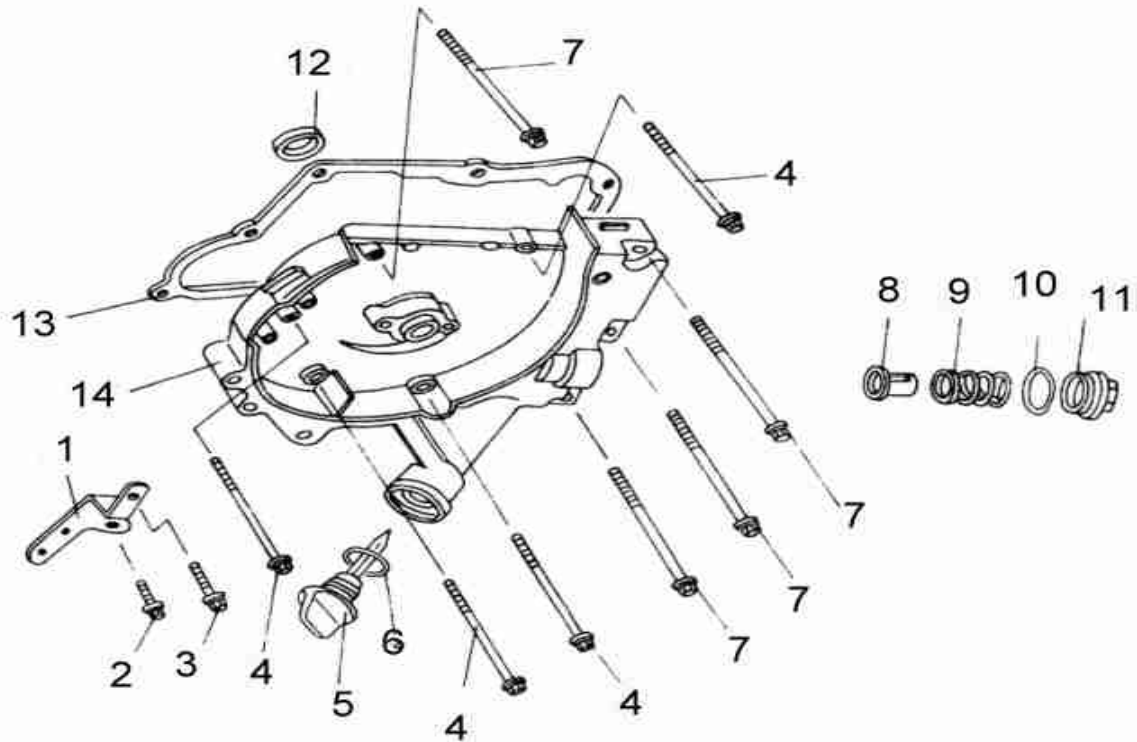
| POS | QTY | PARTNUMBER | BESKRIVELSE | DESCRIPTION |
|-----|-----|------------|--------------|--------------------------------------|
| 1 | 4 | 403842 | BOLT M6X25 | BOLT M6X25 - F5.1 |
| 3 | 1 | 403843 | VENTILDÆKSEL | CYLINDER COVER - F5.3 |
| 4 | 1 | 403844 | VENTILRØR | VENTILATING TUBE CONNECTOR - F5.4 |
| 5 | 1 | 403845 | DÆKSEL | VENTILATING CHAMBER COVER - F5.5 |
| 6 | 4 | 403846 | BOLT M4X8 | BOLT M4X8 - F5.6 |
| 7 | 1 | 403847 | PAKNING | VENTILATING CHAMBER GASKET - F5.7 |
| 8 | 1 | 403848 | PAKNING | CYLINDER COVER GASKET - F5.8 |
| 9 | 1 | 403849 | HOLDER | CLIPTUBE - F5.9 |



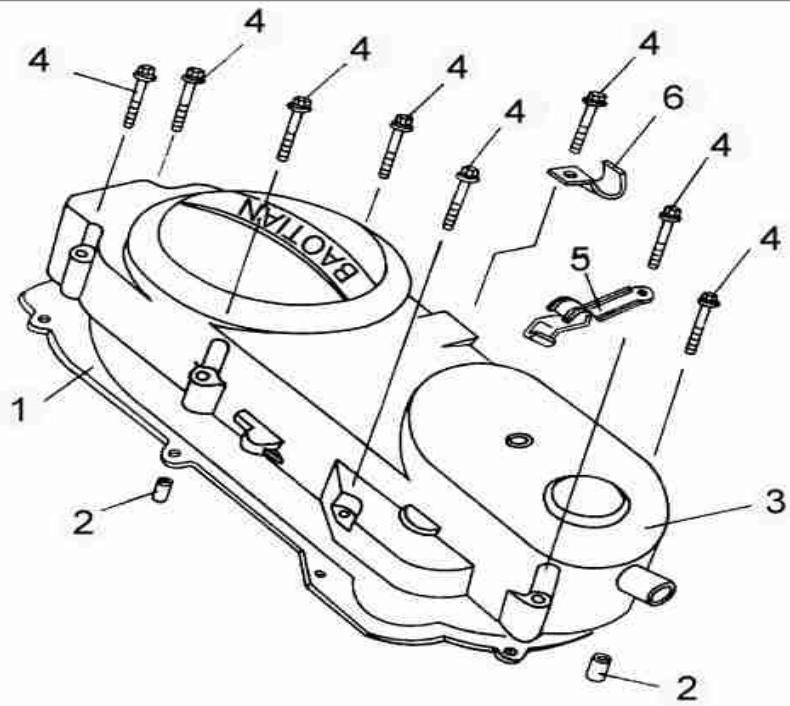
| POS | QTY | PARTNUMBER | BESKRIVELSE | DESCRIPTION |
|-----|-----|------------|-----------------|-------------------------|
| 1 | 1 | 403850 | CYLINDER | CYLINDER ASSY - F6.1 |
| 2 | 1 | 403851 | CYLINDERPAKNING | GASKET, CYLINDER - F6.2 |
| 3 | 2 | 403852 | STYREBØS | GUIDEBUSH - F6.3 |



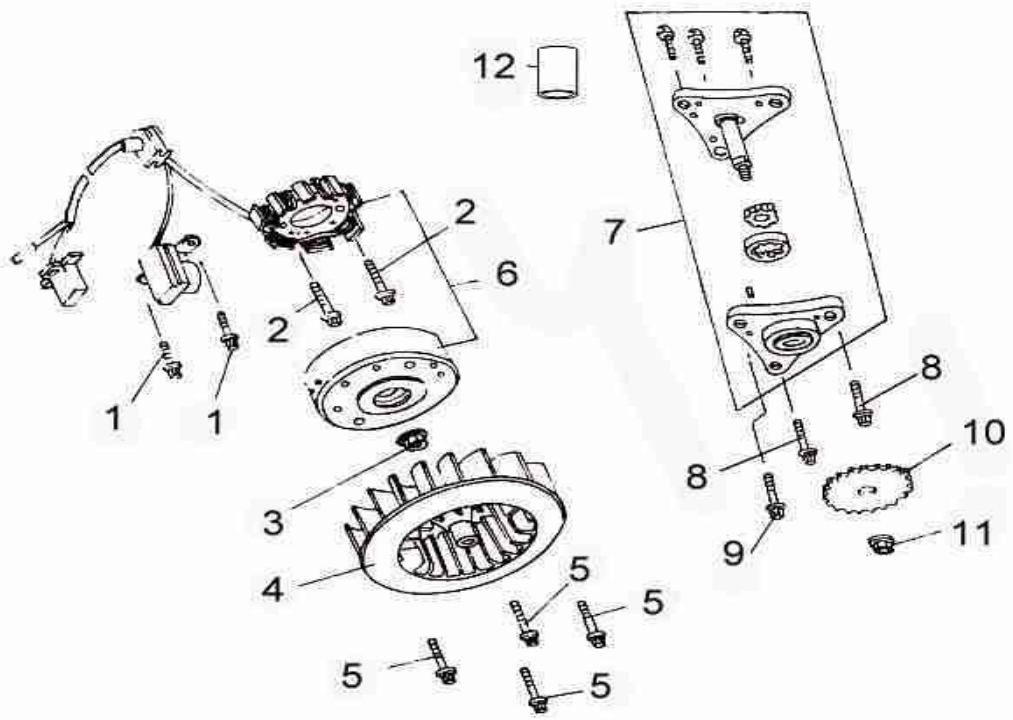
| POS | QTY | PARTNUMBER | BESKRIVELSE | DESCRIPTION |
|-----|-----|------------|-------------------|----------------------------|
| 1-2 | 1 | 403853 | KRUMTAP MED FEDER | GRANKSHAFT WITH KEY - F7.1 |
| 3 | 2 | 403854 | LÅS | PISTON PIN CLIP - F7.3 |
| 4 | 1 | 403855 | KRYDSPIND | PIN PISTON - F7.4 |
| 5 | 1 | 403856 | STEMPEL | PISTON - F7.5 |
| 6 | 1 | 403857 | STEMPEL RINGE SÆT | PISTON RING ASSY - F7.6 |



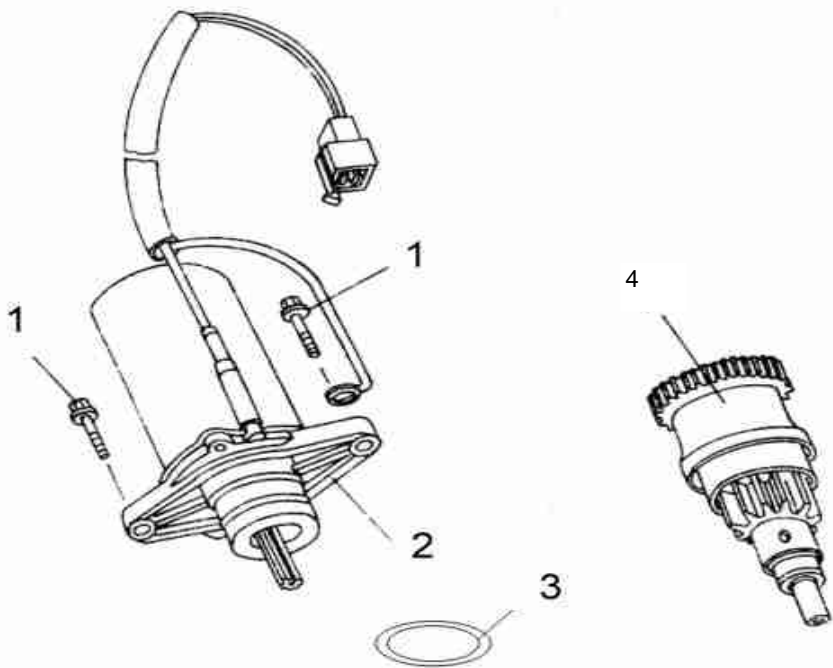
| POS | QTY | PARTNUMBER | BESKRIVELSE | DESCRIPTION |
|-----|-----|------------|---------------|---------------------------------|
| 1 | 1 | 403858 | BESLAG | FENDER FRAME - F8.1 |
| 2 | 1 | 403859 | BOLT M6X16 | BOLT M6X16 - F8.2 |
| 3 | 1 | 403860 | BOLT M6X25 | BOLT M6X25 - F8.3 |
| 4 | 4 | 403861 | BOLT M6X85 | BOLT M6X85 - F8.4 |
| 5 | 1 | 403862 | OLIE MÅLER | OIL LEVEL GAUGE - F8.5 |
| 6 | 1 | 403863 | O-RING | O-RING, OIL FILTER - F8.6 |
| 7 | 4 | 403864 | BOLT M6X100 | BOLT M6X100 - F8.7 |
| 8 | 1 | 403865 | OLIE FILTER | OIL FILTER - F8.8 |
| 9 | 1 | 403866 | FJEDER | SPRING, OIL FILTER - F8.9 |
| 10 | 1 | 403867 | O-RING | O-RING,OIL FILTER COVER - F8.10 |
| 11 | 1 | 403868 | PROP, OLIE | CAP, OIL FILTER COVER - F8.11 |
| 12 | 1 | 403869 | PAKDÅSE | OIL SEAL ASSY, R-COVER - F8.12 |
| 13 | 1 | 403870 | PAKNING | GASKET, R-COVER - F8.13 |
| 14 | 1 | 403871 | DÆKSEL, HØJRE | RIGHT COVER - F8.14 |



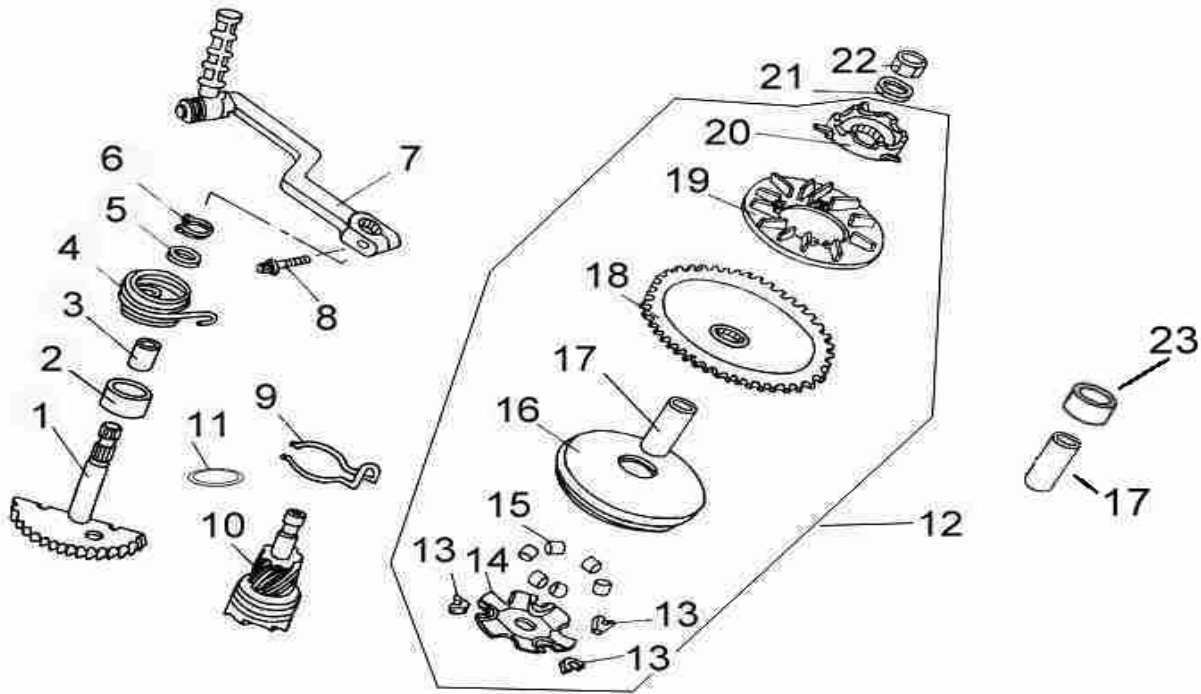
| POS | QTY | PARTNUMBER | BESKRIVELSE | DESCRIPTION |
|-----|-----|------------|----------------------------|------------------------------|
| 1 | 1 | 403872 | PAKNING | GASKET, L-COVER - F9.1 |
| 2 | 2 | 403873 | STIFT | DOWEL PIN - F9.2 |
| 3 | 1 | 403874 | DÆKSEL "BAOTIAN" | LEFT COVER "BAOTIAN" - F9.3 |
| 3 | 1 | 403874A | DÆKSEL "TEXAS" | LEFT COVER "TEXAS" -F9.3 |
| 4 | 8 | 403875 | BOLT M6X35 | BOLT M6X35 - F9.4 |
| 5 | 1 | 403876 | KABELHOLDER | CLAMPER ASSY - F9.5 |
| 6 | 1 | 403877 | KABELHOLDER BREMSEKABEL | CLAMPER, BRAKER CABLE - F9.6 |



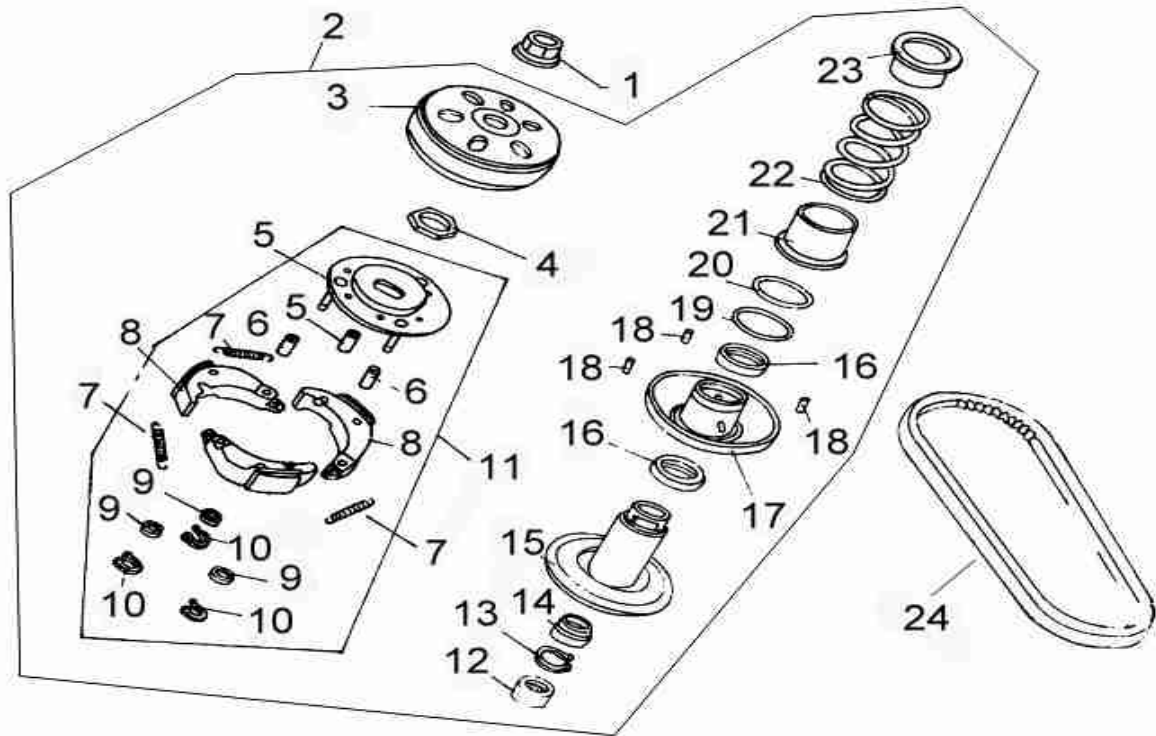
| POS | QTY | PARTNUMBER | BESKRIVELSE | DESCRIPTION |
|-----|-----|------------|-------------------|-------------------------------|
| 1 | 2 | 403878 | BOLT M5X12 | BOLT M5X12 - F10.1 |
| 2 | 2 | 403879 | BOLT M6X22 | BOLT M6X22 - F10.2 |
| 3 | 1 | 403880 | MØTRIK M10X1.25 | R.NUT, CAMSHAFT - F10.3 |
| 4 | 1 | 403881 | BLÆSEHJUL | COOLING FAN - F10.4 |
| 5 | 4 | 403882 | BOLT M6X16 | BOLT M6X16 - F10.5 |
| 6 | 1 | 403883 | GENERATOR KPL | GENERATOR ASSY - F10.6 |
| 7 | 1 | 403884 | OLIEPUMPE KOMPLET | OIL PUMP ASSY - F10.7 |
| 8 | 2 | 403885 | BOLT M6X20 | BOLT M6X20 - F10.8 |
| 9 | 1 | 403886 | BOLT M6X25 | BOLT M6X25 - F10.9 |
| 10 | 1 | 403887 | TANDHJUL | CHAIN OIL PUMP DIVER - F10.10 |
| 11 | 1 | 403888 | MØTRIK M6 | NUT M6 - F10.11 |
| 12 | 1 | 403889 | PAL | OIL PUMP DOWEL PIN - F10.12 |



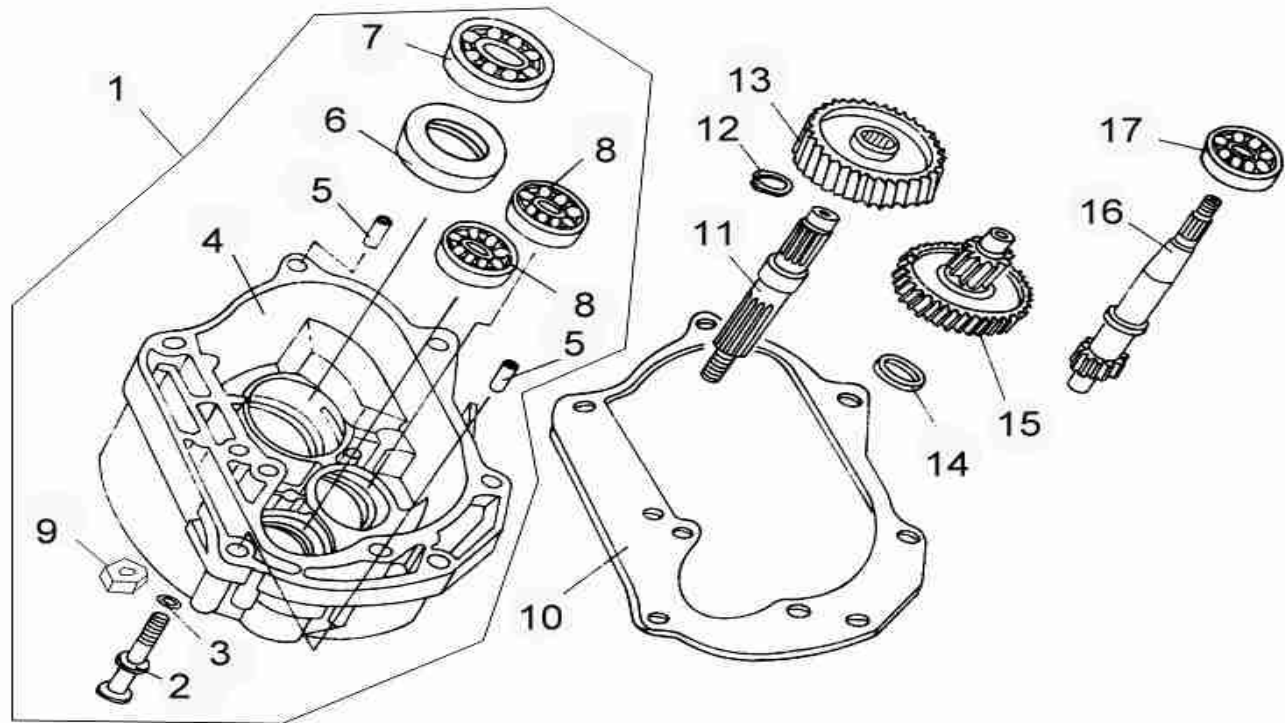
| POS | QTY | PARTNUMBER | BESKRIVELSE | DESCRIPTION |
|------------|------------|-------------------|-----------------------|---------------------------------|
| 1 | 2 | 403890 | BOLT M6X25 | BOLT M6X25 - F11.1 |
| 2-3 | 1 | 403891 | STARTER MOTOR KOMPLET | STARTER MOTOR ASSY - F11.2 |
| 4 | 1 | 403892 | STARTERDREV ELSTART | SINGLE DIRECTOR ASSY - F11.4 |



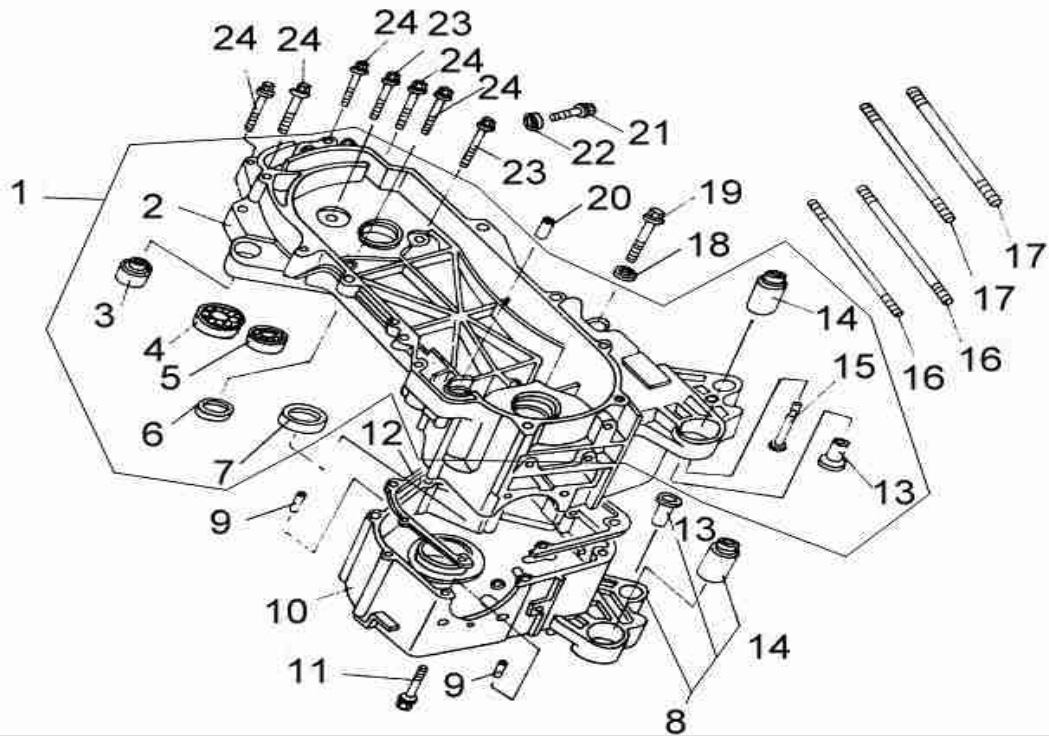
| POS | QTY | PARTNUMBER | BESKRIVELSE | DESCRIPTION |
|-------|-----|------------|------------------------------------|-----------------------------------|
| 1 | 1 | 403893 | STARTERDREV KICKSTART KORT 48MM | KICK STARTER SHAFT SHORT 48MM |
| 2 | 1 | 403893A | BØS | BUSH - F12.2 |
| 3 | 1 | 403893B | BØS | BUSH F12.3 |
| 4 | 1 | 403893C | FJEDER | SPRING - F12.4 |
| 5 | 1 | 403993D | SKIVE | WASHER - F12.5 |
| 6 | 1 | 403893E | LÅSERING | LOCKRING - F12.6 |
| 7 | 1 | 403894 | KICK STARTER ARM | ARM ASSY, KICK STARTER - F12.7 |
| 8 | 1 | 403895 | BOLT M6X22 | BOLT M6X22 - F12.8 |
| 9 | 1 | 403896 | FJEDER | SPRING - F12.9 |
| 10 | 1 | 403897 | GEAR | GEAR COMP, IDLE - F12.10 |
| 11 | 1 | 403898 | SKIVE | WASHER - F12.11 |
| 12-20 | 1 | 403900 | VARIO KOMPLET 30 KM | VARIO ASSY 30 KM |
| 13 | 1 | 407614 | GLIDESTYKKE FOR VARIO | HOLDER FOR VARIO |
| 17 | 1 | 404338 | BØS 30KM/T | BUSH FLASH 30-4 F12.17 |
| 21 | 1 | 403901 | SKIVE Ø12 | WASHER Ø12 - F12.21 |
| 22 | 1 | 403902 | MØTRIK M12X1.25 | NUT M12X1.25 - F12.22 |
| 23 | 1 | 404339 | RING 30KM/T 7,5MM | RING 30KM 7,5MM-F12.23 |



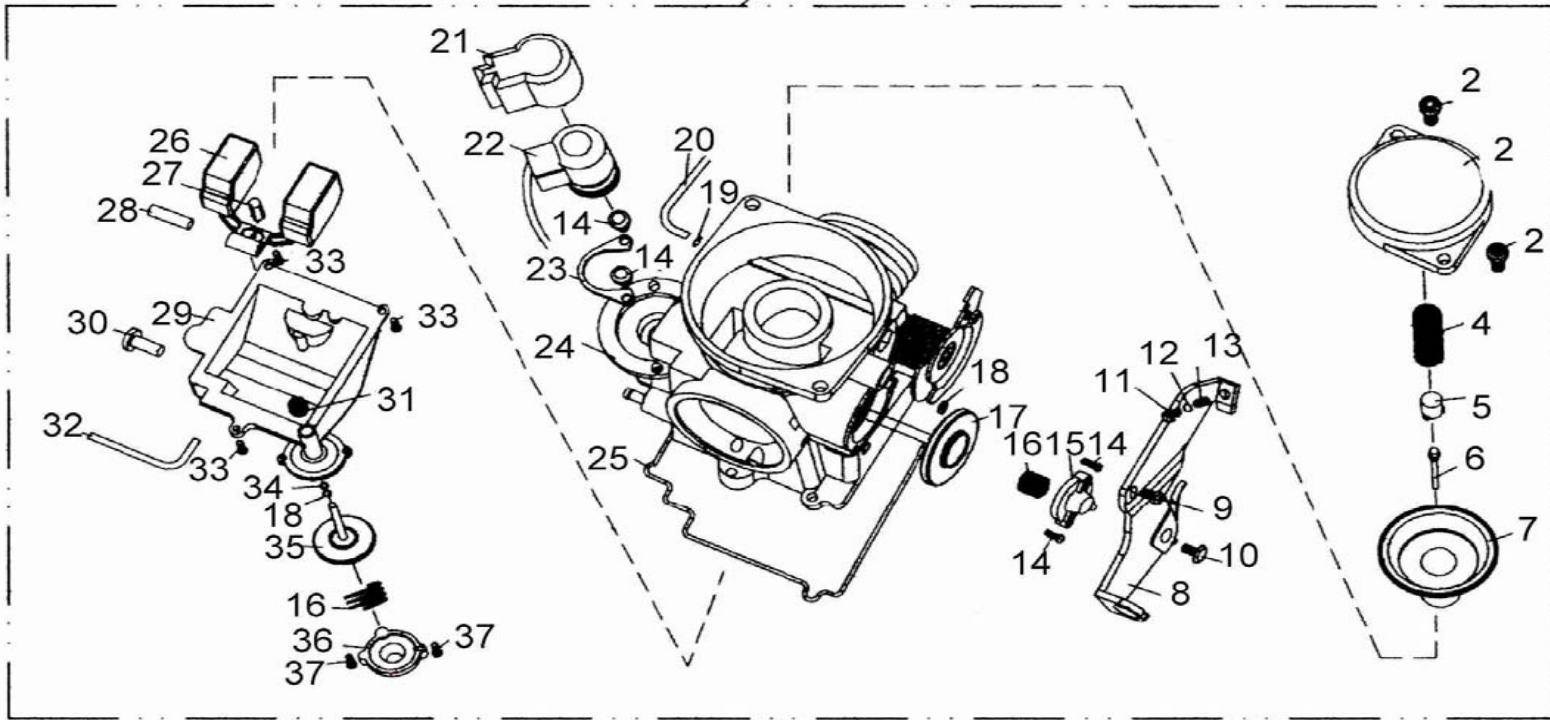
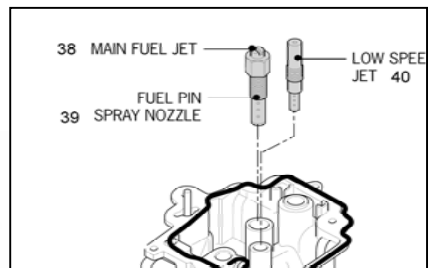
| POS | QTY | PARTNUMBER | BESKRIVELSE | DESCRIPTION |
|------|-----|------------|-----------------|----------------------------|
| 1 | 1 | 403903 | MØTRIK M10X1.25 | NUT M10X1.25 - F13.1 |
| 2-23 | 1 | 403904 | KOBLING KOMPLET | DRIVER PULLER ASSY - F13.2 |
| 24 | 1 | 403905 | REM | V-BELT - F13.24 |



| POS | QTY | PARTNUMBER | BESKRIVELSE | DESCRIPTION |
|------|-----|------------|----------------------|------------------------------------|
| 1 | 1 | 403906 | GEARKASSE KPL | REAR TRANSMISSION BOX ASSY - F14.1 |
| 2+11 | 1 | 403907 | AKSEL MED PAL | SHAFT ASSY - F14.2 |
| 3 | 1 | 403908 | O-RING | O-RING - F14.3 |
| 4 | 1 | 403909 | DÆKSEL FOR GEARKASSE | REAR TRANSMISSION BOX - F14.4 |
| 5 | 2 | 403910 | BØS | PIN- F14.5 |
| 6 | 1 | 403911 | PAKDÅSE | OIL SEAL ASSY - F14.6 |
| 7 | 1 | 403912 | LEJE | BEARING - F14.7 |
| 8 | 2 | 403913 | LEJE | BEARING - F14.8 |
| 9 | 1 | 403914 | MØTRIK M8 | NUT M8 - F14.9 |
| 10 | 1 | 403915 | PAKNING | GASKET, REAR COVER - F14.10 |
| 12 | 1 | 403916 | LÅS | CLIP - F14.12 |
| 13 | 1 | 403917 | GEAR, TANDHJUL | GEAR - F14.13 |
| 14 | 1 | 403918 | SKIVE | WASHER - F14.14 |
| 15 | 1 | 403919 | AKSEL | COUNTERSHAFT - F14.15 |
| 16 | 1 | 403920 | AKSEL | DRIVESHAFT - F14.16 |
| 17 | 1 | 403921 | LEJE | BEARING - F14.17 |

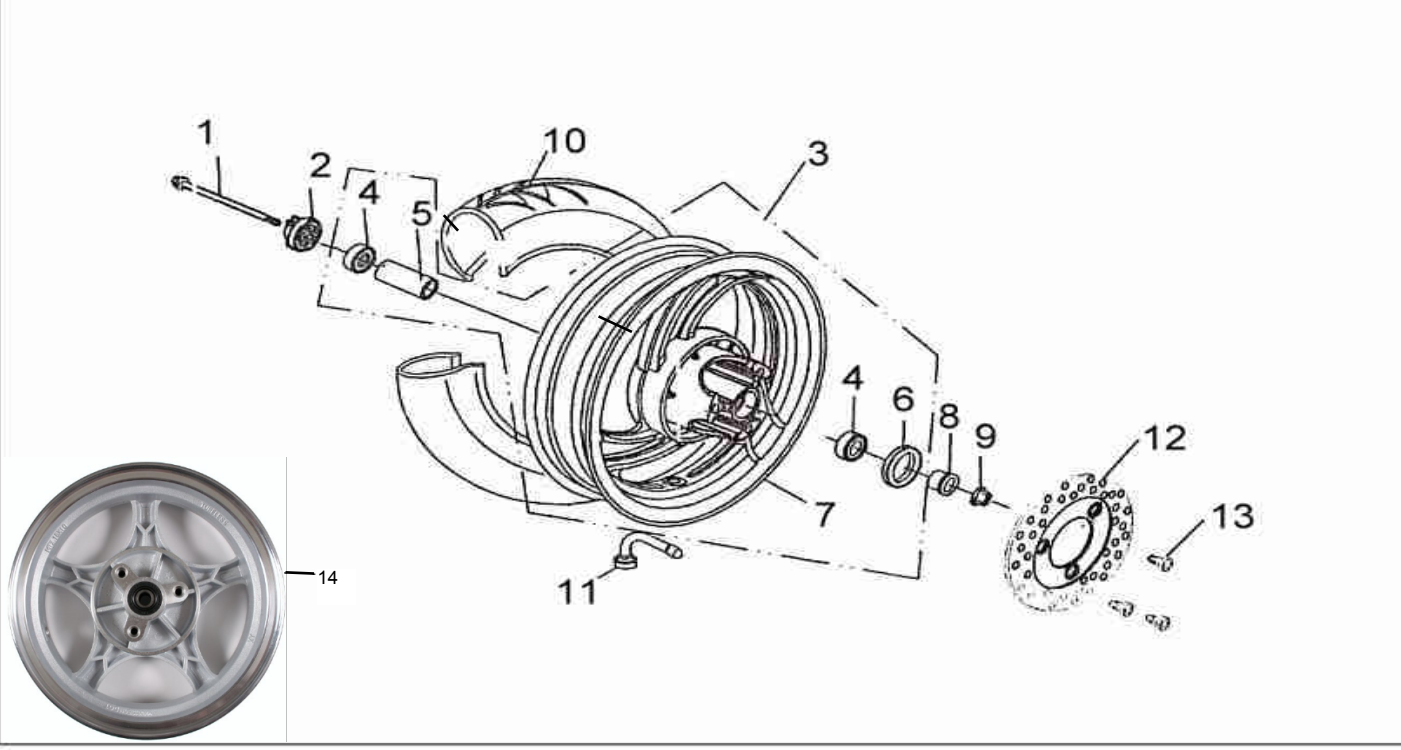


| POS | QTY | PARTNUMBER | BESKRIVELSE | DESCRIPTION |
|-----|-----|------------|------------------------|----------------------------|
| 1 | 1 | 403922 | KRUMTAPHUS KPL VENSTRE | CRANKCASE ASSY L.- F15.1 |
| 2 | 1 | 403923 | KRUMTAPHUS VENSTRE | CRANKCASE L.- F15.2 |
| 3 | 1 | 403924 | OPHÆNG | BUSH - F15.3 |
| 4 | 2 | 403925 | LEJE | BEARING - F15.4 |
| 5 | 1 | 403926 | LEJE | BEARING - F15.5 |
| 6 | 1 | 403927 | RING | SEAL - F15.6 |
| 7 | 1 | 403928 | PAKDÅSE | OIL SEAL - F15.7 |
| 8 | 1 | 403929 | KRUMTAPHUS HØJRE KPL | CRANKCASE ASSY R - F15.8 |
| 9 | 2 | 403930 | PAL | PIN, DOWEL - F15.9 |
| 10 | 1 | 403931 | KRUMTAPHUS HØJRE | CRANKCASE R.- F15.10 |
| 11 | 1 | 403932 | BOLT M6X45 | BOLT M6X45 - F15.11 |
| 12 | 1 | 403933 | PAKNING | GASKET, CRANKCASE - F15.12 |
| 13 | 2 | 403934 | BØS | BUSH - F15.13 |
| 14 | 2 | 403935 | BØS | BUSH - F15.14 |
| 15 | 2 | 403936 | AKSEL | FIXNG SHAFT - F15.15 |
| 16 | 2 | 403937 | BOLT | STUD - F15.16 |
| 17 | 2 | 403938 | BOLT | STUD - F15.17 |
| 18 | 1 | 403939 | SKIVE Ø12 | WASHER, PLUG Ø 12 - F15.18 |
| 19 | 1 | 403940 | BOLT | DRAM PLUG - F15.19 |
| 20 | 1 | 403941 | BØS | BUSH - F15.20 |
| 21 | 1 | 403942 | BOLT M8X12 | BOLT M8X12 - F15.21 |
| 22 | 1 | 403943 | SKIVE Ø8 | WASHER Ø8 - F15.22 |
| 23 | 2 | 403944 | BOLT M8X35 | BOLT M8X35 - F15.23 |
| 24 | 5 | 403945 | BOLT M8X40 | BOLT M8X40 - F15.24 |

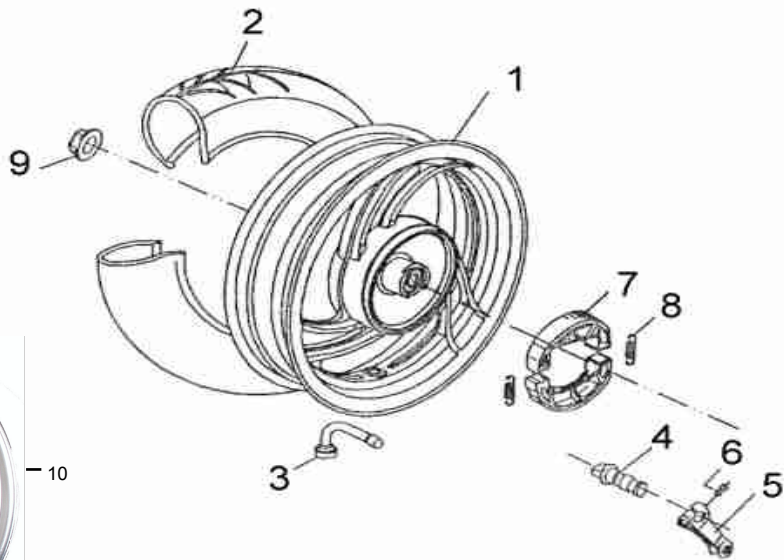


| POS | QTY | PARTNUMBER | BESKRIVELSE | DESCRIPTION |
|-----|-----|------------|---------------------|----------------------------------|
| 1 | 1 | 403946A | KARBURATOR 30KM | CARBURETOR 30KM - F16.1 |
| 2 | 2 | 403947 | SKRUE | SCREW SPRING PLATE - F16.2 |
| 3 | 1 | 403948 | PLADE | SPRING PLATE - F16.3 |
| 4 | 1 | 403949 | FJEDER | PLATE SPRING - F16.4 |
| 5 | 1 | 403950 | FJEDERSÆDE | SPRING SOCKET - F16.5 |
| 6 | 1 | 403952 | NÅL 30 KM | JET CARBURETOR FLASH 30-4- F16.6 |
| 7 | 1 | 403953 | STEMPEL MED MEMBRAM | PISTON VACUUM ASSY 45KM- F16.7 |
| 7 | 1 | 403953A | STEMPEL MED MEMBRAM | PISTON VACUUM ASSY 30KM- F16.7 |
| 8 | 1 | 403954 | CHOKERARM | CONTORL LEVER - F16.8 |
| 9 | 1 | 403955 | BOLT M5X8 | BOLT M5X8 - F16.9 |
| 10 | 1 | 403956 | BOLT M5X14 | BOLT M5X14 - F16.10 |
| 11 | 1 | 403957 | BOLT M4X14 | BOLT M4X14 - F16.11 |
| 12 | 1 | 403958 | SKIVE | WASHER 4 - F16.12 |
| 13 | 1 | 403959 | FJEDER | SPRING - F16.13 |
| 14 | 4 | 403960 | BOLT M4X8 | BOLT M4X8 - F16.14 |
| 15 | 1 | 403961 | VENTIL LÅG | VALVE COVER - F16.15 |
| 16 | 2 | 403962 | VENTIL FJEDER | VALVESPRING - F16.16 |
| 17 | 1 | 403963 | VENTIL | VALVE - F16.17 |
| 18 | 2 | 403964 | RING | SEALING RING - F16.18 |
| 19 | 1 | 403965 | KLEMME | CLIP, TUBE - F16.19 |
| 20 | 1 | 403966 | LUFT RØR | BREATHER TUBE - F16.20 |
| 21 | 1 | 403967 | LÅG | CAP, STATER VALVE - F16.21 |
| 22 | 1 | 403968 | CHOKER | CHOKER - F16.22 |
| 23 | 1 | 403969 | HOLDER | STARTER SOCKET - F16.23 |
| 24 | 1 | 403970 | KARBURATOR HUS | CARBURETOR BODY - F16.24 |
| 25 | 1 | 403971 | PAKNING | SEAL , FLOAT CHAMBER - F16.25 |
| 26 | 1 | 403972 | SVØMMER | FLOAT - F16.26 |
| 27 | 1 | 403973 | SVØMMER NÅL | FLOAT VALVE ASSY - F16.27 |
| 28 | 1 | 403974 | BØS | PIN, FLOAT VALVE - F16.28 |
| 29 | 1 | 403975 | BUND FOR KARBURATOR | CARBURETOR COVER - F16.29 |
| 30 | 1 | 403976 | BUNDSKRUE | TAPPING BOLT - F16.30 |
| 31 | 1 | 403977 | LÅG | DUST SEAL CAP - F16.31 |
| 32 | 1 | 403978 | OVERLØBS RØR | OVER FLOW TUBE - F16.32 |
| 33 | 1 | 403979 | BOLT M4X12 | BOLT M4X12 - F16.33 |
| 34 | 1 | 403980 | PAKNING | SEALING RING - F16.34 |
| 35 | 1 | 403981 | PUMPE NÅL | PLUG PUMP ASSY - F16.35 |
| 36 | 1 | 403982 | PUMPE | PUMP LOWER COVER - F16.36 |
| 37 | 1 | 403983 | BOLT M4X10 | BOLT M4X10 - F16.37 |
| 38 | 1 | 405023 | TOMGANGSDYSE 66 MM | MAIN NOZZLE 66 MM |
| 38 | 1 | 405023A | TOMGANGSDYSE 70 MM | MAIN NOZZLE 70 MM |
| 38 | 1 | 405023B | TOMGANGSDYSE 74 MM | MAIN NOZZLE 74 MM |
| 38 | 1 | 405023C | TOMGANGSDYSE 68 MM | MAIN NOZZLE 68 MM |
| 38 | 1 | 405023D | TOMGANGSDYSE 72 MM | MAIN NOZZLE 72 MM |
| 38 | 1 | 405023E | TOMGANGSDYSE 76 MM | MAIN NOZZLE 76 MM |
| 38 | 1 | 405023F | TOMGANGSDYSE 78 MM | MAIN NOZZLE 78 MM |

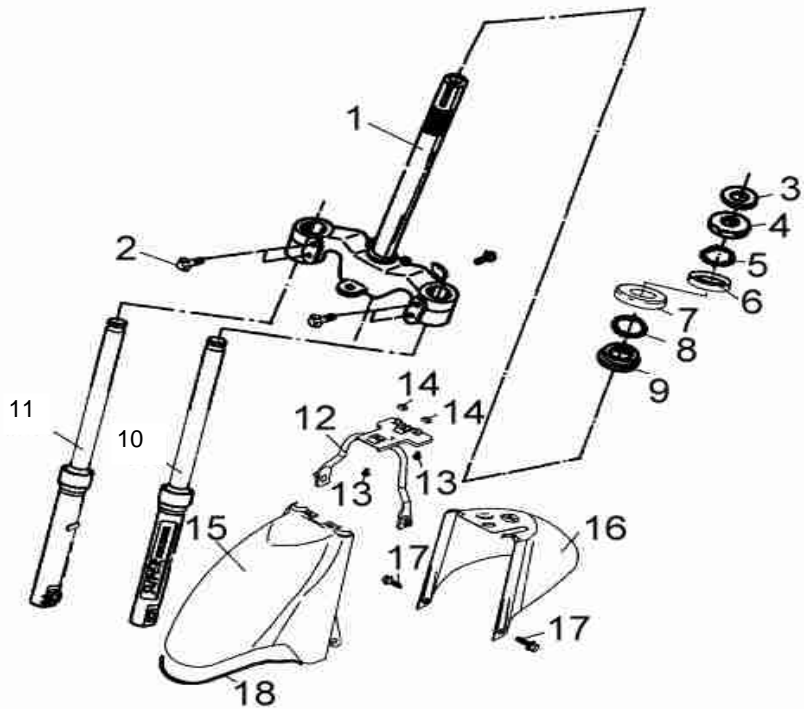
| POS | QTY | PARTNUMBER | BESKRIVELSE | DESCRIPTION |
|-----|-----|------------|-------------|-------------|
| 39 | 1 | 405024 | DYSERØR | NOZZLE TUBE |
| 40 | 1 | 405025 | HOVEDDYSE | MAIN NOZZLE |



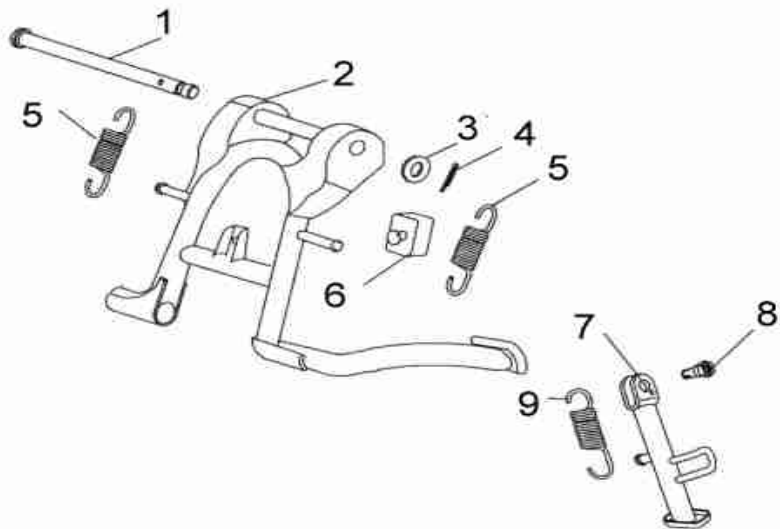
| POS | QTY | PARTNUMBER | BESKRIVELSE | DESCRIPTION |
|-----|-----|------------|------------------------------|-------------------------------|
| 1 | 1 | 403984 | AKSEL FOR HJUL | AXLE FR.WHEEL - F18.1 |
| 2 | 1 | 403985 | KM TÆLLER DREV | SPEED COUNTER - F18.2 |
| 4 | 2 | 403986 | LEJE 6201 | BEARING 6201 - F18.4 |
| 5 | 1 | 403987 | BØS | CENTRAL SET - F18.5 |
| 6 | 1 | 403988 | STØVHÆTTE | SEAL DUST - F18.6 |
| 7 | 1 | 403989 | FÆLG | FRONT WHEEL - F18.7 |
| 8 | 1 | 403990 | BØS | BUSH - F18.8 |
| 9 | 1 | 403991 | MØTRIK M12X1.25 | NUT M12X1.25 - F18.9 |
| 10 | 1 | 403992 | DÆK 3.0-10 | TYRE 3.0-10 - F18.10 |
| 10 | | 403016 | DÆK 100/90-10 BRIDGESTONE | TIRE 100/90-10 BRIDGESTONE |
| 11 | 1 | 403993 | VENTIL | VALVE - F18.11 |
| 12 | 1 | 403994 | SKIVE, BREMSE | DISK BRAKE - F18.12 |
| 13 | 3 | 403995 | BOLT | DISK BRAKE BOLT - F18.13 |
| 14 | 1 | 403989A | FÆLG | FRONT WHEEL - F18.14 |



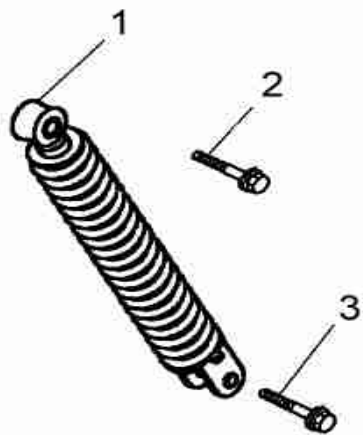
| POS | QTY | PARTNUMBER | BESKRIVELSE | DESCRIPTION |
|-----|-----|------------|---------------------|--------------------------|
| 1 | 1 | 403996 | FÆLG BAGHJUL | REAR WHEEL - F19.1 |
| 2 | 1 | 403997 | DÆK | TYRE - F19.2 |
| 3 | 1 | 403998 | VENTIL | VALVE - F19.3 |
| 4 | 1 | 403999 | AKSEL FOR BREMSE | REAR BRAKE CAM - F19.4 |
| 5 | 1 | 404000 | ARM BAGBREMSE | REAR BRAKE LEVER - F19.5 |
| 6 | 1 | 404001 | BOLT M6X35 | BOLT M6X35 - F19.6 |
| 7 | 2 | 404002 | BREMSEBAKKE KOMPLET | BRAKE SHOE ASSY - F19.7 |
| 8 | 2 | 404003 | FJEDER | SPRING - F19.8 |
| 9 | 1 | 404004 | LÅSEMØTRIK M16X1.5 | LOCKNUT M16X1.5 - F19.9 |
| 10 | 1 | 403996A | FÆLG BAGHJUL | REAR WHEEL - F19.10 |



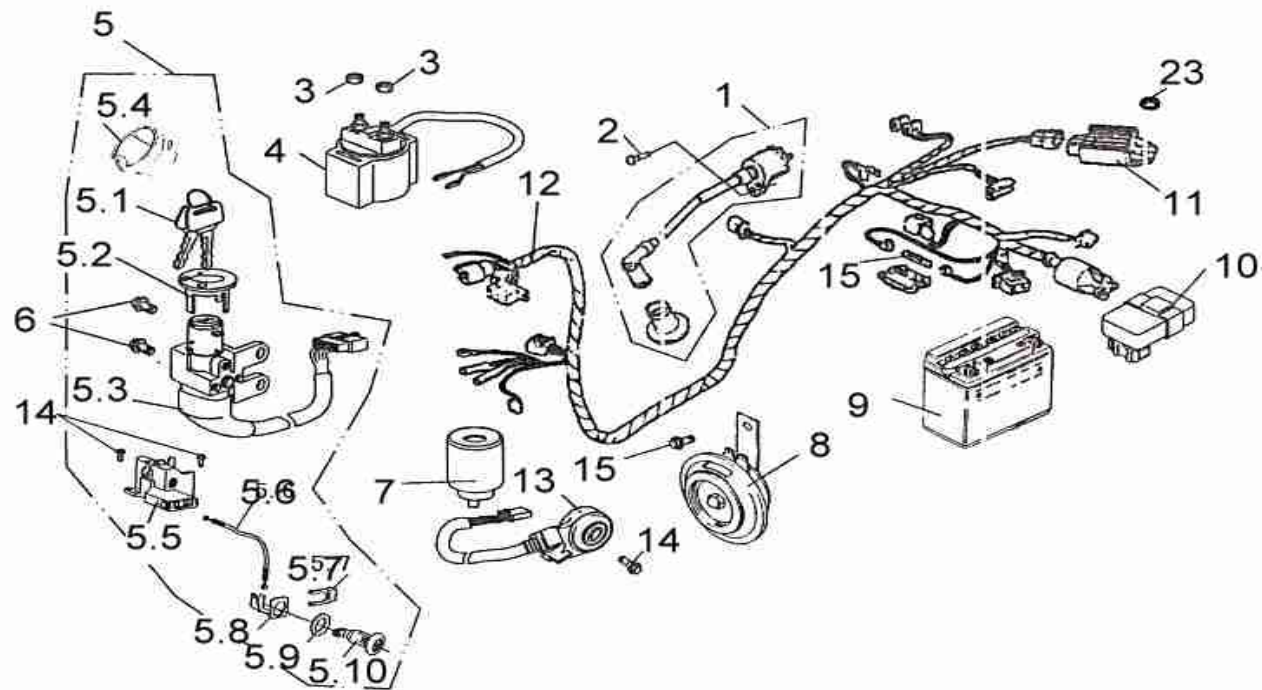
| POS | QTY | PARTNUMBER | BESKRIVELSE | DESCRIPTION |
|-----|-----|------------|---------------------------|---|
| 1 | 1 | 404005 | KRONRØR | STEERING COLUMN - F20.1 |
| 2 | 4 | 404006 | BOLT | BOLT FLANGE - F20.2 |
| 3 | 1 | 404007 | LÅSEMØTRIK | ASSMBLING NUT - F20.3 |
| 4 | 1 | 404008 | MØTRIK | RACE TOP CONE NUT - F20.4 |
| 5 | 1 | 404009 | LEJESKÅL ØVERST | BALL STEEL ASSY - F20.5 |
| 6 | 1 | 404010 | LEJERING | RACE UPPER BALL - F20.6 |
| 7 | 1 | 404011 | LEJESKÅL MELLEASTE | RACE UNDER BALL - F20.7 |
| 8 | 1 | 404012 | LEJESKÅL NEDERSTE | BALL STEEL ASSY - F20.8 |
| 9 | 1 | 404013 | LEJERING | RACE CONE - F20.9 |
| 10 | 1 | 404014 | STØDDÆMPER VENSTRE MAT | FR.SHOCK ASSY FLAT SILVER (L) F20.10 |
| 11 | 1 | 404015 | STØDDÆMPER HØJRE MAT | FR.SHOCK ASSY FLAT SILVER (R) F20.11 |
| 12 | 1 | 404016 | BESLAG FOR SKÆRM | FENDER - F20.12 |
| 13 | 2 | 404017 | BOLT M6X12 | BOLT M6X12 - F20.13 |
| 14 | 2 | 404018 | GUMMIPAKNING | RUBBER - F20.14 |
| 15 | 1 | 409024 | SKÆRM FOR SORT | FRONT FENDER BLACK NO LOGO |
| 16 | 1 | 404022 | SKÆRM BAG SORT | REAR, FRONT FENDER BLACK - F20.16 |
| 17 | 2 | 404023 | BOLT M6X12 | BOLT M6X12 - F20.17 |
| 18 | 2 | 404024 | GUMMI PAKNING | RUBBER FRONT FENDER - F20.18 |



| POS | QTY | PARTNUMBER | BESKRIVELSE | DESCRIPTION |
|-----|-----|------------|----------------|--------------------------------------|
| 1 | 1 | 404025 | AKSEL | MAIN STAND ASSEMBLING COLUMN - F21.1 |
| 2 | 1 | 404026 | STØTTEBEN | MAIN STAND WELDING ASSY - F21.2 |
| 3 | 1 | 404027 | SKIVE | WASHER 8 - F21.3 |
| 4 | 1 | 404028 | PIN 1.5X24 | COTTER PIN 1.5X24 - F21.4 |
| 5 | 2 | 404029 | FJEDER | SPRING - F21.5 |
| 6 | 1 | 404030 | GUMMI STOPPER | LIMIT SPACE RUBBER (STOPPER) -F21.6 |
| 7 | 1 | 404031 | SIDE STØTTEBEN | SIDE STAND WELDING ASSY - F21.7 |
| 8 | 1 | 404032 | BOLT | BOLT - F21.8 |
| 9 | 1 | 404033 | FJEDER | TENSION SPRING SET - F21.9 |

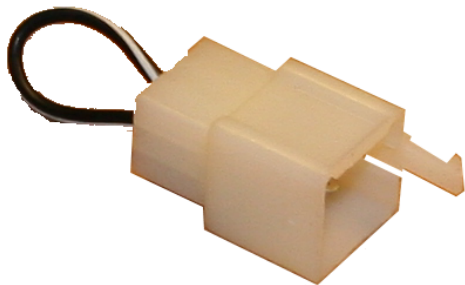
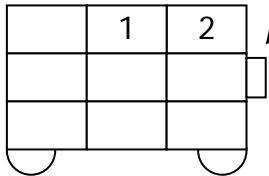


| POS | QTY | PARTNUMBER | BESKRIVELSE | DESCRIPTION |
|-----|-----|------------|----------------|-------------------------------------|
| 1 | 1 | 404034 | STØDDÆMPER BAG | REAR SHOCK ABSORBER ASSY - F22.1 |
| 2 | 1 | 404035 | BOLT M10X70 | BOLT M10X70 - F22.2 |
| 3 | 1 | 404036 | BOLT M8X35 | BOLT M8X35 - F22.3 |



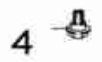
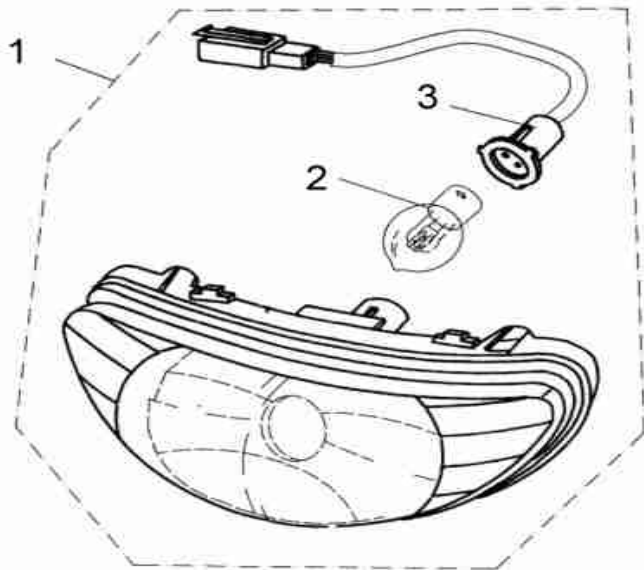
| POS | QTY | PARTNUMBER | BESKRIVELSE | DESCRIPTION |
|-----|-----|------------|-------------------------------|-----------------------------|
| 1 | 1 | 404037 | TÆNDSPOLE KOMPLET | IGNITION COIL ASSY - F23.1 |
| 2 | 1 | 404038 | BOLT M6X20 | BOLT M6X20 - F23.2 |
| 3 | 3 | 404039 | MØTRIK M6 | NUT M6 - F23.3 |
| 4 | 1 | 404040 | STARTRELÆ | START RELAY - F23.4 |
| 5 | 1 | 404041 | TÆNDINGSLÅS SÆT | SWITCH ASSY - F23.5 |
| 6 | 2 | 404042 | BOLT M6X12 | BOLT M6X12 - F23.6 |
| 7 | 1 | 404043 | RELÆ BLINK | BUZZER FLASH RELAY - F23.7 |
| 8 | 1 | 404044 | HORN | HORN - F23.8 |
| 9 | 1 | 404045 | BATTERI 12V 5AH | BATTERY 12V/5AMP |
| 10 | 1 | 404047 | C.D.I. 30KM/T | C.D.I. 30KM/T- F23.10 |
| 11 | 1 | 404048 | REGULATOR | RECTIFIER ADJUSTER - F23.11 |
| 12 | 1 | 404049 | LEDNINGSNET | WIRING ASSY - F23.12 |
| 12 | 1 | 404049a | LEDNINGSNET. TIL ALARM SYSTEM | WIRING ASSY ALARM - F23.12 |
| 13 | 1 | 404050 | KONTAKT VED STØTTEBEN | SWITCH ASSY - F23.13 |
| 14 | 3 | 404051 | BOLT M6X16 | BOLT M6X16 - F23.14 |
| 15 | 1 | 404052 | GLASSIKRING 30AH | FUSE - F23.15 |
| 16 | 1 | 407989 | STIK MED STIKBEN | |

Lås / Lock

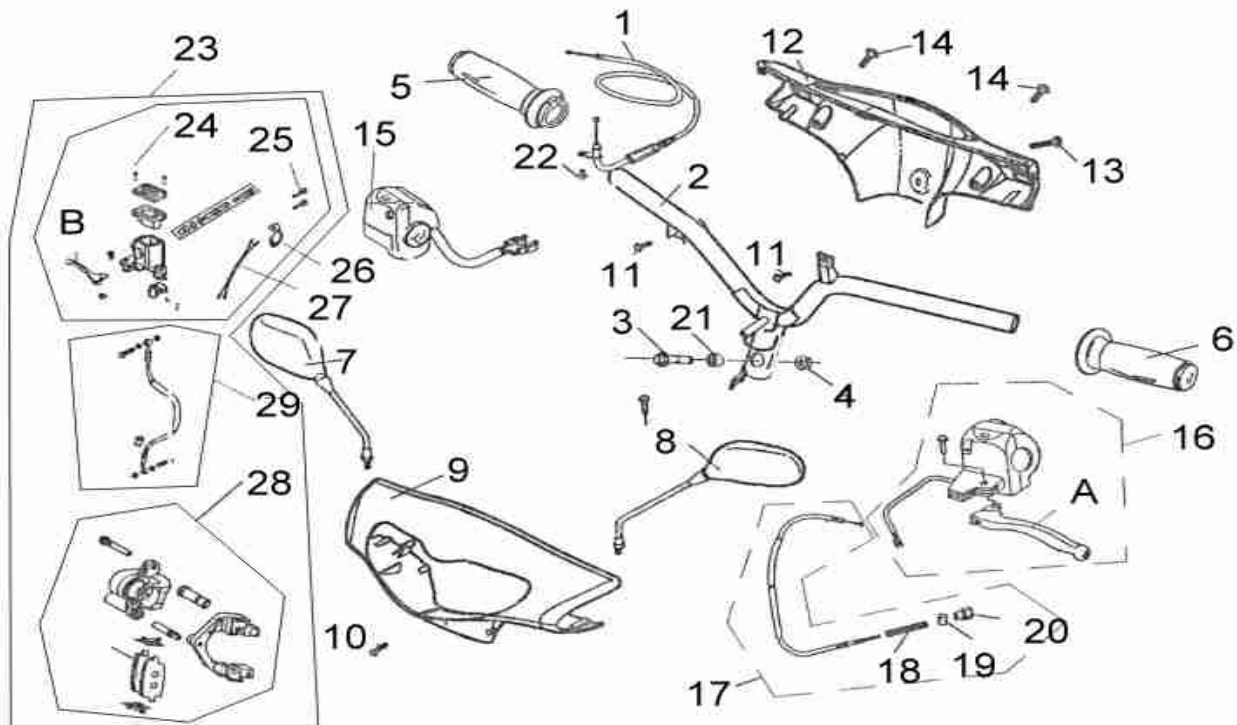


407989

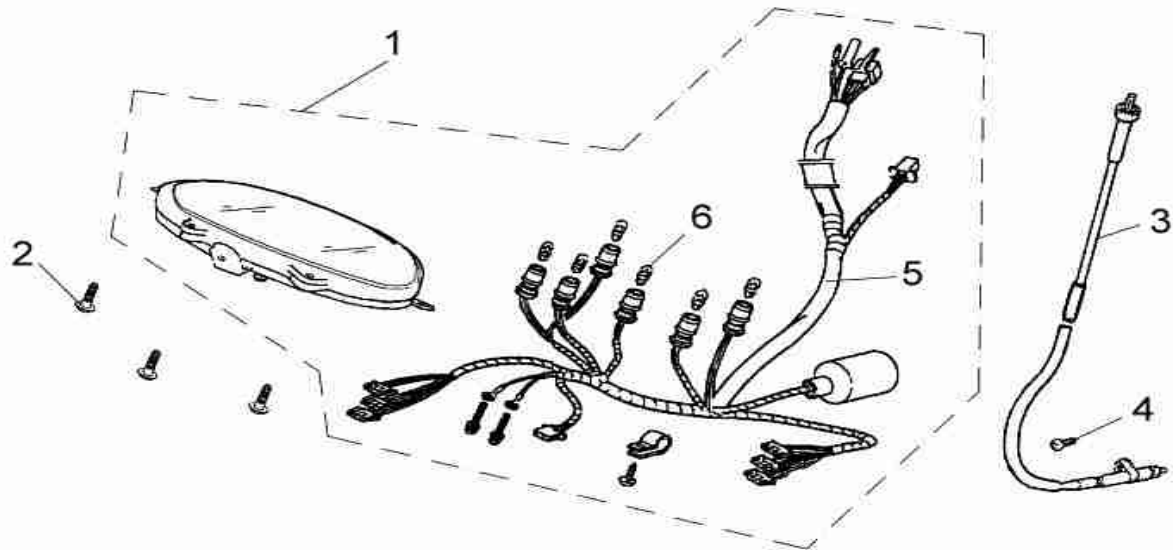




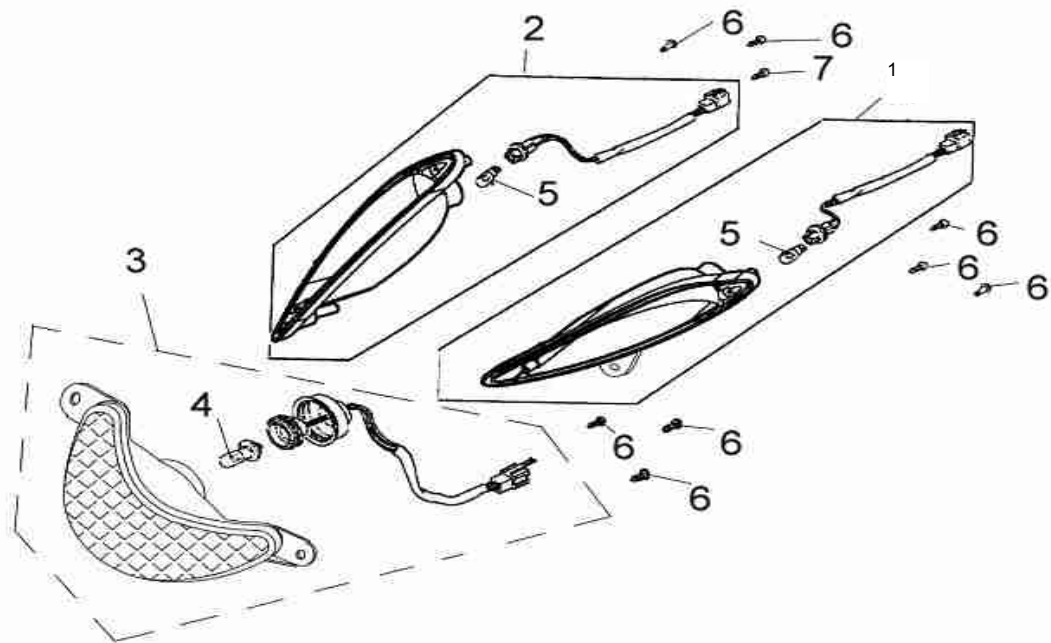
| POS | QTY | PARTNUMBER | BESKRIVELSE | DESCRIPTION |
|-----|-----|------------|------------------|-------------------------|
| 1 | 1 | 404053 | FORLYGTE KOMPLET | HEAD LIGHT ASSY - F24.1 |
| 2 | 1 | 401305 | PÆRE 12V 35/35W | BULB 12V 35/35W |
| 3 | 1 | 404054 | FATNING | SCOCKET - F24.3 |
| 4 | 1 | 404055 | BOLT M6X25 | BOLT M6X25 - F24.4 |



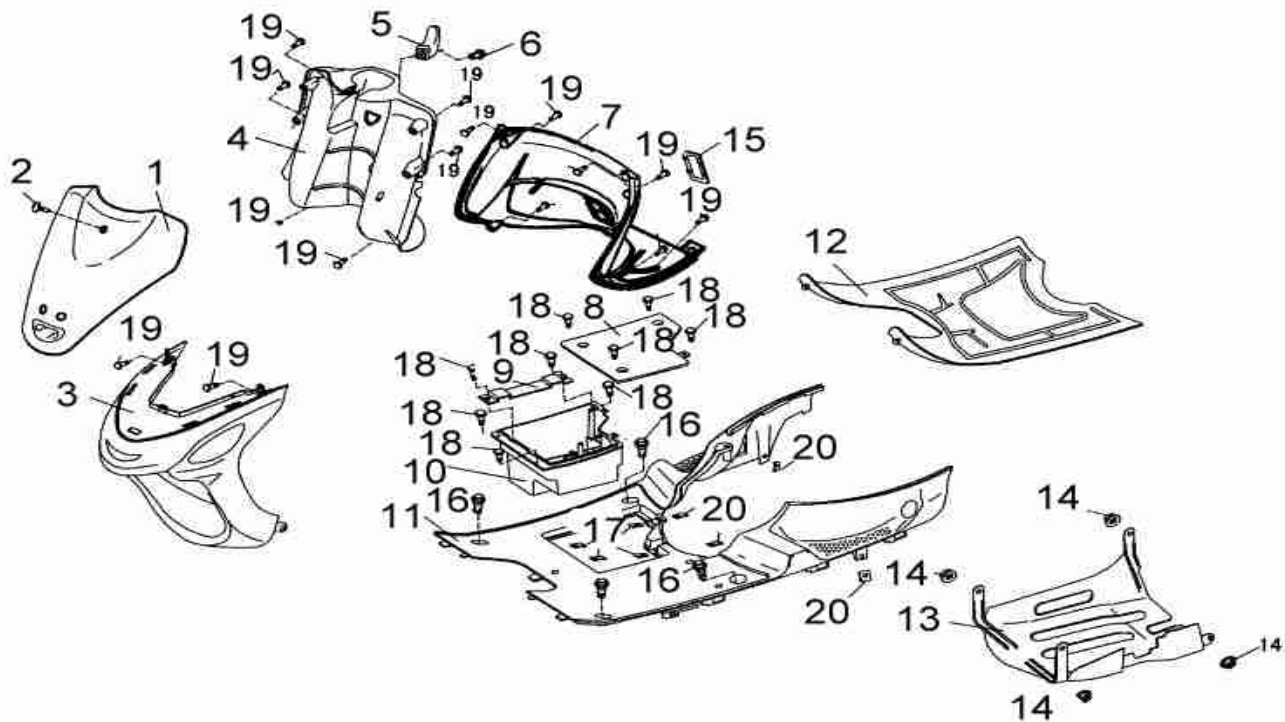
| POS | QTY | PARTNUMBER | BESKRIVELSE | DESCRIPTION |
|-----|-----|------------|-------------------------------|--------------------------------|
| 1 | 1 | 404056 | GASKABEL KOMPLET | THROTTLE CABLE ASSY - F26.1 |
| 2 | 1 | 404057 | STYR | STEER - F26.2 |
| 3 | 1 | 90102944 | STÅLBOLT MED SKAFT 10X50 | BOLT M10X50 |
| 4 | 1 | 90100693 | LÅSEMØTRIK M10 | LOCKNUT M10 |
| 5 | 1 | 404060 | HÅNDTAG HØJRE | GRIP THROTTLE - F26.5 |
| 6 | 1 | 404061 | HÅNDTAG VENSTRE | LEFT GRIP - F26.6 |
| 7 | 1 | 404062 | SIDESPEJL HØJRE | MIRROR RIGHT - F26.7 |
| 8 | 1 | 404063 | SIDESPEJL VENSTRE | MIRROR LEFT - F26.8 |
| 9 | 1 | 404064 | PANEL FORLYGTE SORT | FRONT HEAD COVER BLACK |
| 10 | 1 | 404067 | BOLT M5X25 | BOLT M5X25 - F26.10 |
| 11 | 2 | 404068 | SKRUE ST4.8X16 | SCREWST4.8X16 - F26.11 |
| 12 | 1 | 404069 | PANEL VED STYR, BAGERST | REAR PART, HEAD COVER - F26.12 |
| 13 | 1 | 404070 | BOLT | BOLT - F26.13 |
| 14 | 2 | 404071 | SKRUE ST4.2X12 | SCREWST4.2X12 - F26.14 |
| 15 | 1 | 404072 | KONTAKTKONSOL HØJRE | SWITCH ASSY RIGHT - F26.15 |
| 16 | 1 | 404073 | KONTAKTKONSOL VENSTRE | SWITCH ASSY LEFT - F26.16 |
| 17 | 1 | 404074 | BREMSEKABEL BAG KOMPLET | BRAKECABLE REAR ASSY - F26.17 |
| 21 | 1 | 404075 | STYRESKIVE | GUIDE WASHER - F26.21 |
| 22 | 1 | 404076 | BOLT M5X10 | BOLT M5X10 - F26.22 |
| 24 | 1 | 404077 | BREMSE CYLINDER | MASTER CYLINDER ASSY - F26.24 |
| 25 | 2 | 404078 | BOLT M6X22 | BOLT M6X22 - F26.25 |
| 26 | 1 | 404079 | BESLAG | BRACKET - F26.26 |
| 27 | 1 | 404080 | LEDNING | STOP HARNESS - F26.27 |
| 28 | 1 | 404081 | BREMSEKALIBER | BRAKECALIBER ASSY - F26.28 |
| 29 | 1 | 404082 | BREMSE SLANGE | BRAKE HOSE ASSY - F26.29 |
| A | 1 | 404083 | HÅNDTAG, BREMSE HØJRE SORT | R.BRAKE HANDLE BLACK - F26.A |
| A | 1 | 404083A | HÅNDTAG, BREMSE HØJRE BLANKT | R.BRAKE HANDLE SILVER - F26.A |
| B | 1 | 404084 | HÅNDTAG, BREMSE VENSTRE SORT | L.BRAKE HANDLE - F26.B |
| B | 1 | 404084A | HÅNDTAG, BREMSE VENSTRE BLANK | L. BRAKE HANDLE SILVER F26.B |
| C | 1 | 404085 | BREMSEKLODS SÆT | BRAKE SHOE ASSY - F26.C |



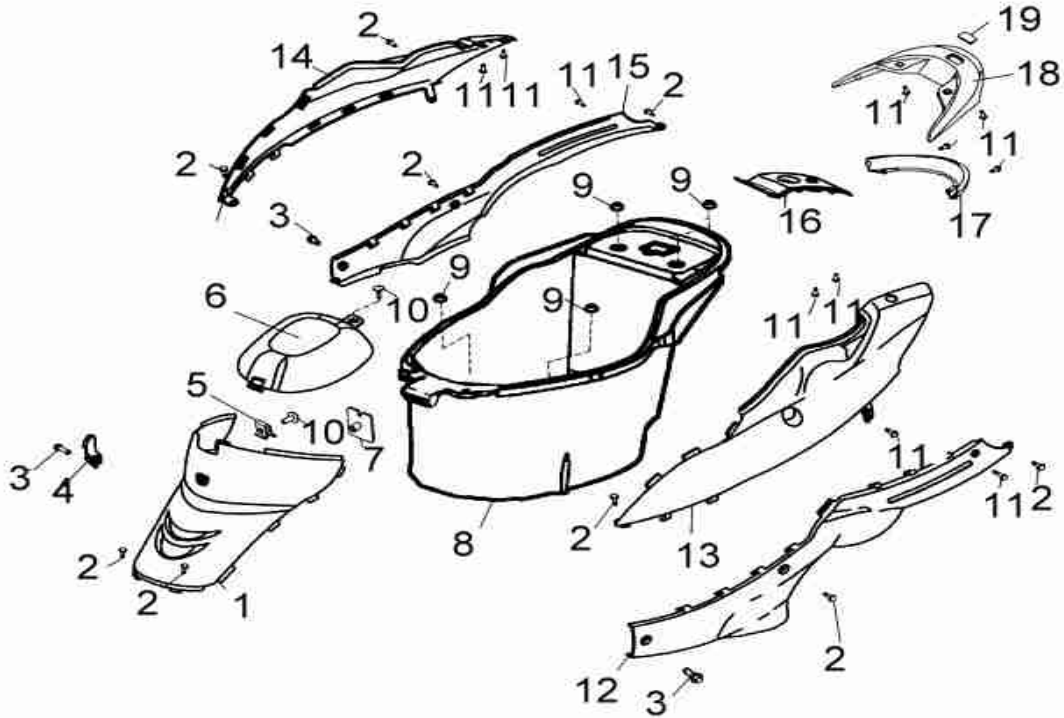
| POS | QTY | PARTNUMBER | BESKRIVELSE | DESCRIPTION |
|-----|-----|------------|-------------------|----------------------------|
| 1 | 1 | 404086 | INSTRUMENTPANEL | METER ASSY FREE 50-4-F27.1 |
| 2 | 3 | 404087 | SKRUE ST4.8X16 | SCREW ST4.8X16 - F27.2 |
| 3 | 1 | 404088 | SPEEDOMETER KABEL | SDPEEDOMETER CABLE - F27.3 |
| 4 | 1 | 404089 | BOLT M5X16 | BOLT M5X16 - F27.4 |
| 5 | 1 | 404090 | LEDNINGSNET | WIREHARNESS - F27.5 |
| 6 | 6 | 401301 | PÆRE 12V 4W | |



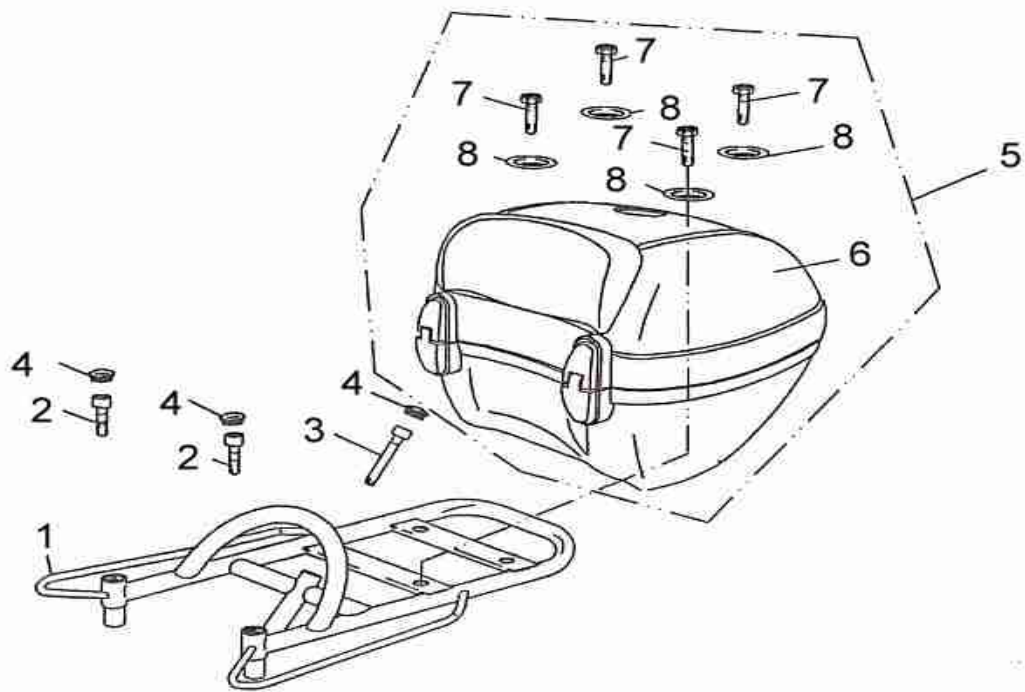
| POS | QTY | PARTNUMBER | BESKRIVELSE | DESCRIPTION |
|-----|-----|------------|---------------------------|--------------------------------------|
| 1 | 1 | 404091 | BLINKLYS FOR VENSTRE GUL | INDICATOR FRONT RIGHT YELLOW - F28.1 |
| 1 | 1 | 404091A | BLINKLYS FOR VENSTRE HVID | INDICATOR FRONT RIGHT WHITE - F28.1 |
| 2 | 1 | 404092 | BLINKLYS FOR HØJRE GUL | INDICATOR FRONT LEFT YELLOW - F28.2 |
| 2 | 1 | 404092A | BLINKLYS FOR HØJRE HVID | INDICATOR FRONT LEFT WHITE - F28.2 |
| 3 | 1 | 404093 | POSITIONSLYGTE | HEAD LIGHT - F28.3 |
| 4 | 1 | 401306 | PÆRE 12V 5W NETTOPRIS | BULB 12V 5W NETPRICE |
| 5 | 2 | 700529 | PÆRE 12V 10W | BULB 12V 10W |
| 6 | 9 | 404094 | SKRUE ST4.2X12 | SCREW ST4.2X12 - F28.6 |



| POS | QTY | PARTNUMBER | BESKRIVELSE | DESCRIPTION |
|-----|-----|------------|---------------------------------|-----------------------------------|
| 1 | 1 | 408663 | PANEL SORT X30 S30 | PANEL |
| 2 | 1 | 290464 | FLANGEBOLT GUL M6X14 | COLLAR BOLT M6X14 |
| 3 | 1 | 408664 | PANEL SORT X30 | PANEL |
| 5 | 1 | 404103 | KROG FOR | HOOK |
| 6 | 1 | 404104 | BOLT M6X12 | BOLT M6X12 |
| 7 | 1 | 404105 | OPBEVARINGSRUM FOR | REAR COVER LOWER FRONT - F29.7 |
| 8 | 1 | 404106 | LÅG | LID |
| 9 | 1 | 404107 | BATTERI HOLDER | BATTERY |
| 10 | 1 | 404108 | BATTERI BOKS | BATTERY |
| 11 | 1 | 404109 | BUNDPLADE | BOTTOM PLATE |
| 12 | 1 | 402097 | BUNDMÅTTE | RUBBER MAT |
| 13 | 1 | 404111 | BUNDPLADE UNDER | BOTTOM PLATE |
| 14 | 4 | 404112 | MØTRIK M6 | NUT M6 |
| 15 | 1 | 404113 | PLADE FOR STELNUMMER | PLATE |
| 16 | 4 | 404114 | BOLT M6X20 | BOLT M6X20 |
| 17 | 4 | 404115 | KLIPS | CLIP (4.8) - F29.17 |
| 18 | 7 | 404116 | SKRUE ST4.8X16 | SCREW |
| 19 | 16 | 296028 | PLADESKRUE MED SPIDS M4.2X13 | PLATE SCREW M4.2X13 |
| 20 | 4 | 404118 | KLIPS | ADAPTER |
| 21 | 1 | 404836 | TRIN ALUMINIUM | FOOTSTEP ALLOY |



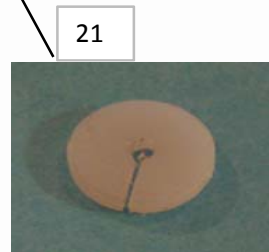
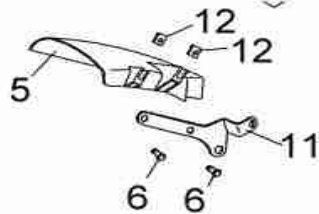
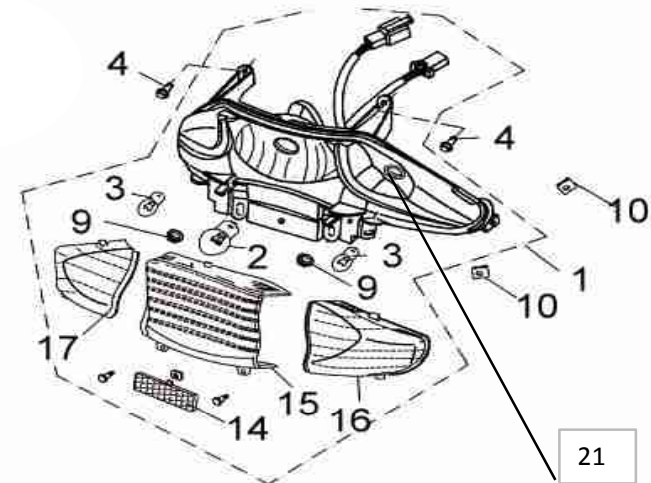
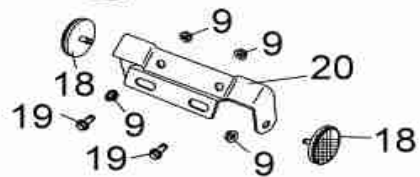
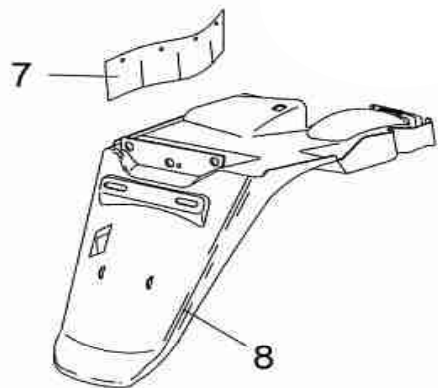
| POS | QTY | PARTNUMBER | BESKRIVELSE | DESCRIPTION |
|-----|-----|------------|----------------------------------|--|
| 1 | 1 | 404119 | PANEL UNDER SÆDE FOR | COVER UNDER SEAT FRONT - F30.1 |
| 2 | 10 | 296039 | PLADESKRUE M4,8X16 SPIDS | SCREW M4,8X16 |
| 3 | 3 | 404121 | FLANGEBOLT M6X12 | FLANGEBOLT M6X12 - F30.3 |
| 4 | 1 | 404122 | KROG BAG | HOOK REAR F30.4 |
| 5 | 1 | 404123 | SKRUE KLEMME | CLIP NUT - F30.5 |
| 6 | 1 | 404124 | DÆKSEL FOR MOTOR | COVER FOR ENGINE - F30.6 |
| 7 | 1 | 404125 | BESLAG | BRACKET FOR HOOK - F30.7 |
| 8 | 1 | 404126 | SÆDEBRØND | SEAT INNER - F30.8 |
| 9 | 4 | 404127 | MØTRIK M6 | NUT M6 - F30.9 |
| 10 | 2 | 404128 | BOLT | BOLT - F30.10 |
| 11 | 10 | 296028 | PLADESKRUE M4,2X13 SPIDS | SCREW M4,2X13 |
| 12 | 1 | 408666 | PANEL V.N. X30 SORT | COVER LOWER BLACK (L) |
| 13 | 1 | 408668 | PANEL V.Ø. X30 SORT | COVER UPPER X30 (L) |
| 14 | 1 | 408670 | PANEL H.Ø. X30 SORT | COVER UPPER X30 (R) |
| 15 | 1 | 408672 | PANEL H.N. X30 SORT | COVER LOWER BLACK (R) |
| 16 | 1 | 404144 | PANEL VED TANK SORT | COVER FUELTANK BLACK FREE 50-4 - F30.16 |
| 17 | 1 | 404147 | PANEL BAGLYGTE SORT | COVER TAILLAMP BLACK FREE 50-4- F30.17 |
| 17 | 1 | 404149 | PANEL BAGLYGTE SØLV | COVER TAILLAMP SILVER FREE 50-4 F30.17 |
| 18 | 1 | 404150 | PANEL BAGAGEBÆRER SORT FREE 50-4 | COVER TAIL SUPPORT BLACK FREE50-4 F30.18 |
| 19 | 1 | 404153 | INDSTIK SORT | INSERT COVER BLACK FREE 50-4 - F30.19B |



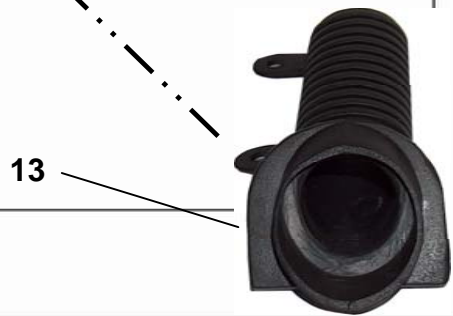
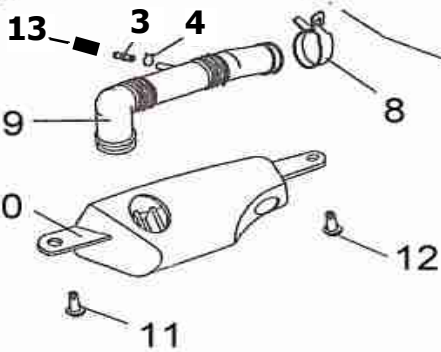
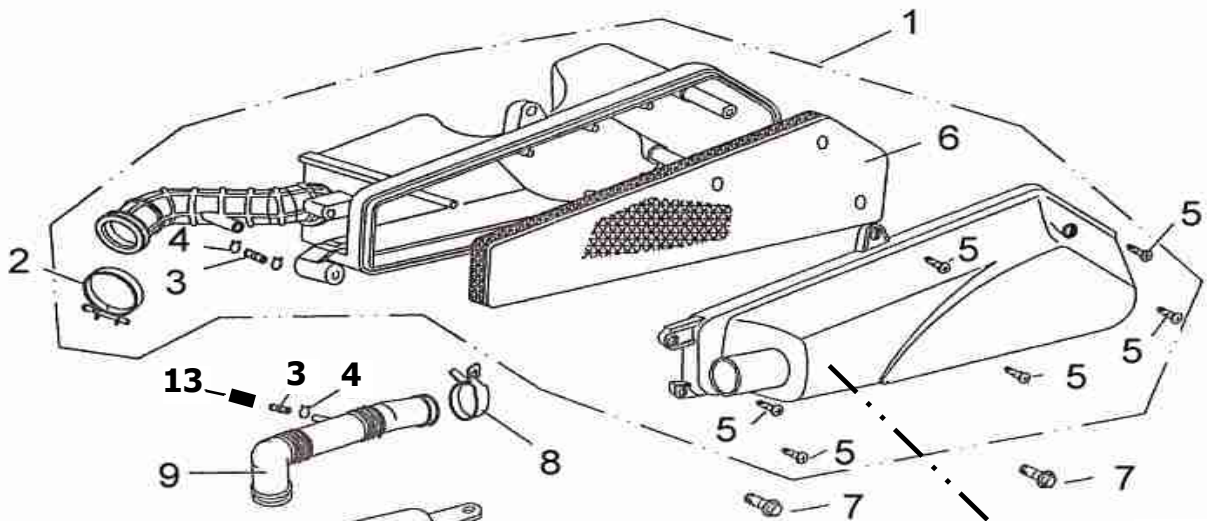
| POS | QTY | PARTNUMBER | BESKRIVELSE | DESCRIPTION |
|-----|-----|------------|--------------------------|------------------------------------|
| 1 | 1 | 404156 | STØTTE BAG | CARRIER ASSY - F31.1 |
| 2 | 2 | 404157 | BOLT M8X45 | BOLT M8X45 - F31.2 |
| 3 | 1 | 404158 | BOLT M8X85 | BOLT M8X85 - F31.3 |
| 4 | 3 | 404159 | GUMMIPAKNING | GASKET - F31.4 |
| 6 | 1 | 403779 | BAGAGEBOKS SORT FREE50-4 | LUGGAGEBOKS BLACK FREE50-4 - F31.6 |
| 6 | 1 | 403780 | BAGAGEBOKS RØD FREE50-4 | LUGGAGEBOKS RED FREE50-4 - F31.6 |
| 6 | 1 | 403781 | BAGAGEBOKS BLÅ FLASH30-4 | LUGGAGEBOX BLUE FLASH30-4-F31.6 |
| 7 | 3 | 404160 | BOLT M8X40 | BOLT M8X40 - F31.7 |
| 8 | 3 | 404161 | SKIVE | WASHER - F31.8 |

A**B****C****F****D****E****G**

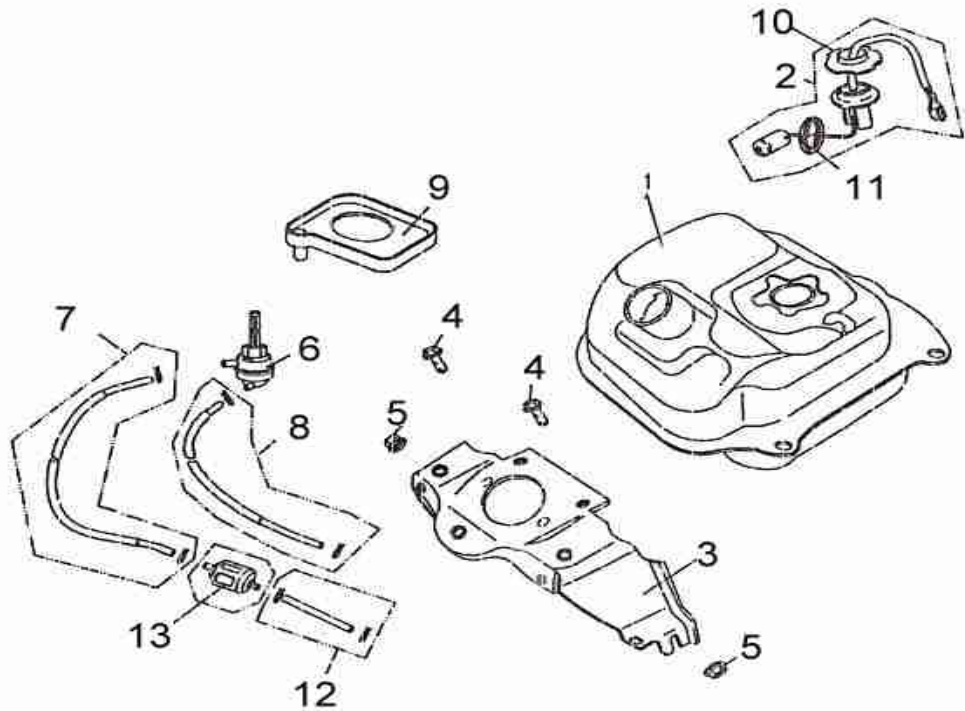
| Pos | Antal | Varenummer | Beskrivelse | Description |
|-----|-------|------------|-------------------------|-----------------------|
| A | 1 | 409059 | Lås med nøgle | Lock with key |
| B | 1 | 409060 | Lygteglas | Lens |
| C | 1 | 409061 | Måtte | Mat |
| D | 1 | 409062 | Ryglæn | Support |
| E | 1 | 409063 | Plade | Plate |
| F | 1 | 409064 | Dæksel | Cover |
| G | 1 | 409065 | Monteringssæt | Mounting assy |
| | 1 | 404833 | Bagagaboks komplet Blå | Luggagebox assy Blue |
| | 1 | 404831 | Bagagaboks komplet Rød | Luggagebox assy Red |
| | 1 | 404832 | Bagagaboks komplet Sort | Luggagebox assy Black |



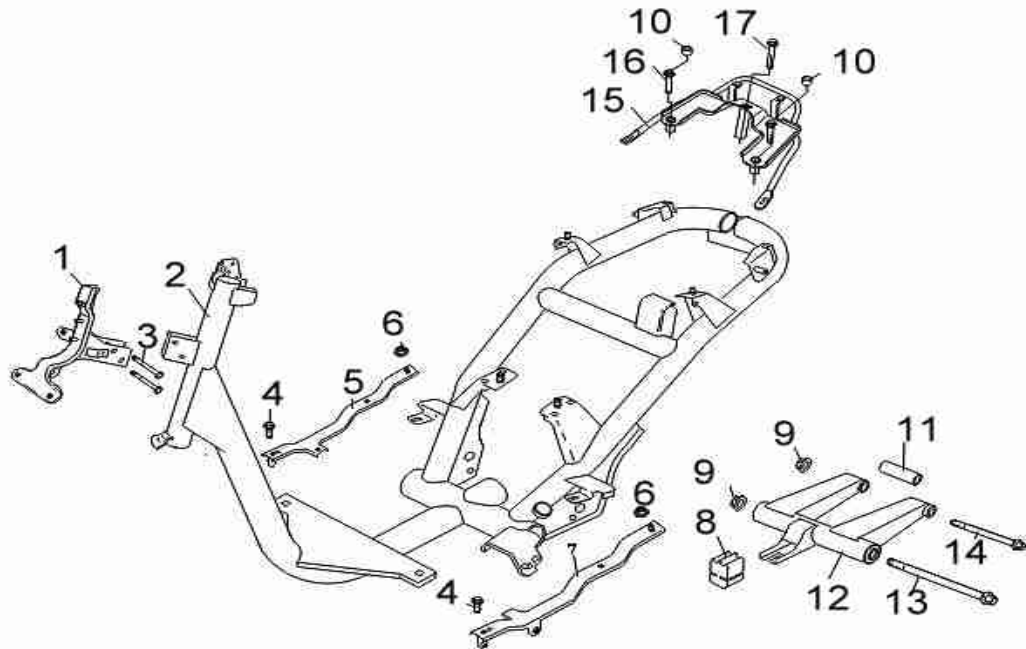
| POS | QTY | PARTNUMBER | BESKRIVELSE | DESCRIPTION |
|-----|-----|------------|------------------------------------|---------------------------------|
| 1 | 1 | 404162 | BAGLYGTE KPL KLAR GLAS | REAR LIGHT ASSY CLEAR - F32.1 |
| 2 | 1 | 700530 | PÆRE 12V 21/5W | BULB 12V 21/5W |
| 3 | 2 | 700529 | PÆRE 12V 10W | BULB 12V 10W |
| 4 | 2 | 404163 | BOLT M6X12 | BOLT M6X12 - F32.4 |
| 5 | 1 | 404164 | LILLE SKÆRM | SMALL FENDER - F32.5 |
| 6 | 2 | 404165 | BOLT M5X12 | BOLT M5X12 - F32.6 |
| 7 | 1 | 404166 | GUMMI | RUBBER - F32.7 |
| 8 | 1 | 404167 | BAGSKÆRM | REAR FENDER - F32.8 |
| 9 | 6 | 404168 | MØTRIK M6 | NUT M6 - F32.9 |
| 10 | 4 | 404169 | KLIPS | CLIP (4.2) - F32.10 |
| 11 | 1 | 404170 | BESLAG | FENDER FRAME - F32.11 |
| 12 | 2 | 404171 | MØTRIK | NUT CLIP - F32.12 |
| 14 | 1 | 404173 | REFLEKS | REAR REFLECT - F32.14 |
| 15 | 1 | 404174 | BAGLYGTE GLAS | COVER TAIL LAMP RED - F32.15 |
| 16 | 1 | 404175 | BLINKLYGTE GLAS, BAG, KLAR HØJRE | TURN COVER RIGHT CLEAR - F32.16 |
| 17 | 1 | 404176 | BLINKLYGTE GLAS, BAG, KLAR VENSTRE | TURN COVER LEFT CLEAR - F32.17 |
| 18 | 2 | 404177 | REFLEKS | REFLECT - F32.18 |
| 19 | 2 | 404178 | BOLT M6X16 | BOLT M6X16 - F32.19 |
| 20 | 1 | 404179 | MONTERINGSSTYKKE | ASSEMBLING FRAME - F32.20 |
| 21 | 1 | 408017 | SKIVE FOR FATNING | WASHER |



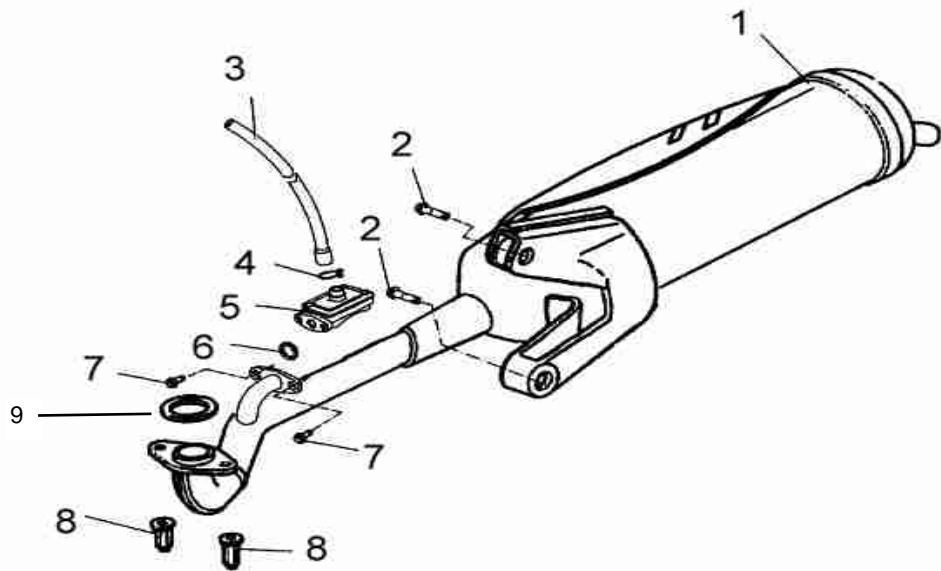
| POS | QTY | PARTNUMBER | BESKRIVELSE | DESCRIPTION |
|-----|-----|------------|--------------------|-------------------------|
| 1 | 1 | 404180 | LUFTFILTER KPL | AIR CLEAN ASSY - F33.1 |
| 2 | 1 | 404181 | SPÆNDEBÅND | CLIP, TUBE - F33.2 |
| 3 | 2 | 404182 | RØR | TUBE - F33.3 |
| 4 | 2 | 404183 | KLIPS | CLIP, TUBE (A) - F33.4 |
| 5 | 6 | 404184 | SKRUE ST4.8X19 | SCREW ST4.8X19 - F33.5 |
| 6 | 1 | 404185 | LUFTFILTER ELEMENT | AIR FILER FOAM - F33.6 |
| 7 | 2 | 404186 | BOLT M6X30 | BOLT M6X30 - F33.7 |
| 8 | 1 | 404187 | SPÆNDEBÅND | CLIP, TUBE - F33.8 |
| 9 | 1 | 404188 | RØR MED VENTIL | INLET TUBE - F33.9 |
| 10 | 1 | 404189 | LUFT RØR | AIR TUBE - F33.10 |
| 11 | 2 | 404190 | SKRUE ST4.2X12 | SCREW ST4.2X12 - F33.11 |
| 13 | 1 | 404182A | PROP/VENTIL | PLUG / VALVE |



| POS | QTY | PARTNUMBER | BESKRIVELSE | DESCRIPTION |
|-----|-----|------------|----------------|-------------------------------|
| 1 | 1 | 700312 | TANK | TANK |
| 2 | 1 | 404192 | BRÆNDSTOFMÅLER | FUEL METER - F34.2 |
| 3 | 1 | 404193 | BESLAG | TAIL TANKBRACKET ASSY - F34.3 |
| 4 | 2 | 404194 | BOLT M6X12 | BOLT M6X12 - F34.4 |
| 5 | 2 | 404195 | MØTRIK M6 | NUT M6 - F34.5 |
| 6 | 1 | 404196 | BENZINHANE | FUELVALVE - F34.6 |
| 7 | 1 | 404197 | BENZINSLANGE | FUEL TUBE A - F34.7 |
| 8 | 1 | 404198 | VAKUMSKLANGE | TUBE VACUUM - F34.8 |
| 9 | 1 | 404199 | GUMMI | RUBBER - F34.9 |
| 10 | 1 | 404200 | MØTRIK | NUT, FUELMETER - F34.10 |
| 11 | 1 | 404201 | GUMMIPAKNIING | RUBBER GASKET - F34.11 |
| 12 | 1 | 404202 | BENZINSLANGE B | FUEL TUBE B - F34.12 |
| 13 | 1 | 401123 | BENZINFILTER | FUELFILTER |



| POS | QTY | PARTNUMBER | BESKRIVELSE | DESCRIPTION |
|-----|-----|------------|-----------------------------|-----------------------------|
| 1 | 1 | 404203 | MONTERINGSBESLAG FOR | FRONT BRACKET ASSY - F35.1 |
| 2 | 1 | 404204 | CHASSIS | CHASSIS - F35.2 |
| 3 | 2 | 404205 | BOLT M6X30 | BOLT, FLANGE M6X30 - F35.3 |
| 4 | 2 | 404206 | BOLT M6X12 | BOLT M6X12 - F35.4 |
| 5 | 1 | 404207 | MONTERINGSBESLAG HØJRE | RIGHT BRACKET ASSY - F35.5 |
| 6 | 2 | 404208 | MØTRIK M6 | NUT M6 - F35.6 |
| 7 | 1 | 404209 | MONTERINGSBESLAG VENSTRE | LEFT BRACKET ASSY - F35.7 |
| 8 | 1 | 404210 | GUMMIDÆMPER | RUBBER CUSHION - F35.8 |
| 9 | 2 | 404211 | MØTRIK M10X1.25 | NUT M10X1.25 - F35.9 |
| 10 | 2 | 404212 | GUMMIHÆTTE | DUST COVER - F35.10 |
| 11 | 1 | 404213 | BØS | BUSH - F35.11 |
| 12 | 1 | 404214 | BAGSVING | REAR FRAME WELDING - F35.12 |
| 13 | 1 | 404215 | AKSEL | REAR FRAME SHAFT - F35.13 |
| 14 | 1 | 404216 | AKSEL FOR MOTOR | ENGINE SHAFT - F35.14 |
| 15 | 1 | 404217 | MONTERINGSBESLAG | TAIL BRACKET ASSY - F35.15 |
| 16 | 2 | 404218 | BOLT M8X45 | BOLT M8X45 - F35.16 |
| 17 | 1 | 404219 | BOLT M8X85 | BOLT M8X85 - F35.17 |



| POS | QTY | PARTNUMBER | BESKRIVELSE | DESCRIPTION |
|-----|-----|------------|------------------------|-------------------------------------|
| 1 | 1 | 404221 | UDSTØDNING KOMPLET ALU | MUFFLER WELDING ASSY ALU - F36.1 |
| 2 | 2 | 404222 | BOLT M8X35 | BOLT M8X35 - F36.2 |
| 3-4 | 1 | 404223 | SLANGE MED KLEMME | TUBU WITH CLAMP - F36.3-4 |
| 5 | 1 | 404224 | VENTIL | VALVE - F36.5 |
| 6 | 1 | 404225 | SKIVE | WASHER - F36.6 |
| 7 | 2 | 404226 | BOLT M6X12 | BOLT M6X12 - F36.7 |
| 8 | 2 | 404227 | TOPMØTRIK | TOP NUT - F36.8 |
| 9 | 1 | 404220A | UDSTØDNINGSPAKNING | GASKET EXHAUST |

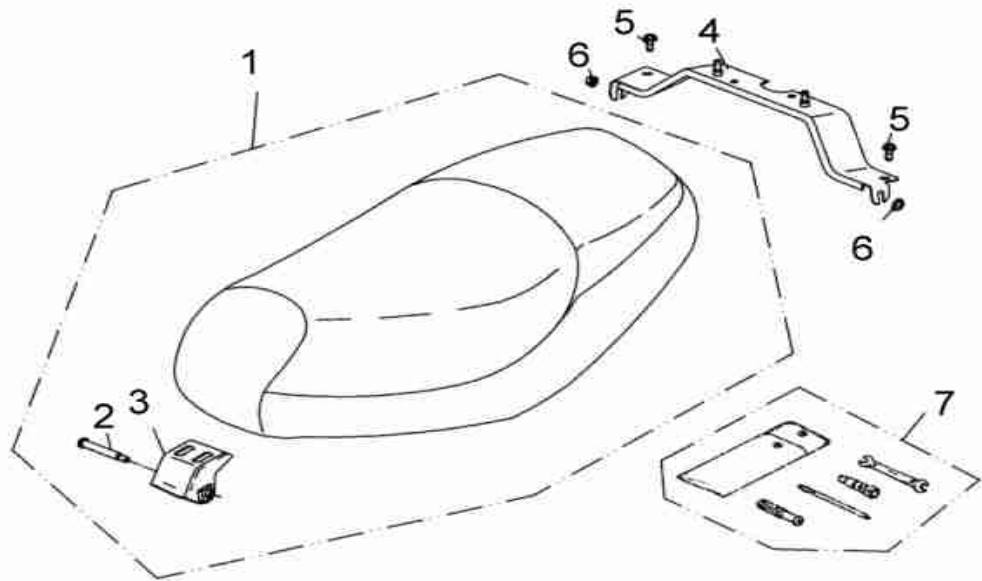
1



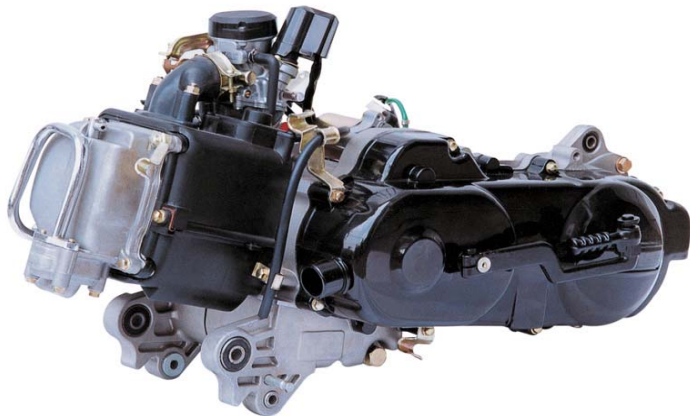
2



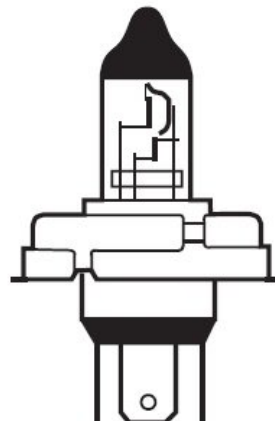
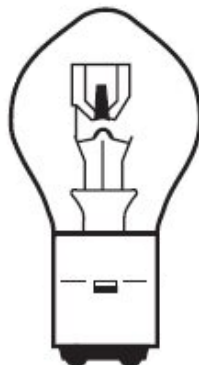
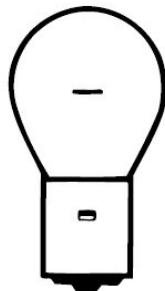
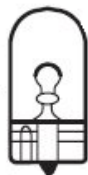
| Pos | Vare nr. / Part no. | Qty | Beskrivelse | Description |
|-----|---------------------|-----|----------------------|-------------------|
| 1 | 404221 | 1 | Udstødning Aluminium | Exhaust Aluminium |
| 2 | 404220 | 1 | Udstødning Sort | Exhaust Black |
| 6 | 408633 | 2 | Underlag | Rubber |
| 7 | 408634 | 2 | Spændebånd | Hoop |



| POS | QTY | PARTNUMBER | BESKRIVELSE | DESCRIPTION |
|------------|------------|-------------------|--------------------|---------------------|
| 1-3 | 1 | 404228 | SÆDE MED BESLAG | SEAT ASSY - F37.1-3 |
| 4 | 1 | 404229 | BESLAG | FRAME - F37.4 |
| 5 | 2 | 404230 | BOLT M6X12 | BOLT M6X12 - F37.5 |
| 6 | 2 | 404231 | MØTRIK M6 | NUT M6 - F37.6 |



| Pos | Vare nr. / Part no. | Qty | Beskrivelse | Description |
|-----|---------------------|-----|-------------------------------|-------------------------------|
| 1 | 407616 | 1 | Motor 45 KM - Uden karburator | Engine 45 KM - W/O carburetor |
| 1 | 407617 | 1 | Motor 30 KM - Uden karburator | Engine 30 KM - W/O carburetor |

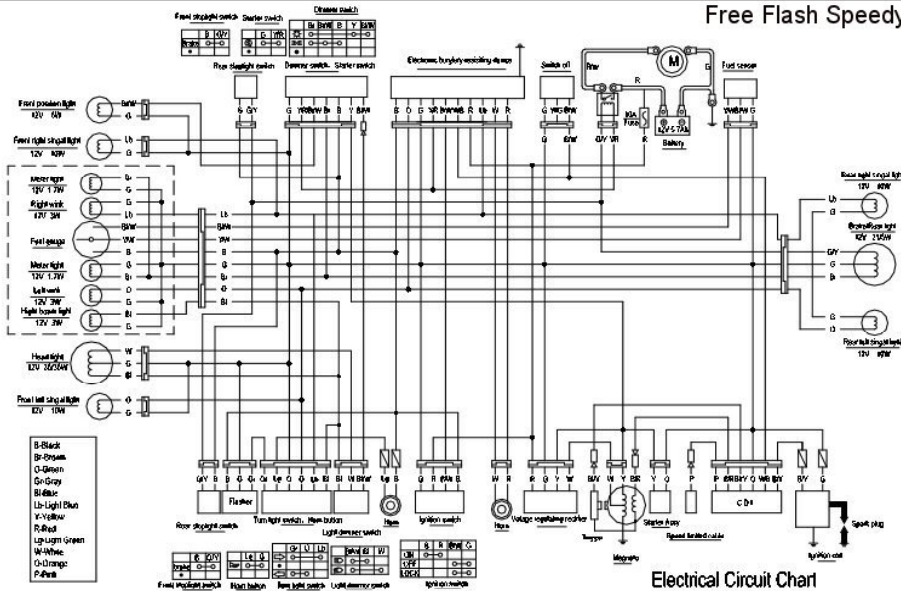


Texas Free 50-4
Texas Flash 30-4

Størrelse

Varenummer

| Parkeringslys | | |
|----------------------|--------------|--------|
| Forlygte | 12V / 35/35W | 401305 |
| Baglygte | 12V / 21/5W | 700530 |
| Blinklys - hvid pære | 12V / 10W | 700529 |
| Blinklys - gul pære | 12V / 10W | 401303 |



- B-Black
- Br-Brown
- G-Green
- Gr-Gray
- Bl-Blue
- Lb-Light Blue
- Y-Yellow
- R-Red
- Lp-Light Green
- W-White
- O-Orange
- P-Pink

Electrical Circuit Chart