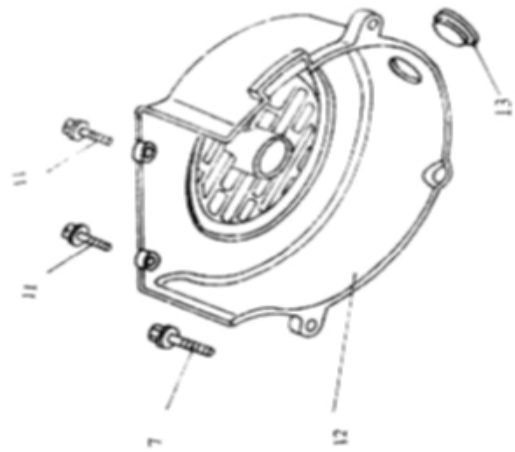
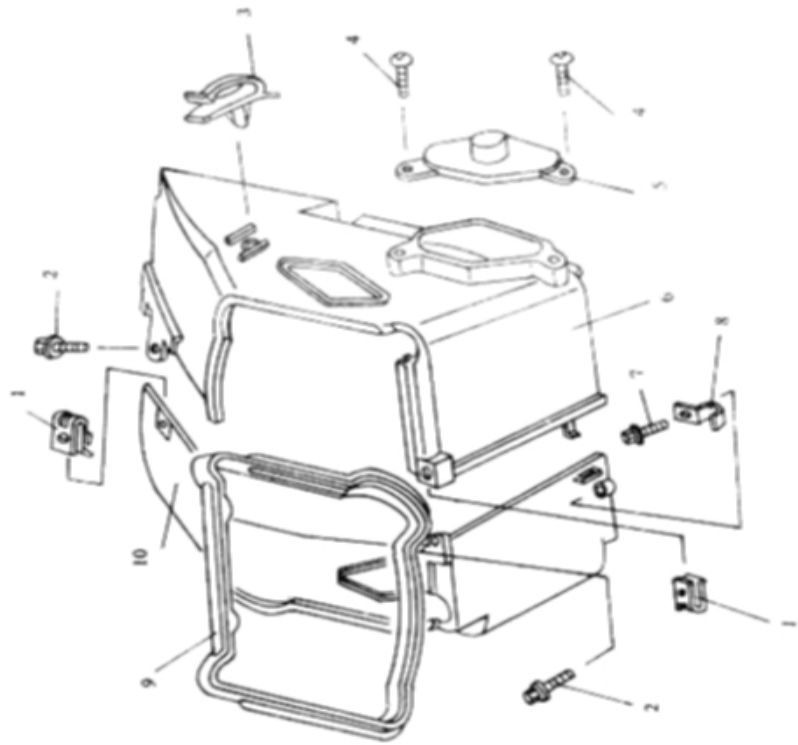
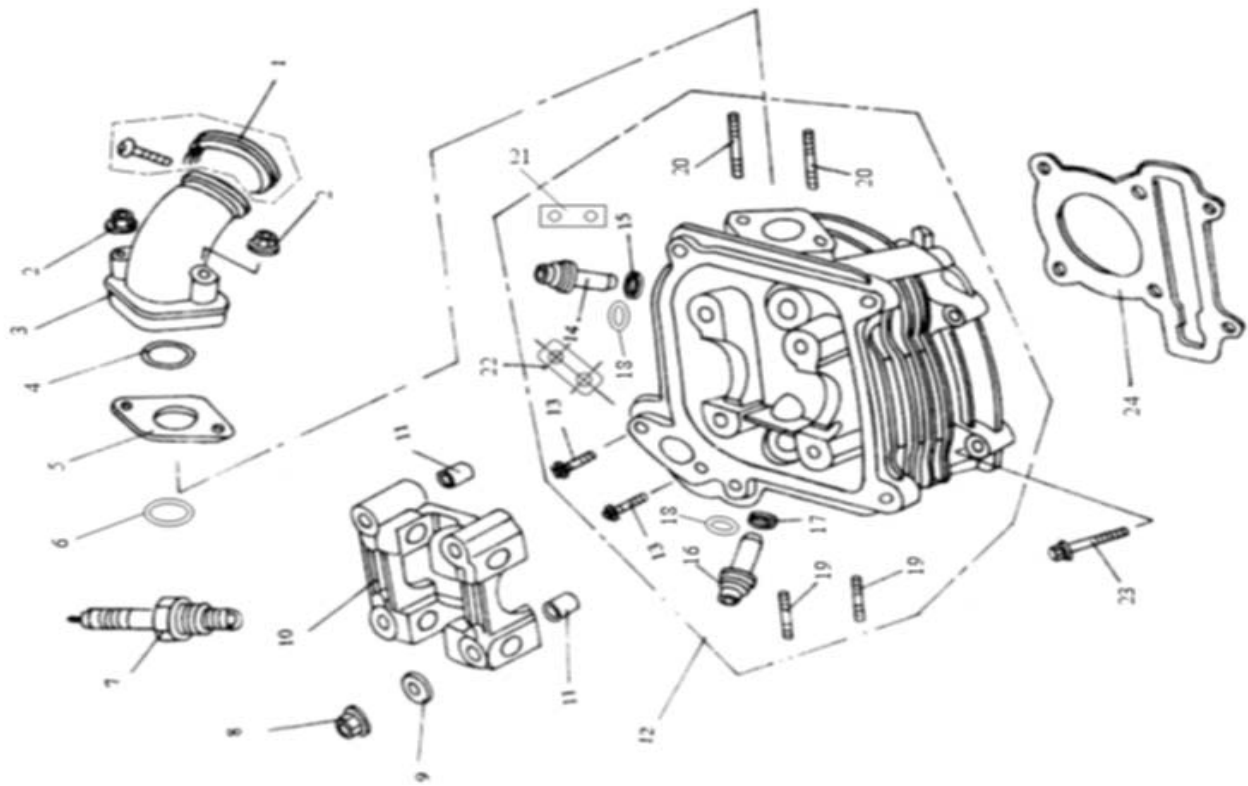


**Chili 30-4 2007**  
**90054089**  
**30 km/t**

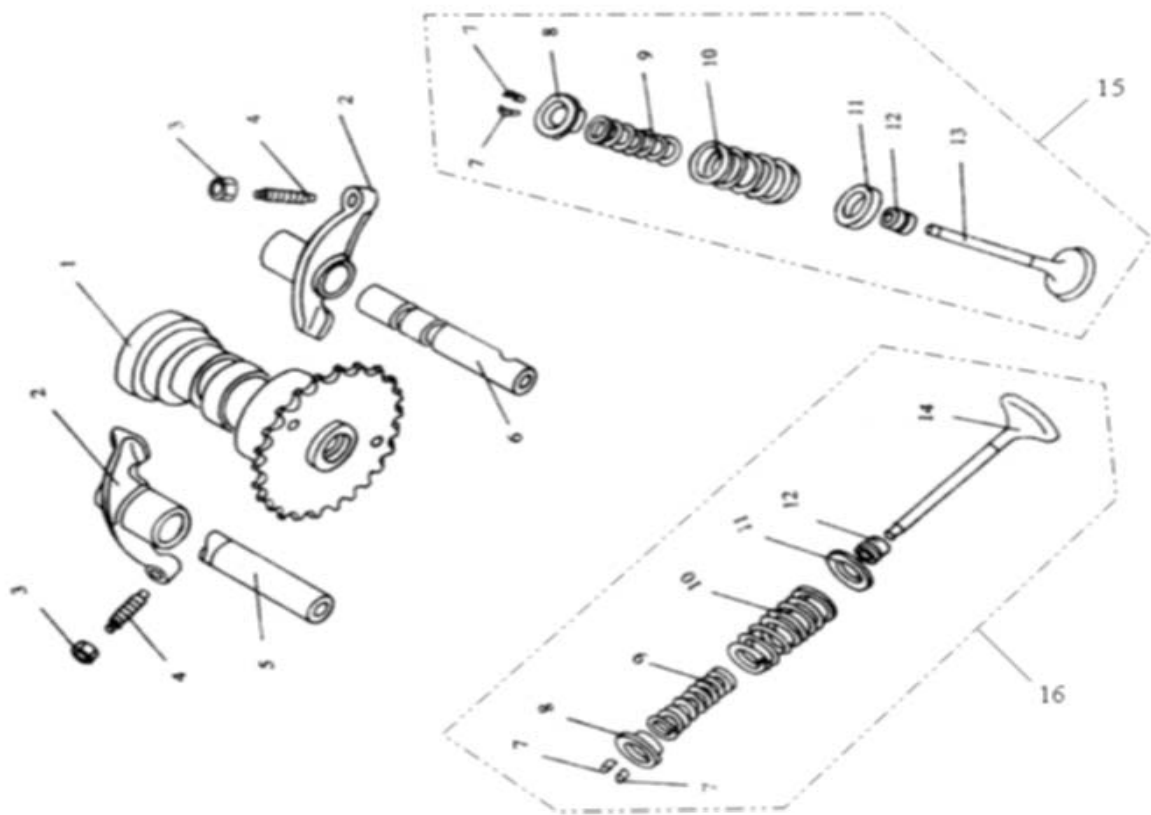




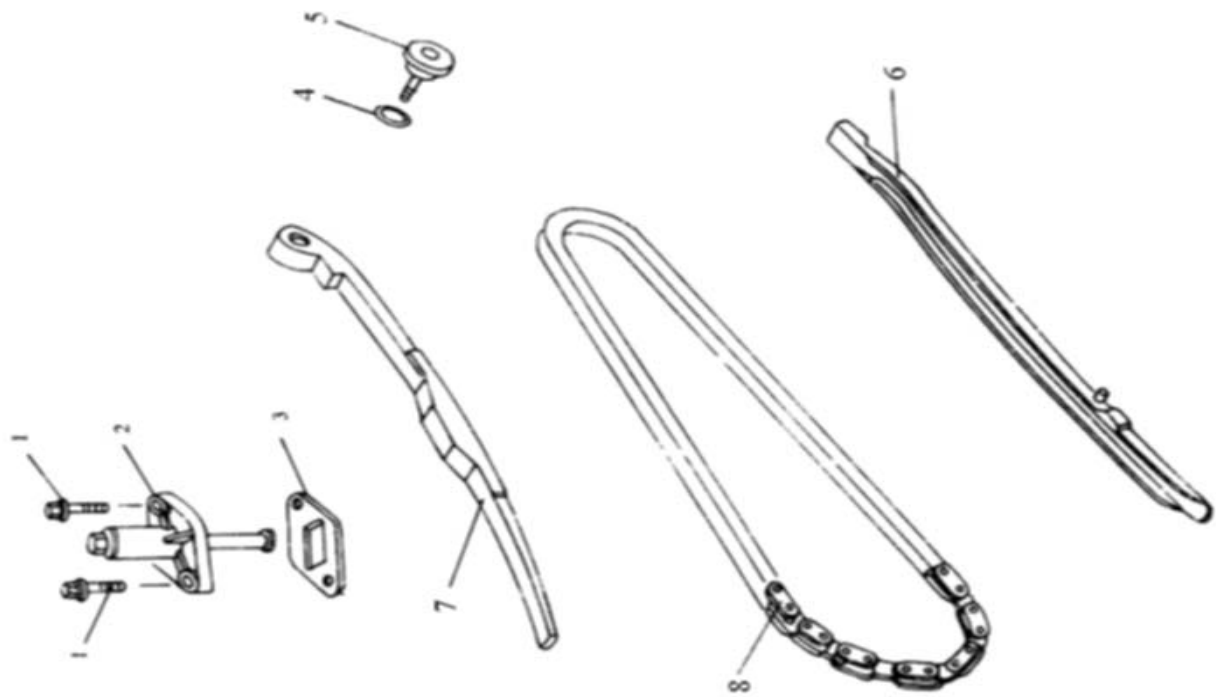
POS	QTY	PARTNUMBER	BESKRIVELSE	DESCRIPTION
1+10	2	403800	BLÆSEHUS NEDERST MED KLEMME	CLAMP - F1.1+10
2	2	403801	BOLT M6X16	BOLT M6X16 - F1.2
3-6	1	403802	BLÆSEHUS ØVERST	FANHOUSING UPPER F1.3-6
7	2	403803	BOLT M6X25	BOLT M6X25 - F1.7
8	1	403804	KLEMME	CLAMP F1.8
9	1	403805	GUMMI PAKNING	SEAL RING - F1.9
11	2	403806	BOLT M5X16	BOLT M5X16 - F1.11
12-13	1	403807	BLÆSEHUS	COVER BREATHER - F1.12



POS	QTY	PARTNUMBER	BESKRIVELSE	DESCRIPTION
1-4	1	403808	STUDS MED KLEMME	PIPE WITH CLAMP - F2.1-2+4
3	1	403809	MØTRIK M6	NUT M6 - F2.3
4	1	403810	O-RING 21X2	ISOLATOR, O-RING - F2.5
5	1	403811	PAKNING	GASKET - F2.6
6	1	403811	PAKNING	GASKET - F2.6
7	1	10011448	TÆNDRØR U20FSRU	U20FSRU
8	4	403812	MØTRIK	CYLINDER HEAD NUT - F2.8
9	4	403813	SKIVE	CYLINDER HEAD WASHER - F2.9
10	1	403814	LEJEVERFALD	CAM SEAT - F2.10
11	2	403815	STYREBØS	GUIDEBUSH - F2.11
12+14-17	1	403816	TOPSTYKKE	CYLINDER HEAD ASSY - F2.12+14-15
13	2	403817	BOLT M6X16	BOLT M6X16 - F2.13
19	2	403818	PINBOLT	BOLT, EXHAUST MUFFLER - F2.16
20	2	403819	PINBOLT	CARBURETOR BOLT, STUD - F2.17
21	1	403823	GUMMI PAKNING, LÅG	CAP RUBBER GASKET - F2.21
22	1	403822	LÅG	CAP - F2.20
23	2	403820	BOLT M6X85	BOLT M6X85 - F2.18
24	1	403821	TOPPAKNING	HEAD GASKET - F2.19

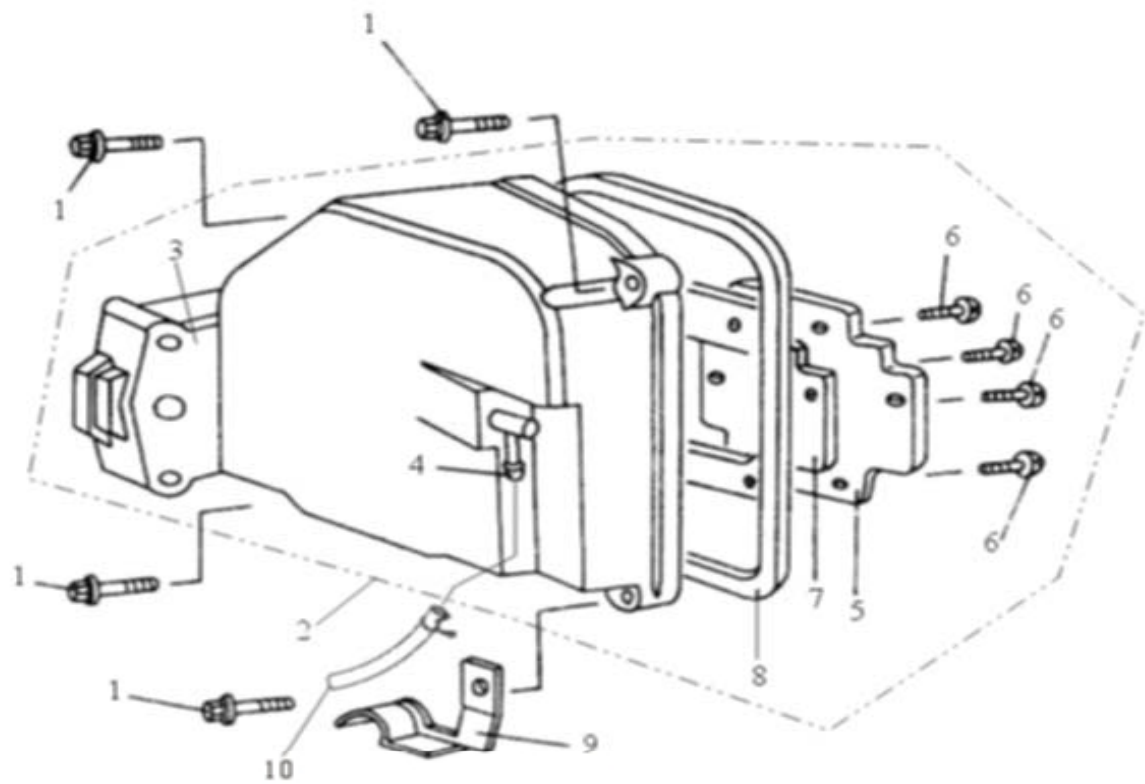


POS	QTY	PARTNUMBER	BESKRIVELSE	DESCRIPTION
1	1	403824	KNASTAKSEL	CAMSHAFT - F3.1
2	2	403825	VIPPEARM	ROCKERARM ASSY - F3.2
3	2	403825C	MØTRIK FOR STILLESKRUE	NUT FOR ADJUSTMENT
4	2	403825D	STILLESKRUE FOR VENTIL	ADJUSMENT SCREW
5	1	403825A	AKSEL Udstødningsside	SHAFT EXHAUST
6	1	403825B	AKSEL Indsugningsside	SHAFT INTAKE
7	2	403826	VENTIL LÅS	VALVE LOCK - F3.7
8	2	403827	BUND FOR FJEDER	SPRINGSEAT UPPER - F3.8
9	2	403828	VENTIL FJEDER INDRE	VALVESPRING INNER - F3.9
10	2	403829	VENTIL FJEDER YDRE	VALVESPRING OUTER - F.310
11	2	403830	BUND FOR FJEDER	SPRINGSEAT LOWER - F3.11
12	2	403831	PAKDÅSE	SEAL - F3.12
13	1	403832	VENTIL IND	VALVE INTAKE - F3.13
14	1	403833	VENTIL UD	VALVE EXHAUST - F3.14

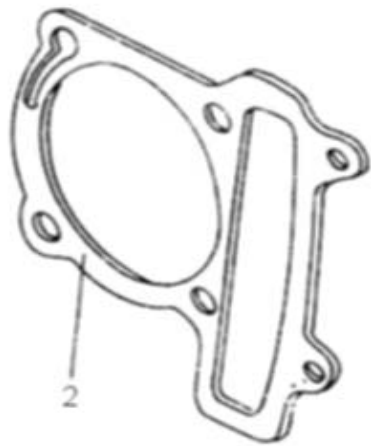
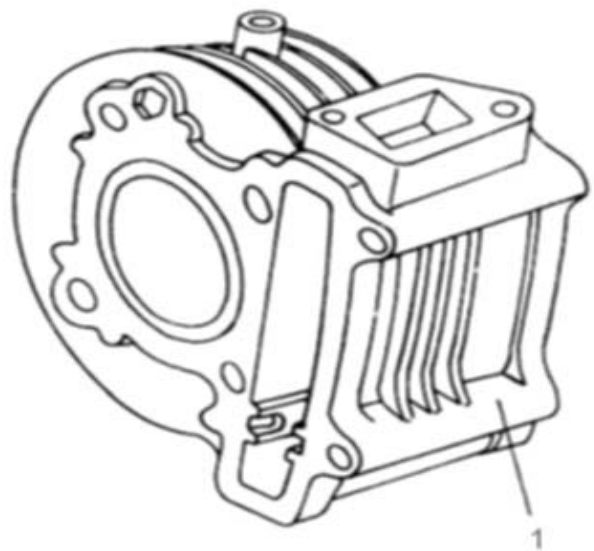




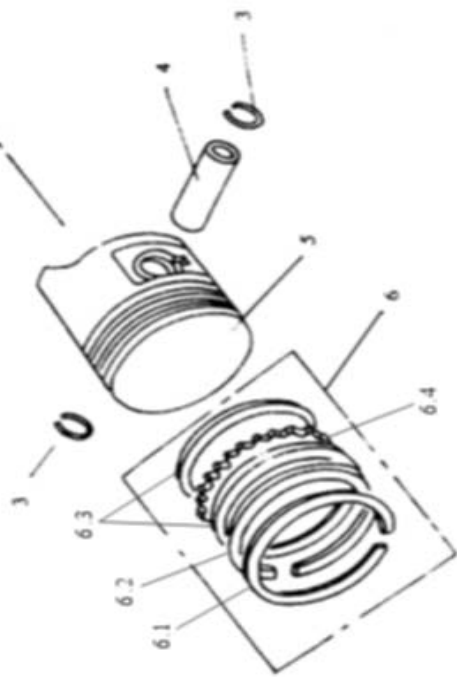
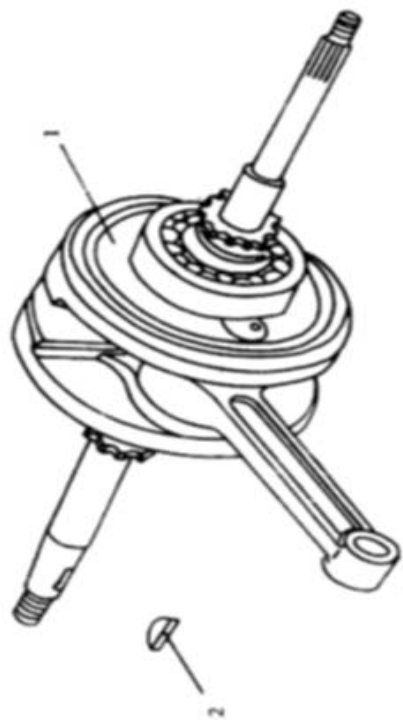
POS	QTY	PARTNUMBER	BESKRIVELSE	DESCRIPTION
1	2	403834	BOLT M6X16	BOLT M6X16 - F4.1
2	1	403835	JUSTERINGSKÆDE	TENSIONER ASSY - F4.2
3	1	403836	PAKNING	GASKET - F4.3
4	1	403837	O-RING	O-RING - F4.5
5	1	403838	SKRUE	SCREW - F4.6
6	1	403839	KÆDESTYR NEDERST	TENSIONER LOWER - F4.7
7	1	403840	KÆDESTYR ØVERST	TENSIONER UPPER- F4.8
8	1	403841	KNASTKÆDE	CAMCHAIN - F4.9



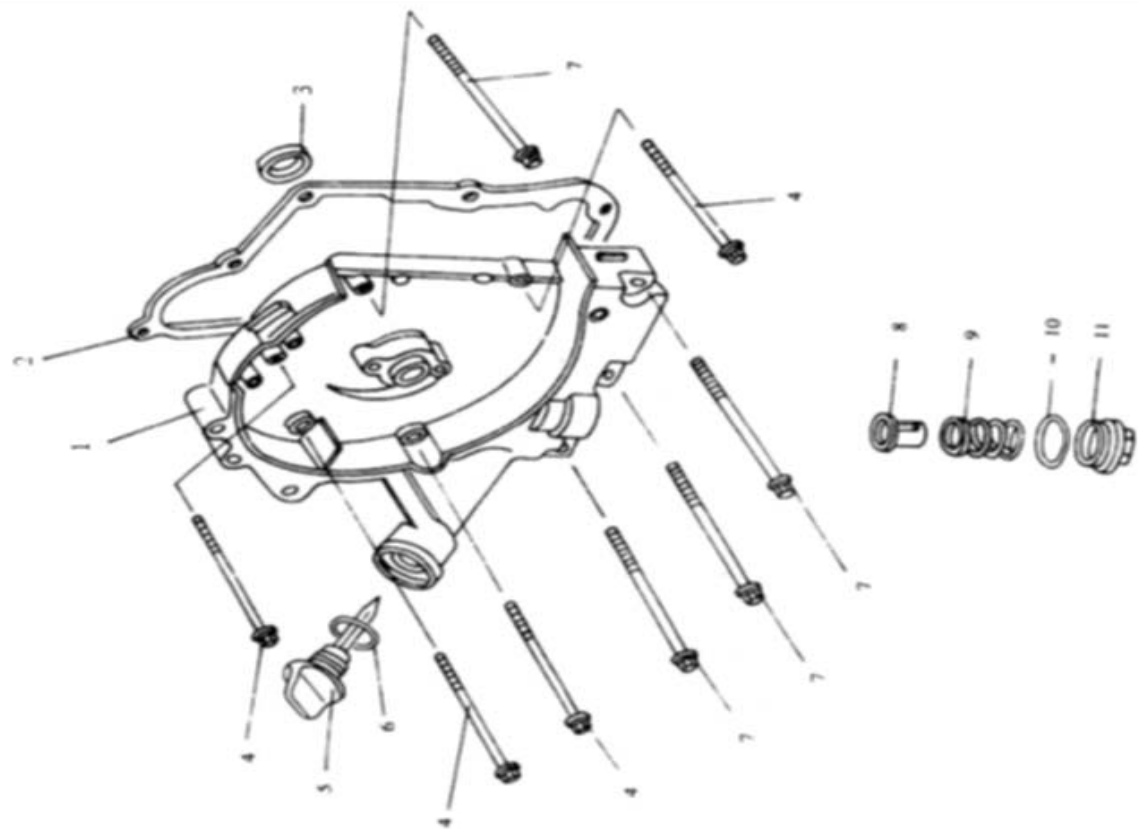
POS	QTY	PARTNUMBER	BESKRIVELSE	DESCRIPTION
1	4	403842	BOLT M6X25	BOLT M6X25 - F5.1
2	1	403843	VENTILDÆKSEL	CYLINDER COVER - F5.3
3	1	403844	VENTILRØR	VENTILATING TUBE CONNECTOR - F5.4
4	1	403845	DÆKSEL	VENTILATING CHAMBER COVER - F5.5
5	1	403846	BOLT M4X8	BOLT M4X8 - F5.6
6	1	403847	PAKNING	VENTILATING CHAMBER GASKET - F5.7
7	1	403848	PAKNING	CYLINDER COVER GASKET - F5.8
8	1	403848	PAKNING	CYLINDER COVER GASKET - F5.8
9	1	403849	HOLDER	CLIPTUBE - F5.9
10	1	404223	SLANGE MED KLEMME	TUBU WITH CLAMP - F36.3-4



POS	QTY	PARTNUMBER	BESKRIVELSE	DESCRIPTION
1	1	403850	CYLINDER	CYLINDER ASSY - F6.1
2	1	403851	CYLINDERPAKNING	GASKET, CYLINDER - F6.2
3	2	403852	STYREBØS	GUIDEBUSH - F6.3

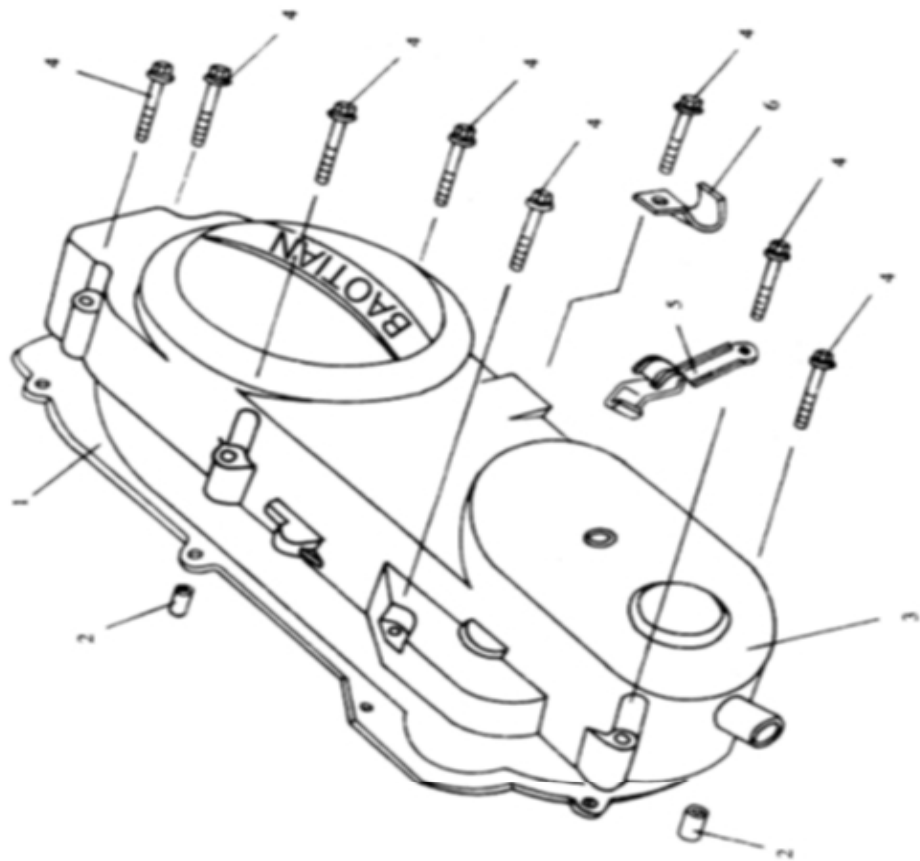


POS	QTY	PARTNUMBER	BESKRIVELSE	DESCRIPTION
1-2	1	403853	KRUMTAP MED FEDER	CRANKSHAFT WITH KEY - F7.1
3	2	403854	LÅS	PISTON PIN CLIP - F7.3
4	1	403855	KRYDSPIND	PIN PISTON - F7.4
5	1	403856	STEMPEL	PISTON - F7.5
6	1	403857	STEMPEL RINGE SÆT	PISTON RING ASSY - F7.6

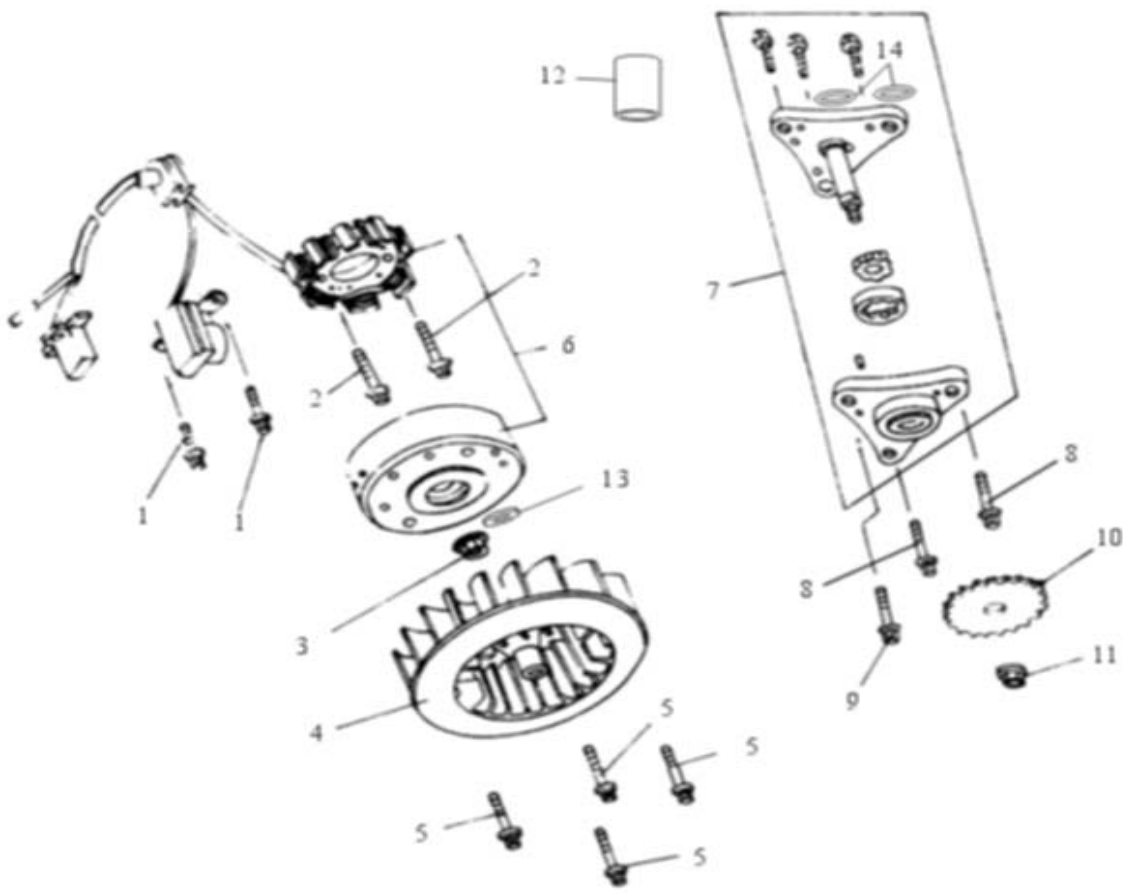




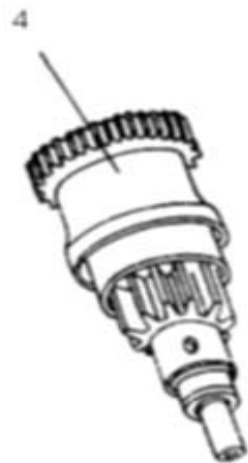
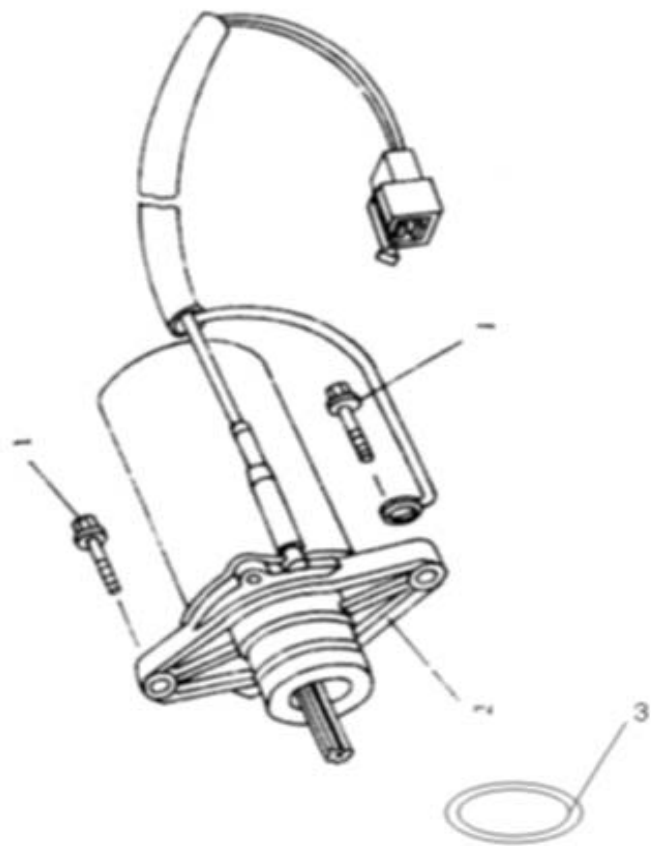
POS	QTY	PARTNUMBER	BESKRIVELSE	DESCRIPTION
1	1	403871	DÆKSEL, HØJRE	RIGHT COVER - F8.14
2	1	403870	PAKNING	GASKET, R-COVER - F8.13
3	1	403869	PAKDÅSE	OIL SEAL ASSY, R-COVER - F8.12
4	4	403861	BOLT M6X85	BOLT M6X85 - F8.4
5	1	403862	OLIE MÅLER	OIL LEVEL GAUGE - F8.5
6	1	403863	O-RING	O-RING, OIL FILTER - F8.6
7	4	403864	BOLT M6X100	BOLT M6X100 - F8.7
8	1	403865	OLIE FILTER	OIL FILTER - F8.8
9	1	403866	FJEDER	SPRING, OIL FILTER - F8.9
10	1	403867	O-RING	O-RING,OIL FILTER COVER - F8.10
11	1	403868	PROP, OLIE	CAP, OIL FILTER COVER - F8.11



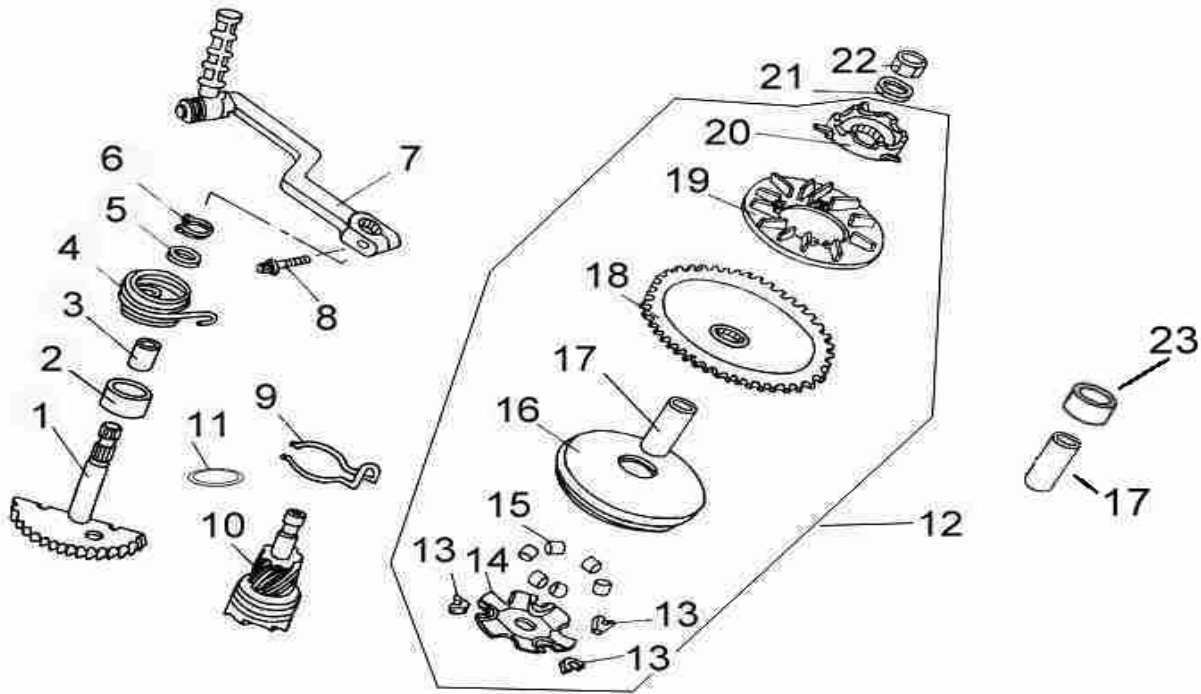
POS	QTY	PARTNUMBER	BESKRIVELSE	DESCRIPTION
1	1	408526	PAKNING	GASKET, L-COVER- F9.1
2	2	403873	STIFT	DOWEL PIN - F9.2
3	1	408527	DÆKSEL	LEFT COVER- F9.3
4	8	403875	BRUG 90122134	USE 90122134
5	1	403876	KABELHOLDER	CLAMPER ASSY - F9.5
6	1	403877	KABELHOLDER BREMSEKABEL	CLAMPER, BRAKER CABLE - F9.6



POS	QTY	PARTNUMBER	BESKRIVELSE	DESCRIPTION
1	2	403878	BOLT M5X12	BOLT M5X12 - F10.1
2	2	403879	BOLT M6X22	BOLT M6X22 - F10.2
3	1	403880	MØTRIK M10X1.25	R.NUT, CAMSHAFT - F10.3
4	1	403881	BLÆSEHJUL	COOLING FAN - F10.4
5	4	403882	BOLT M6X16	BOLT M6X16 - F10.5
6	1	403883	GENERATOR KPL	GENERATOR ASSY - F10.6
7	1	403884	OLIEPUMPE KOMPLET	OIL PUMP ASSY - F10.7
8	2	403885	BOLT M6X20	BOLT M6X20 - F10.8
9	1	403886	BOLT M6X25	BOLT M6X25 - F10.9
10	1	403887	TANDHJUL	CHAIN OIL PUMP DIVER - F10.10
11	1	403888	MØTRIK M6	NUT M6 - F10.11
12	1	403889	PAL	OIL PUMP DOWEL PIN - F10.12
13	1	408528	SKIVE	WASHER- F10.13
14	2	408524	O-RING 9X1.7	O-RING 9X1.7

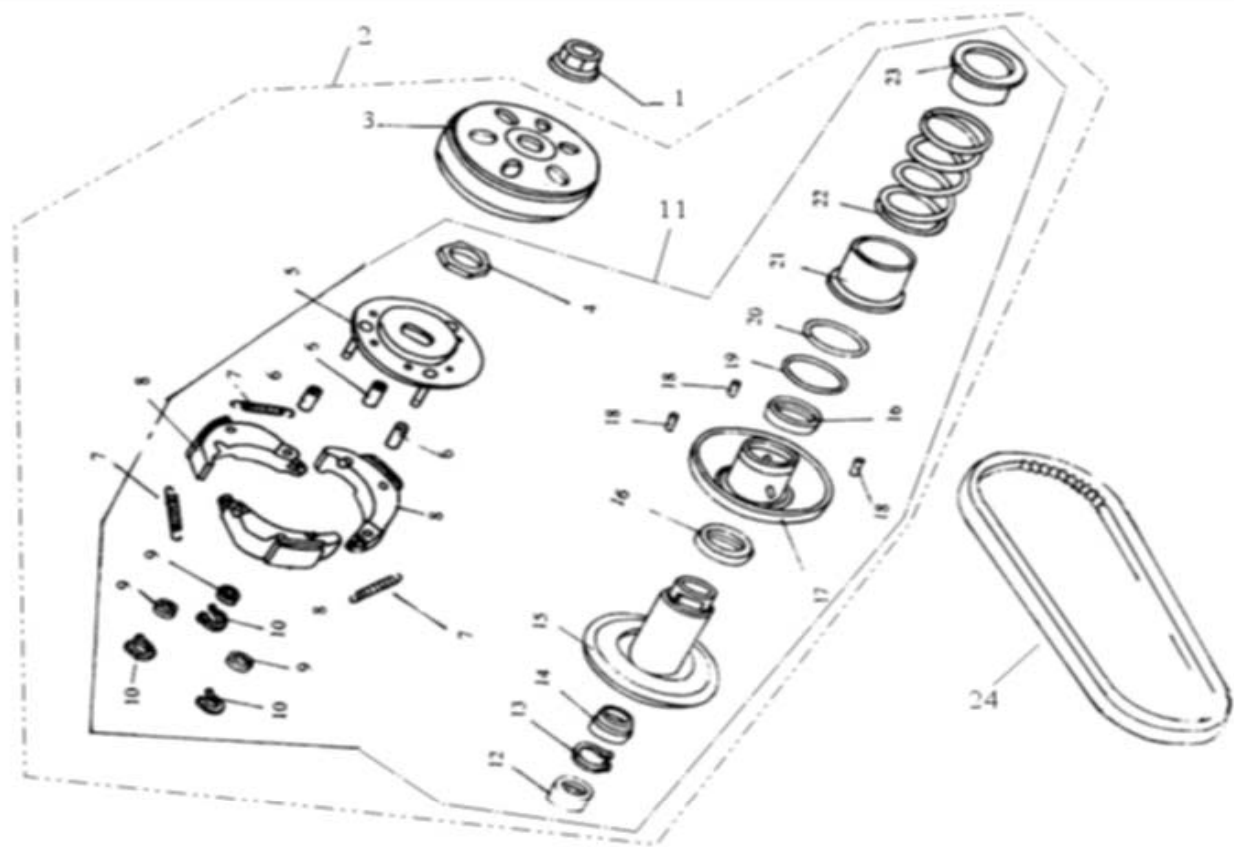


POS	QTY	PARTNUMBER	BESKRIVELSE	DESCRIPTION
1	2	403890	BOLT M6X25	BOLT M6X25 - F11.1
2-3	1	403891	STARTER MOTOR KOMPLET	STARTER MOTOR ASSY - F11.2
4	1	403892	STARTERDREV ELSTART	SINGLE DIRECTOR ASSY - F11.4

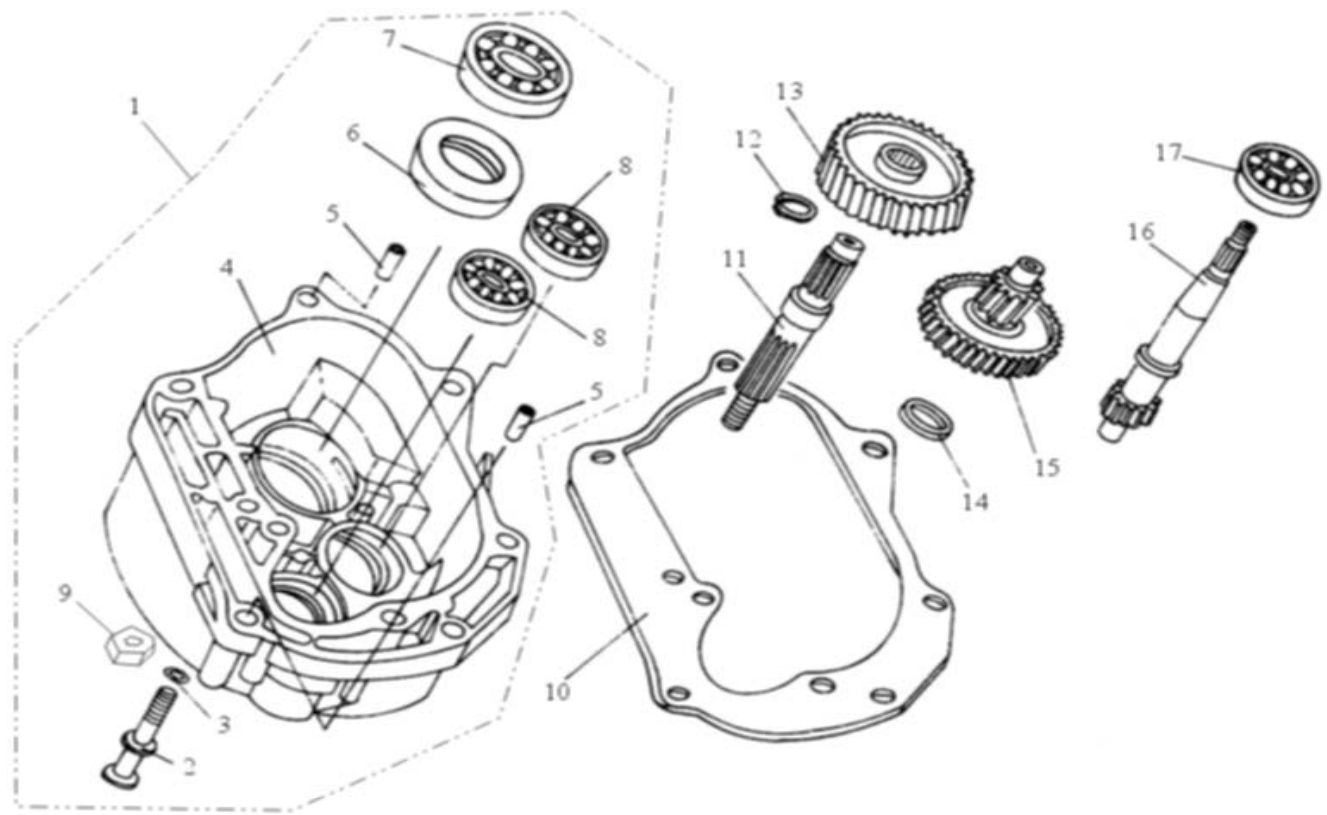




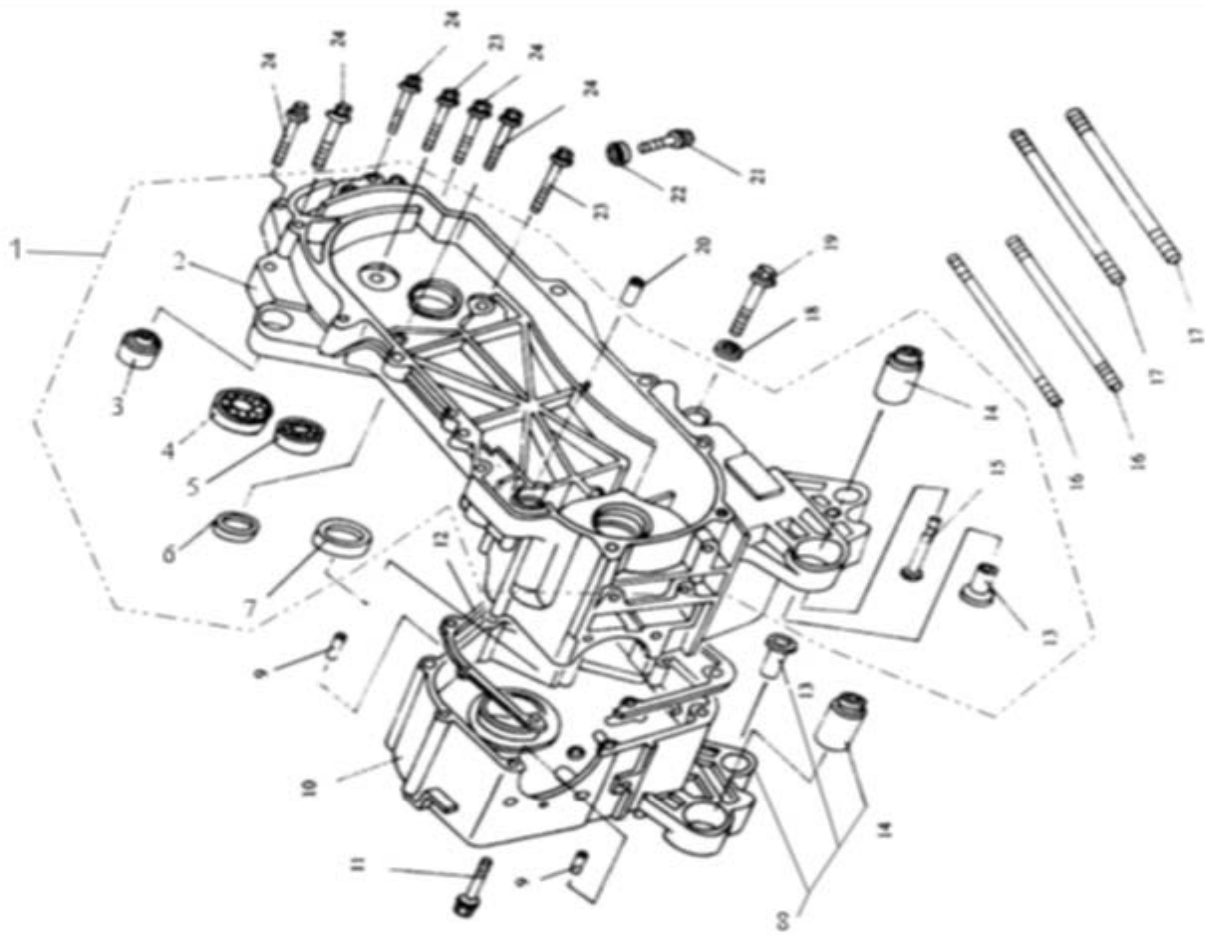
POS	QTY	PARTNUMBER	BESKRIVELSE	DESCRIPTION
1	1	403893	STARTERDREV KICKSTART KORT 48MM	KICK STARTER SHAFT SHORT 48MM
1	1	408678	STARTDREV KICKSTART LANG 62MM	KICK STARTER SHAFT LONG 62MM
2	1	403893A	BØS	BUSH - F12.2
3	1	403893B	BØS	BUSH F12.3
4	1	403893C	FJEDER	SPRING - F12.4
5	1	403993D	SKIVE	WASHER - F12.5
6	1	403893E	LÅSERING	LOCKRING - F12.6
7	1	403894	KICK STARTER ARM	ARM ASSY, KICK STARTER - F12.7
8	1	403895	BOLT M6X22	BOLT M6X22 - F12.8
9	1	403896	FJEDER	SPRING - F12.9
10	1	403897	GEAR	GEAR COMP, IDLE - F12.10
11	1	403898	SKIVE	WASHER - F12.11
12-20	1	403900	VARIO KOMPLET 30 KM	VARIO ASSY 30 KM
13	3	407614	GLIDESTYKKE FOR VARIO	HOLDER FOR VARIO
17	1	404338	BØS 30KM/T	BUSH FLASH 30-4 F12.17
21	1	403901	SKIVE Ø12	WASHER Ø12 - F12.21
22	1	403902	MØTRIK M12X1.25	NUT M12X1.25 - F12.22
23	1	409009	RING 30KM// 10,0MM	RING 30KM 10,00MM



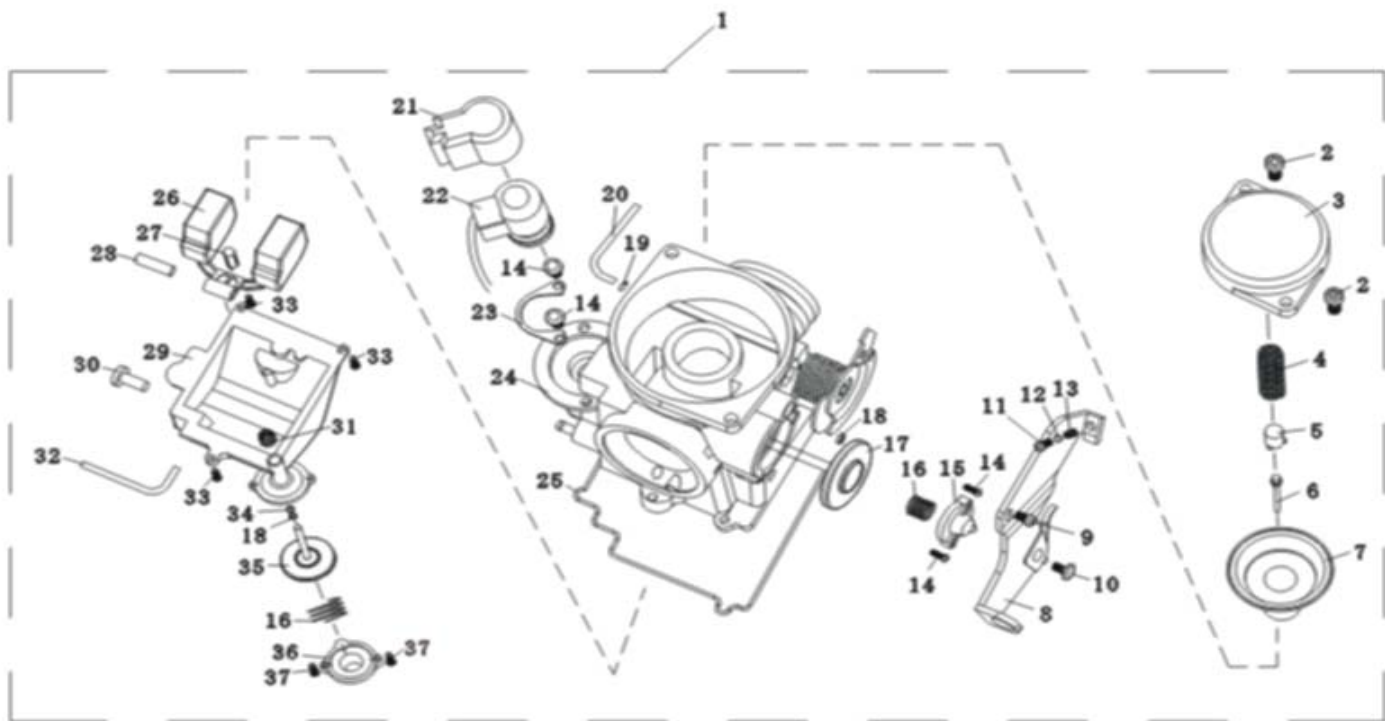
POS	QTY	PARTNUMBER	BESKRIVELSE	DESCRIPTION
1	1	403903	MØTRIK M10X1.25	NUT M10X1.25 - F13.1
2-23	1	403904	KOBLING KOMPLET	DRIVER PULLER ASSY - F13.2
24	1	408023	VARIOREM	V-BELT F13.24



POS	QTY	PARTNUMBER	BESKRIVELSE	DESCRIPTION
1	1	403906	GEARKASSE KPL	REAR TRANSMISSION BOX ASSY - F14.1
2+11	1	403907	AKSEL MED PAL	SHAFT ASSY - F14.2
3	1	403908	O-RING	O-RING - F14.3
4	1	403909	DÆKSEL FOR GEARKASSE	REAR TRANSMISSION BOX - F14.4
5	2	403910	BØS	PIN- F14.5
6	1	403911	PAKDÅSE 27X42X7	OIL SEAL 27X42X7 - F14.6
7	1	403912	LEJE	BEARING - F14.7
8	2	403913	LEJE 6201	USE 403926
9	1	403914	MØTRIK M8	NUT M8 - F14.9
10	1	403915	PAKNING	GASKET, REAR COVER - F14.10
12	1	403916	LÅS	CLIP - F14.12
13	1	403917	GEAR, TANDHJUL	GEAR - F14.13
14	1	403918	SKIVE	WASHER - F14.14
15	1	403919	AKSEL	COUNTERSHAFT - F14.15
16	1	403920	AKSEL	DRIVESHAFT - F14.16
17	1	403921	LEJE	BEARING - F14.17

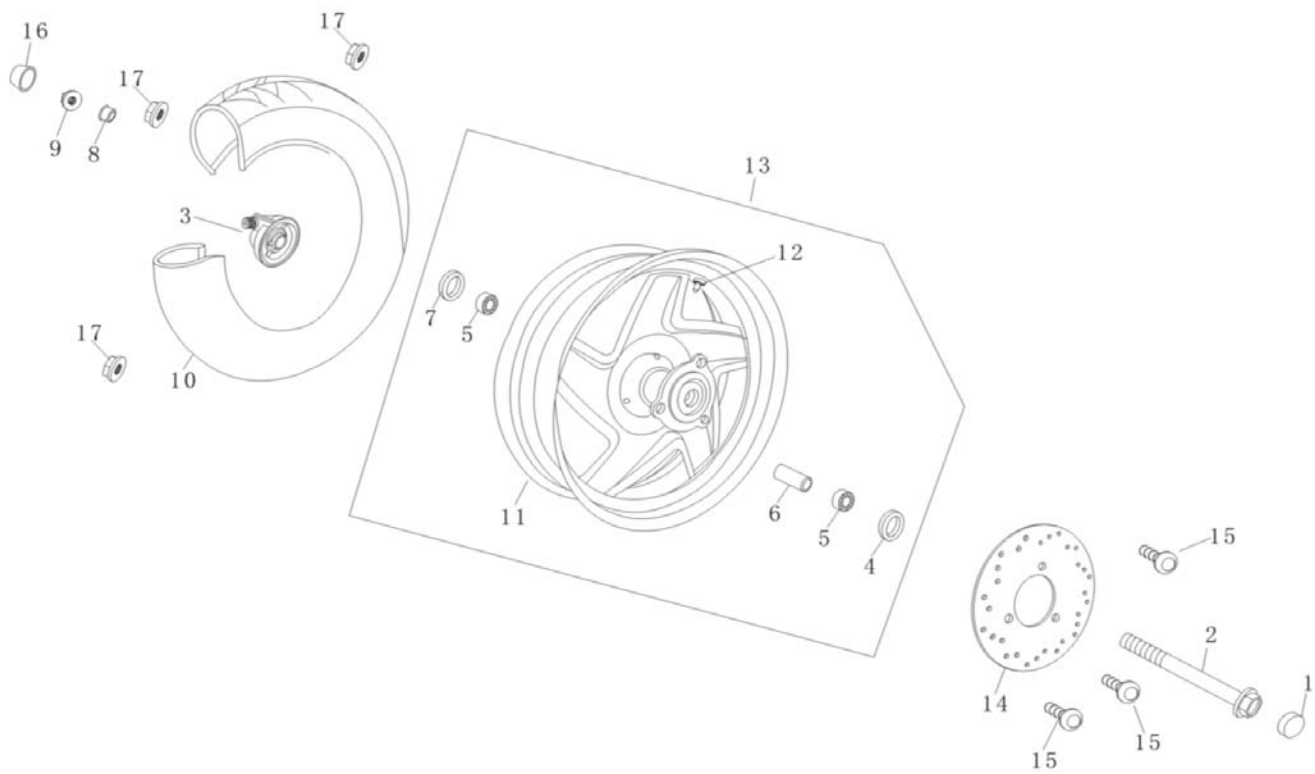


POS	QTY	PARTNUMBER	BESKRIVELSE	DESCRIPTION
1	1	408531	KRUMTAPHUS KPL	LEFT CRANKCASE ASSY.- F15.1
2	1	408532	KRUMTAPHUS VENSTRE	LEFT CRANKCASE- F15.2
3	1	403924	OPHÆNG	BUSH - F15.3
4	2	403925	LEJE	BEARING - F15.4
5	1	403926	LEJE 6201	BEARING - F15.5
6	1	403927	PAKDÅSE 19,3X30X5	SEAL - F15.6
7	1	403928	PAKDÅSE	OIL SEAL - F15.7
8	1	403929	KRUMTAPHUS HØJRE KPL	CRANKCASE ASSY R - F15.8
9	2	403930	PAL	PIN, DOWEL - F15.9
10	1	403931	KRUMTAPHUS HØJRE	CRANCASE R.- F15.10
11	1	403932	BOLT M6X45	BOLT M6X45 - F15.11
12	1	403933	PAKNING	GASKET, CRANKCASE - F15.12
13	2	403934	BØS	BUSH - F15.13
14	2	403935	BØS	BUSH -F15.14
15	2	403936	AKSEL	FIXNG SHAFT - F15.15
16	2	403937	BOLT	STUD - F15.16
17	2	403938	BOLT	STUD - F15.17
18	1	403939	SKIVE Ø12	WASHER, PLUG Ø 12 - F15.18
19	1	403940	BOLT	DRAM PLUG - F15.19
20	1	403941	BØS	BUSH - F15.20
21	1	403942	BOLT M8X12	BOLT M8X12 - F15.21
22	1	403943	SKIVE Ø8	WASHER Ø8 - F15.22
23	2	403944	BOLT M8X35	BOLT M8X35 - F15.23
24	5	403945	BOLT M8X40	BOLT M8X40 - F15.24

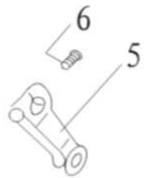
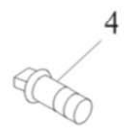
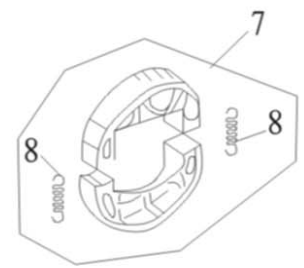
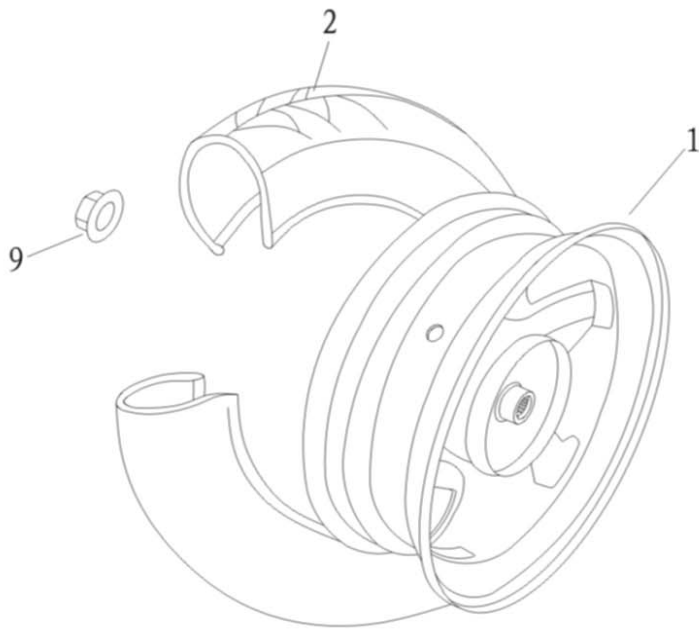




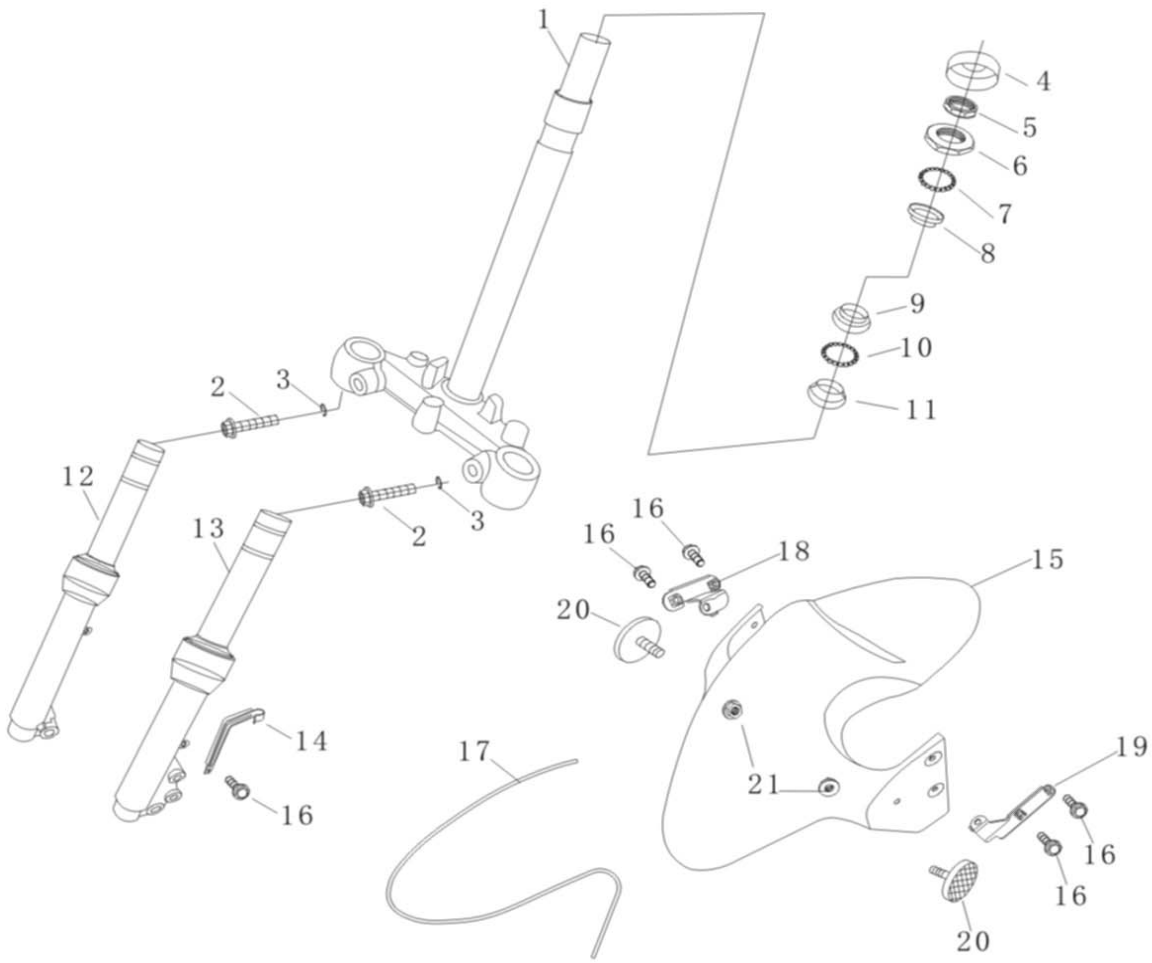
POS	QTY	PARTNUMBER	BESKRIVELSE	DESCRIPTION
1	1	403946A	KARBURATOR 30KM	CARBURETOR 30KM - F16.1
2	2	408533	SKRUE	SCREW SPRING PLATE- F16.2
3	1	403948	PLADE	SPRING PLATE - F16.3
4	1	403949	FJEDER	PLATE SPRING - F16.4
5	1	403950	FJEDERSÆDE	SPRING SOCKET - F16.5
6	1	403951	NÅL FREE 50-4	JET CARBURETOR FREE 50-4 - F16.6
7	1	403953	STEMPEL MED MEMBRAM	PISTON VACUUM ASSY 45KM-F16.7
8	1	403954	CHOKERARM	CONTORL LEVER - F16.8
9	1	403955	BOLT M5X8	BOLT M5X8 - F16.9
10	1	403956	BOLT M5X14	BOLT M5X14 - F16.10
11	1	403957	BOLT M4X14	BOLT M4X14 - F16.11
12	1	403958	SKIVE	WASHER 4 - F16.12
13	1	403959	FJEDER	SPRING - F16.13
14	4	403960	BOLT M4X8	BOLT M4X8 - F16.14
15	1	403961	VENTIL LÅG	VALVE COVER - F16.15
16	2	403962	VENTIL FJEDER	VALVESPRING - F16.16
17	1	403963	VENTIL	VALVE - F16.17
18	2	403964	RING	SEALING RING - F16.18
19	1	403965	KLEMME	CLIP, TUBE - F16.19
20	1	403966	LUFT RØR	BREATHER TUBE - F16.20
21	1	403967	LÅG	CAP, STATER VALVE - F16.21
22	1	403968	CHOKER	CHOKER - F16.22
23	1	403969	HOLDER	STARTER SOCKET - F16.23
24	1	403970	KARBURATOR HUS	CARBURETOR BODY - F16.24
25	1	403971	PAKNING	SEAL , FLOAT CHAMBER - F16.25
26	1	403972	SVØMMER	FLOAT - F16.26
27	1	403973	SVØMMER NÅL	FLOAT VALVE ASSY - F16.27
28	1	403974	BØS	PIN, FLOAT VALVE - F16.28
29	1	403975	BUND FOR KARBURATOR	CARBURETOR COVER - F16.29
30	1	403976	BUNDSKRUE	TAPPING BOLT - F16.30
31	1	403977	LÅG	DUST SEAL CAP - F16.31
32	1	403978	OVERLØBS RØR	OVER FLOW TUBE - F16.32
33	3	403979	BOLT M4X12	BOLT M4X12 - F16.33
34	1	403980	PAKNING	SEALING RING - F16.34
35	1	403981	PUMPE NÅL	PLUG PUMP ASSY - F16.35
36	1	403982	PUMPE	PUMP LOWER COVER - F16.36
37	2	403983	BOLT M4X10	BOLT M4X10 - F16.37
38	1	405023	DYSE 66 MM	NOZZLE 66 MM
38	1	405023A	DYSE 70 MM	NOZZLE 70 MM
38	1	405023B	DYSE 74 MM	NOZZLE 74 MM
38	1	405023C	DYSE 68 MM	NOZZLE 68 MM
38	1	405023D	DYSE 72 MM	NOZZLE 72 MM
38	1	405023E	DYSE 76 MM	NOZZLE 76 MM
38	1	405023F	DYSE 78 MM	NOZZLE 78 MM
39	1	405024	DYSERØR	NOZZLE TUBE
40	1	405025	TOMGANGSDYSE	IDLE NOZZLE



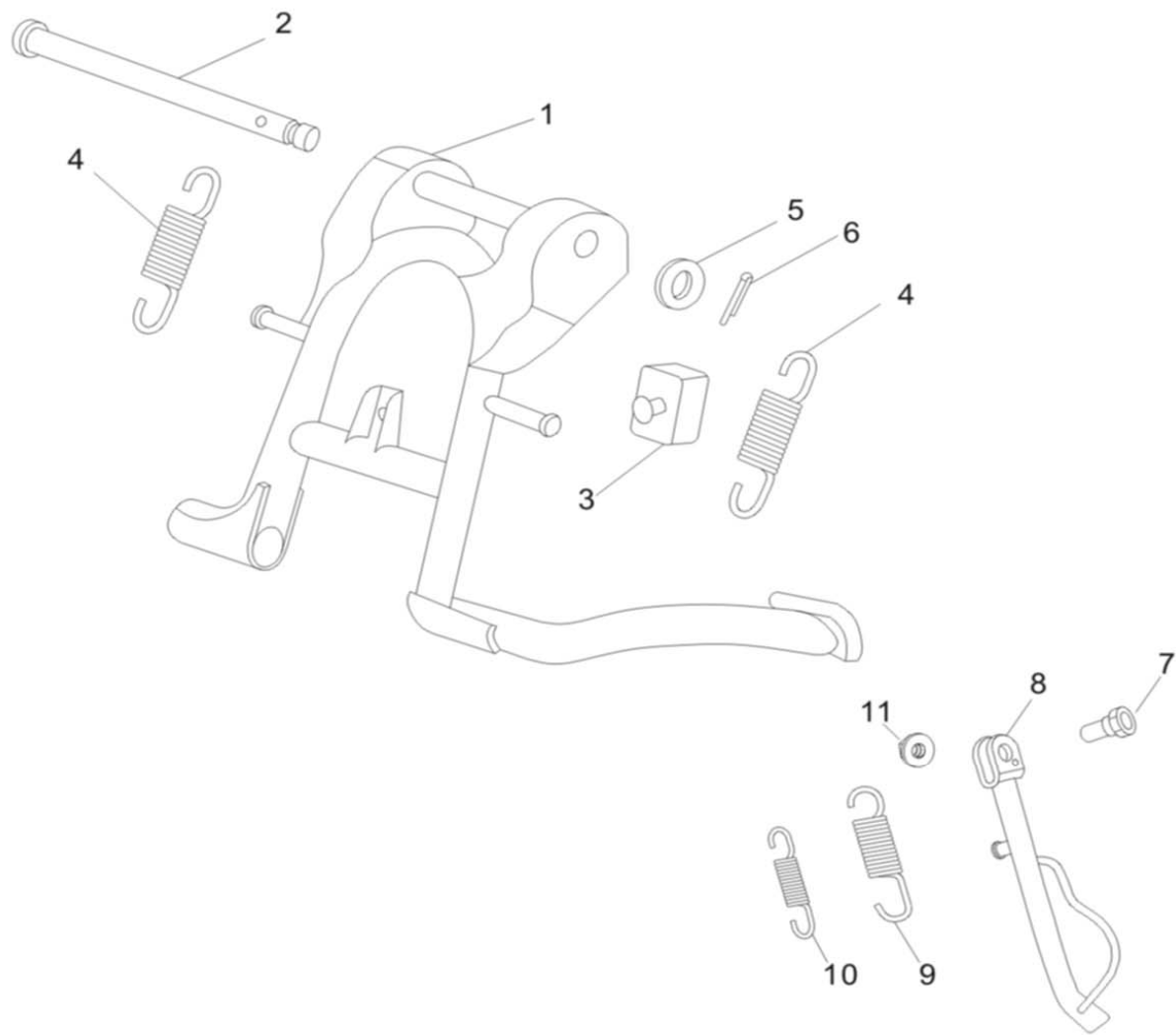
POS	QTY	PARTNUMBER	BESKRIVELSE	DESCRIPTION
1	1	405546	HÆTTE VENSTRE	LEFT RUBBER CAP - F1.15
2	1	408534	AKSEL	FRONT WHEEL AXLE- F17.2
3	1	408535	SPEEDOMETERDREV	SPEEDCOUNTER -F17.3
4	1	408536	PAKDÅSE 40X40X5	DUST SEAL, FRONT WHEEL- F17.4
5	2	403986	BRUG 403926	USE 403926
6	1	408537	BØS	CENTRAL BUSH- F17.6
7	1	408538	PAKDÅSE 37X23X7	SEAL 37X23X7-F17.7
8	1	408539	BØS	RIGHT BUSH- F17.8
9	1	403991	MØTRIK M12X1.25	NUT M12X1.25 - F18.9
10	1	408540	DÆK 120/70-12	TYRE 120/70-12- F17.10
11	1	408541	FÆLG	FRONT RIM MT3.5XJ12- F17.11
12	1	408542	VENTIL	VALVE- F17.12
14	1	408543	SKIVE, BREMSE	BRAKE DISC- F17.14
15	3	408544	BOLT	BOLT- F17.15
16	1	405547	HÆTTE HØJRE	RIGHT RUBBER CAP - F1.16
17	3	292312	MØTRIK M10X1,25	NUT M10



POS	QTY	PARTNUMBER	BESKRIVELSE	DESCRIPTION
1	1	408545	FÆLG	REAR RIM MT3.5XJ12- F18.1
2	1	408546	DÆK 130/70-12	TYRE 130/70-12- F18.2
3	1	408547	VENTIL	VALVE- F18.3
4	1	408548	AKSEL FOR BREMSE	SHAFT-F18.4
5	1	408549	ARM FOR BAGBREMSE	SHAFT-F18.5
6	1	404887	BOLT M6X35	BOLT M6X35
7	1	408550	BREMSEBAKKE KOMPLET	BRAKE SHOE ASSY. (FR.)- F18.7
8	2	408551	FJEDER	BRAKE SPRING-F18.8
9	1	404004	LÅSEMØTRIK M16X1.5	LOCKNUT M16X1.5 - F19.9

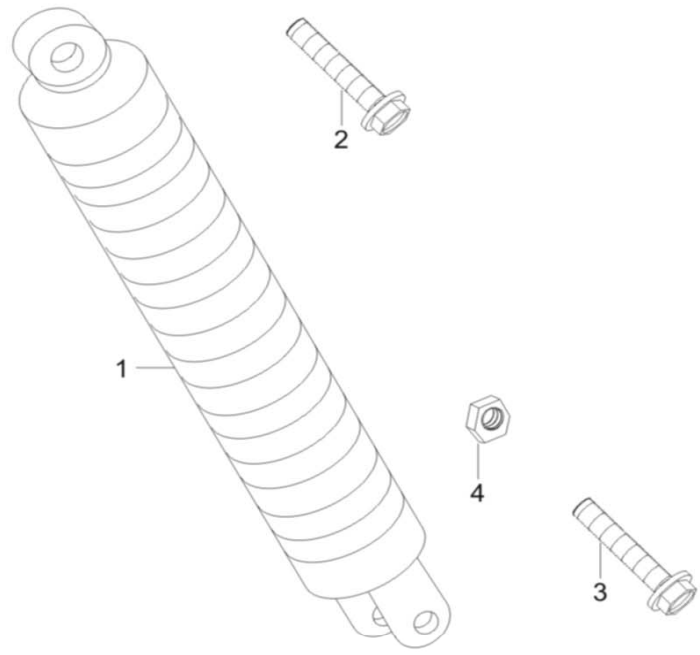


POS	QTY	PARTNUMBER	BESKRIVELSE	DESCRIPTION
1	1	408662	KRONRØR	STERING STEM
2	2	90102944	STÅLBOLT M10X50 8.8 FZB	BOLT M10X50
3	2	90102212	LÅSESKIVE M10	LOCKWASHER M10
4-8	1	408552	KRONRØRSKIT ØVRE	UPPER BALL ASSY -F19.7
9-11	1	408553	KRONRØRSKIT NEDRE	BOTTOM BALL ASSY.- F19.10
12	1	408554	STØDDÆMPER HØJRE	FRONT SHOCK ABSORBER, RIGHT- F19.12
13	1	408555	STØDDÆMPER VENSTRE	FRONT SHOCK ABSORBER, LEFT- F19.13
14	1	408556	KABELHOLDER	CLIP- F19.14
15	1	408518	SKÆRM	FENDER
16	5	290398	FLANGEBOLT M6X16	FLANGEBOLT M6X16
17	1	408557	GUMMIKANT	RUBBER STRIP, FRONT FENDER- F19.17
18	1	408028	BESLAG	BRACKET
19	1	408029	BESLAG	BRACKET
20	2	408558	REFLEKS	SIDE REFLECTOR- F19.20
21	2	90180951	FLANGEMØTRIK M6	FLANGED NUT M6

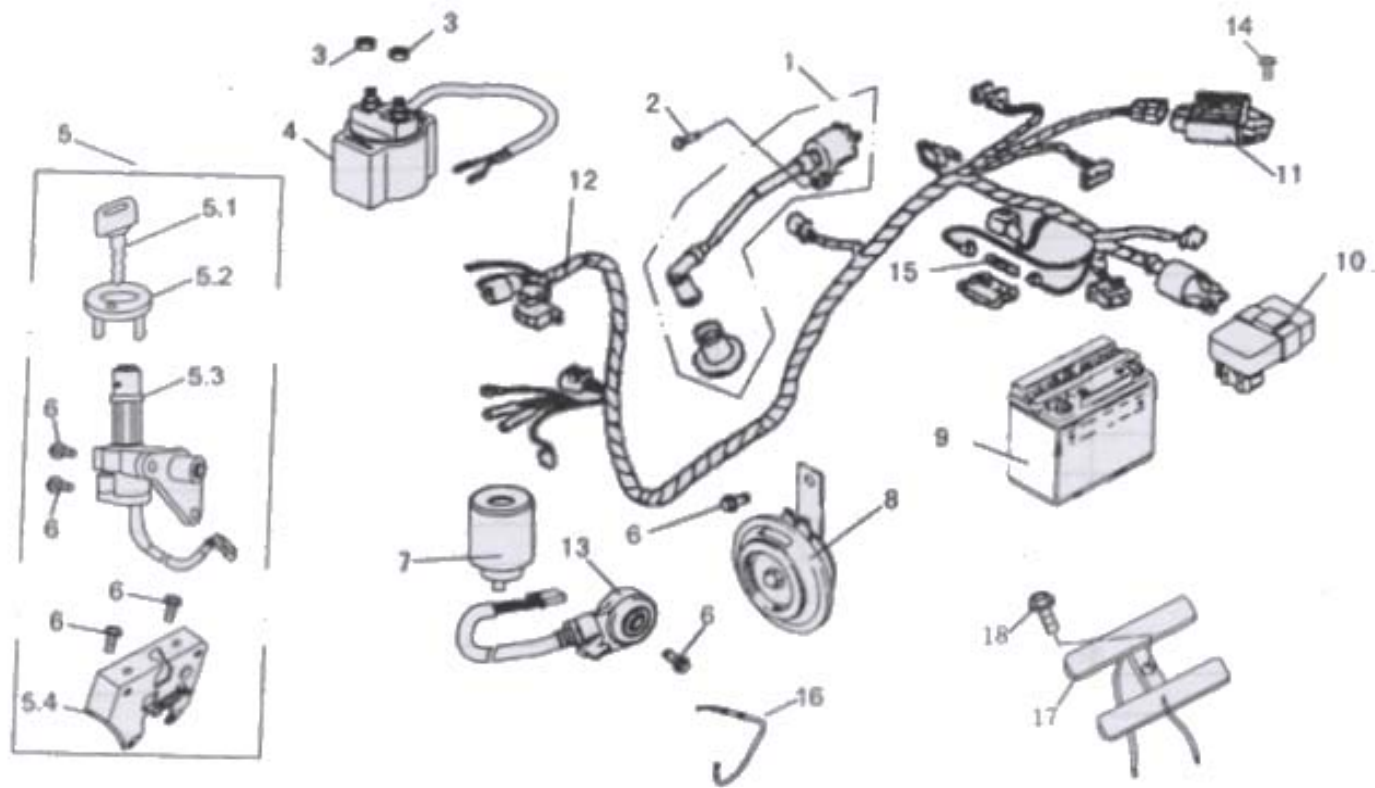




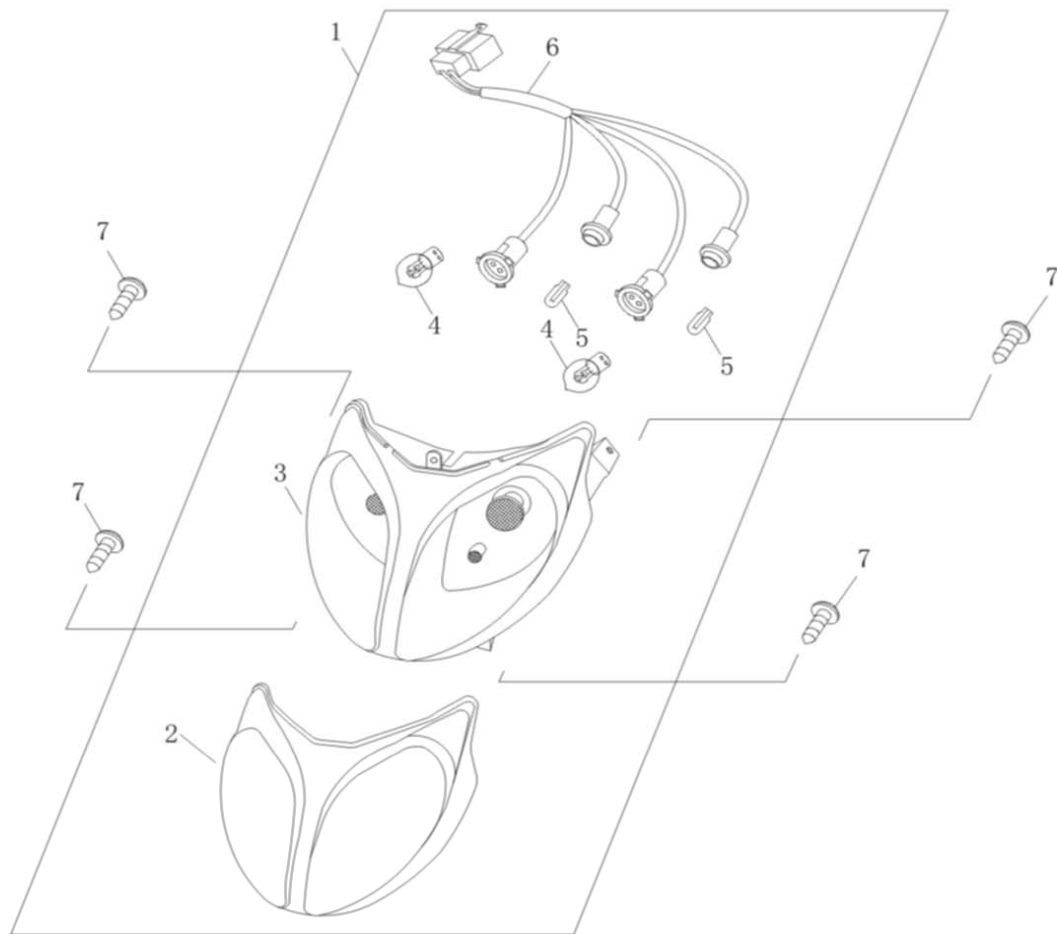
POS	QTY	PARTNUMBER	BESKRIVELSE	DESCRIPTION
1	1	408559	STØTTEBEN	MAIN STAND ASSY.- F20.1
2	1	408560	AKSEL	AXLE, MAIN STAND- F20.2
3	1	408561	GUMMISTOPPER	RUBBER, MAIN STAND- F20.3
4	2	408562	FJEDER	SPRING, MAIN STAND- F20.4
5	1	408563	SKIVE	WASHER ?8- F20.5
6	1	404028	PIN 1.5X24	COTTER PIN 1.5X24 - F21.4
7	1	408564	BOLT	BOLT, SIDE STAND- F20.7
8	1	408565	SIDE STØTTEBEN	SIDE STAND ASSY.- F20.8
9	1	408566	FJEDER	SPRING A, SIDE STAND- F20.9
10	1	408567	FJEDER	SPRING B, SIDE STAND- F20.10
11	1	90122180	FLANGEMØTRIK M8 LÅS	FLANGENUT M8 LOCK



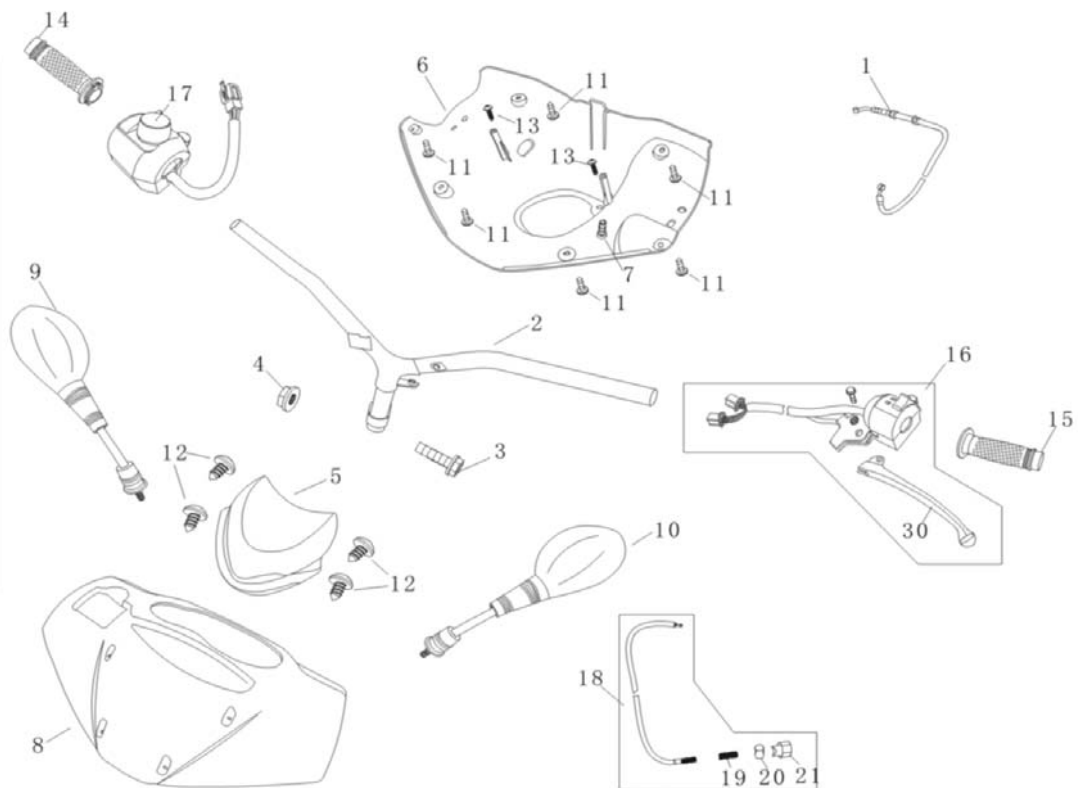
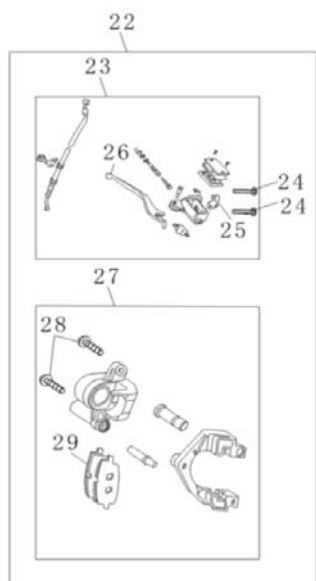
POS	QTY	PARTNUMBER	BESKRIVELSE	DESCRIPTION
1	1	408568	STØDDÆMPER BAG	REAR SHOCK ABSORBER-F21.1
2	2	90122199	FLANGEBOLT M10X40	FLANGEBOLT M10X40
3	2	90122153	FLANGEBOLT M8X35	FLANGEBOLT M8X35
4	2	90122180	FLANGEMØTRIK M8 LÅS	FLANGENUT M8 LOCK



POS	QTY	PARTNUMBER	BESKRIVELSE	DESCRIPTION
1	1	404037	TÆNDSPOLE KOMPLET	IGNITION COIL ASSY - F23.1
2	1	403806	BOLT M5X16	BOLT M5X16 - F1.11
3	2	404039	MØTRIK M6	NUT M6 - F23.3
4	1	409023	STARTRELÆ	START RELAY
5	1	408569	TÆNDINGSLÅS SÆT	LOCK ASSY.- F22.5
6	6	404051	BOLT M6X16	BOLT M6X16 - F23.14
7	1	404043	RELÆ BLINK	BUZZER FLASH RELAY - F23.7
8	1	404044	HORN	HORN - F23.8
9	1	409090	BATTERI 12V 7AH	BATTERY 12V 7AH
10	1	404047	C.D.I. 30KM/T	C.D.I. 30KM/T- F23.10
11	1	404048	REGULATOR	RECTIFIER ADJUSTER - F23.11
12	1	408570	LEDNINGSNET	WIRING ASSY.- F22.12
13	1	408571	KONTAKT VED STØTTBEN	OFF SWITCH ASSY- F22.13
14	1	290291	BOLT M6X12	BOLT M6X12
15	1	404052	GLASSIKRING 30AH	FUSE - F23.15
16	1	408572	KABEL SÆDELÅS	CABLE, SEAT LOCK- F22.16
17	2	408573	MODSTAND	RESISTANCE- F22.17
18	1	290291	BOLT M6X12	BOLT M6X12

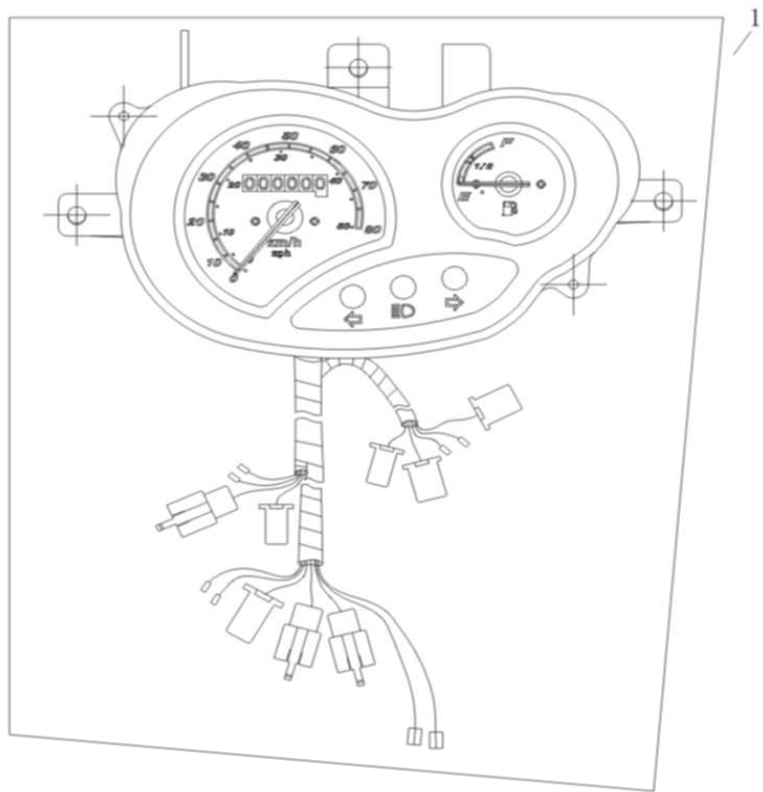


POS	QTY	PARTNUMBER	BESKRIVELSE	DESCRIPTION
1	1	408574	FORLYGTE KOMPLET	HEAD LIGHT ASSY- F23.1
4	1	401305	PÆRE 12V 35/35W NETTOPRIS	BULB 12V 35/35W NETPRICE
5	1	401306	PÆRE 12V 5W NETTOPRIS	BULB 12V 5W NETPRICE
7	4	296028	PLADESKRUE M4,2X13 SPIDS	SCREW M4,2X13

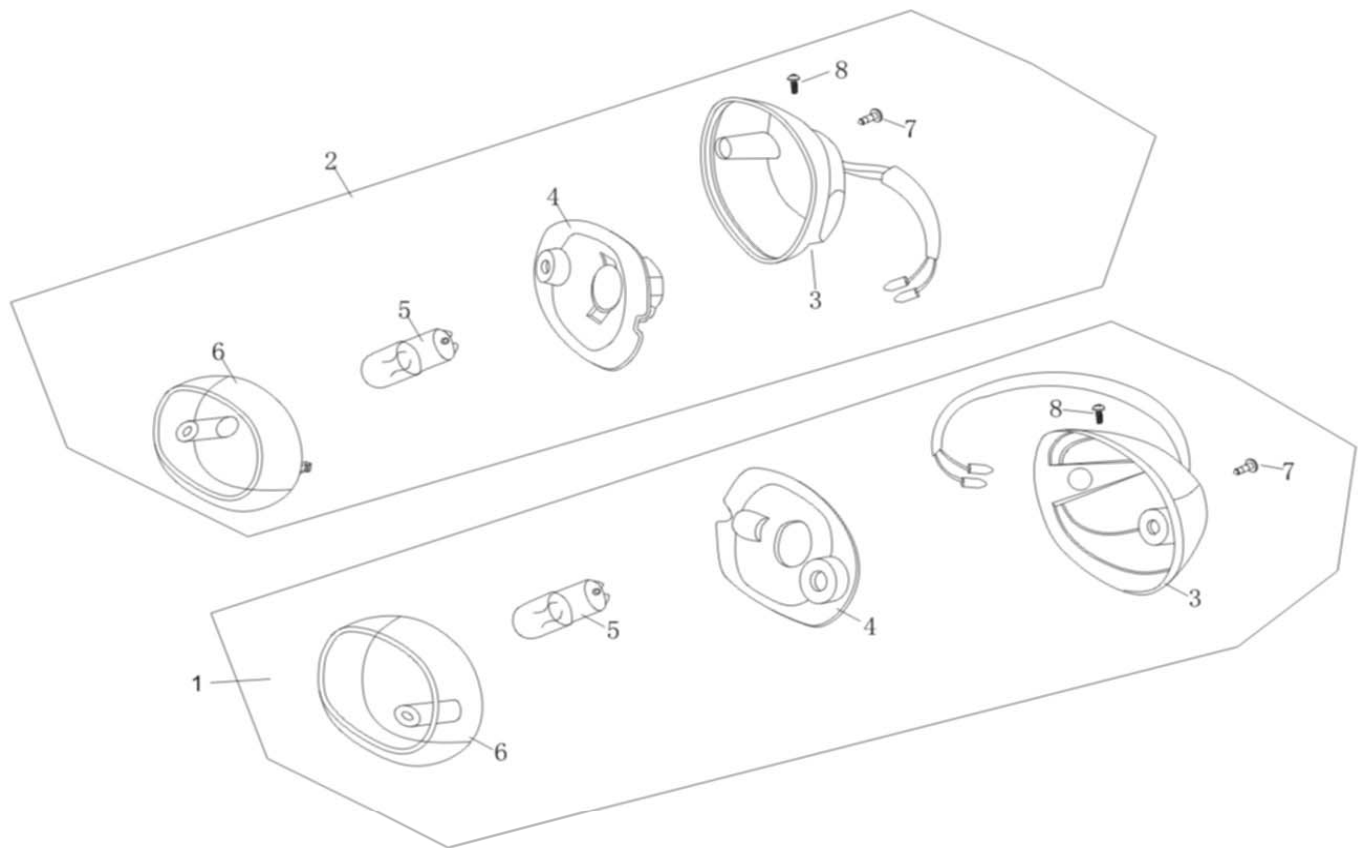




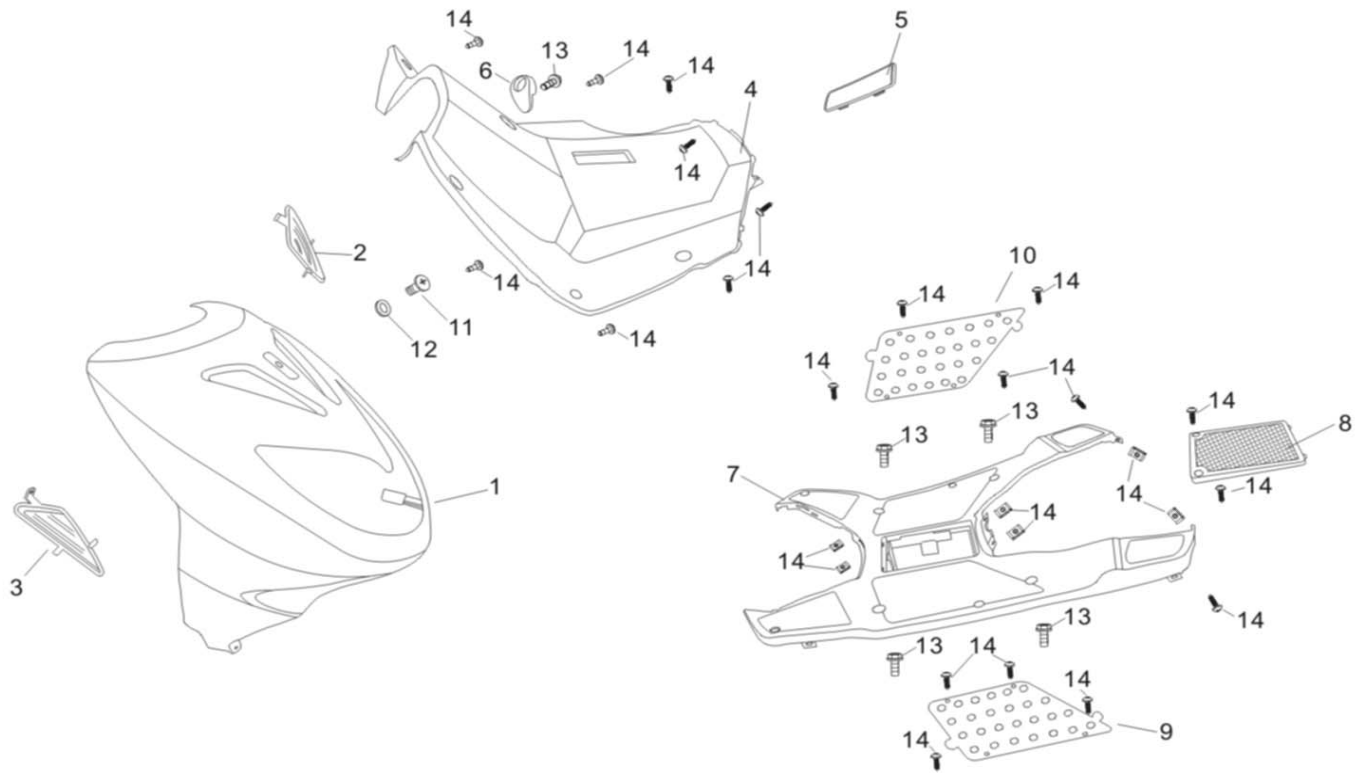
POS	QTY	PARTNUMBER	BESKRIVELSE	DESCRIPTION
1	1	408575	GASKABEL KOMPLET	THROTTLE LINK ASSY.- F24.1
2	1	408576	STYR	STEER F24.2
3	1	90122201	FLANGEBOLT M10X50	FLANGEBOLT M10X50
4	1	90122198	FLANGEMØTRIK M10 LÅS	FLANGELUCK NUT M10
5	1	408577	VINDSPEJL	WINDSHIELD- F24.5
6	1	408578	PANEL UNDER STYR	LOWER PART- F24.6
7	1	404165	BOLT M5X12	BOLT M5X12 - F32.6
8	1	408579	PANEL OVER STYR	FRONT PART, HEAD COVER- F24.8
9+10	1	408525	SIDESPEJLE KOMPLET	SIDE MIRROR-F24.9
11	6	296028	PLADESKRUE M4,2X13 SPIDS	SCREW M4,2X13
12	4	296028	PLADESKRUE M4,2X13 SPIDS	SCREW M4,2X13
13	2	296029	PLADESKRUE M4,2X16 SPIDS	SCREW M4,2X16
14	1	408580	HÅNDTAG HØJRE	RIGHT GRIP ASSY- F24.14
15	1	408581	HÅNDTAG VENSTRE	LEFT GRIP ASSY.- F24.15
16	1	408582	KONTAKTKONSOL VENSTRE	L. HANDLE SWITCH ASSY.- F24.16
17	1	408583	KONTAKTKONSOL HØJRE	R. HANDLE SWITCH ASSY.- F24.17
18	1	408584	BREMSEKABEL BAG	REAR BRAKE LINK ASSY.- F24.18
23	1	408585	BREMSECYLINDER	MASTER CYLINDER ASSY.- F24.23
26	1	408586	HÅNDTAG, BREMSE HØJRE	FRONT BRAKE LEVER F24.24
27	1	408587	BREMSEKALIBER	CALIBER FRONT-F24.27
29	1	408588	BREMSEKLODSE FOR	BRAKE SHOE ASSY. (FR.)- F24.29
30	1	408586	HÅNDTAG, BREMSE HØJRE	FRONT BRAKE LEVER F24.24



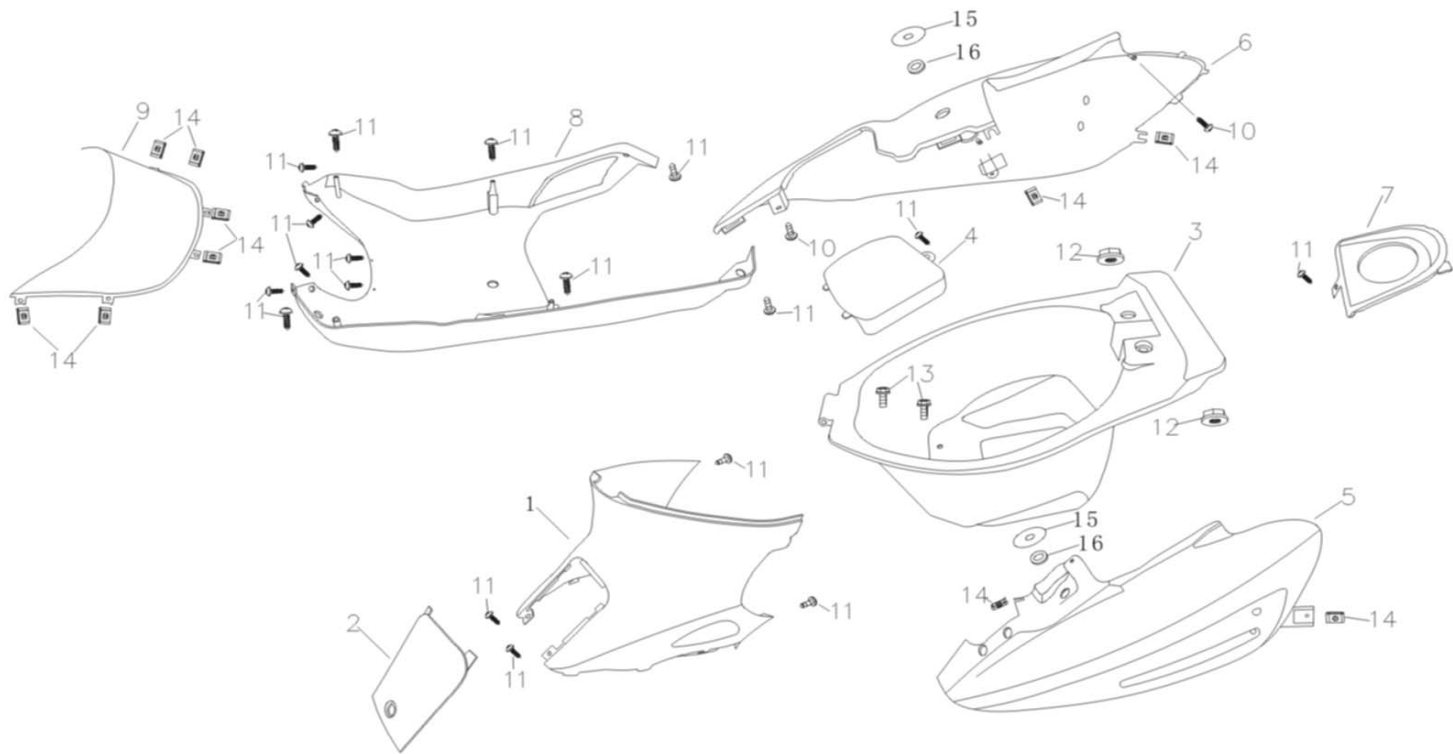
POS	QTY	PARTNUMBER	BESKRIVELSE	DESCRIPTION
1	1	408589	INSTRUMENTPANEL	METER ASSY.- F25.1
2	1	408590	SPEEDOMETERKABEL	SPEEDOMETERCABLE-F25.2
3	5	401306	PÆRE 12V 5W NETTOPRIS	BULB 12V 5W NETPRICE



<b>POS</b>	<b>QTY</b>	<b>PARTNUMBER</b>	<b>BESKRIVELSE</b>	<b>DESCRIPTION</b>
1	1	408591	BLINKLYS FOR VENSTRE	FRONT TURNING LIGHT ASSY. (L)- F26.1
2	1	408592	BLINKLYS FOR HØJRE	FRONT TURNING LIGHT ASSY. (R)- F26.2
5	2	700529	PÆRE 12V 10W	BULB 12V 10W

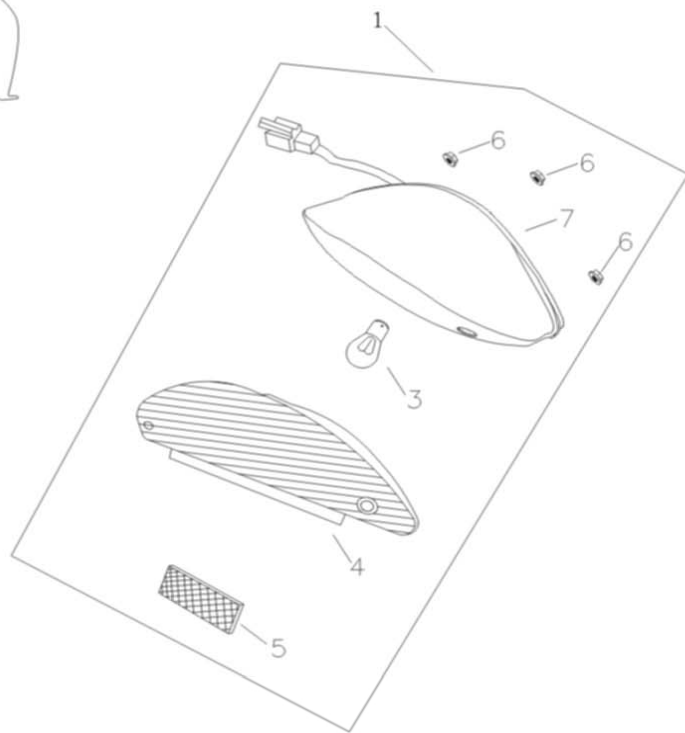
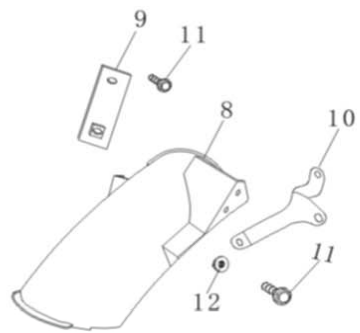
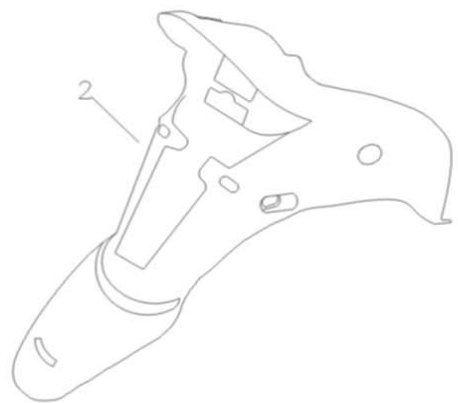


POS	QTY	PARTNUMBER	BESKRIVELSE	DESCRIPTION
1	1	408593	PANEL FOR	FRONT COVER - F27.1
2	1	408594	PYNTEDÆKSEL V	DECORATIVE COVER-F27.2
3	1	408595	PYNTEDÆKSEL H	DECORATIVE COVER-F27.3
4	1	408596	PANEL	FR. LUGGAGE BOX ASSY.- F27.4
5	1	408597	PLADE FOR STELNUMMER	PLATE-F27.5
6	1	408598	KROG FOR	HOOK, HELMET- F27.6
7	1	408599	BUNDPLADE	PEDAL- F27.7
8	1	408600	LÅG	BATTERY BOX COVER- F27.8
9	1	408601	TRIN HØJRE	PEDAL ASSY.(L)- F27.9
10	1	408602	TRIN HØJRE	PEDAL ASSY.(R)- F27.10
11	1	404098	BOLT M6X14	BOLT M6X14 - F29.2
12	1	408603	PAKNING	RUBBER WASHER- F27.12
13	5	290291	BOLT M6X12	BOLT M6X12
14	20	296029	PLADESKRUE M4,2X16 SPIDS	SCREW M4,2X16
15	6	404118	KLIPS	CLIP (4.2) - F29.20

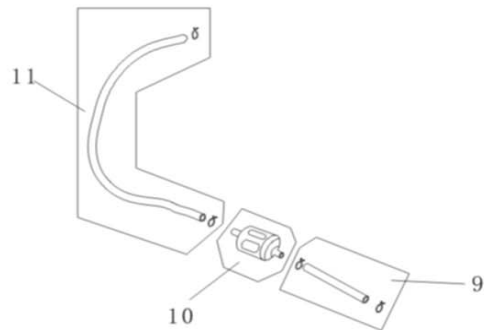
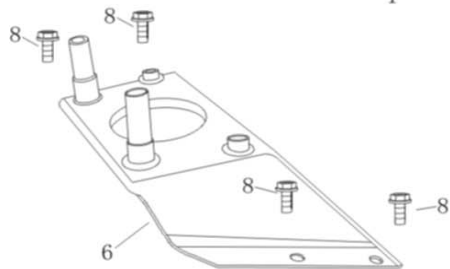
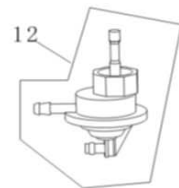
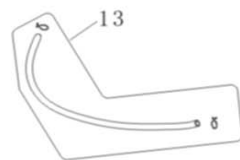
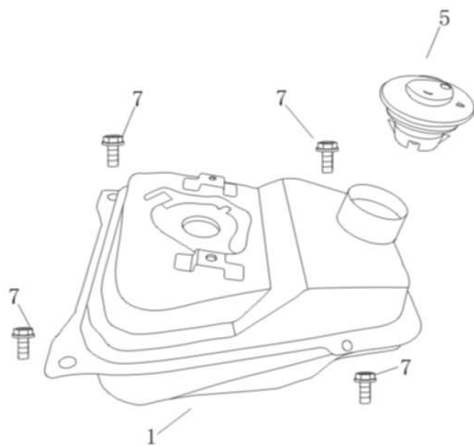
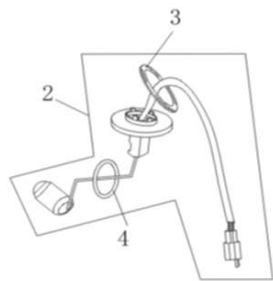




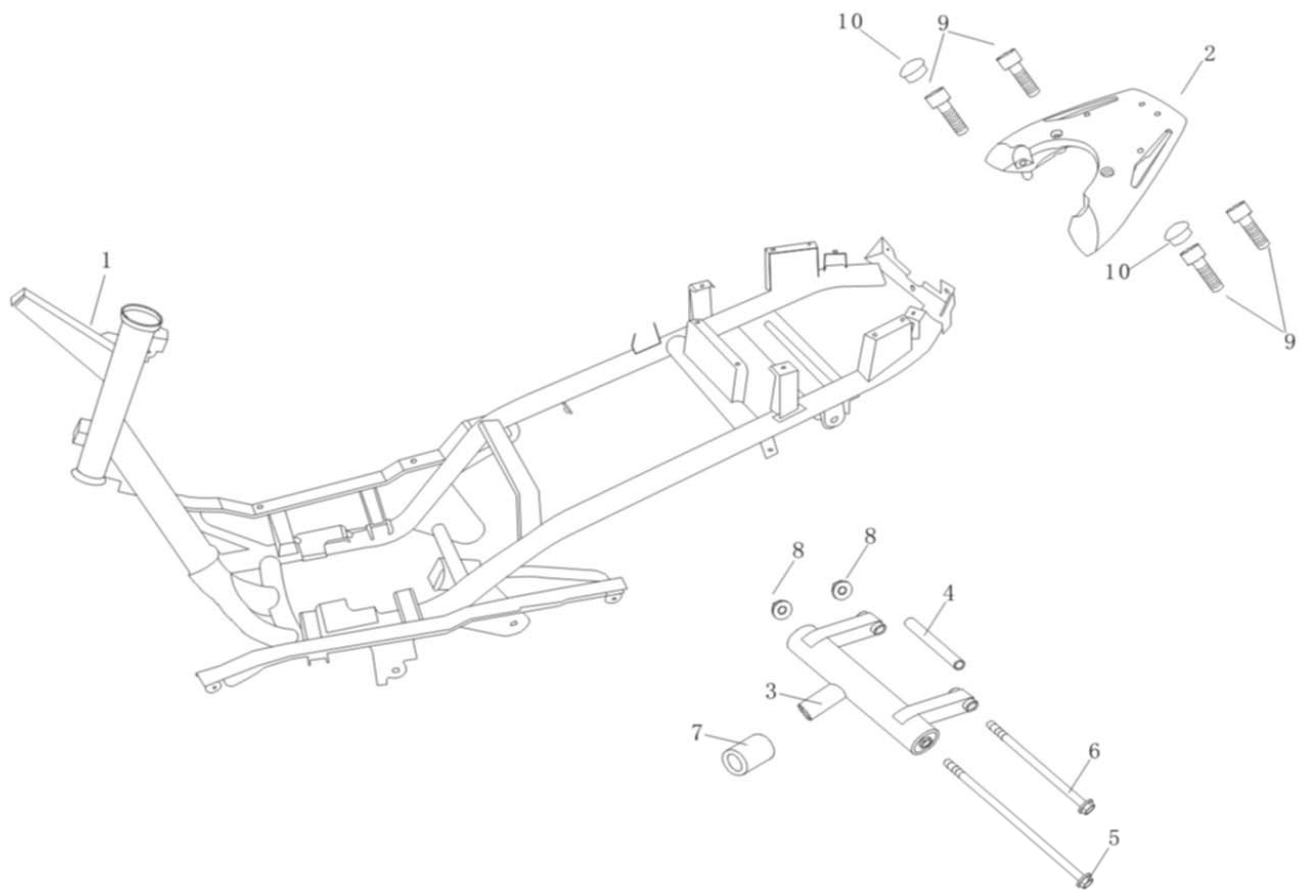
POS	QTY	PARTNUMBER	BESKRIVELSE	DESCRIPTION
1	1	408604	PANEL UNDER SÆDE FOR	PANEL
2	1	408030	PANEL FOR SÆDEBRØND	PANEL
3	1	408605	SÆDEBRØND	SEAT WELL
4	1	408606	DÆKSEL FOR MOTOR	LID
5	1	408607	PANEL BAG VENSTRE	PANEL
6	1	421037	PANEL BAG HØJRE	PANEL
7	1	408608	PANEL VED TANK	PANEL
8	1	408609	BUNDPLADE	BOTTOM PLATE
9	1	408610	PANEL FOR	PANEL
10	2	296028	PLADESKRUE MED SPIDS M4.2X13	PLATE SCREW M4.2X13
11	18	296029	PLADESKRUE MED SPIDS M4.2X16	PLATE SCREW M4.2X16
12	2	90100572	TOPMØTRIK 8.8 M6 FZ	CAP NUT M6 FZ
13	2	403817	FLANGEBOLT 8.8 M6X16 FZ	COLLAR BOLT M6X16 FZ
14	10	404118	KLIPS	ADAPTER
15	2	408611	SKIVE	WASHER
16	2	408603	PAKNING	GASKET



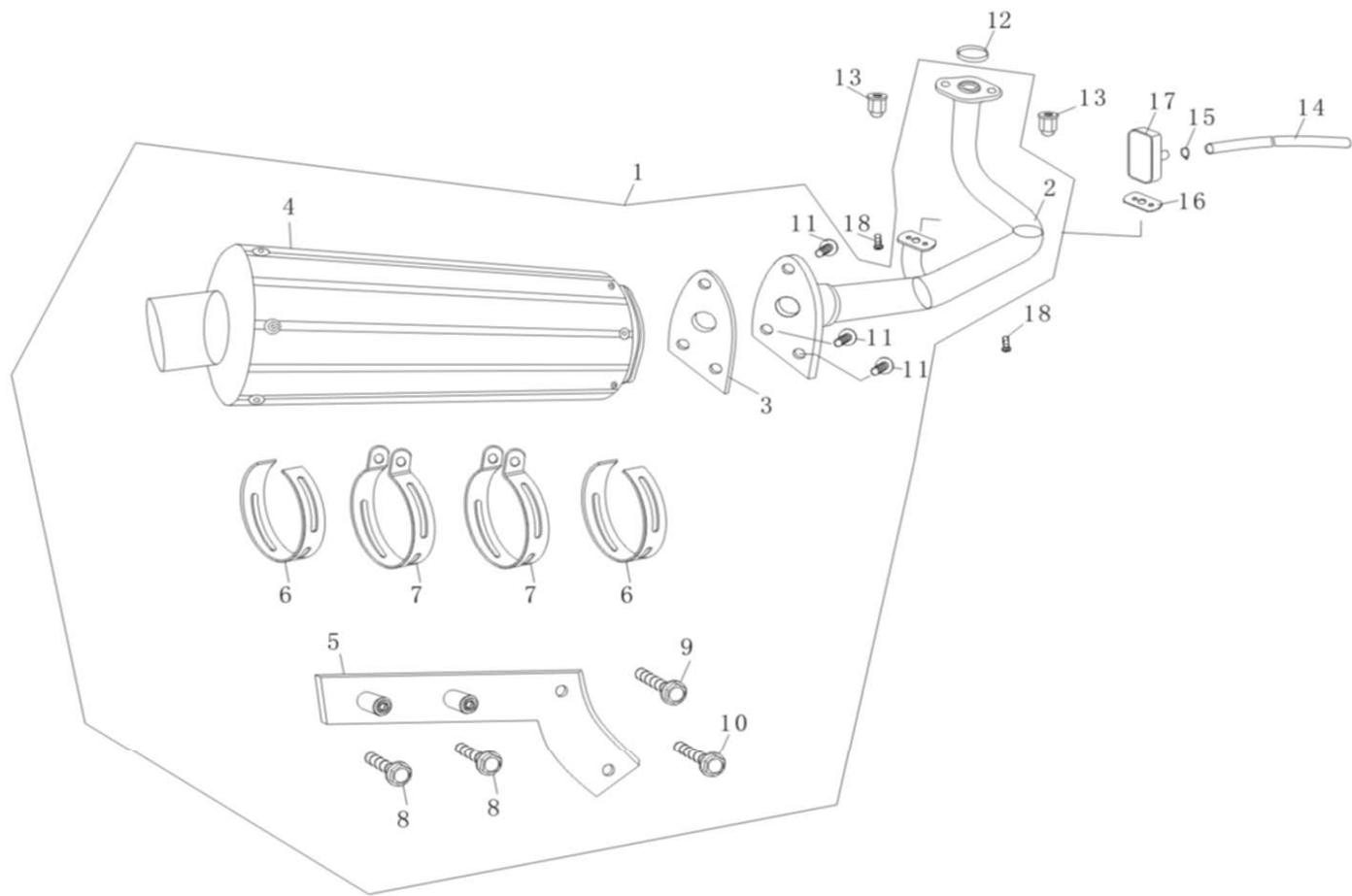
POS	QTY	PARTNUMBER	BESKRIVELSE	DESCRIPTION
1	1	408612	BAGLYGTE	TAIL LIGHT ASSY.- F29.1
2	1	408512	BAGSKÆRM	REAR FENDER
3	1	408613	PÆRE BAGLYGTE	BULB, TAILLIGHT- F29.3
8	1	408614	INNERSKÆRM	SMALL FENDER- F29.8
9	1	408615	BESLAG	BRACKET-F29.9
10	1	408616	BESLAG	BRACKET-F29.10
11	2	404121	FLANGEBOLT M6X12	FLANGEBOLT M6X12 - F30.3
12	1	90100661	STÅLMØTRIK M6	NUT M6



POS	QTY	PARTNUMBER	BESKRIVELSE	DESCRIPTION
1	1	408617	BRÆNDSTOFTANK	FUELTANK-F30.1
2	1	408618	BRÆNDSTOFMÅLER	FUELMETER-F30.2
6	1	408619	BESLAG	TAILBRACKET ASSY-F30.6
7	4	404194	BOLT M6X12	BOLT M6X12 - F34.4
8	4	403942	BOLT M8X12	BOLT M8X12 - F15.21
9	1	404202	BENZINSLANGE B	FUEL TUBE B - F34.12
10	1	401123	BENZINFILTER	FUELFILTER
11	1	404197	BENZINSLANGE	FUEL TUBE A - F34.7
12	1	404196	BENZINHANE	FUELVALVE - F34.6
13	1	404198	VAKUMSKLANGE	TUBE VACUUM - F34.8

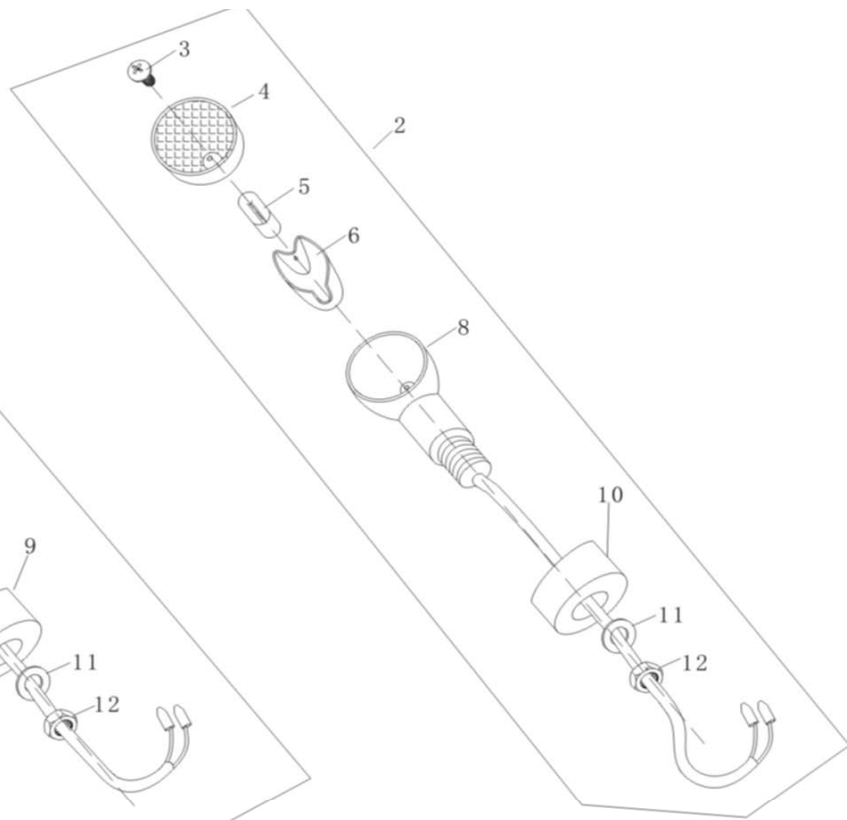
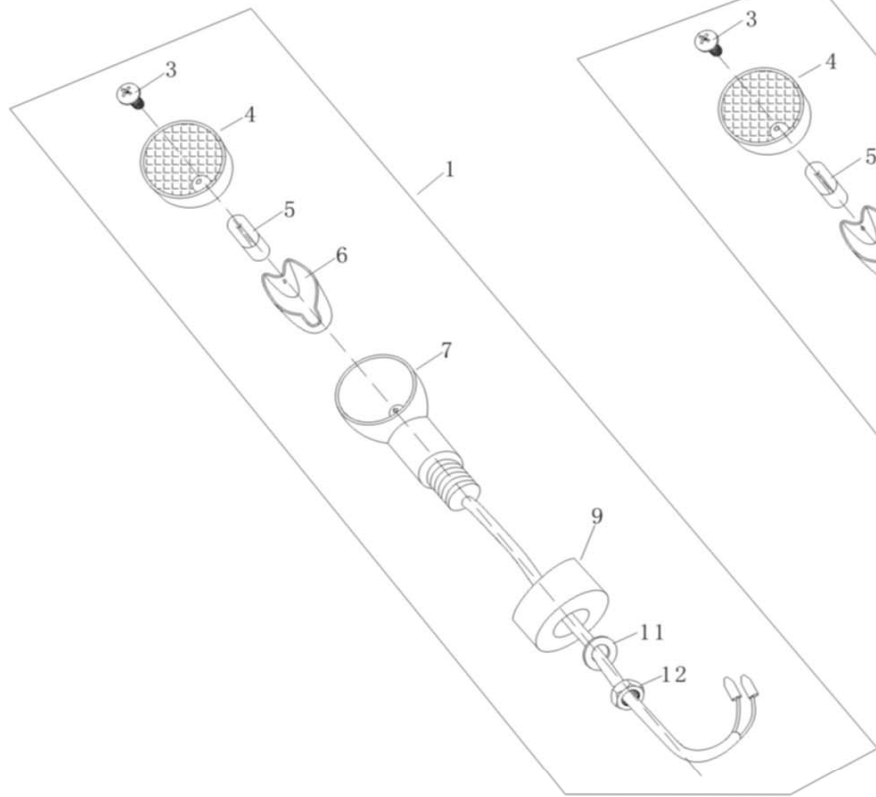


POS	QTY	PARTNUMBER	BESKRIVELSE	DESCRIPTION
1	1	408620	CHASSIS	CHASSIS-F31.1
2	1	408621	STØTTE	BRACKET, CARRIER- F31.2
3	1	408622	SVINGARM	SVINGARM-F31.3
4	1	408623	BØS	MIDDLE BUSH- F31.4
5	1	408624	AKSEL	SHAFT-F31.5
6	1	408625	AKSEL	SHAFT-F31.6
7	1	408626	GUMMIDÆMPER	DAMPER-F31.7
8	2	404211	MØTRIK M10X1.25	NUT M10X1.25 - F35.9
9	4	90100213	INSEX M8X30 CYL	INSEX M8X30 CYL FZB
10	2	408627	HÆTTE	CAP, CARRIER- F31.10

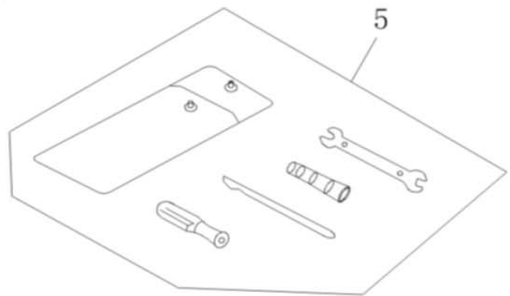
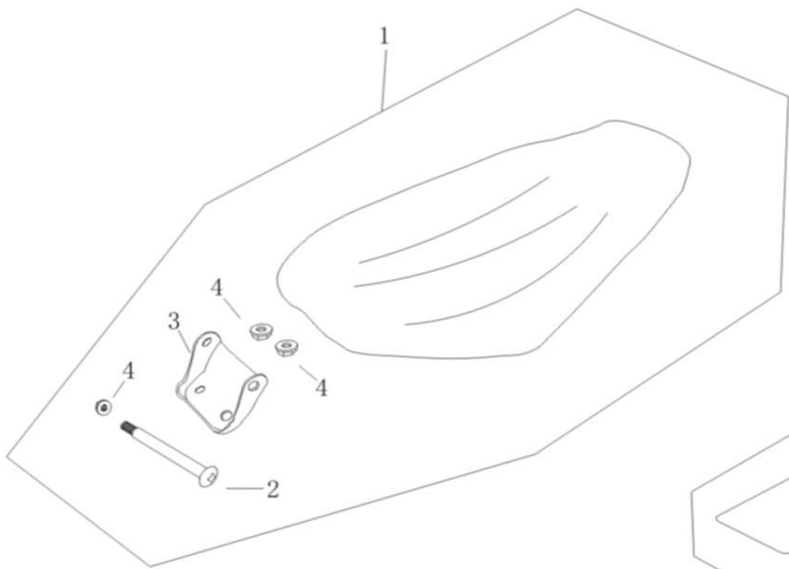




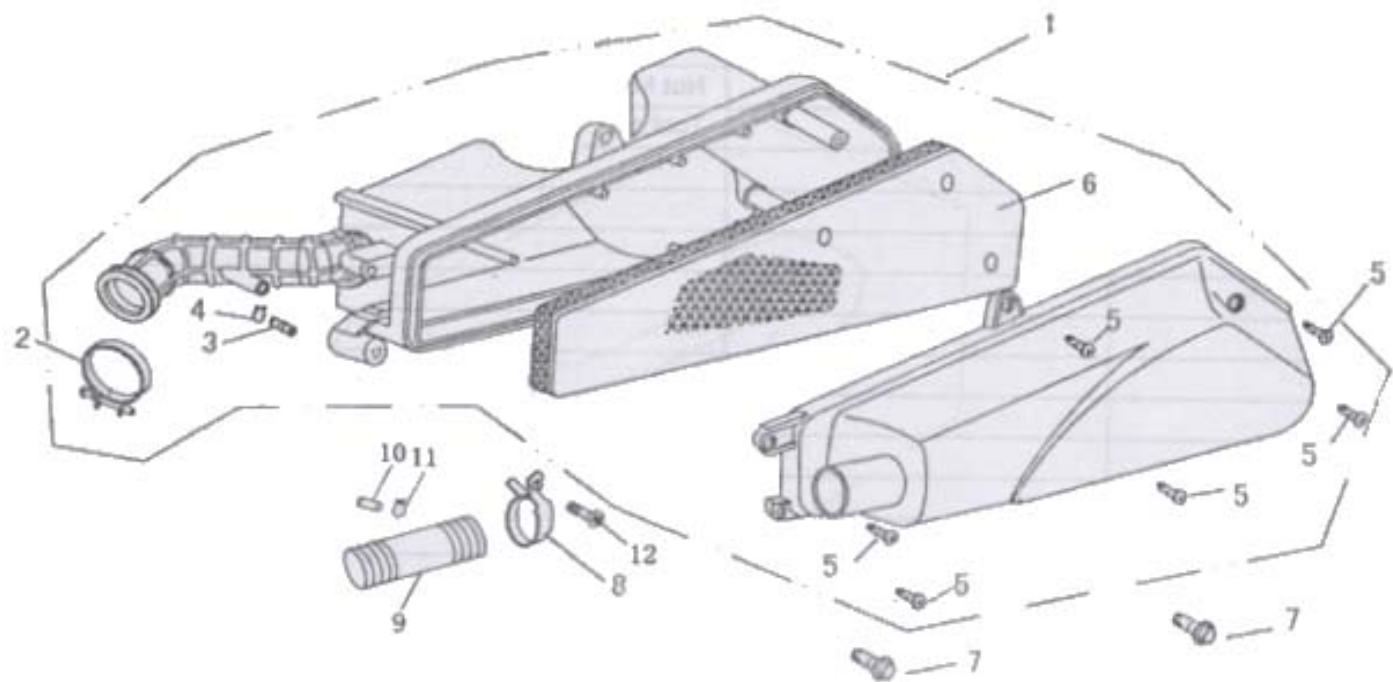
POS	QTY	PARTNUMBER	BESKRIVELSE	DESCRIPTION
1	1	408628	UDSTØDNING KOMPLET	MUFFLER-F32.1
2	1	408629	FORRØR	FRONT PIPE MUFFLER-F32.2
3	1	408630	PAKNING	PAPER GASKET- F32.3
4	1	408631	UDSTØDNING	MUFFLER BODY-F32.4
5	1	408632	BESLAG	FIXING BOARD- F32.5
6	2	408633	SPÆNDEBÅND	FIXING RUBBER- F32.6
7	2	408634	SPÆNDEBÅND	FIXING CLIP- F32.7
8	2	90122152	FLANGEBOLT 8.8 M8X30 FZ	FLANGEBOLT M8X30
9	1	90122153	FLANGEBOLT 8.8 M6X35 FZ	FLANGEBOLT M8X35
10	1	90122150	FLANGEBOLT 8.8 M8X20 FZ	FLANGEBOLT 8X16MM
11	3	90122150	FLANGEBOLT 8.8 M8X20 FZ	FLANGEBOLT 8X16MM
12	1	408635	PAKNING	GASKET- F32.12
13	2	90100572	TOPMØTRIK 8.8 M6 FZ	TOPNUT M6
14+15	1	404223	SLANGE MED KLEMME	TUBU WITH CLAMP - F36.3-4
16	1	408636	PAKNING	GASKET- F32.16
17	1	408637	VENTIL	CONTROL VALVE- F32.17
18	2	290291	FLANGEBOLT GUL M6X12	BOLT M6X12



POS	QTY	PARTNUMBER	BESKRIVELSE	DESCRIPTION
1	1	408638	BLINKLYS BAG H	REAR TURNING LIGHT (L)- F33.1
2	1	408639	BLINKLYS BAG V	REAR TURNING LIGHT (R)- F33.2
5	2	408640	PÆRE BLINK BAG	TURNING LIGHT BULB- F33.5



<b>POS</b>	<b>QTY</b>	<b>PARTNUMBER</b>	<b>BESKRIVELSE</b>	<b>DESCRIPTION</b>
1	1	408641	SÆDE MED BESLAG	SEAT ASSY.- F34.1
5	1	408642	VÆRKTØJSSÆT	TOOL SET- F34.5



POS	QTY	PARTNUMBER	BESKRIVELSE	DESCRIPTION
1	1	409022	LUFTFILTER	AIRFILTER ASSY
2	1	404181	SPÆNDEBÅND	CLIP, TUBE - F33.2
3	1	404182	RØR	TUBE - F33.3
4	1	404183	KLIPS	CLIP, TUBE (A) - F33.4
5	6	404184	SKRUE ST4.8X19	SCREW ST4.8X19 - F33.5
6	1	404185	LUFTFILTER ELEMENT	AIR FILER FOAM - F33.6
7	2	404186	BOLT M6X30	BOLT M6X30 - F33.7
8	1	404187	SPÆNDEBÅND	CLIP, TUBE - F33.8
9	1	408643	RØR MED VENTIL	INLET TUBE- F35.9
10	1	408644	RØR	CONNECTOR, TUBE- F35.10
11	1	404183	KLIPS	CLIP, TUBE (A) - F33.4
12	1	403140	BOLT M5X20	BOLT M5X20