

FIG 1

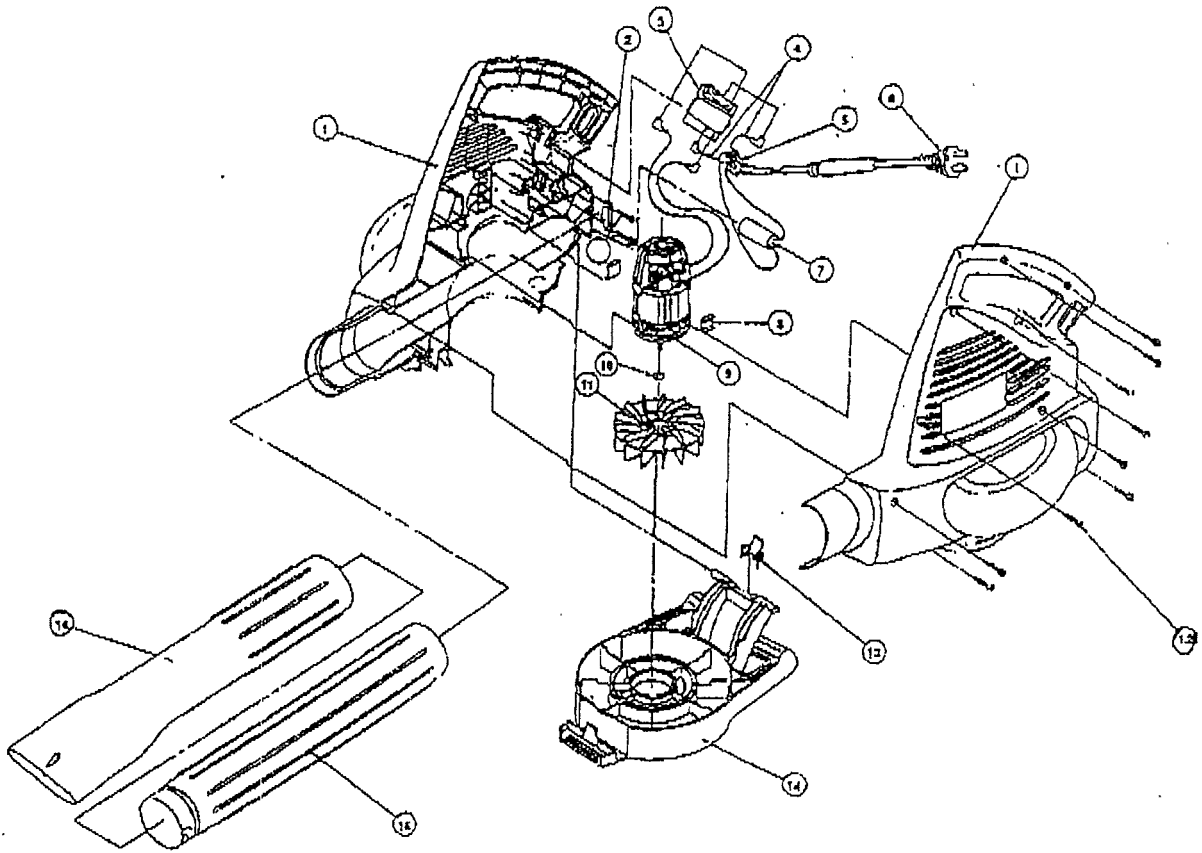
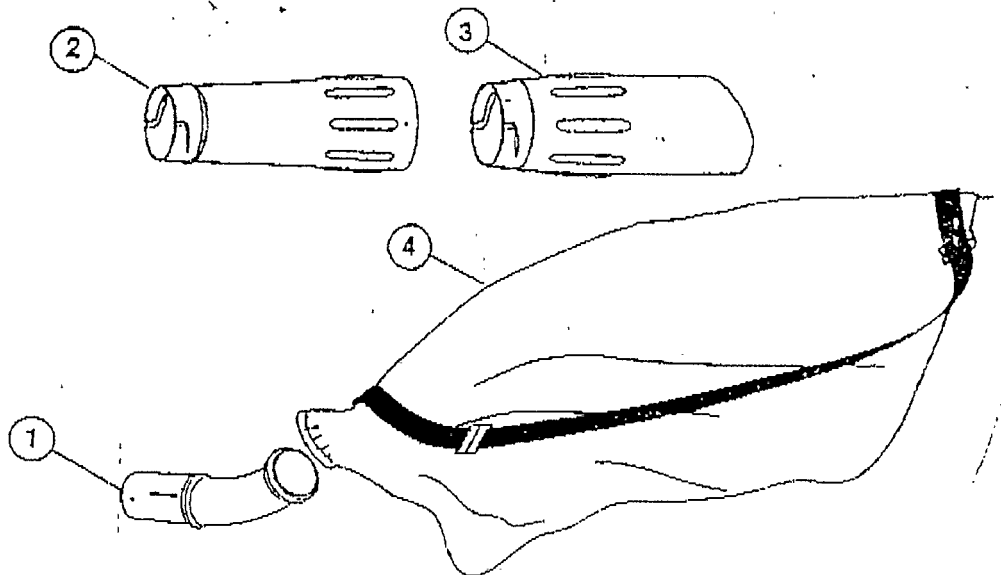


FIG 2



POS	QTY	PARTNUMBER	BESKRIVELSE	DESCRIPTION
1/3	1	77160415	KONTAKT	SWITCH
1/5	1	77180305	TERMINAL	TERMINAL
2/4	1	77180464	OPSAMLEPOSE	COLLECTORBAG