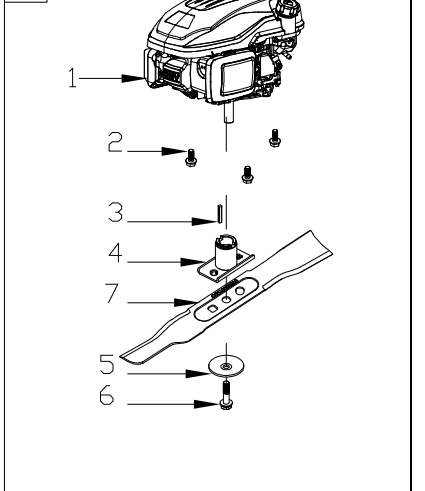
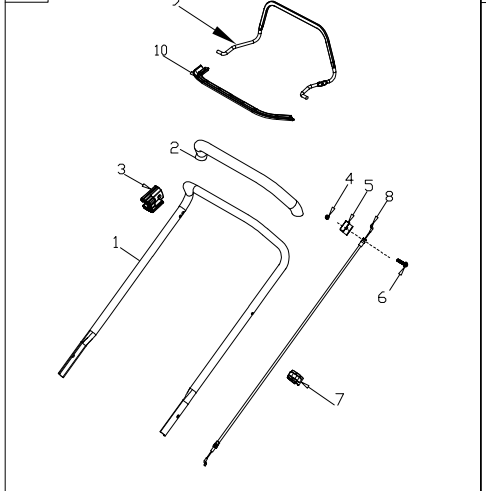
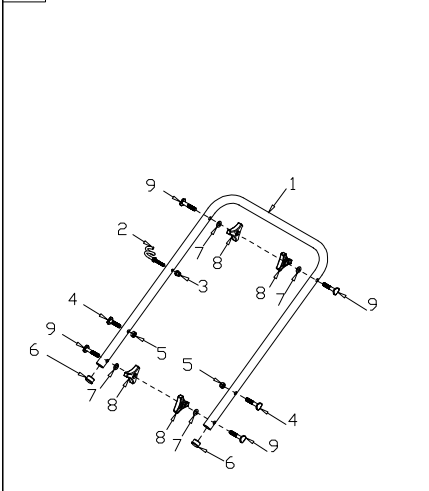


AB1

AA1

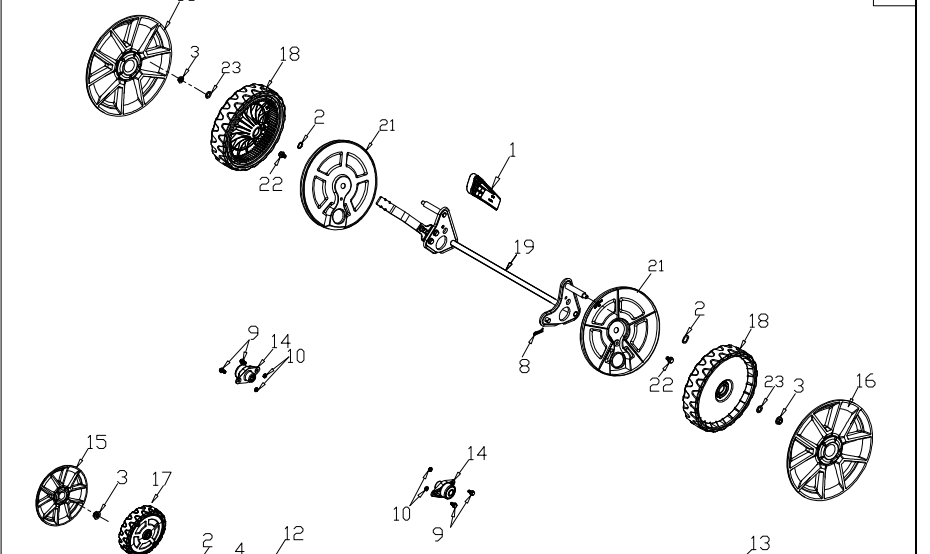
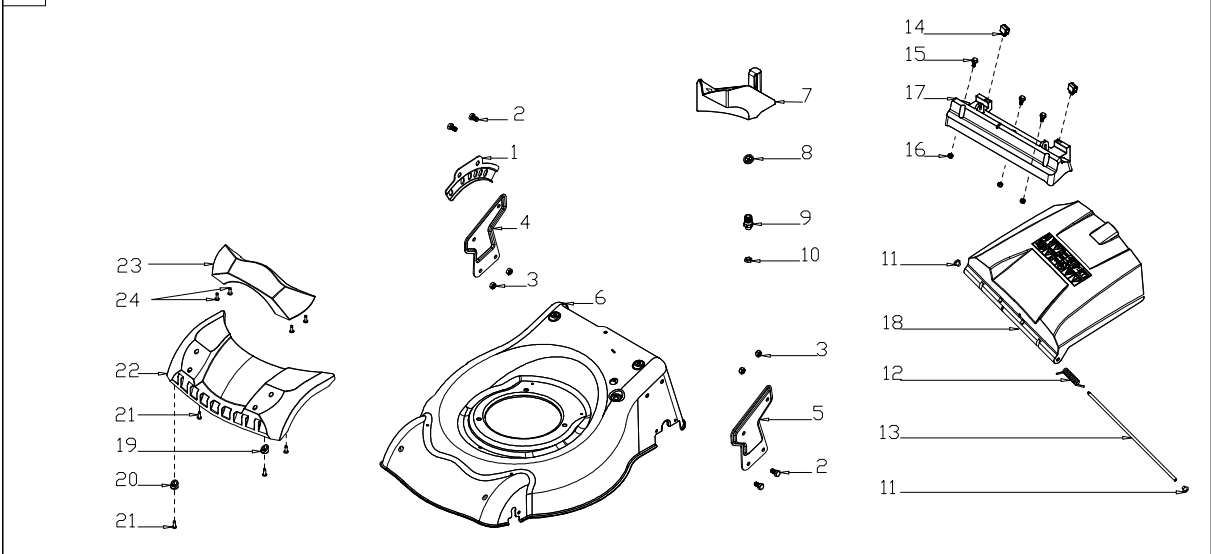
B

C

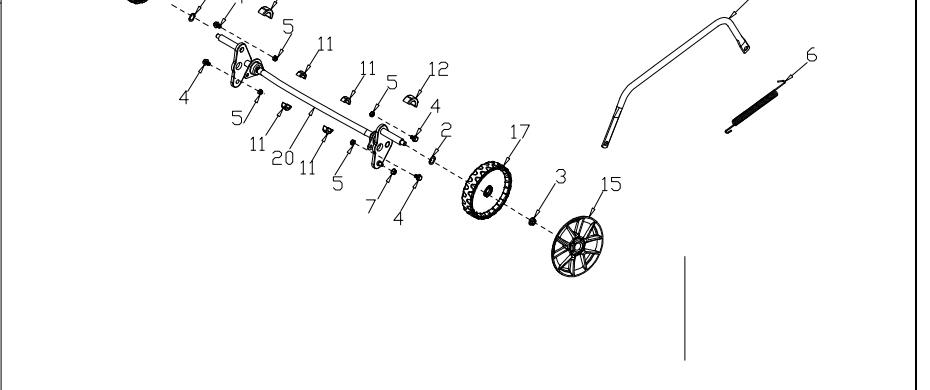
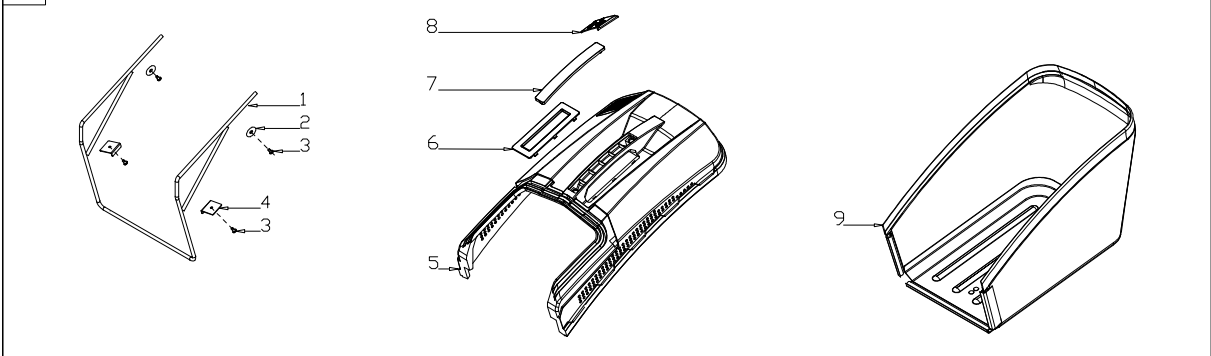


D

E



F



POS	QTY	PARTNUMBER	BESKRIVELSE	DESCRIPTION
AA-1	1	428855	STYR ØVERST UDEN SOFTGRIP	HANDELBAR
AA-2	1	419232	SOFTGRIP	HANDLE
AA-3	1	428853	BESLAG MED STOP FOR BØJLER	BRACKET
AA-4	1	419337	LÅSEMØTRIK M6	LOCKING NUT M6
AA-5	1	428856	KABELHOLDER	CABLE HOLDER
AA-6	1	421778	BOLT M6X32	BOLT M6X32
AA-7	1	428883	KABELHOLDER/CLIPS PLAST	CABLE HOLDER
AA-8	1	443442	STOPKABEL	BRAKE CABLE
AA-9	1	448021	BØJLE FOR STOP	BRAKE LEVER
AA-10	1	419334	PLASTHÅNDTAG FOR BØJLE FOR STOP	PLASTIC HANDLE
AB1-1	1	428859	STYRRØR NEDRE	HANDELBAR
AB1-2	1	419237	HOLDER FOR STARTSNOR	HOLDER
AB1-3	1	419337	LÅSEMØTRIK M6	LOCKING NUT M6
AB1-4	2	419245	BOLT M8X35	BOLT M8X35
AB1-5	2	419246	MØTRIK M8	NUT M8
AB1-6	2	419247	PROP	PLUG
AB1-7	4	419242	SKIVE 8.5X16X1.54	WASHER 8.5X16X1.54
AB1-8	4	439369	FINGERSKRUE MØRK SØLV	KNOB
AB1-9	4	427152	BRÆDDEBOLT M8X50	BOLT M8X50
C-1	1	TG480	TG480	TG480
C-2	3	419284	BOLT M8X25	BOLT M8X25
C-3	1	419289	NOT	NOT
C-4	1	435703	KNIVHOLDER	BLADE ADAPTER
C-5	1	419292	SKIVE FOR KNIV	WASHER
C-6	1	419293	STÅLBOLT FOR KNIVHOLDER 3/8-24UNFX35	STEEL BOLT
C-7	1	421764	KNIV 46CM	BLADE 18"
C-8	1	448082	MOTORDÆKSEL NEDRE	ENGINE COVER
C-9	1	448083	MOTORDÆKSEL ØVRE	ENGINE COVER
C-10	3	435711	BOLT	SCREW
C-11	1	419403	FILTER	FILTER
C-12	1	419404	KLEMME	CLAMP
D-1	1	421769	HØJDEJUSTERING PLADE	HEIGHT ADJUSTMENT
D-2	4	419276	BOLT M8X15	BOLT M8X15
D-3	4	439963	MØTRIK	NUT
D-4	1	443444	BESLAG HØJRE	RIGHT BRACKET
D-5	1	443446	BESLAG VENSTRE	LEFT BRACKET
D-6	1	452677	KLIPPESKJOLD	DECK
D-7	1	449623	BIOPLUG	MULCHING PLUG
D-8	1	421761	KRAVE	SLEEVE
D-9	1	419280	VASKESTUDS PLASTIK	NOZZLE PIPE
D-10	1	427158	MØTRIK PLASTIK M12X1,25	NUT
D-11	2	421741	HÆTTE	HOOD
D-12	1	419302	FJEDER	SPRING
D-13	1	419301	AKSEL	SHAFT
D-14	2	419271	BESLAG FOR BAGSKÆRM	BRACKET
D-15	3	419270	BOLT M6X14	BOLT M6X14
D-16	3	419273	MØTRIK M6	NUT M6

POS	QTY	PARTNUMBER	BESKRIVELSE	DESCRIPTION
D-17	1	449624	HOLDER	REAR COVER PEDESTAL
D-18	1	439426	UDKASTERKLAP	REAR COVER
D-19	1	421777	SKIVE VENSTRE	WASHER VENSTRE
D-20	1	421776	SKIVE HØJRE	WASHER HØJRE
D-21	4	439373	SKRUE	SCREW
D-22	1	439428	FORSKÆRM UNDERDEL	FRONT FACE
D-23	1	439427	FORSKÆRM ØVRE DEL	FRONT HANDLE
D-24	4	428877	SKRUE ST4,2X15	SCREW ST4,2X15
E-1	1	433238	HØJDEJUSTERINGSHÅNDDA G	HEIGHT ADJUSTMENT HANDLE
E-2	4	419251	FJEDERSKIVE	SPRING COLLAR
E-3	4	419256	MØTRIK M8	NUT M8
E-4	4	419350	STÅLBOLT M6X12	STEEL BOLT M6X12
E-5	4	419273	MØTRIK M6	NUT M6
E-6	1	427159	FJEDER TIL HØJDEJUSTERING	SPRING
E-7	1	419295	MØTRIK M6	NUT M6
E-8	1	419258	PIN	PIN
E-9	4	421982	BOLT M5X12	BOLT M5X12
E-10	4	419263	MØTRIK M5	NUT M5
E-11	4	432580	GLIDEBØS FOR FORAKSEL	SHAFT SLEEVE
E-12	2	440221	AFSTANDBØS	SHAFT SLEEVE
E-13	1	421762	FORBINDER SORT	CONNECTOR SORT
E-14	2	435704	KRAVE	SHAFT SLEEVE
E-15	2	465073	NAVKAPSEL 7"	J TYPE WHEEL COVER
E-16	2	465071	NAVKAPSEL 10"	J TYPE WHEEL COVER
E-17	2	421767	HJUL, PLAST M/LEJE 7"	WHEEL 170X50X12
E-18	2	452674	HJUL 10"	WHEEL
E-19	1	421754	BAGAKSEL	SHAFT
E-20	1	432579	FORAKSEL	FRONT WHEEL SHAFT
E-21	2	421755	STØVDÆKSEL 10"	DUST CAP 10"
E-22	2	419350	STÅLBOLT M6X12	STEEL BOLT M6X12
E-23	2	419255	SKIVE 13.2X24.3	WASHER 13.2X24.3
F-1	1	435520	BØJLE	METAL BRACKET
F-2	2	419335	SKIVE 5X32X1,2	WASHER 5X32X1,2
F-3	4	419288	SKRUE ST4,8X12	SCREW ST4,8X12
F-4	2	435522	BESLAG	FIXED PLATE
F-5	1	439430	OPSAMLER TOP	PLASTIC COVER
F-6	1	419312	PLADE UNDER HÅNDTAG PLAST	PLATE
F-7	1	435524	COVER	HAND COVER
F-8	1	435525	INDIKATOR FOR FYLDE OPSAMLER	INDICATED BOARD
F-9	1	449014	OPSAMLERPOSE	FABRIC BAG