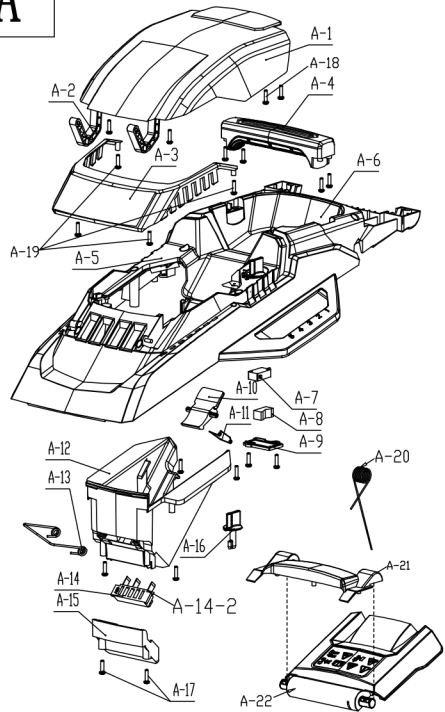
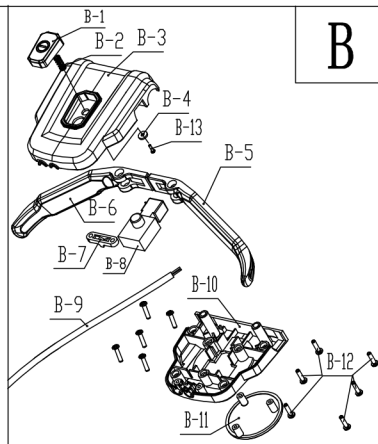
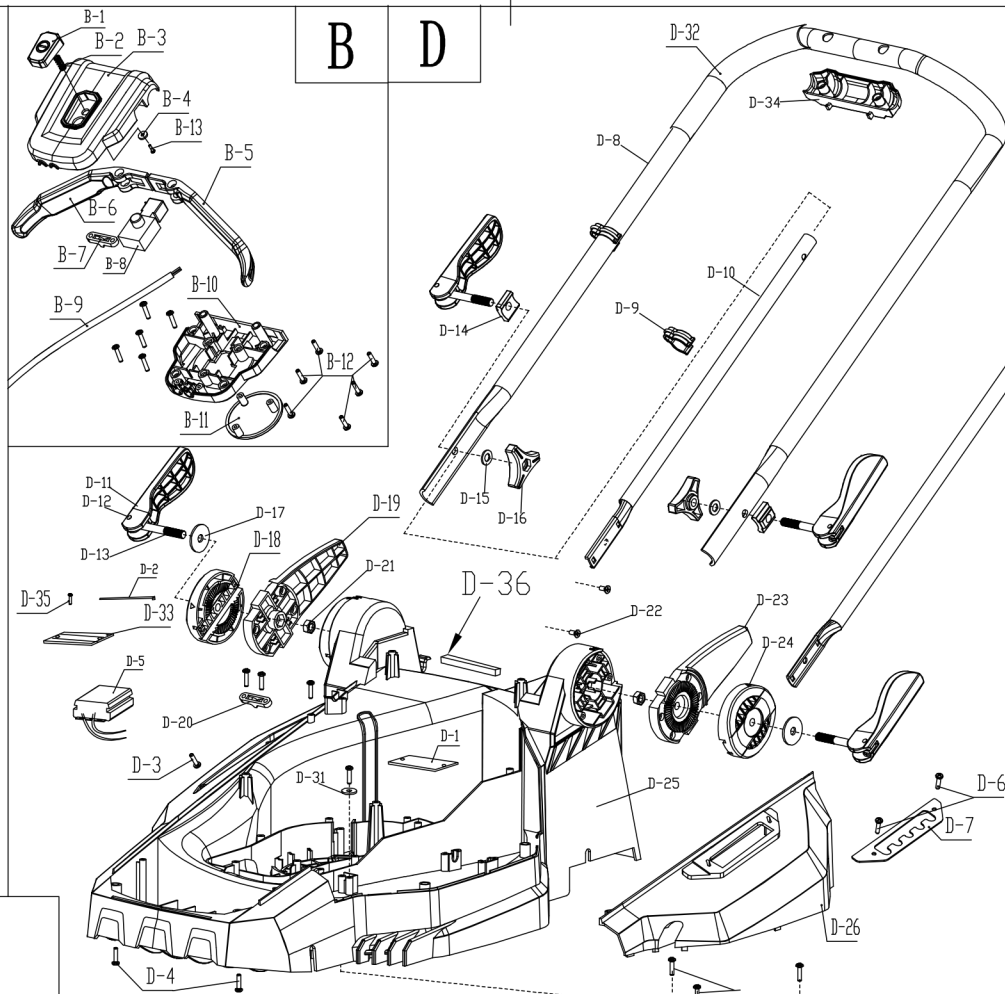
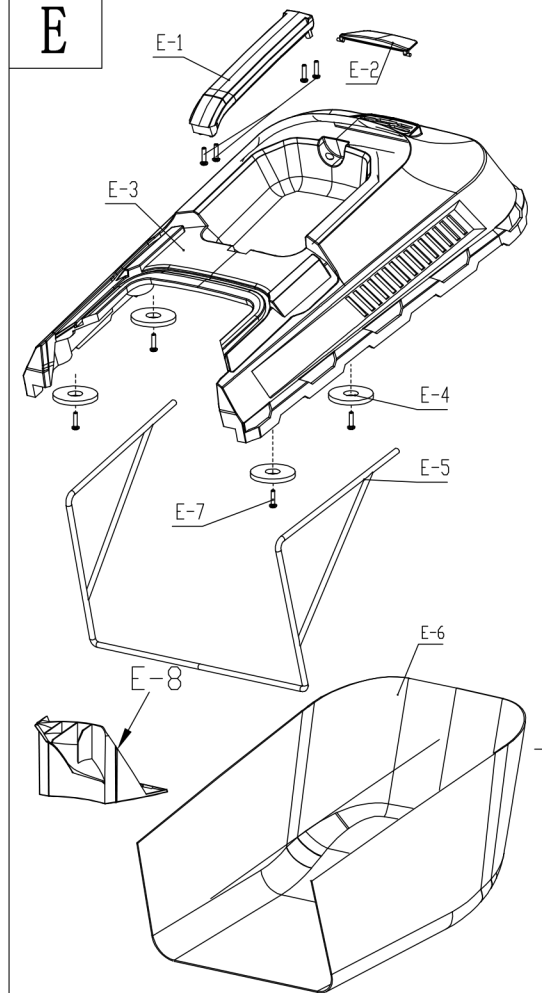
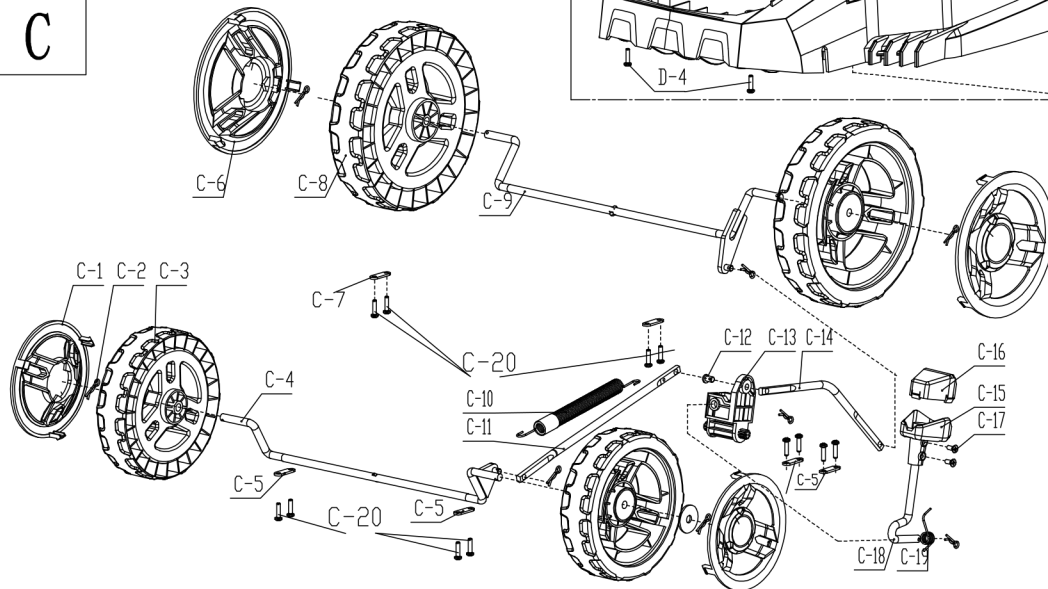
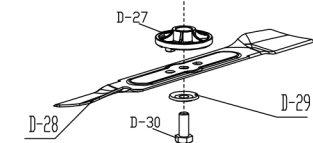
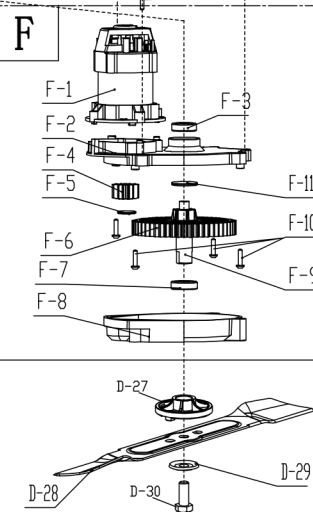


A**B****D****E****C****F**

| No. | Part No. | Description | Qty |
|-------------|--------------------|-----------------------------------|----------|
| A-1 | GJC10000063 | Cover of battery house | 1 |
| A-2 | E2012130010 | Rotating arm for cover | 2 |
| A-3 | GJC50000073 | Decorative cover | 1 |
| A-4 | GJC20000010 | Handle | 1 |
| A-5 | E202A000000 | Strong permanent magnet | 2 |
| A-6 | GJC1D000020 | Base of the battery house | 1 |
| A-7 | CS103900000 | Switch | 1 |
| A-8 | E202FN00000 | Slip block | 1 |
| A-9 | GHC60000010 | press board for key | 1 |
| A-10 | GHC70000013 | Buckle for battery pack | 1 |
| A-11 | GHDN0000000 | Spring for trigger | 1 |
| A-12 | GJC1C000010 | Battery house | 1 |
| A-13 | GHDL0000000 | Spring | 1 |
| A-14 | E102X000000 | Wire group for battery pack | 1 |
| A-14-2 | E102D000000 | Connecting group for battery pack | 1 |
| A-15 | GJCB0000000 | Press board for insert part | 1 |
| A-16 | E2027000013 | Safety key | 2 |
| A-17 | B3058B00000 | ST screw | 17 |
| A-18 | B3073B00000 | ST screw | 2 |
| A-19 | B3057B00000 | ST screw | 4 |
| A-20 | GLE40000000 | Spring for rear cover | 1 |
| A-21 | GLD50000010 | press board for rear cover | 1 |
| A-22 | GLD60000020 | Rear cover | 1 |
| B-1 | GHA10000013 | Switch button | 1 |
| B-2 | GHA20000000 | Spring | 1 |
| B-3 | GHA30000010 | Upper cover of switch box | 1 |
| B-4 | B5053W00000 | Washer | 1 |
| B-5 | GHA6L000020 | Left switch handle | 1 |
| B-6 | GHA6R000020 | Right switch handle | 1 |
| B-7 | E203B000000 | Press board for cable | 1 |
| B-8 | GHA40000000 | Self-locking trigger switch | 1 |
| B-9 | GJA50000000 | Cable | 1 |
| B-10 | GHA80000010 | Lower cover of switch box | 1 |
| B-11 | GHA90000010 | Cover of switch box | 1 |
| B-12 | B3058B00000 | ST screw | 9 |
| C-1 | GHDE0000073 | 160 wheel cover | 2 |
| C-2 | BB005W00000 | Pin | 8 |
| C-3 | GHDD0000010 | 160 wheel | 2 |
| C-4 | GLC10000000 | Front wheel axle | 1 |
| C-5 | GLC20000000 | Press board I | 4 |
| C-6 | GLC30000073 | 200 wheel cover | 2 |
| C-7 | GLCE0000000 | Press board 2 | 2 |

| | | | |
|-------------|--------------------|----------------------------------|----------|
| C-8 | GLC4000000 | 200 wheel | 2 |
| C-9 | GLC50000000 | Rear wheel axle | 1 |
| C-10 | GLC60000000 | Spring | 1 |
| C-11 | GLC70000000 | Front pulling pole | 1 |
| C-12 | B7009W00000 | Pin axle | 1 |
| C-13 | GLC80000000 | height adjusting bracket | 1 |
| C-14 | GLC90000000 | Rear pulling pole | 1 |
| C-15 | GLCA0000010 | height adjusting handle | 1 |
| C-16 | GLCB0000020 | handle cover of height adjusting | 1 |
| C-17 | B3080W00000 | screw | 2 |
| C-18 | GLCC0000000 | height adjusting pulling pole | 1 |
| C-19 | GLCD0000000 | Spring | 1 |
| C-20 | B3058B00000 | ST screw | 14 |
| D-1 | GJD70000000 | Block board | 1 |
| D-2 | G37B0000000 | Nylon belt | 2 |
| D-3 | B3036B00000 | ST screw | 1 |
| D-4 | B3058B00000 | ST screw | 27 |
| D-5 | GHD60000000 | Controller | 1 |
| D-6 | B3073B00000 | ST screw | 2 |
| D-7 | GLD40000000 | Height adjusting board | 1 |
| D-8 | GJAAUX00001 | Upper handle | 1 |
| D-9 | GHAB0000010 | Cable clamp | 2 |
| D-10 | GLD8D000000 | Lower handle | 2 |
| D-11 | G333GX00020 | Quick release handle | 4 |
| D-12 | B7006W00000 | Pin | 4 |
| D-13 | G333GYX0000 | Pin | 4 |
| D-14 | G333GY00010 | Position limit base | 2 |
| D-15 | B5019W00000 | Washer | 2 |
| D-16 | G33C1100020 | Knob | 2 |
| D-17 | B5037W00000 | washer | 2 |
| D-18 | GLD9R000010 | gear buckle right for handle | 1 |
| D-19 | GLDAR000010 | Buckle, right | 1 |
| D-20 | G33Y3000000 | press board | 1 |
| D-21 | B2020W00000 | Nut | 2 |
| D-22 | B3081B00000 | Screw | 4 |
| D-23 | GLDAL000010 | Buckle, left | 1 |
| D-24 | GLD9L000010 | gear buckle left for handle | 1 |
| D-25 | GLDB0000020 | Lower deck | 1 |
| D-26 | GLDC0000020 | Side cover | 1 |
| D-27 | GHDF0000000 | Blade seat | 1 |
| D-28 | SJ513800000 | Blade | 1 |
| D-29 | E10BM200000 | Washer | 1 |
| D-30 | B1109B10025 | Bolt | 1 |
| D-31 | B5059W00000 | Washer | 1 |

| | | | |
|------------|--------------------|------------------------------|----------|
| D-32 | GHAUFPG010 | Hanle foam | 2 |
| D-33 | GHPZK000000 | Weight block | 1 |
| D-34 | GHA70000010 | Buckle for lower cover | 1 |
| D-35 | B3056B00000 | Screw | 4 |
| D-36 | GLE60000000 | sponge strip | 1 |
| F-1 | GHB10000000 | Motor assy | 1 |
| F-2 | GHB20000000 | Upper cover of motor bracket | 1 |
| F-3 | B0004W00000 | Ball bearing | 1 |
| F-4 | GHB30000000 | Gear wheele for motor | 1 |
| F-5 | B9026B00000 | steel block ring | 1 |
| F-6 | GHB40000000 | Driving gear | 1 |
| F-7 | B0007W00000 | Ball bearing | 1 |
| F-8 | GHB50000000 | Lower cover of motor bracket | 1 |
| F-9 | GHB60000000 | Gear spline shaft | 1 |
| F-10 | B3058B00000 | ST screw | 4 |
| F-11 | B5060B00000 | washer | 1 |
| E-1 | GHD10000020 | Handle of grass box | 1 |
| E-2 | GLE10000020 | Window cover | 1 |
| E-3 | GLE20000010 | Cover of grass box | 1 |
| E-4 | B5032W00000 | Washer | 4 |
| E-5 | GLE30000010 | Steel bracket for grass box | 1 |
| E-6 | 1930ZA38N00 | Grass bag | 1 |
| E-7 | B3058B00000 | ST screw | 8 |
| E-8 | GLDCS000010 | Mulching Plug | 1 |