



**KOMATSU
ZENOAH**

HEDGE TRIMMER

MODELS :
HT230A
HT230
CHT230B
CHT230D

SERVICE PARTS LIST

EFFECTIVE :
OCTOBER 1990

CONTENTS :

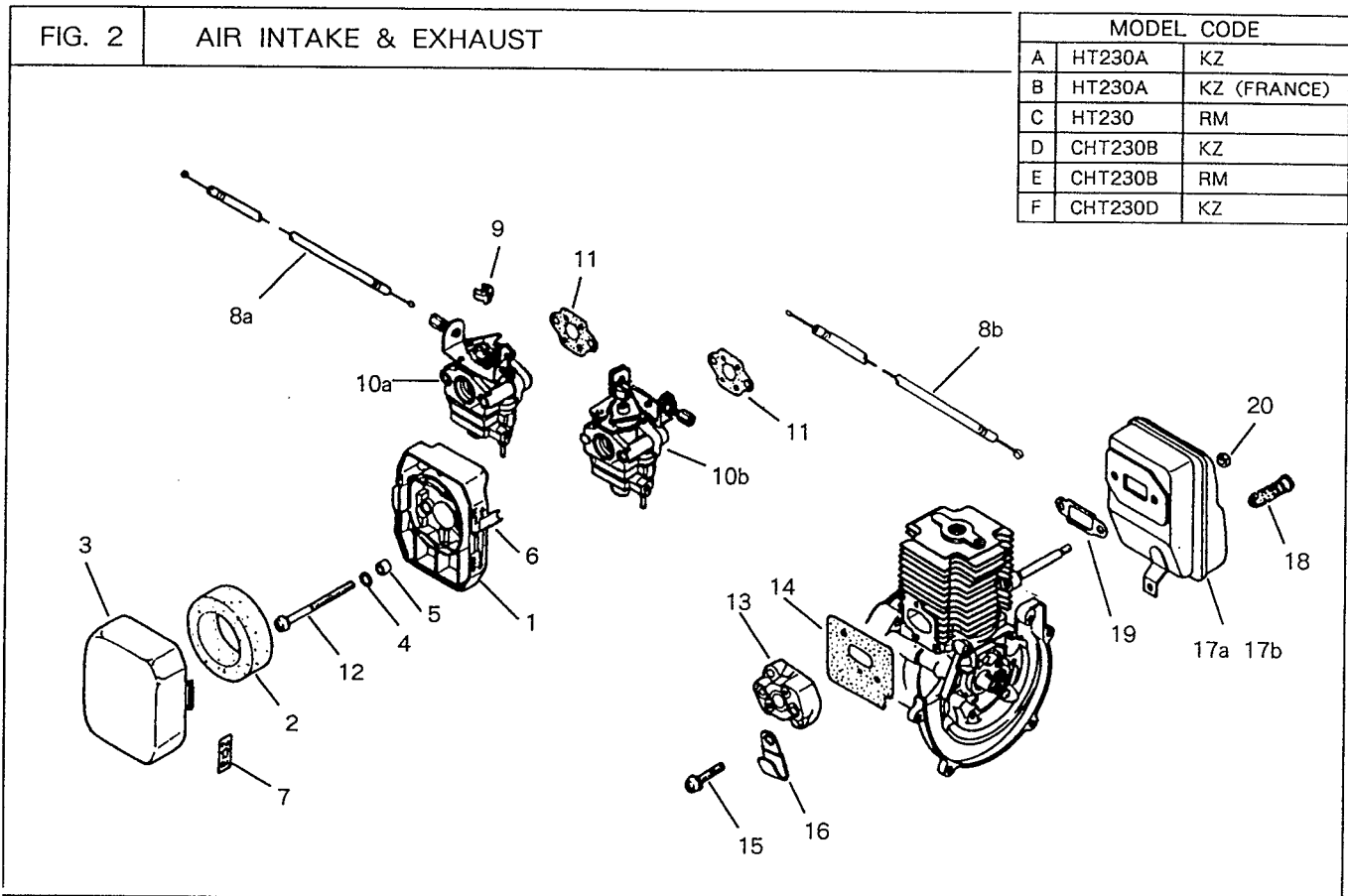
- FIG. 1 ENGINE BLOCK
- FIG. 2 AIR INTAKE & EXHAUST
- FIG. 3 STARTER GROUP
- FIG. 4 IGNITION GROUP
- FIG. 5 CLUTCH GROUP
- FIG. 6 COVER GROUP
- FIG. 7 FUEL TANK GROUP
- FIG. 8 CARBURETOR COMPONENTS
- FIG. 9 TRANSMISSION FOR HT MODELS
- FIG. 10 TRANSMISSION FOR CHT MODELS
- FIG. 11 CUTTER GROUP FOR HT MODELS
- FIG. 12 CUTTER GROUP FOR CHT MODELS
- FIG. 13 HANDLE GROUP FOR HT MODELS
- FIG. 14 HANDLE GROUP FOR CHT MODELS
- FIG. 15 SPARE PARTS & SERVICE TOOLS

FIG. 7 FUEL TANK GROUP		MODEL CODE							
		A	HT230A	KZ	B				
		C							
		D	CHT230B	KZ	E				
		F							
Index No.	Description	Part Number	Remarks	Qty per unit					
				A	B	C	D	E	F
1	FUEL TANK ASS'Y TANK	1751 - 85006 *	1 to 7 * 1751 - 85006	1	1	1	1	1	1
2	CAP ASS'Y CAP	1601 - 85200 *	2 & 3 * 1601 - 85200	1	1	1	1	1	1
3	VALVE COMP	1600 - 85302		1	1	1	1	1	1
4	PIPE COMP., suction	1750 - 85400		1	1	1	1	1	1
5	FILTER ASS'Y	1850 - 85300		1	1	1	1	1	1
6	CLIP	1260 - 85460		1	1	1	1	1	1
7	PIPE COMP., return	1601 - 85701		1	1	1	1	1	1
8	SCREW (M5x16)	0260 - 10516		3	3	3	3	3	3
9	FLAT WASHER	01642 - 20508		3	3	3	3	3	3
10	BRACKET	1772 - 86222					1	1	1
11	SCREW (M5x12)	0260 - 30512					1	1	1

* : Part not assigned for the version. () : Optional part.

FIG. 1		ENGINE BLOCK		MODEL CODE					
				A	HT230A	KZ			
				B	HT230A	KZ (FRANCE)			
				C	HT230	RM			
				D	CHT230B	KZ			
				E	CHT230B	RM			
				F	CHT230D	KZ			
Index No.	Description	Part Number	Remarks	Q'ty per unit					
				A	B	C	D	E	F
1	CYLINDER COMP.	1140 - 12100	1 & 2	1	1	1	1	1	1
	CYLINDER	*	* 1140 - 12100	1	1	1	1	1	1
2	STUD	1140 - 12150		2	2	2	2	2	2
3	GASKET	1140 - 13120		1	1	1	1	1	1
4	SCREW (M5x16)	0260 - 10516		4	4	4	4	4	4
	CRANKCASE COMP.	1150 - 21101	5 & 6a	1	1	1	.	.	.
	CRANKCASE COMP.	1772 - 21101	5 & 6b	.	.	.	1	1	1
5	CRANKCASE (R)	*	* 1150 - 21101 / 1772 - 21101	1	1	1	1	1	1
6a	CRANKCASE (L)	*	* 1150 - 21101	1	1	1	.	.	.
6b	CRANKCASE (L)	*	* 1772 - 21101	.	.	.	1	1	1
7	GASKET	1140 - 21140		1	1	1	1	1	1
8	OIL SEAL	1140 - 21210		1	1	1	1	1	1
9	BEARING	06030 - 06001		2	2	2	2	2	2
10	SNAP RING	04065 - 02812		1	1	1	1	1	1
11	OIL SEAL	1850 - 21220		1	1	1	1	1	1
12	SCREW (M5x25)	0260 - 00530		4	4	4	4	4	4
13	PISTON	1140 - 41110		1	1	1	1	1	1
14	PISTON RING	1100 - 41210		2	2	2	2	2	2
15	PISTON PIN	1101 - 41310		1	1	1	1	1	1
16	SNAP RING	1260 - 41320		2	2	2	2	2	2
17	BEARING	1140 - 41330		1	1	1	1	1	1
18	THRUST WASHER	1101 - 41340		2	2	2	2	2	2
19	CRANKSHAFT COMP.	1150 - 42000		1	1	1	1	1	1
20	SHIM (T0.1mm)	1140 - 43250		(1)	(1)	(1)	(1)	(1)	(1)

. : Part not assigned for the version. () : Optional part.



MODEL CODE		
A	HT230A	KZ
B	HT230A	KZ (FRANCE)
C	HT230	RM
D	CHT230B	KZ
E	CHT230B	RM
F	CHT230D	KZ

Index No.	Description	Part Number	Remarks	Q'ty per unit					
				A	B	C	D	E	F
	AIR CLEANER ASS'Y	1751 - 82002	1 to 6	1	1	1	1	1	1
1	BODY	*	* 1751 - 82002	1	1	1	1	1	1
2	FILTER ELEMENT	1750 - 82020		1	1	1	1	1	1
3	COVER	*	* 1751 - 82002	1	1	1	1	1	1
4	WASHER	1750 - 82080		1	1	1	1	1	1
5	SLEEVE	1750 - 82060		2	2	2	2	2	2
6	LEVER, choke	1750 - 82070		1	1	1	1	1	1
7	LABEL, choke	1133 - 82060		1	1	1	1	1	1
8a	CABLE COMP., throttle	1751 - 82100		1	1	1	.	.	.
8b	CABLE COMP., throttle	1779 - 82101		.	.	.	1	1	1
9	CAP, cable end	1601 - 81810		1	1	1	1	1	1
10a	CARBURETOR ASS'Y	1752 - 81000	Walbro WY - 1 See Fig 8	1	1	1	.	.	.
10b	CARBURETOR ASS'Y	1779 - 81000	Walbro WY - 63 See Fig 8	.	.	.	1	1	1
11	GASKET	1750 - 13131		1	1	1	1	1	1
12	SCREW (M5x60)	0260 - 30560		2	2	2	2	2	2
13	INSULATOR	1750 - 13161		1	1	1	1	1	1
14	GASKET	1750 - 13150		1	1	1	1	1	1
15	SCREW (M5x20)	0260 - 30520		2	2	2	2	2	2
16	CLAMP, cord	1140 - 72231		1	1	1	1	1	1
17a	MUFFLER	1753 - 15110		1	1	.	1	.	1
	MUFFLER ASS'Y	1751 - 15101	17b & 18	.	.	1	.	1	.
17b	MUFFLER	1751 - 15111		.	.	1	.	1	.
18	SPARK ARRESTER	1601 - 15120		.	.	1	.	1	.
19	GASKET	1140 - 13140		1	1	1	1	1	1
20	NUT	3320 - 15310		2	2	2	2	2	2

. : Part not assigned for the version. () : Optional part.

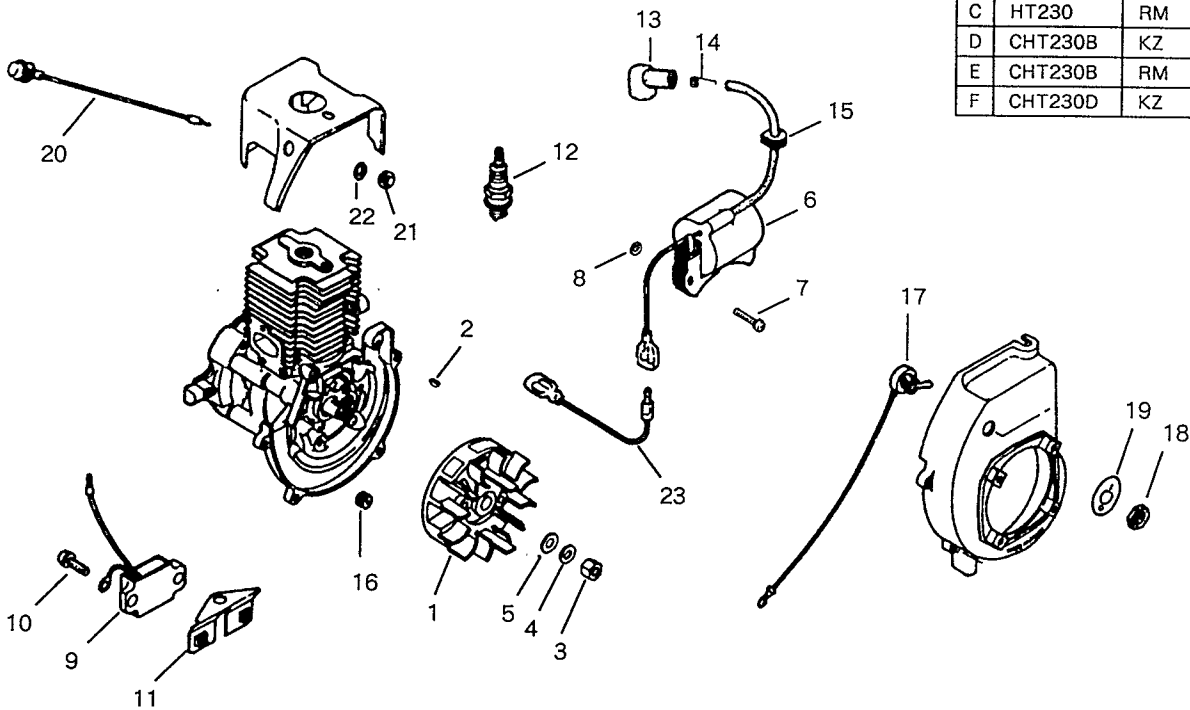
FIG. 3		STARTER GROUP		MODEL CODE					
				A	HT230A	KZ			
				B	HT230A	KZ (FRANCE)			
				C	HT230	RM			
				D	CHT230B	KZ			
				E	CHT230B	RM			
				F	CHT230D	KZ			

Index No.	Description	Part Number	Remarks	Q'ty per unit					
				A	B	C	D	E	F
	STARTER ASS'Y	1140 - 75101	1 to 10	1	1	1	1	1	1
1	CASE	*	* 1140 - 75101	1	1	1	1	1	1
2	REEL	1140 - 75211		1	1	1	1	1	1
3	RATCHET	1130 - 75230		1	1	1	1	1	1
4	SPRING, spiral	1130 - 75220		1	1	1	1	1	1
5	PLATE	1130 - 75241		1	1	1	1	1	1
6	SPRING, friction	1130 - 75251		1	1	1	1	1	1
7	SCREW	1130 - 75260		1	1	1	1	1	1
8	SPRING, return	1140 - 75270		1	1	1	1	1	1
9	ROPE	1140 - 75311		1	1	1	1	1	1
10	KNOB	1140 - 75320		1	1	1	1	1	1
11	SCREW (M4x12)	0260 - 30412		4	4	4	4	4	4
12	CLAMP	1140 - 72231		.	.	.	1	1	1
13a	LABEL	1754 - 75410		1	1
13b	LABEL	1775 - 75410		.	.	1	.	.	.
13c	LABEL	1779 - 75410		.	.	.	1	.	1
13d	LABEL	1786 - 75410		1	.

FIG. 4 IGNITION GROUP

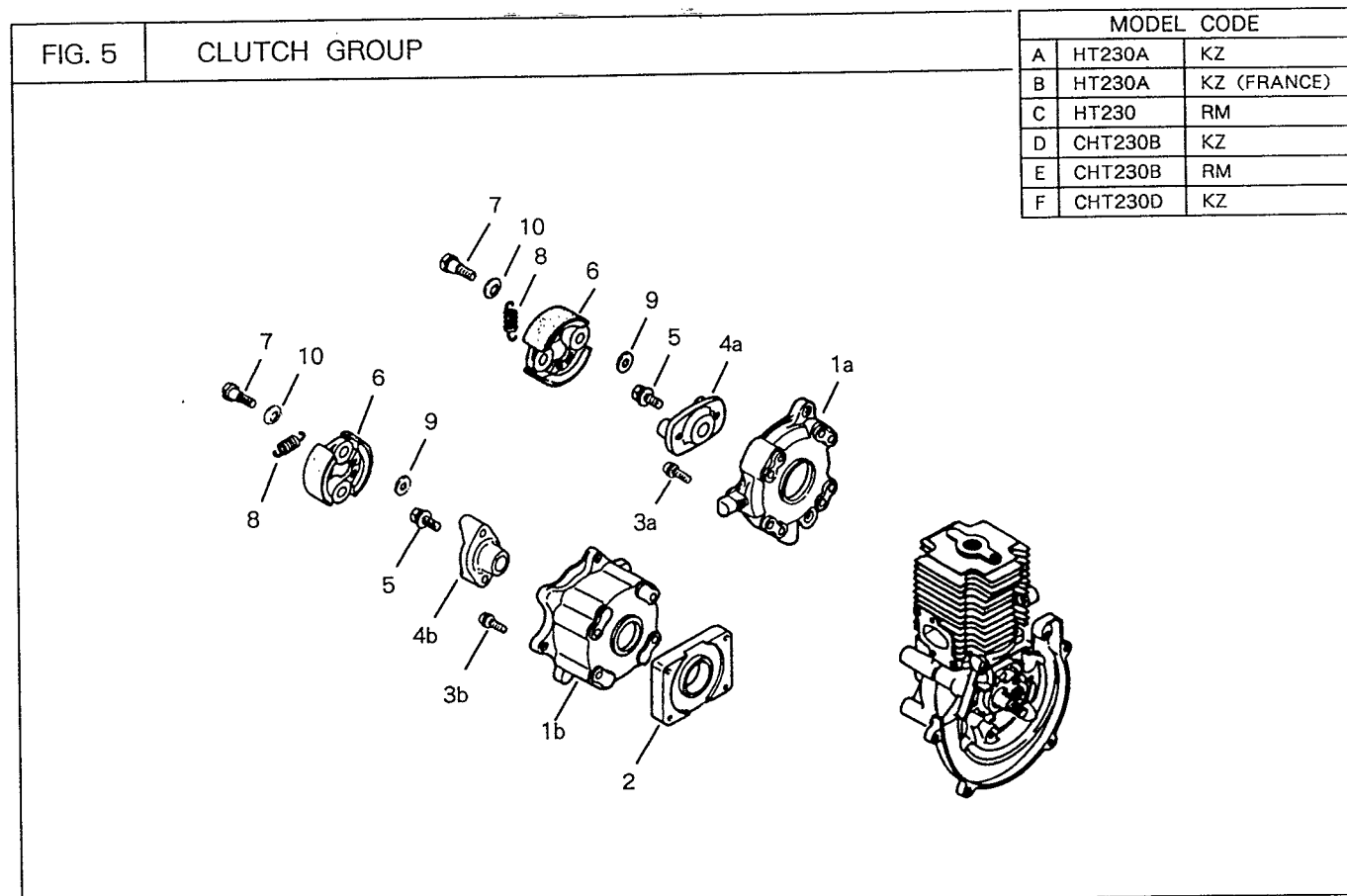
MODEL CODE

A	HT230A	KZ
B	HT230A	KZ (FRANCE)
C	HT230	RM
D	CHT230B	KZ
E	CHT230B	RM
F	CHT230D	KZ



Index No.	Description	Part Number	Remarks	Q'ty per unit					
				A	B	C	D	E	F
1	ROTOR	1750 - 71110		1	1	1	1	1	1
2	KEY	1000 - 43240		1	1	1	1	1	1
3	NUT	1140 - 43230		1	1	1	1	1	1
4	SPRING WASHER	0290 - 20820		1	1	1	1	1	1
5	FLAT WASHER	01641 - 20812		1	1	1	1	1	1
6	IGNITION COIL	1750 - 71120		1	1	1	1	1	1
7	SCREW (M4x20)	0260 - 10420		2	2	2	2	2	2
8	FLAT WASHER	01641 - 20508		2	2	2	2	2	2
9	CONTROL UNIT	1750 - 71500		1	1	1	1	1	1
10	SCREW (M5x12)	0260 - 20512		2	2	2	2	2	2
11	BRACKET	1750 - 72240		1	1	1	1	1	1
12	SPARK PLUG	1148 - 73120	NGK BMR7A	1	1	1	1	1	1
13	CAP	1100 - 72213		1	1	1	1	1	1
14	SPRING	1900 - 72120		1	1	1	1	1	1
15	GROMMET	1140 - 72110		1	1	1	1	1	1
16	GROMMET	1540 - 71220		1	1	1	1	1	1
17	SWITCH, engine stop	1754 - 72210		1	1
18	NUT	1754 - 72230		1	1
19	PLATE	1754 - 72240		1	1
	SWITCH ASS'Y	1120 - 72200	20 to 22	.	.	1	.	.	.
20	SWITCH, engine stop	*	* 1120 - 72200	.	.	1	.	.	.
21	NUT	1520 - 72230		.	.	1	.	.	.
22	SPRING WASHER	1520 - 72220		.	.	1	.	.	.
23	CORD, switch	1372 - 72250		.	.	.	1	1	1

. : Part not assigned for the version. () : Optional part.

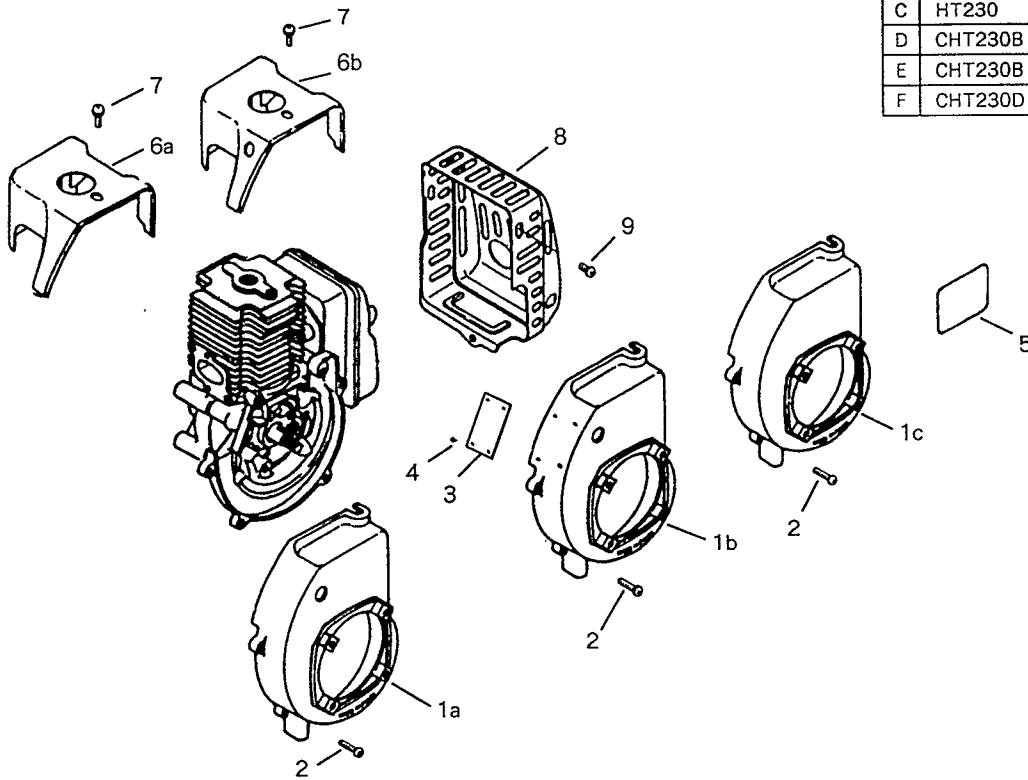


MODEL CODE		
A	HT230A	KZ
B	HT230A	KZ (FRANCE)
C	HT230	RM
D	CHT230B	KZ
E	CHT230B	RM
F	CHT230D	KZ

Index No.	Description	Part Number	Remarks	Q'ty per unit					
				A	B	C	D	E	F
1a	CASE, clutch	1753 - 21161		1	1	1	•	•	•
1b	CASE, clutch	1779 - 21160		•	•	•	1	1	1
2	PLATE	1772 - 56111		•	•	•	1	1	1
3a	SCREW (M5x16)	0260 - 30516		4	4	4	•	•	•
3b	SCREW (M5x25)	0260 - 30525		•	•	•	4	4	4
4a	PLATE, clutch	1140 - 55310		1	1	1	•	•	•
4b	PLATE, clutch	1772 - 55310		•	•	•	1	1	1
5	BOLT (M6x14)	0224 - 30614		1	1	1	1	1	1
6	SHOE, clutch	1100 - 51111		2	2	2	2	2	2
7	SCREW	1140 - 51250		2	2	2	2	2	2
8	SPRING	1122 - 51220		1	1	1	1	1	1
9	FLAT WASHER	1140 - 51230		2	2	2	2	2	2
10	WAVE WASHER	1140 - 51241		2	2	2	2	2	2

• : Part not assigned for the version. () : Optional part.

FIG. 6 COVER GROUP



MODEL CODE

A	HT230A	KZ
B	HT230A	KZ (FRANCE)
C	HT230	RM
D	CHT230B	KZ
E	CHT230B	RM
F	CHT230D	KZ

Index No.	Description	Part Number	Remarks	Q'ty per unit					
				A	B	C	D	E	F
1a	COVER, fan	1754 - 31110	Conformity	1	•	•	•	•	•
1b	COVER, fan	1767 - 31110		•	1	•	•	•	•
1c	COVER, fan	1140 - 31111		•	•	1	1	1	1
2	SCREW (M4x14)	0260 - 00414		4	4	4	4	4	4
3	LABEL	1767 - 31140		•	1	•	•	•	•
4	RIVET	0304 - 02040		•	4	•	•	•	•
5	LABEL	1633 - 31120		•	•	1	•	1	•
6a	COVER, cylinder	1754 - 32210		1	1	•	1	1	1
6b	COVER, cylinder	1140 - 32211		•	•	1	•	•	•
7	SCREW (M4x8)	0260 - 20408	2	2	2	2	2	2	
8	COVER, muffler	1751 - 15210	1	1	1	1	1	1	
9	SCREW (M4x8)	0260 - 20408	3	3	3	3	3	3	

• : Part not assigned for the version. () : Optional part.

Fig. 3 CARBURETOR, AIR CLEANER, THROTTLE CABLE

CHT230B/CHT230D

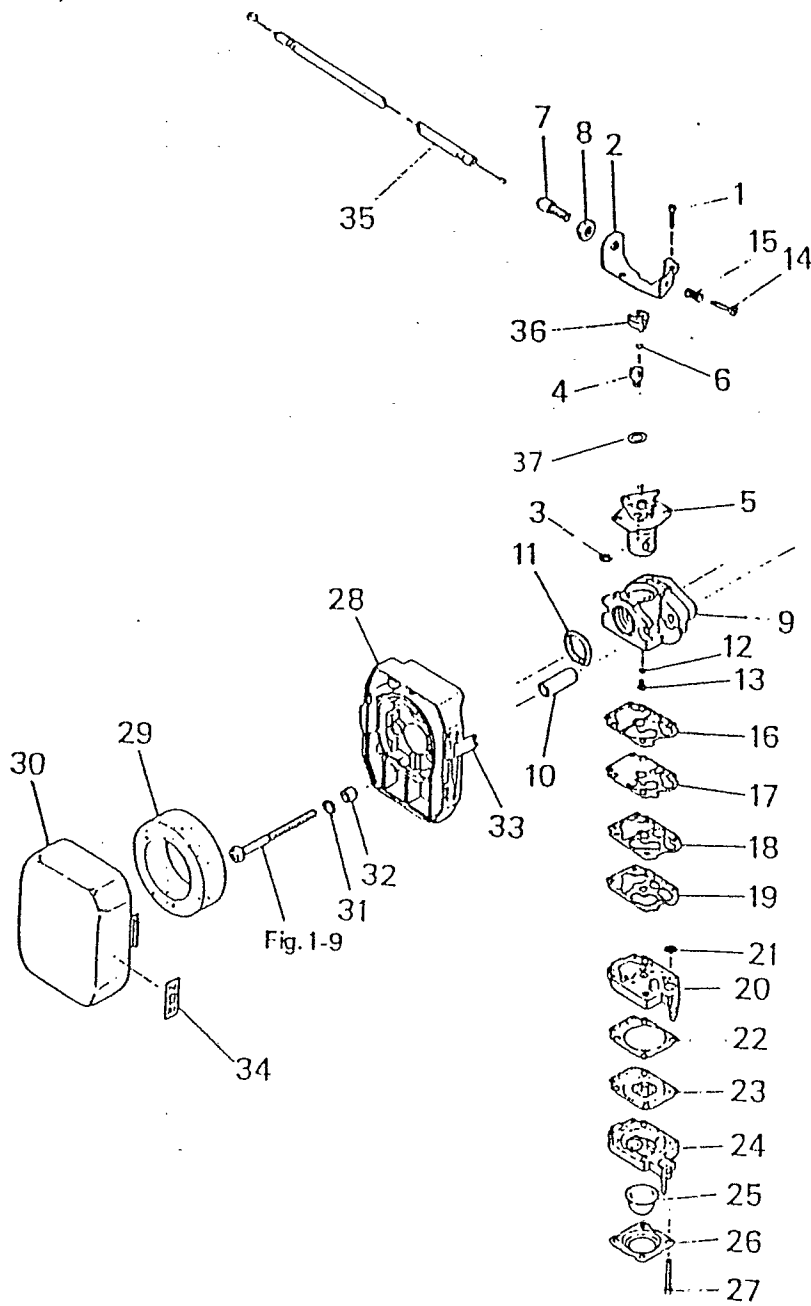


Fig. 3 CARBURETOR, AIR CLEANER, THROTTLE CABLE

CHT230B/CHT230D

Key No.	Part Number	Description	Q'ty/unit	Remarks
	1779-81000	Carburetor ass'y		1 to 27, and 37
1	1752-81110	Screw, Bracket	2	
2	1751-81120	Bracket	1	
3	1751-81130	Snap ring	1	
4	1751-81141	Swivel	1	
5	1752-81150	Throttle valve	1	
6	1751-81160	PLug	1	
7	1751-81170	Adjuster, Throttle cable	1	
8	1751-81180	Nut, Cable adjuster	1	
9	*	Body, Carburetor	1	*1779-81000
10	1751-81220	Sleeve	2	
11	1751-81230	Packing	1	
12	1751-81240	O-ring	1	
13	1751-81250	Main jet	1	# 48
14	1751-81310	Idle adjust screw	1	
15	1751-81320	Spring, Idle screw	1	
16	1065-81410	Gasket, Pump	1	
17	1065-81420	Diaphragm, Pump	1	
18	1751-81430	Plate, Pump	1	
19	1751-81440	Gasket, Plate	1	
20	1752-81450	Cover, Pump	1	
21	3310-81380	Screen, Inlet	1	
22	1751-81470	Gasket, Diaphragm	1	
23	3310-81260	Diaphragm	1	
24	1891-81490	Body, Primer	1	
25	1751-81510	Pump, Primer	1	
26	1751-81520	Cover, Primer	1	
27	1752-81530	Screw, Primer cover	4	
	1751-82002	Air cleaner ass'y		28 to 33
28	*	Body, air cleaner	1	*1751-82002
29	1750-82020	Air filter	1	
30	*	Cover, Air cleaner	1	*1751-82002
31	1750-82080	Washer	1	
32	1750-82060	Sleeve	2	
33	1750-82070	Lever, Choke	1	
34	1133-82060	Label	1	
35	1779-82100	Cable comp., Throttle	1	
36	1601-81810	Cap, Cable end	1	
37	1751-81190	Washer	1	

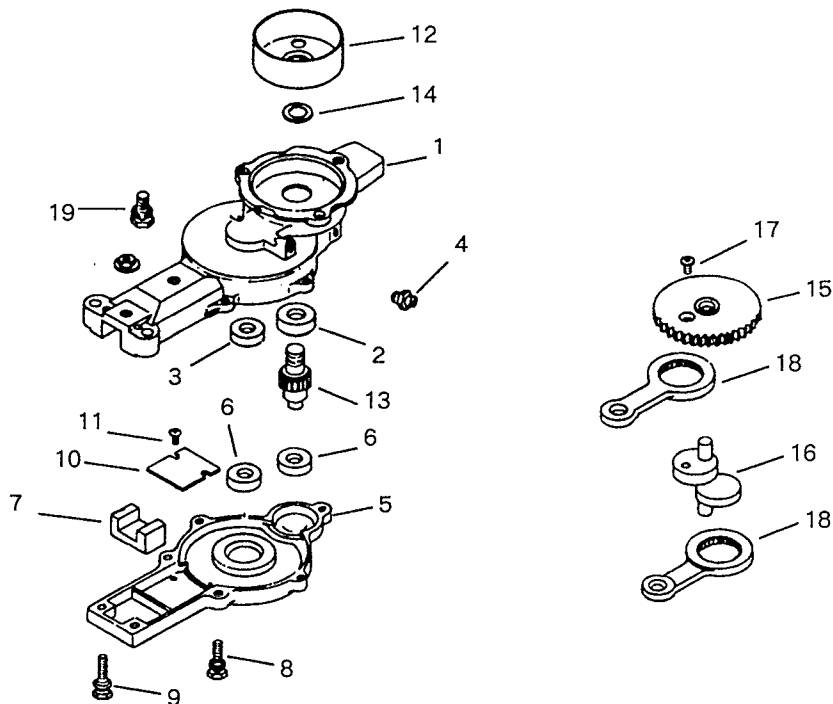
FIG. 9	TRANSMISSION FOR HT MODELS	MODEL CODE					
		A	HT230A	KZ	B	HT230A	KZ (FRANCE)
		C	HT230	RM	D	CHT230B	KZ
		E	CHT230B	RM	F	CHT230D	KZ

Index No.	Description	Part Number	Remarks	Qty per unit					
				A	B	C	D	E	F
1	CASE, middle	3880 - 11110		1	1	1	.	.	.
2	BEARING	06004 - 06000		1	1	1	.	.	.
3	BEARING	06002 - 06000		1	1	1	.	.	.
4	FITTING, grease	3199 - 13350		1	1	1	.	.	.
5	CASE, lower	3880 - 11210		1	1	1	.	.	.
6	BEARING	06002 - 00608		1	1	1	.	.	.
7	BEARING	06002 - 06000		1	1	1	.	.	.
8	FELT, outer	3880 - 11320		1	1	1	.	.	.
9	FELT, inner	3880 - 11330		1	1	1	.	.	.
10	BOLT (M5x22)	01252 - 30522		2	2	2	.	.	.
11	BOLT (M5x18)	01252 - 30518		2	2	2	.	.	.
12	BOLT (M5x16)	01252 - 30516		3	3	3	.	.	.
13	PLATE	3880 - 11340		1	1	1	.	.	.
14	SCREW (M3x6)	01220 - 40306		2	2	2	.	.	.
15	DRUM, clutch	3880 - 11410		1	1	1	.	.	.
16	PINION	3880 - 11420		1	1	1	.	.	.
17	COLLAR	3880 - 11430		1	1	1	.	.	.
18	GEAR	3880 - 11440		1	1	1	.	.	.
19	ROD ASS'Y	3880 - 11500		2	2	2	.	.	.
20	BOLT, engine mounting	0225 - 10614	M6x14	3	3	3	.	.	.

. : Part not assigned for the version. () : Optional part.

FIG. 10 TRANSMISSION FOR CHT MODELS

MODEL CODE		
A	HT230A	KZ
B	HT230A	KZ (FRANCE)
C	HT230	RM
D	CHT230B	KZ
E	CHT230B	RM
F	CHT230D	KZ

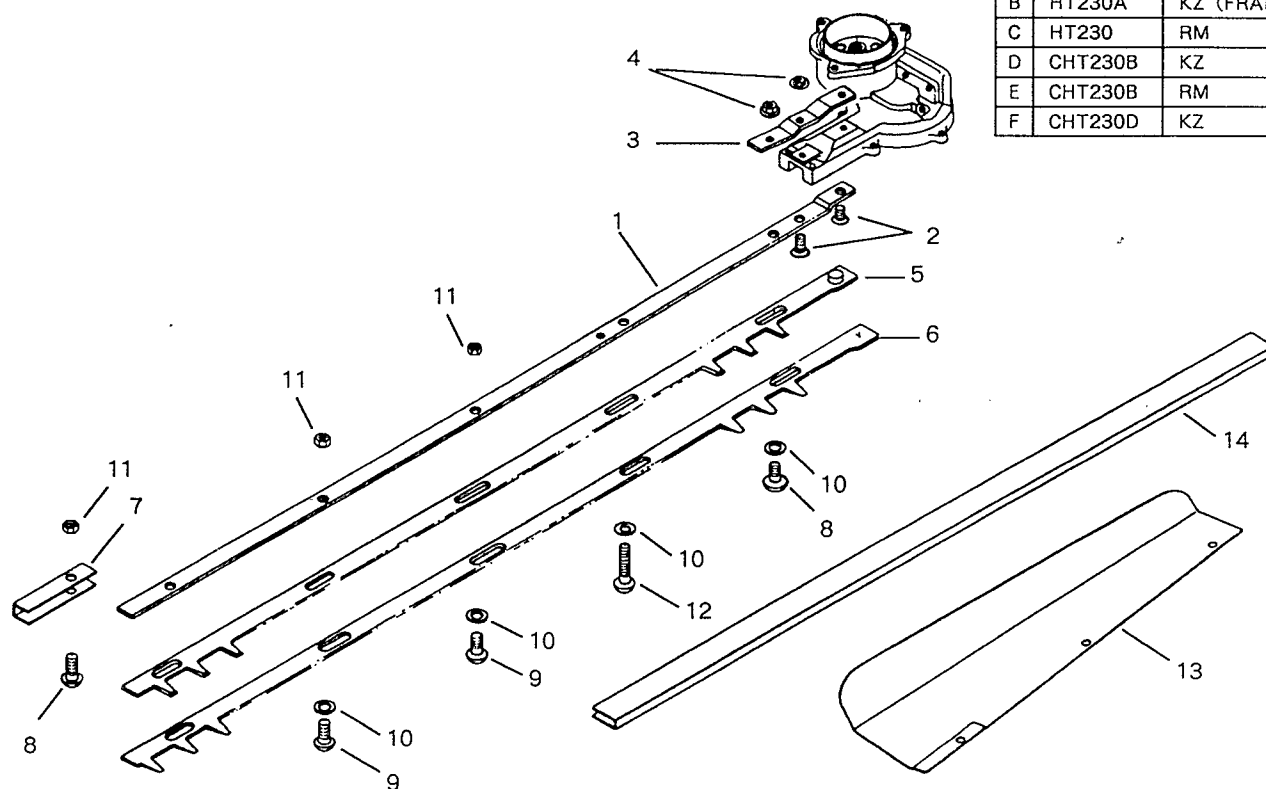


Index No.	Description	Part Number	Remarks	Q'ty per unit					
				A	B	C	D	E	F
1	CASE, middle	3873 - 11110		•	•	•	1	1	1
2	BEARING 90200 216	06004 - 06000	6000 22	•	•	•	1	1	1
3	BEARING 90200 180	3873 - 11150	608 2	•	•	•	1	1	1
4	FITTING, grease	3199 - 13350		•	•	•	1	1	1
5	CASE, lower	3873 - 11210		•	•	•	1	1	1
6	BEARING 90200 180	3873 - 11150	608 2	•	•	•	2	2	2
7	FELT	3873 - 11320		•	•	•	1	1	1
8	BOLT (M5x16)	0225 - 10516		•	•	•	5	5	5
9	BOLT (M5x20)	0225 - 10520		•	•	•	2	2	2
10	PLATE	3880 - 11340		•	•	•	1	1	1
11	SCREW (M3x5)	0260 - 00305		•	•	•	2	2	2
12	DRUM, clutch	3880 - 11410		•	•	•	1	1	1
13	PINION	3873 - 11420		•	•	•	1	1	1
14	COLLAR	3880 - 11430		•	•	•	1	1	1
15	GEAR	3873 - 11440		•	•	•	1	1	1
16	CRANKSHAFT	3873 - 11450		•	•	•	1	1	1
17	SCREW (M5x10)	3873 - 11460		•	•	•	1	1	1
18	ROD ASS'Y	3873 - 11500		•	•	•	2	2	2
19	BOLT (M6x14)	0225 - 10614		•	•	•	2	2	2

• : Part not assigned for the version. () : Optional part.

FIG. 11 CUTTER GROUP FOR HT MODELS

MODEL CODE		
A	HT230A	KZ
B	HT230A	KZ (FRANCE)
C	HT230	RM
D	CHT230B	KZ
E	CHT230B	RM
F	CHT230D	KZ

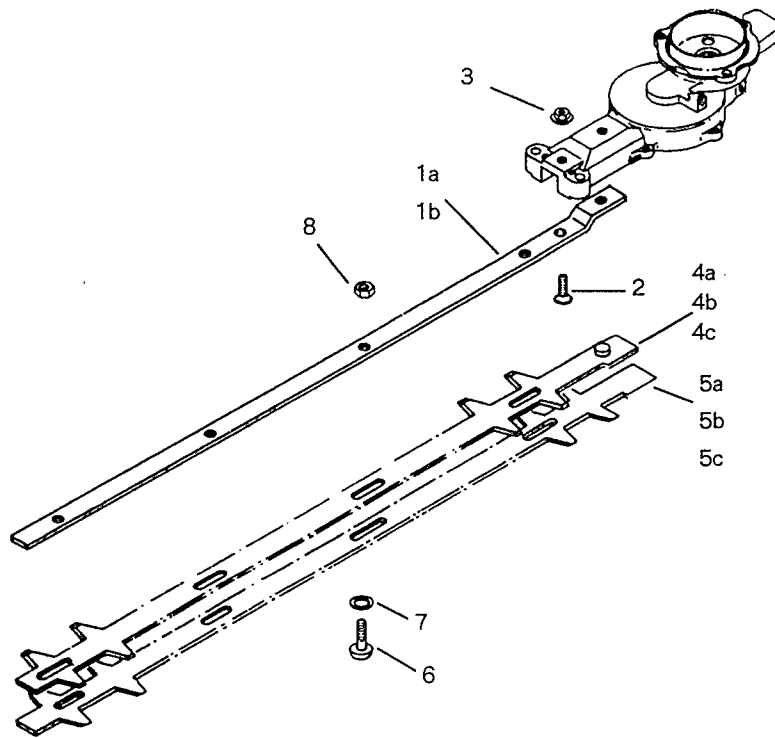


Index No.	Description	Part Number	Remarks	Q'ty per unit					
				A	B	C	D	E	F
1	GUIDE PLATE	3883 - 11610		1	1	1	•	•	•
2	SCREW (M5x20)	01224 - 40520		2	2	2	•	•	•
3	PLATE, reinforce	3880 - 11130		1	1	1	•	•	•
4	NUT	3880 - 11140		2	2	2	•	•	•
5	BLADE, upper	3880 - 11720		1	1	1	•	•	•
6	BLADE, lower	3880 - 11730		1	1	1	•	•	•
7	END, reinforce	3880 - 11750		1	1	1	•	•	•
8	SCREW	3880 - 11760	L : 22mm	2	2	2	•	•	•
9	SCREW	3880 - 11770	L : 19mm	2	2	2	•	•	•
10	WASHER	3880 - 11780		4	4	4	•	•	•
11	NUT	3880 - 11790		5	5	5	•	•	•
12	SCREW	3880 - 11810	L : 29mm	1	1	1	•	•	•
13	PLATE, receive	3880 - 91110		(1)	(1)	(1)	•	•	•
14	COVER, blade	3880 - 91140		(1)	(1)	(1)	•	•	•

• : Part not assigned for the version. () : Optional part.

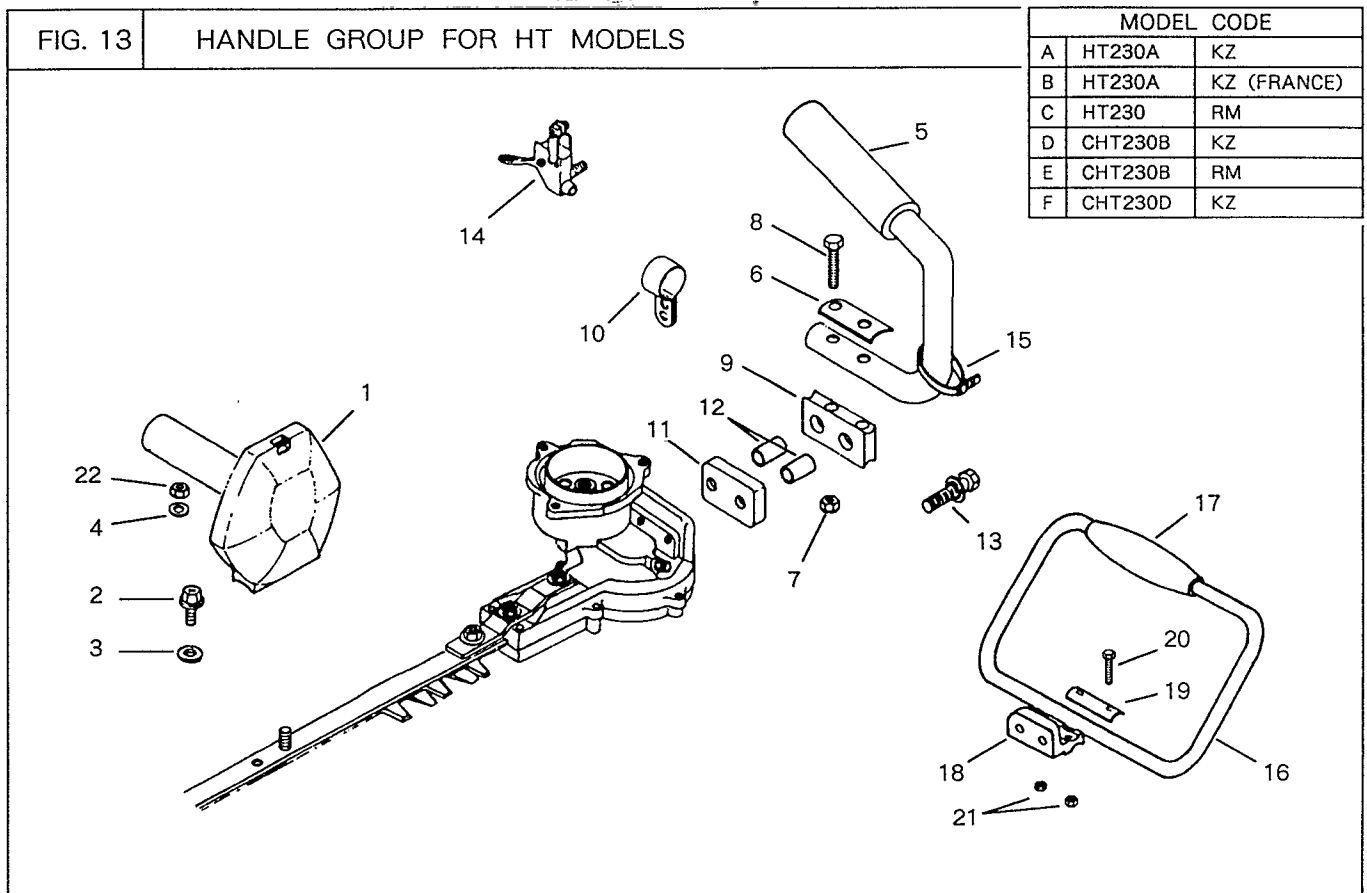
FIG. 12 CUTTER GROUP FOR CHT MODELS

MODEL CODE		
A	HT230A	KZ
B	HT230A	KZ (FRANCE)
C	HT230	RM
D	CHT230B	KZ
E	CHT230B	RM
F	CHT230D	KZ



Index No.	Description	Part Number	Remarks	Q'ty per unit					
				A	B	C	D	E	F
1a	GUIDE PLATE	3873 - 11610	600mm	.	.	.	1	1	.
1b	GUIDE PLATE	3874 - 11700	400mm	1
2	SCREW (M5x16)	3873 - 11630		.	.	.	2	2	2
3	NUT	3880 - 11140		.	.	.	2	2	2
4a	BLADE, upper	3873 - 11720	600mm Double - ground	.	.	.	1	.	.
4b	BLADE, upper	3879 - 11720	600mm Single - ground	1	.
4c	BLADE, upper	3874 - 11720	400mm	1
5a	BLADE, lower	3873 - 11730	600mm Double - ground	.	.	.	1	.	.
5b	BLADE, lower	3879 - 11730	600mm Single - ground	1	.
5c	BLADE, lower	3874 - 11730	400mm	1
6	SCREW (M6x19)	3873 - 11750		.	.	.	4	4	3
7	FLAT WASHER	3873 - 11760		.	.	.	4	4	3
8	NUT	3880 - 11790		.	.	.	4	4	3

. : Part not assigned for the version. () : Optional part.

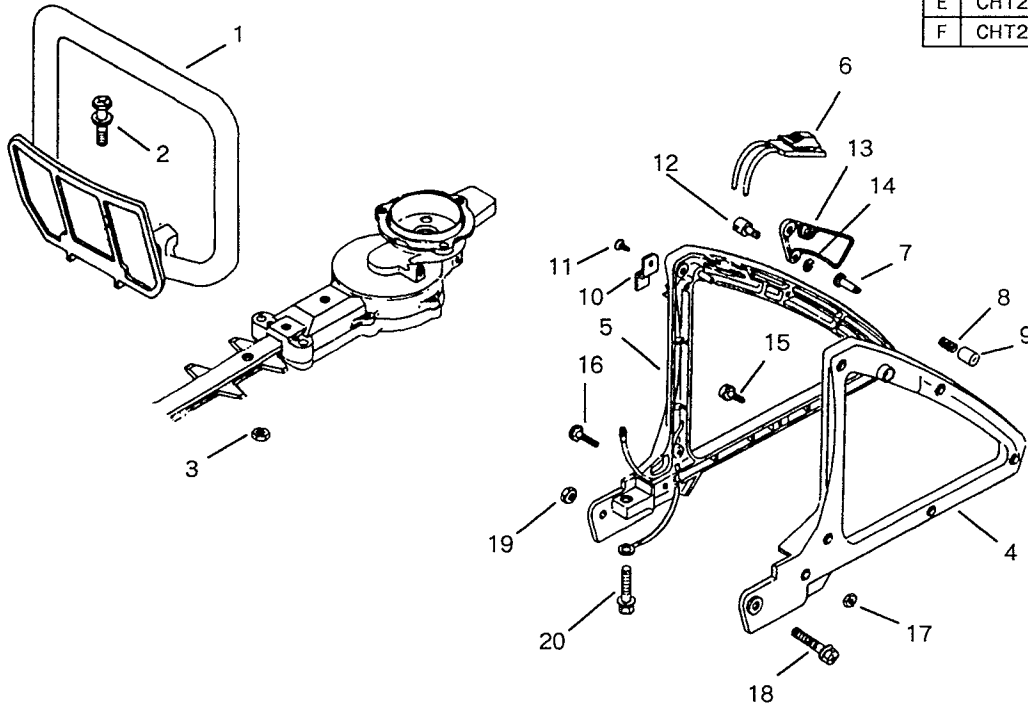


Index No.	Description	Part Number	Remarks	Q'ty per unit					
				A	B	C	D	E	F
1	RIGHT HANDLE COMP.	3883 - 12100	3880-12110	1	1	1	.	.	.
2	BOLT	3883 - 12140		1	1	1	.	.	.
3	FLAT WASHER	3883 - 12130		1	1	1	.	.	.
4	FLAT WASHER	01642 - 20608		1	1	1	.	.	.
5	LEFT HANDLE COMP.	3880 - 13200	3880-13110	1	1	1	.	.	.
6	BACK PLATE	3880 - 13310		1	1	1	.	.	.
7	NUT	3880 - 13370		2	2	2	.	.	.
8	BOLT	0212 - 20545		2	2	2	.	.	.
9	BRACKET	3880 - 13321		1	1	1	.	.	.
10	HANGER	3880 - 13360		1	1	1	.	.	.
11	ABSORBER	3880 - 13330		1	1	1	.	.	.
12	SPACER	3880 - 13340		2	2	2	.	.	.
13	BOLT	0225 - 30635		2	2	2	.	.	.
14	THROTTLE LEVER ASS'Y	3881 - 13210		1	1	1	.	.	.
15	BAND	3880 - 13350		1	1	1	.	.	.
	LOOP HANDLE KIT	3883 - 06110	16 to 21	(1)	(1)	(1)	.	.	.
16	HANDLE	3883 - 92130		(1)	(1)	(1)	.	.	.
17	GRIP	3883 - 92150		(1)	(1)	(1)	.	.	.
18	HOLDER	3883 - 92120		(1)	(1)	(1)	.	.	.
19	BACK PLATE	3880 - 13310		(1)	(1)	(1)	.	.	.
20	BOLT	3883 - 92140		(2)	(2)	(2)	.	.	.
21	NUT	3883 - 92110		(2)	(2)	(2)	.	.	.
22	NUT	3880 - 11790		1	1	1	.	.	.

. : Part not assigned for the version. () : Optional part.

FIG. 14 HANDLE GROUP FOR CHT MODELS

MODEL CODE		
A	HT230A	KZ
B	HT230A	KZ (FRANCE)
C	HT230	RM
D	CHT230B	KZ
E	CHT230B	RM
F	CHT230D	KZ



Index No.	Description	Part Number	Remarks	Q'ty per unit					
				A	B	C	D	E	F
1	FRONT HANDLE	3873 - 12100		.	.	.	1	1	1
2	BOLT (M6x30)	0225 - 50630		.	.	.	2	2	2
3	NUT	0280 - 10605		.	.	.	2	2	2
	REAR HANDLE ASS'Y	3873 - 13100	4 to 17	.	.	.	1	1	1
4	HANDLE, left	*	* 3873 - 13100	.	.	.	1	1	1
5	HANDLE, right	*	* 3873 - 13100	.	.	.	1	1	1
6	SWITCH ASS'Y	3873 - 13130		.	.	.	1	1	1
7	PIN, throttle lock	3873 - 13140		.	.	.	1	1	1
8	SPRING, return	3873 - 13150		.	.	.	1	1	1
9	CAP	3873 - 13160		.	.	.	1	1	1
10	PLATE	3873 - 13170		.	.	.	1	1	1
11	SCREW (M4x10)	3873 - 13180		.	.	.	1	1	1
12	END, throttle cable	3873 - 13210		.	.	.	1	1	1
13	LEVER, throttle	3873 - 13220		.	.	.	1	1	1
14	E - RING	3873 - 13230		.	.	.	1	1	1
15	SCREW (M4x16)	3873 - 13240		.	.	.	5	5	5
16	SCREW (M4x30)	3873 - 13250		.	.	.	1	1	1
17	NUT	0280 - 10403		.	.	.	6	6	6
18	BOLT (M6x50)	0225 - 50650		.	.	.	1	1	1
19	NUT	0280 - 10605		.	.	.	1	1	1
20	BOLT (M6x40)	0225 - 50640		.	.	.	1	1	1

. : Part not assigned for the version. () : Optional part.

FIG. 15		SPARE PARTS & SERVICE TOOLS		MODEL CODE					
				A	HT230A	KZ			
				B	HT230A	KZ (FRANCE)			
				C	HT230	RM			
				D	CHT230B	KZ			
				E	CHT230B	RM			
				F	CHT230D	KZ			

Index No.	Description	Part Number	Remarks	Q'ty per unit					
				A	B	C	D	E	F
	TOOL SET	1111 - 91002	1 to 4	1	1	1	1	1	1
1	BAG	1030 - 91112		1	1	1	1	1	1
2	SCREWDRIVER	1030 - 91340		1	1	1	1	1	1
3	SOCKET	1110 - 91320	Hex 19mm	1	1	1	1	1	1
4	SPANNER	0901 - 00810	Hex 8mm x 10mm	1	1	1	1	1	1
5	SCREW	3880 - 11760	L : 22mm	1	1	1	.	.	.
6	SCREW	3880 - 11770	L : 19mm	1	1	1	.	.	.
7	SCREW	3880 - 11810	L : 29mm	1	1	1	.	.	.
8	NUT	3880 - 11790		2	2	2	.	.	.
9	PULLER ASS'Y	1600 - 96100	Flywheel & Clutch plate	(1)	(1)	(1)	(1)	(1)	(1)
10	ROD ASS'Y	1101 - 96220	Piston pin	(1)	(1)	(1)	(1)	(1)	(1)
11	WRENCH	3880 - 95010	Clutch drum	(1)	(1)	(1)	(1)	(1)	(1)
12	WRENCH	3880 - 95020	Clutch drum	(1)	(1)	(1)	(1)	(1)	(1)

. : Part not assigned for the version. () : Optional part.

KOMATSU ZENOAH CO.

2 - 142 - 1, SAKURAGAOKA, HIGASHIYAMATO
TOKYO 189 JAPAN

PHONE : 0425 - 61 - 2144
TELEX : 2842 - 243
TELECOPIER : 0425 - 66 - 1866