

PARTS LIST

HEDGE TRIMMERS

HT2300A
CHT2300B

APPLICABLE SERIAL NUMBERS

APRIL 1997

HT2300A	660001	and up
CHT2300B	660001	and up

Fig. 1 CUTTER GROUP HT2300A

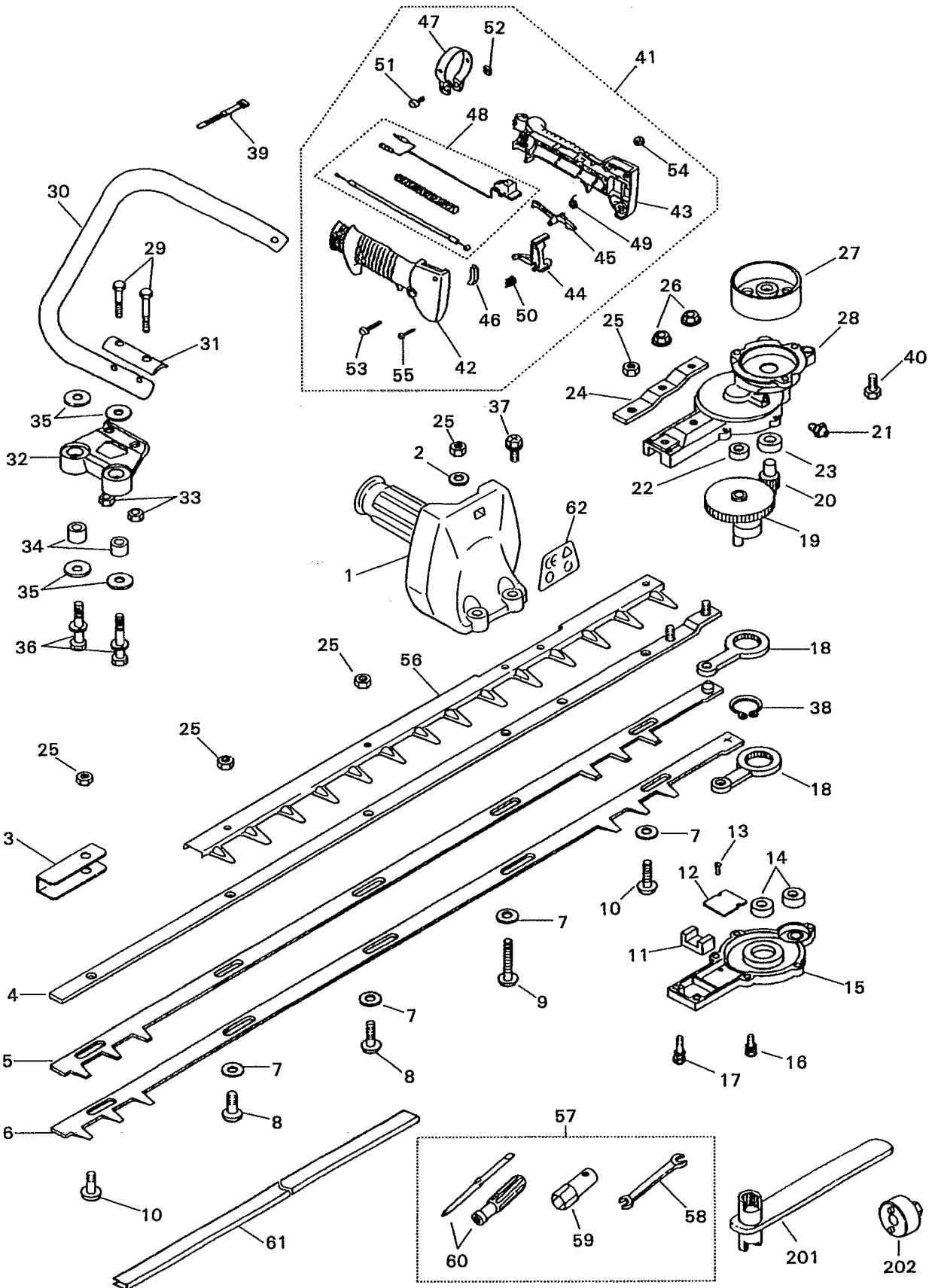


Fig. 1 CUTTER GROUP HT2300A

Key#	DESCRIPTION	PART NUMBER	Q'TY /UNIT	NOTE	Key#	DESCRIPTION	PART NUMBER	Q'TY /UNIT	NOTE
1	Right handle comp.	6844-12100	1		57	Tool set	1111-91003	1	
2	Washer	3883-12130	1		58	Spanner	3540-91120	1	
3	Reinforce	3880-11750	1		59	Socket	1110-91320	1	
4	Guide plate	3883-11612	1		60	Screwdriver	1030-91340	1	
5	Upper blade	3880-11720	1		61	Cover, blade	3880-91140	1	
6	Lower blade	3880-11730	1		62	Label	6844-12190	1	
7	Washer	3880-11780	4						
8	Screw, 19mm long	3884-11750	2		201	Wrench	3880-95020	(1)	Optional part
9	Screw, 29mm long	6095-11810	1		202	Wrench	3880-95010	(1)	Optional part
10	Screw, 22mm long	3884-11660	2						
11	Felt	3873-11320	1						
12	Plate	3880-11340	1						
13	Screw	0260-00305	2						
14	Bearing	06001-00608	2						
15	Lower case	3873-11210	1						
16	Bolt	0225-10516	5						
17	Bolt	0225-10520	2						
18	Rod	3873-11500	2						
19	Gear comp.	6830-11400	1						
20	Pinion	3884-11420	1						
21	Fitting	3199-13350	1						
22	Bearing	06001-00608	1						
23	Bearing	06004-06001	1						
24	Plate	3876-11670	1						
25	Nut	3880-11790	5						
26	Nut	3880-11140	2						
27	Clutch drum	3884-11410	1						
28	Upper case	3887-11111	1						
29	Bolt	0212-50530	2						
30	Left handle	6835-13110	1						
31	Plate	6095-13310	1						
32	Bracket	6095-13320	1						
33	Nut	3876-14470	2						
34	Collar	6095-13330	2						
35	Washer	6095-13360	4						
36	Bolt	0225-10625	2						
37	Bolt	3883-12140	1						
38	Snap ring	04064-02512	1						
39	Band	3880-13350	1						
40	Bolt	0225-10614	3						
41	Lever ass'y	6835-13200	1						
42	Grip, right	6835-13210	1						
43	Grip, left	6835-13220	1						
44	Lever, throttle	1638-84130	1						
45	Lever, safety	1638-84140	1						
46	Lock	1638-84150	1						
47	Band	1638-84160	1						
48	Cable comp.	6835-13300	1						
49	Spring	1638-84170	1						
50	Spring	1638-84180	1						
51	Screw	0263-60620	1						
52	Nut	1638-84190	1						
53	Screw	0260-60535	1						
54	Nut	1638-84210	1						
55	Screw	1638-84220	1						
56	Blade Guard	6844-11910	1						

Fig. 2 ENGINE GROUP HT2300A

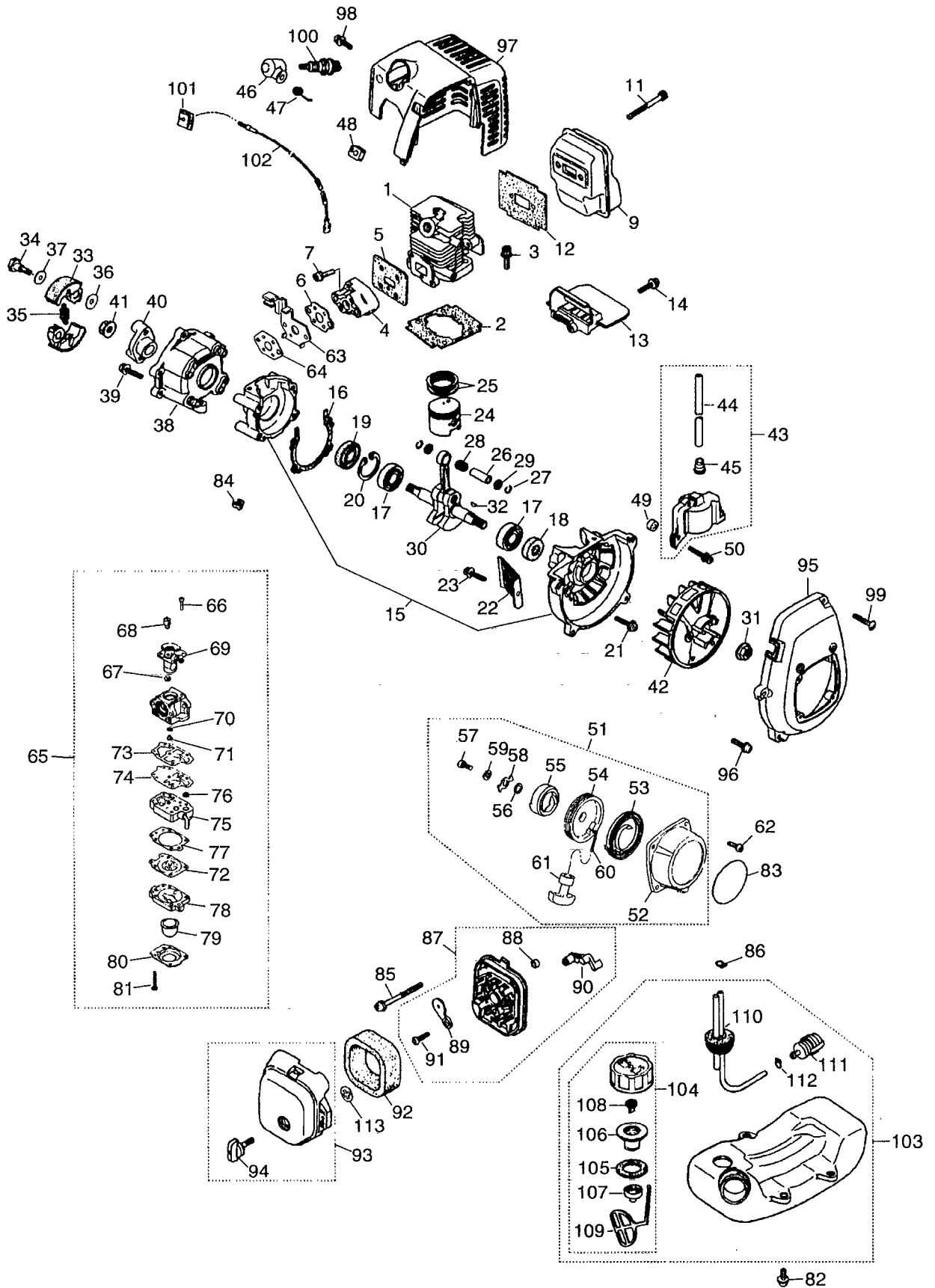


Fig. 2 ENGINE GROUP HT2300A

Key#	DESCRIPTION	PART NUMBER	Q'TY /UNIT	NOTE	Key#	DESCRIPTION	PART NUMBER	Q'TY /UNIT	NOTE
1	Cylinder	5600-12110	1		64	Gasket, carburetor	5500-13130	1	
2	Gasket, base	5500-12211	1		65	Carburetor ass'y	5628-81000	1	
3	Bolt, M5x22	1850-12130	2		66	Screw	5850-81110	2	
4	Insulator	5500-13162	1		67	Ring	1751-81130	1	
5	Gasket, insulator	5500-13120	1		68	Swivel	1881-81140	1	
6	Gasket, carb	5500-13130	1		69	Valve ass'y	5628-81150	1	
7	Screw, M5x20	0263-90520	2		70	O-ring	1751-81240	1	
8			-		71	Jet	5628-81250	1	
9	Muffler	5601-15110	1		72	Diaphragm	3310-81260	1	
10			-		73	Gasket, pump	1065-81410	1	
11	Bolt, M5x50	01252-30550	2		74	Diaphragm, pump	1065-81420	1	
12	Gasket, muffler	5600-15210	1		75	Body, pump	1850-81450	1	
13	Plate, muffler	5600-15220	1		76	Screen	3306-81380	1	
14	Screw, M4x16	0263-90416	1		77	Gasket, diaphragm	1850-81470	1	
15	Crankcase comp.	5600-21100	1		78	Body, purge	1850-81490	1	
16	Gasket, case	5500-21140	1		79	Pump, priming	1751-81510	1	
17	Bearing	06030-06001	2		80	Cover, pump	1850-81520	1	
18	Oil seal	2169-21210	1		81	Screw	1850-81530	4	
19	Oil seal	1850-21220	1		82	Screw	5500-85510	3	
20	Snap ring	04065-02812	1		83	Label, recoil	5606-91120	1	
21	Bolt, M5x30	01252-30530	4		84	Cap	1601-81810	1	
22	Guard	5500-22110	1		85	Screw, M5x60	0263-90560	2	
23	Screw, M5x14	0263-90514	1		86	Clip	1950-86120	1	
24	Piston	5600-41111	1		87	Body ass'y	5500-82102	1	
25	Ring, piston	1100-41210	2		88	Sleeve	1970-82190	2	
26	Pin, piston	1101-41310	1		89	Plate,choke	5500-82131	1	
27	Snap ring	1260-41320	2		90	Lever, choke	5500-82140	1	
28	Bearing	1140-41330	1		91	Screw	2630-33610	1	
29	Washer	1101-41340	2		92	Element	5500-82171	1	
30	Crankshaft comp.	5600-42001	1		93	Cover ass'y	5600-82201	1	
31	Nut	1650-43230	1		94	Knob	5500-82221	1	
32	Key	1000-43240	1		95	Cover, fan	5600-31110	1	
33	Shoe	1140-51111	2		96	Screw, M5x20	0263-90520	4	
34	Screw	1140-51250	2		97	Cover, engine	5600-32100	1	
35	Spring	1970-51221	1		98	Screw, M5x12	1850-32160	1	
36	Washer	1140-51230	2		99	Screw	1900-31410	1	
37	Washer	1970-51241	2		100	Spark plug	5933-73110	1	BPMR7A
38	Case, clutch	5600-52110	1		101	Grommet	1852-72120	1	
39	Screw, M5x16	0263-90516	4		102	Cord comp.	5500-73201	1	
40	Plate, clutch	5600-52150	1		103	Tank ass'y	5606-85001	1	
41	Nut	1650-43230	1		104	Cap ass'y	5606-85202	1	
42	Rotor	5600-71110	1		105	Packing	5500-85220	1	
43	Coil ass'y	5501-71201	1		106	Holder	5600-85231	1	
44	Cord	5500-71220	1		107	Cap, holder	5600-85240	1	
45	Cap	2616-71320	1		108	Valve	5600-85250	1	
46	Cap, spark plug	1900-72111	1		109	Stopper	3317-57242	1	
47	Spring	1900-72120	1		110	Pipe comp.	5500-85300	1	
48	Grommet	5500-72130	1		111	Filter ass'y	5500-85400	1	
49	Spacer	1260-71261	2		112	Clip	1260-85460	1	
50	Bolt, M4x25	3310-72150	2		113	Ring	5500-82230	1	
51	Recoil ass'y	1861-75100	1						
52	Case, recoil	1861-75110	1						
53	Spring, Spiral	1861-75120	1						
54	Reel	1861-75130	1						
55	Ratchet	1861-75141	1						
56	Washer	1861-75150	1						
57	Screw	1483-75270	1						
58	Retainer	1487-75160	1						
59	Washer	1487-75170	1						
60	Rope	1861-75180	1						
61	Knob	1490-75180	1						
62	Screw	0263-90412	4						
63	Bracket	5628-83221	1						

Fig. 3 CUTTER GROUP CHT2300B

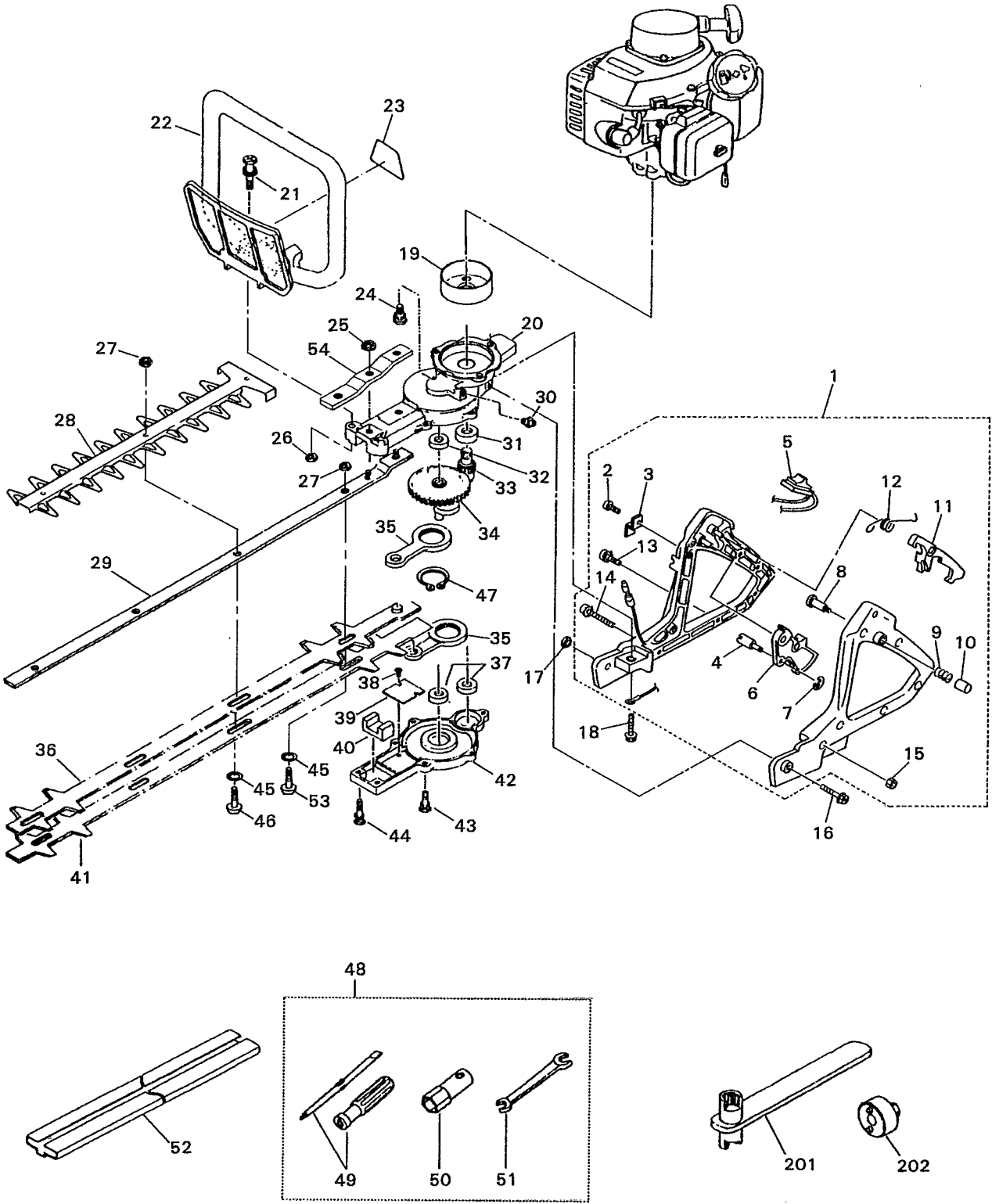


Fig. 3 CUTTER GROUP CHT2300B

Key#	DESCRIPTION	PART NUMBER	Q'TY /UNIT	NOTE	Key#	DESCRIPTION	PART NUMBER	Q'TY /UNIT	NOTE
1	Rear handle ass'y	6845-13100	1						
2	Screw, M4x10	3873-13180	1						
3	Plate	3873-13170	1						
4	Cable end	3873-13210	1						
5	Switch ass'y	6845-13130	1						
6	Throttle lever	3873-13221	1						
7	Snap ring	3873-13230	1						
8	Pin	3873-13140	1						
9	Spring	3873-13150	1						
10	Cap	3873-13160	1						
11	Stopper	6845-13310	1						
12	Spring	6845-13320	1						
13	Screw, M4x16	3873-13240	5						
14	Screw, M4x30	3873-13250	1						
15	Nut, M6	0280-10403	6						
16	Bolt, M6x50	0225-50650	1						
17	Nut, M6	0280-10605	1						
18	Bolt, M6x40	0225-50640	1						
19	Clutch drum	3884-11410	1						
20	Middle case	3873-11111	1						
21	Bolt, M6x35	0225-30635	2						
22	Front handle	3873-12102	1						
23	Label	6844-12190	1						
24	Bolt, M6x14	0225-10614	2						
25	Nut, M5	3880-11140	2						
26	Nut, M6	0280-10605	2						
27	Nut, M6U	3880-11790	4						
28	Blade Guard	6845-11910	1						
29	Guide plate	3873-11613	1						
30	Grease fitting	3199-13350	1						
31	Bearing, 6001 2RS	06004-06001	1						
32	Bearing 608Z	06001-00608	1						
33	Pinion	3884-11420	1						
34	Gear comp.	6830-11400	1						
35	Rod ass'y	3873-11500	2						
36	Upper blade	3873-11720	1						
37	Bearing, 608Z	06001-00608	2						
38	Screw, M3x5	0260-00305	2						
39	Plate	3880-11340	1						
40	Felt	3873-11320	1						
41	Lower blade	3873-11730	1						
42	Lower case	3873-11210	1						
43	Bolt, M5x16	0225-10516	5						
44	Bolt, M5x20	0225-10520	2						
45	Washer	3884-11750	3						
46	Screw, M6x19	3873-11750	4						
47	Snap ring	04064-02512	1						
48	Tool set	1111-91003	1						
49	Screwdriver	1030-91340	1						
50	Socket, Hex 3/4"	1110-91320	1						
51	Spanner, 8x10	3540-91120	1						
52	Cover, blade	6836-91140	1						
53	Screw, M6x22	3884-11660	1						
54	Plate	3876-11670	1						
201	Wrench	3880-95020	(1)	Optional part					
202	Wrench	3880-95010	(1)	Optional part					

Fig. 4 ENGINE GROUP CHT2300B

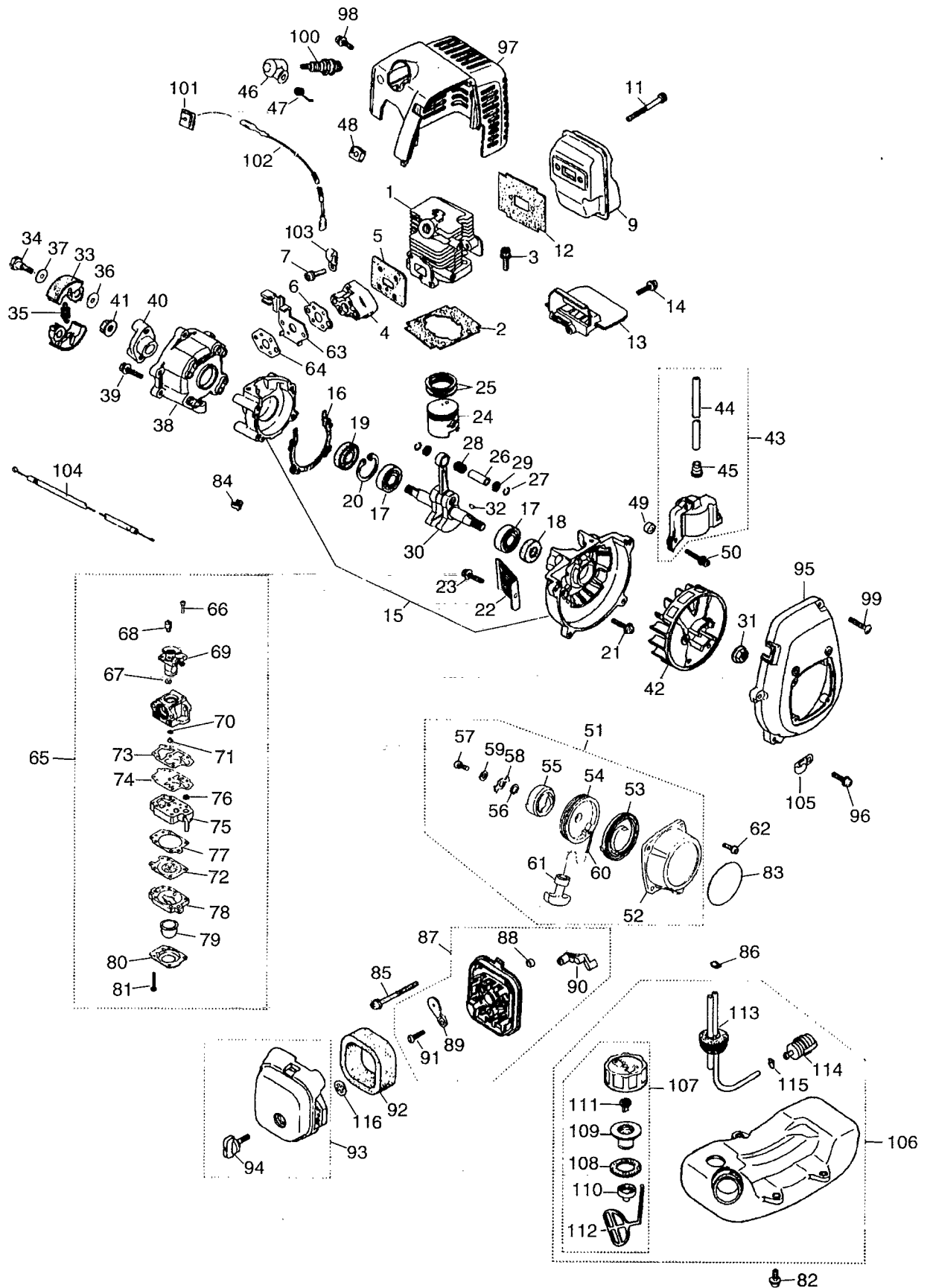


Fig. 4 ENGINE GROUP CHT2300B

Key#	DESCRIPTION	PART NUMBER	Q'TY /UNIT	NOTE	Key#	DESCRIPTION	PART NUMBER	Q'TY /UNIT	NOTE
1	Cylinder	5600-12110	1		64	Gasket, carburetor	5500-13130	1	
2	Gasket, base	5500-12211	1		65	Carburetor ass'y	5628-81000	1	
3	Bolt, M5x22	1850-12130	2		66	Screw	5850-81110	2	
4	Insulator	5500-13162	1		67	Ring	1751-81130	1	
5	Gasket, insulator	5500-13120	1		68	Swivel	1881-81140	1	
6	Gasket, carb	5500-13130	1		69	Valve ass'y	5628-81150	1	
7	Screw, M5x20	0263-90520	2		70	O-ring	1751-81240	1	
8			-		71	Jet	5628-81250	1	
9	Muffler	5601-15110	1		72	Diaphragm	3310-81260	1	
10			-		73	Gasket, pump	1065-81410	1	
11	Bolt, M5x50	01252-30550	2		74	Diaphragm, pump	1065-81420	1	
12	Gasket, muffler	5600-15210	1		75	Body, pump	1850-81450	1	
13	Plate, muffler	5600-15220	1		76	Screen	3306-81380	1	
14	Screw, M4x16	0263-90416	1		77	Gasket, diaphragm	1850-81470	1	
15	Crancase comp.	5600-21100	1		78	Body, purge	1850-81490	1	
16	Gasket, case	5500-21140	1		79	Pump, priming	1751-81510	1	
17	Bearing	06030-06001	2		80	Cover, pump	1850-81520	1	
18	Oil seal	2169-21210	1		81	Screw	1850-81530	4	
19	Oil seal	1850-21220	1		82	Screw	5500-85510	3	
20	Snap ring	04065-02812	1		83	Label, recoil	5608-91120	1	
21	Bolt, M5x30	01252-30530	4		84	Cap	1601-81810	1	
22	Guard	5500-22110	1		85	Screw, M5x60	0263-90560	2	
23	Screw, M5x14	0263-90514	1		86	Clip	1950-86120	1	
24	Piston	5600-41111	1		87	Body ass'y	5500-82102	1	
25	Ring, piston	1100-41210	2		88	Sleeve	1970-82190	2	
26	Pin, piston	1101-41310	1		89	Plate,choke	5500-82131	1	
27	Snap ring	1260-41320	2		90	Lever, choke	5500-82140	1	
28	Bearing	1140-41330	1		91	Screw	2630-33610	1	
29	Washer	1101-41340	2		92	Element	5500-82171	1	
30	Crankshaft comp.	5600-42001	1		93	Cover ass'y	5600-82201	1	
31	Nut	1650-43230	1		94	Knob	5500-82221	1	
32	Key	1000-43240	1		95	Cover, fan	5600-31110	1	
33	Shoe	1140-51111	2		96	Screw, M5x20	0263-90520	4	
34	Screw	1140-51250	2		97	Cover, engine	5600-32100	1	
35	Spring	1970-51221	1		98	Screw, M5x12	1850-32160	1	
36	Washer	1140-51230	2		99	Screw	1900-31410	1	
37	Washer	1970-51241	2		100	Spark plug	5933-73110	1	BPMR7A
38	Case, clutch	5600-52110	1		101	Grommet	1852-72120	1	
39	Screw, M5x16	0263-90516	4		102	Cord comp.	5601-73200	1	
40	Plate, clutch	5600-52150	1		103	Clamp	1140-72231	1	
41	Nut	1650-43230	1		104	Cable comp.	5601-83100	1	
42	Rotor	5600-71110	1		105	Clamp	1140-72231	1	
43	Coil ass'y	5501-71201	1		106	Tank ass'y	5606-85001	1	
44	Cord	5500-71220	1		107	Cap ass'y	5606-85202	1	
45	Cap	2616-71320	1		108	Packing	5500-85220	1	
46	Cap, spark plug	1900-72111	1		109	Holder	5600-85231	1	
47	Spring	1900-72120	1		110	Cap, holder	5600-85240	1	
48	Grommet	5500-72130	1		111	Valve	5600-85250	1	
49	Spacer	1260-71261	2		112	Stopper	3317-57242	1	
50	Bolt, M4x25	3310-72150	2		113	Pipe comp.	5500-85300	1	
51	Recoil ass'y	1861-75100	1		114	Filter ass'y	5500-85400	1	
52	Case, recoil	1861-75110	1		115	Clip	1260-85460	1	
53	Spring, Spiral	1861-75120	1		116	Ring	5500-82230	1	
54	Reel	1861-75130	1						
55	Ratchet	1861-75141	1						
56	Washer	1861-75150	1						
57	Screw	1483-75270	1						
58	Retainer	1487-75160	1						
59	Washer	1487-75170	1						
60	Rope	1861-75180	1						
61	Knob	1490-75180	1						
62	Screw	0263-90412	4						
63	Bracket	5628-83221	1						