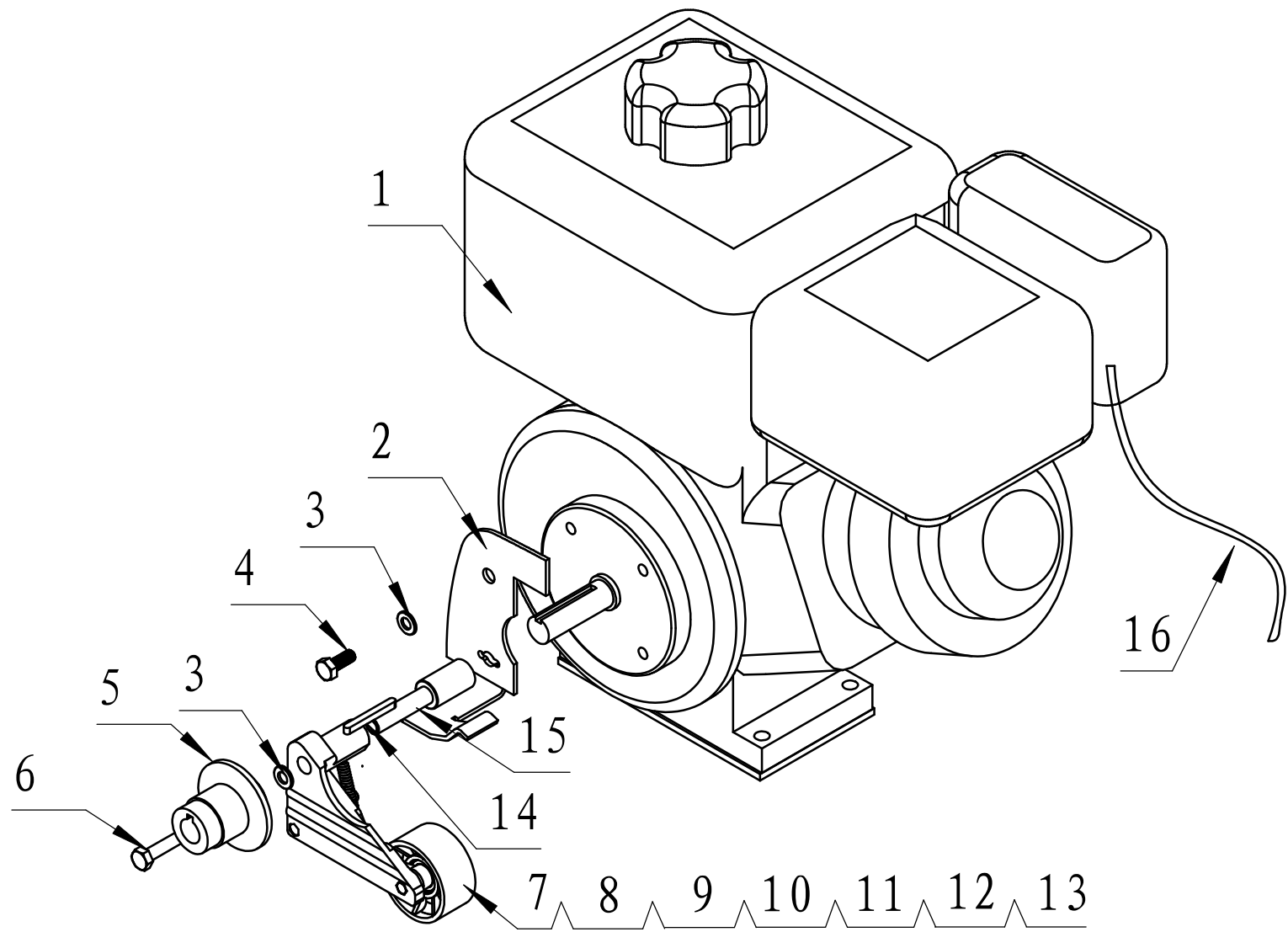
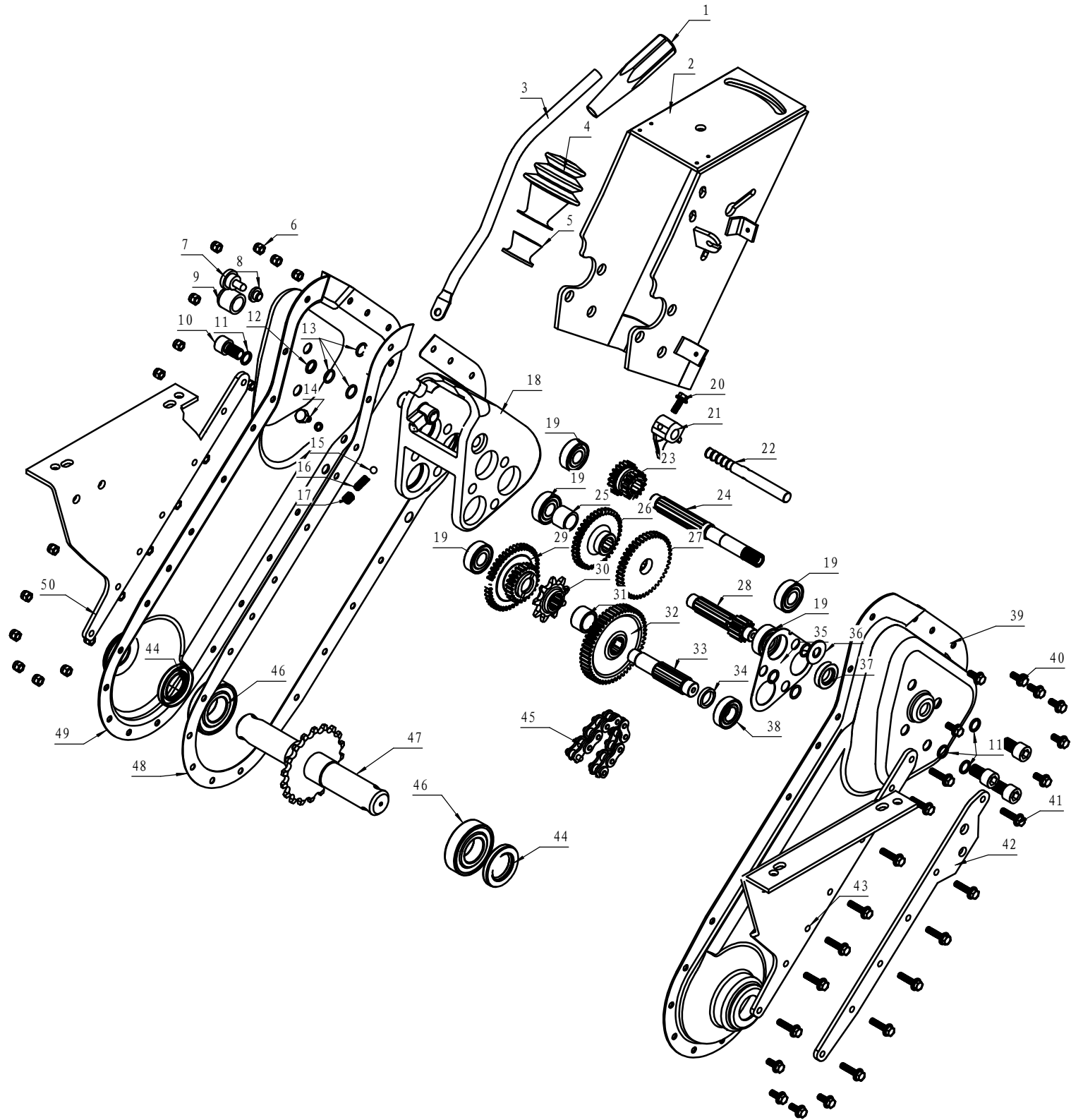


| POS | QTY | PARTNUMBER | BESKRIVELSE | DESCRIPTION |
|-----|-----|---------------|----------------------------------|---------------------------|
| 1 | 4 | 410978 | MØTRIK RUSTFRI A4 M8 | STAINLESS NUT M8 |
| 2 | 2 | 290484 | SKRUE M6X8 | SCREW M6X8 |
| 3 | 3 | 410041 | SKRUE MED INDV. 6-KT. CYL. M8X12 | ALLEN BOLT M8X12 |
| 4 | 1 | 417462 | REMSKIVE | BELT PULLEY |
| 5 | 1 | 417463 | KILEREM | V-BELT |
| 6 | 1 | 417464 | BAGPLADE | REAR PLATE |
| 7 | 6 | 90102310 | PLANSKIVE M8 FZ | FACE PLATE M8 FZ |
| 8 | 1 | 417562 | AKSEL | BUSHING |
| 9 | 3 | 90102911 | STÅLBOLT 8.8 M8X20 | STEEL BOLT M8X20 |
| 10 | 1 | 417466 | SIDESKÆRM | GUARD |
| 11 | 2 | 417467 | SKRUE 5,5X19 | ALLEN BOLT 5,5X19 |
| 12 | 1 | 410043 | SKRUE MED INDV. 6-KT. CYL. M8X20 | ALLEN BOLT M8X20 |
| 13 | 1 | 90102310 | PLANSKIVE M8 FZ | FACE PLATE M8 FZ |
| 14 | 1 | 417468 | REMSKIVE | BELT PULLEY |
| 15 | 2 | 90101115 | MASKINSKRUE 8X16 FZ | MACHINE SCREW 8X16 FZ |
| 16 | 10 | 11GB/T67M5X12 | MASKINSKRUE 5X12 | MACHINE SCREW 5X12 |
| 17 | 1 | 417573 | MOTORUNDERLAG GUMMI | FOUNDATION |
| 18 | 1 | 417470 | KNIVSKÆRM | KNIFE GUARD |
| 19 | 1 | 417471 | SKÆRMFORØGER HØJRE | GUARD HØJRE |
| 20 | 10 | 410976 | MØTRIK RUSTFRI A4 M5 | STAINLESS NUT M5 |
| 21 | 4 | 90102916 | STÅLBOLT 8.8 M8X45 | STEEL BOLT M8X45 |
| 22 | 1 | 417472 | SKÆRMFORØGER VENSTRE | GUARD VENSTRE |
| 23 | 3 | 410954 | LÅSEMØTRIK RUSTFRI A4 M10 | STAINLESS LOCKING NUT M10 |
| 24 | 2 | 417473 | BØSNING | BUSHING |
| 25 | 2 | 417474 | BØSNING | BUSHING |
| 26 | 2 | 410953 | LÅSEMØTRIK RUSTFRI A4 M8 | STAINLESS LOCKING NUT M8 |
| 27 | 1 | 417475 | KOBLINGSKABEL | CLUTCH CABLE |
| 28 | 1 | 417476 | U-BESLAG | HOLDER |
| 29 | 2 | 90102912 | STÅLBOLT 8.8 M8X25 | STEEL BOLT M8X25 |
| 30 | 1 | 413375 | UNBRAKOBOLT M10X140 | ALLEN BOLT M10X140 |
| 31 | 1 | 417477 | UNBRAKOBOLT M10X90 | ALLEN BOLT M10X90 |
| 32 | 1 | 417577 | JORDSPYD | DEBTH SKID |
| 33 | 1 | 417553 | FJEDERSPLIT | SPRING COTTER |
| 34 | 1 | 417479 | PLADE GEAR | PLATE |
| 35 | 4 | 417480 | NITTE 3X9 | RIVET 3X9 |
| 36 | 1 | 417481 | BESLAG | BRACKET |

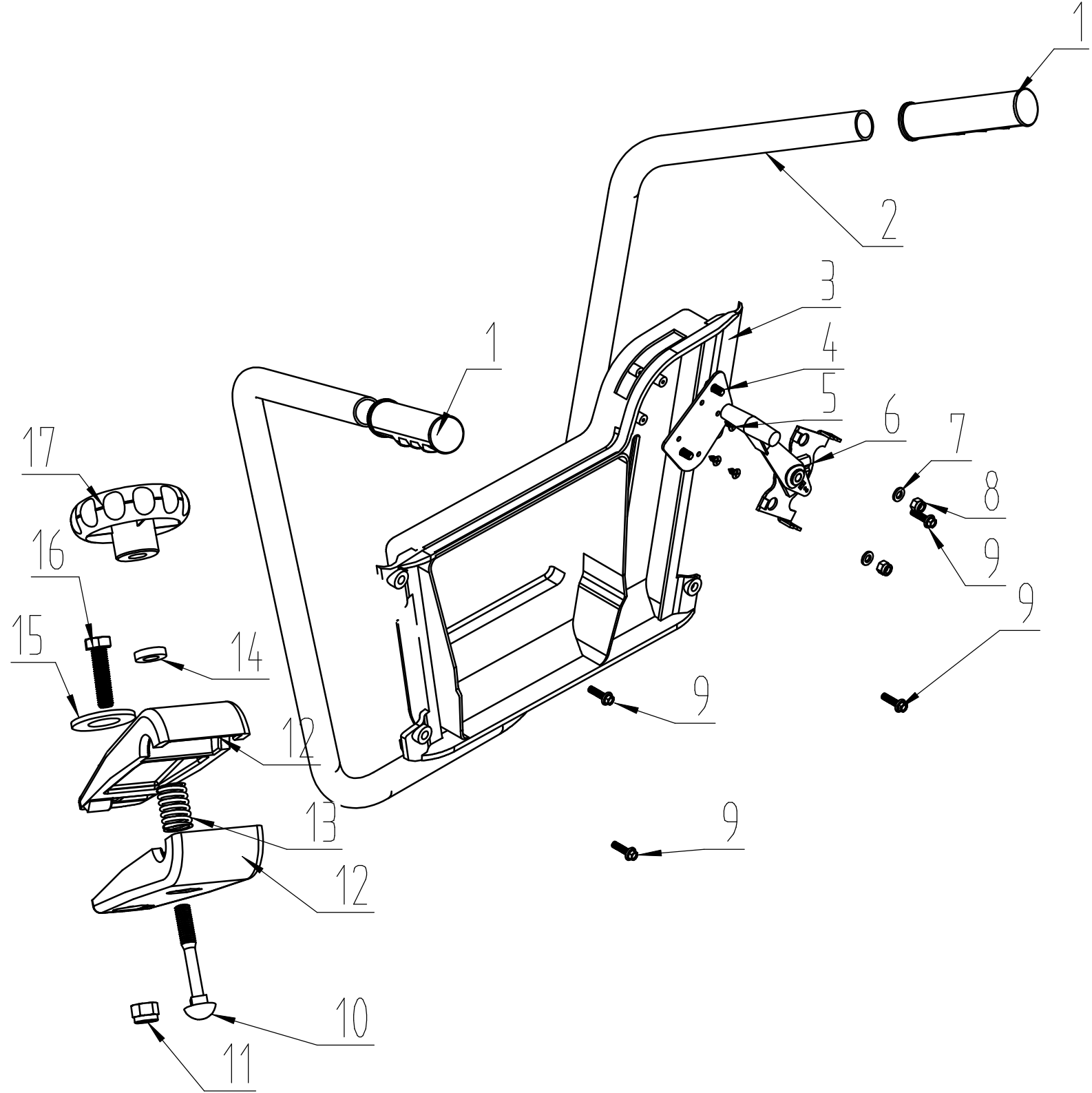


| POS | QTY | PARTNUMBER | BESKRIVELSE | DESCRIPTION |
|-----|-----|------------|-----------------------|------------------------------|
| 1 | 1 | 417574 | TG650 -FRÆSER | ENGINE |
| 2 | 1 | 417564 | BAGPLADE VISION | CASE BOARD |
| 3 | 2 | 90102310 | PLANSKIVE M8 FZ | FACE PLATE M8 FZ |
| 4 | 1 | 90102911 | STÅLBOLT 8.8 M8X20 | STEEL BOLT M8X20 |
| 5 | 1 | 417565 | MOTORREMSKIVE | ENGINE BELT WHEEL BASAL BODY |
| 6 | 1 | 417566 | STÅLBOLT M8X95 | BOLT M8X95 |
| 7 | 1 | 417567 | STØTTE ARM | SUPPORT ARM |
| 8 | 1 | 417568 | JUSTERARM | TENSIONER |
| 9 | 1 | 417569 | FJEDER | SPRING |
| 10 | 1 | 90102870 | STÅLBOLT 8.8 M5X30 FZ | STEEL BOLT M5X30 FZ |
| 11 | 1 | 90102874 | STÅLBOLT 8.8 M5X50 | STEEL BOLT M5X50 |
| 12 | 3 | 90100690 | LÅSEMØTRIK 8.8 M5 FZ | LOCKING NUT M5 FZ |
| 13 | 1 | 90102308 | PLANSKIVE M5 | FACE PLATE M5 |
| 14 | 1 | 417575 | NOT | ENGINE KEY |
| 15 | 1 | 417571 | BØS | SUPPORT ARM SHAFT |
| 16 | 1 | 417576 | KABEL | CABLE |

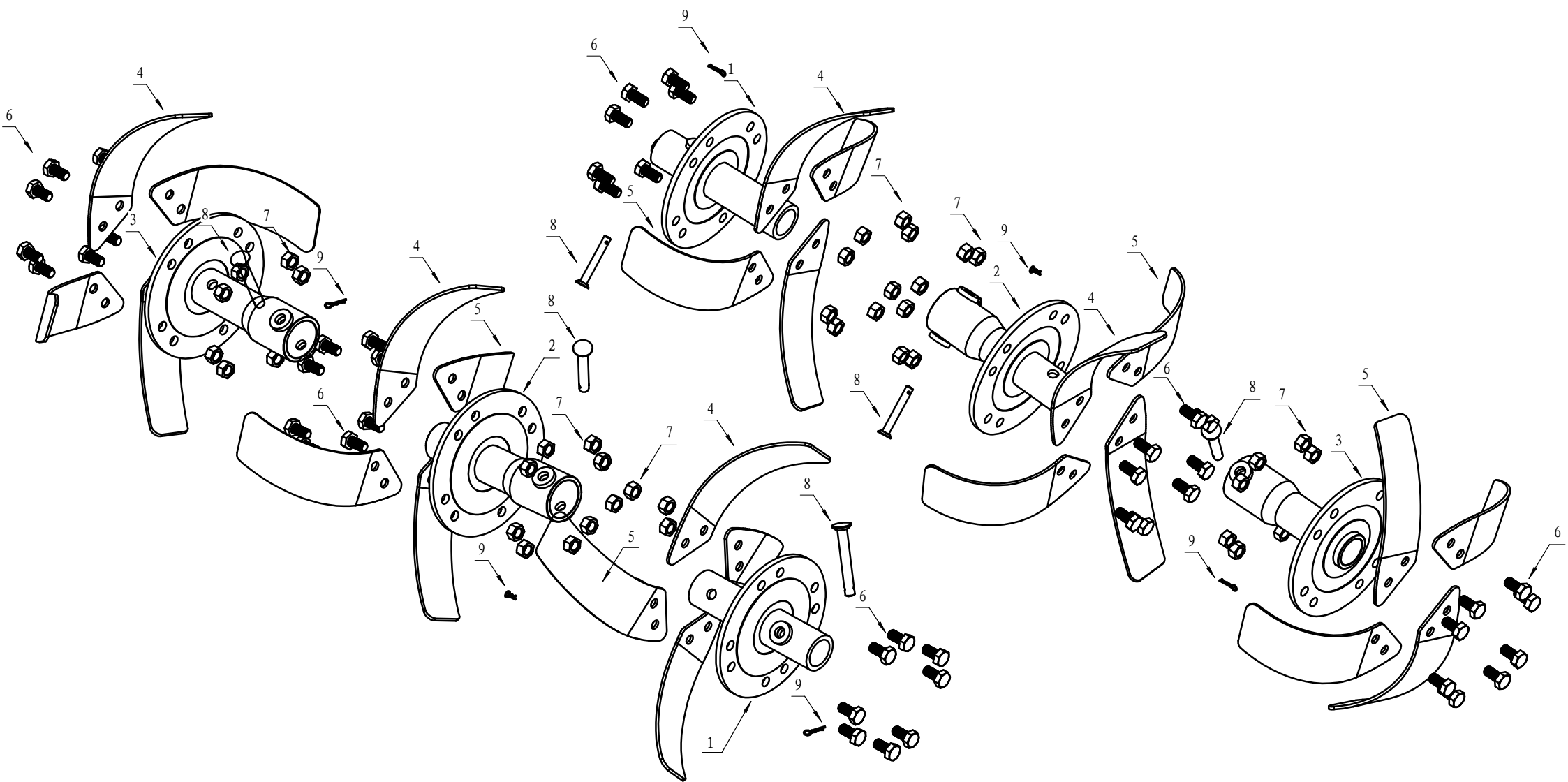


| POS | QTY | PARTNUMBER | BESKRIVELSE | DESCRIPTION |
|-----|-----|------------|----------------------------|---------------------------|
| 1 | 1 | 417492 | GREB TIL GEARSTANG | GEAR HANDLE SLEEVE |
| 2 | 1 | 417493 | PLADE | HANDLE BASE WELD ASSEMBLY |
| 3 | 1 | 417494 | GEARVÆLGER | GEAR BAR |
| 4 | 1 | 417495 | GUMMI COVER | DUST PROOF COVER |
| 5 | 1 | 417496 | HÆTTE | GEAR BAR GUARD SLEEVE |
| 6 | 24 | 410977 | MØTRIK RUSTFRI A4 M6 | STAINLESS NUT M6 |
| 7 | 1 | 417497 | OLIEPROP | PLUG |
| 8 | 1 | 417498 | BØSNING FOR PROP | PLUG |
| 9 | 1 | 417499 | BØS | SUPPORT GLAND COVER |
| 10 | 6 | 417500 | SKRUE MED INDV. M12X20 | SCREW M12X20 |
| 11 | 6 | 11GB859 | FJEDERSKIVE M12 | SPRING COLLAR M12 |
| 12 | 1 | 417501 | O-RING 18,5X1,8 18,5X1,8 | O-RING 18.5X1.8 |
| 13 | 6 | 417502 | O-RING 12,5X1,8 12,5X1,8 | O-RING 12.5X1.8 |
| 14 | 1 | 417503 | BOLT GEAR | GEAR BOLT |
| 15 | 1 | 417504 | STÅLKUGLE 25,4/4MM | STEEL BALL 25.4/4MM |
| 16 | 1 | 417505 | FJEDER | SPRING |
| 17 | 1 | 417506 | SKRUE M8X8 | SCREW M8X8 |
| 18 | 1 | 417507 | PLADE | SUPPORT |
| 19 | 5 | 417508 | KUGLELEJE 6202-2RS | BEARING 6202-2RS |
| 20 | 1 | 90102883 | STÅLBOLT 8.8 M6X20 FZ | STEEL BOLT M6X20 FZ |
| 21 | 1 | 417509 | SKIFTEARM | FORK |
| 22 | 1 | 417510 | SKIFTAKSEL | SLIDE BAR |
| 23 | 1 | 417511 | TANDHJUL DOBBELT | SMALL DOUBLE CHAIN WHEEL |
| 24 | 1 | 417512 | PRIMÆR AKSEL | SHAFT |
| 25 | 1 | 417513 | BØS | SHATF ? BUSHING |
| 26 | 1 | 417514 | TANDHJUL GEAR 40 | 40 GEAR |
| 27 | 1 | 417515 | TANDHJUL GEAR 44 | 44 GEAR |
| 28 | 1 | 417516 | SEKUNDÆR AKSEL | SHAFT |
| 29 | 1 | 417517 | TANDHJUL DOBBELT | DOUBLE CHAIN WHEEL |
| 30 | 1 | 417518 | TANDHJUL | SMALL CHAIN WHEEL |
| 31 | 1 | 417519 | BØS | SMALL CHAIN WHEEL WAHSER |
| 32 | 1 | 417520 | TANDHJUL GEAR 52 | 52 GEAR |
| 33 | 1 | 417521 | AKSEL | SHAFT |
| 34 | 1 | 417522 | SKIVE GEAR 52 | 52 GEAR WAHSER |
| 35 | 1 | 417523 | PAKNING | TRIGONAL WASHER |
| 36 | 1 | 417524 | PAKDÅSE 12X24X7 12X24X7 | RING 12X24X7 |
| 37 | 1 | 417525 | PAKDÅSE 15X30X7 15X30X7 | RING 15X30X7 |
| 38 | 1 | 417526 | KUGLELEJE 6003-2RS | BEARING 6003-2RS |
| 39 | 1 | 417527 | GEARHUS VENSTRE | CHAIN BOX BOAY SHELL(L) |
| 40 | 11 | 417528 | FLANGEBOLT M6X14 | BOLT M6X14 |
| 41 | 13 | 292024 | FLANGEBOLT M6X25 | COLLAR BOLT M6X25 |
| 42 | 2 | 417529 | PLADE STØTTE | GUARD BOARD |
| 43 | 1 | 417530 | VENSTRE STØTTE UNDER MOTOR | SUPPORT BOARD(L) |
| 44 | 2 | 417531 | PAKDÅSE 30X50X7 30X50X7 | RING 30X50X7 |
| 45 | 1 | 417532 | KÆDE | CHAIN |
| 46 | 2 | 417533 | KUGLELEJE 6206-2RS | BEARING 6206-2RS |
| 47 | 1 | 417534 | UDGANGSAKSEL | OUTPUT SHAFT WELDED |

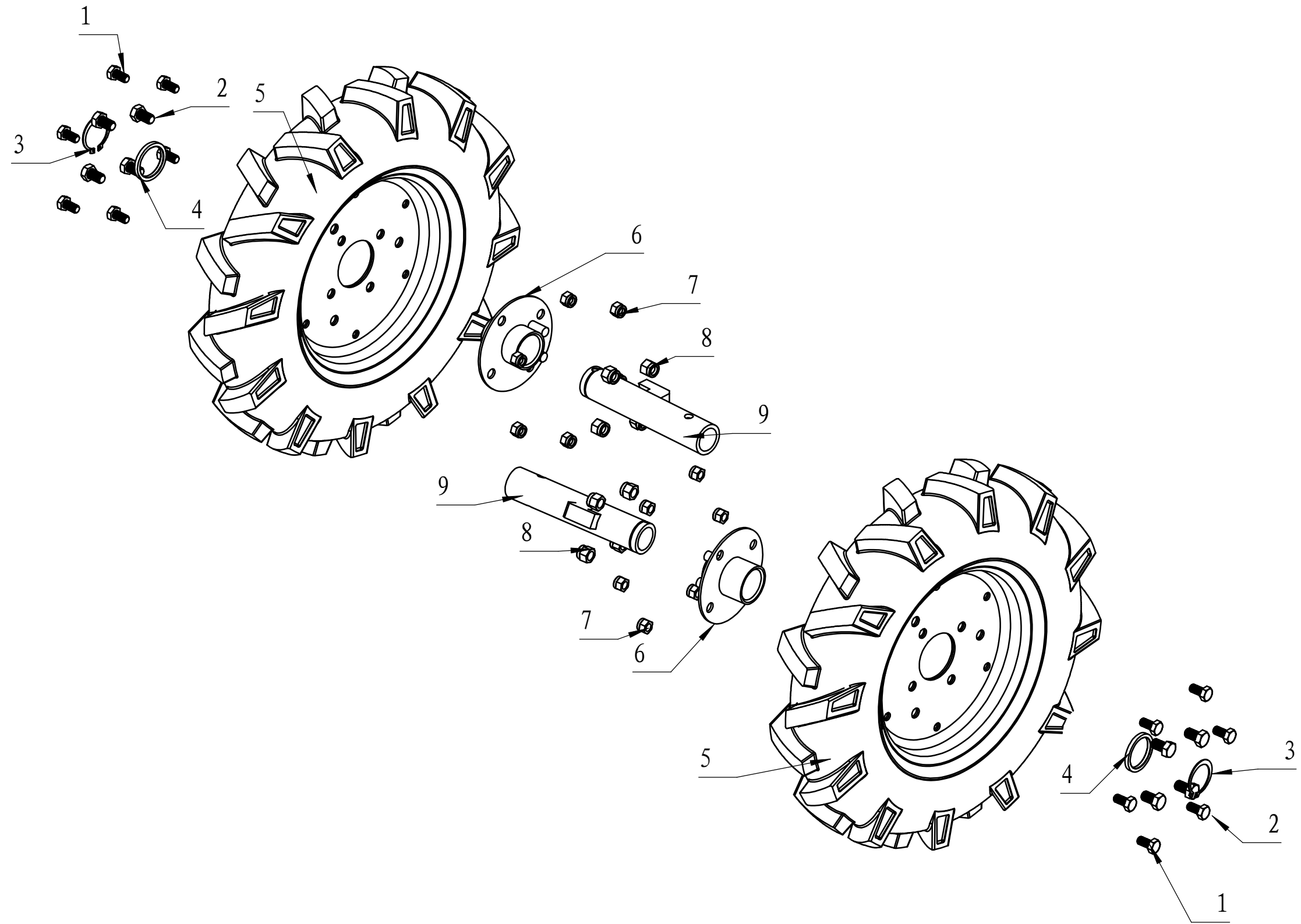
| POS | QTY | PARTNUMBER | BESKRIVELSE | DESCRIPTION |
|-----|-----|------------|-----------------------------|-------------------------|
| 48 | 1 | 417535 | PAKNING | WASHER |
| 49 | 1 | 417536 | GEARHUS HØJRE | CHAIN BOX BOAY SHELL(R) |
| 50 | 1 | 417537 | HØJRE STØTTE UNDER MOTOR | SUPPORT BOARD(R) |



| POS | QTY | PARTNUMBER | BESKRIVELSE | DESCRIPTION |
|-----|-----|------------|-----------------------------------|--------------------------|
| 1 | 2 | 417538 | GREB | HANDLE SLEEVE |
| 2 | 1 | 417539 | STYR | HANDLE WELDING |
| 3 | 1 | 417540 | BRYSTPLADE VISION 700 | PLASTIC BOARD |
| 4 | 1 | 417541 | BESLAG TIL GASKABEL PANELPLADE | ACCELERATOR CABLE BASE |
| 5 | 4 | 90101086 | MASKINSKRUE 4X10 | MACHINE SCREW 4X10 |
| 6 | 1 | 417542 | GASGREB TIL BRYSTPLADE | ACCELERATOR HANDLE |
| 7 | 2 | 90102309 | PLANSKIVE M6 FZ | FACE PLATE M6 FZ |
| 8 | 2 | 410952 | LÅSEMØTRIK RUSTFRI A4 M6 | STAINLESS LOCKING NUT M6 |
| 9 | 4 | 417467 | SKRUE 5,5X19 | SCREW ST5.5X19 |
| 10 | 1 | 90100122 | BRÆDDEBOLT 8.8 M10X75 FZ | CARRIAGE BOLT M10X75 FZ |
| 11 | 1 | 410979 | MØTRIK RUSTFRI A4 M10 | STAINLESS NUT M10 |
| 12 | 2 | 417543 | HOLDER TIL STYR | CAST IRON CLAMP |
| 13 | 1 | 417544 | TRYKFJEDER | SPRING |
| 14 | 1 | 90102311 | PLANSKIVE M10.X21.X5. | FACE PLATE M10.X21.X5. |
| 15 | 1 | 90102311 | PLANSKIVE M10.X21.X5. | FACE PLATE M10.X21.X5. |
| 16 | 1 | 90102943 | STÅLBOLT 8.8 M10X45 FZ | STEEL BOLT M10X45 FZ |
| 17 | 1 | 417545 | HÅNDHJUL | LOCK HANDLE |



| POS | QTY | PARTNUMBER | BESKRIVELSE | DESCRIPTION |
|-----|-----|------------|-----------------------|---------------------|
| 1 | 2 | 417546 | KNIV INDER | KNIFE ASSEMBLY(I) |
| 2 | 2 | 417547 | KNIV MIDT | KNIFE ASSEMBLY(M) |
| 3 | 2 | 417548 | KNIV YDRE | KNIFE ASSEMBLY(O) |
| 4 | 12 | 417549 | KNIVBLAD VENSTRE | KNIFE(L) |
| 5 | 12 | 417550 | KNIVBLAD HØJRE | KNIFE(R) |
| 6 | 48 | 90102938 | STÅLBOLT 8.8 M10X20 | STEEL BOLT M10X20 |
| 7 | 48 | 410979 | MØTRIK RUSTFRI A4 M10 | STAINLESS NUT M10 |
| 8 | 6 | 417551 | SPLITBOLT | JOINT PIN ROLL |
| 9 | 6 | 417552 | FJEDERSPLIT | CLAMP |



| POS | QTY | PARTNUMBER | BESKRIVELSE | DESCRIPTION |
|-----|-----|------------|-----------------------|------------------------|
| 1 | 12 | 90102938 | STÅLBOLT 8.8 M10X20 | STEEL BOLT M10X20 |
| 2 | 8 | 407713 | STÅLBOLT M12X20X1.25 | STEEL BOLT M12X20X1.25 |
| 3 | 2 | 417580 | HESTESKOSIKRING | CIRCLIPS FOR SHAFT |
| 4 | 2 | 417581 | SKIVE | WHEEL SHAFT WASHER |
| 5 | 2 | 417582 | HJUL | TIRE |
| 6 | 2 | 417583 | AKSELBESLAG | WHEEL SHAFT WELDING |
| 7 | 12 | 90102199 | TANDSKIVE M10 | TOOTHED DISC M10 |
| 8 | 8 | 90102200 | TANDSKIVE YDRE M12 FZ | TOOTHED DISC M12 FZ |
| 9 | 2 | 417584 | AKSEL | TIRE JOIN WELDING |