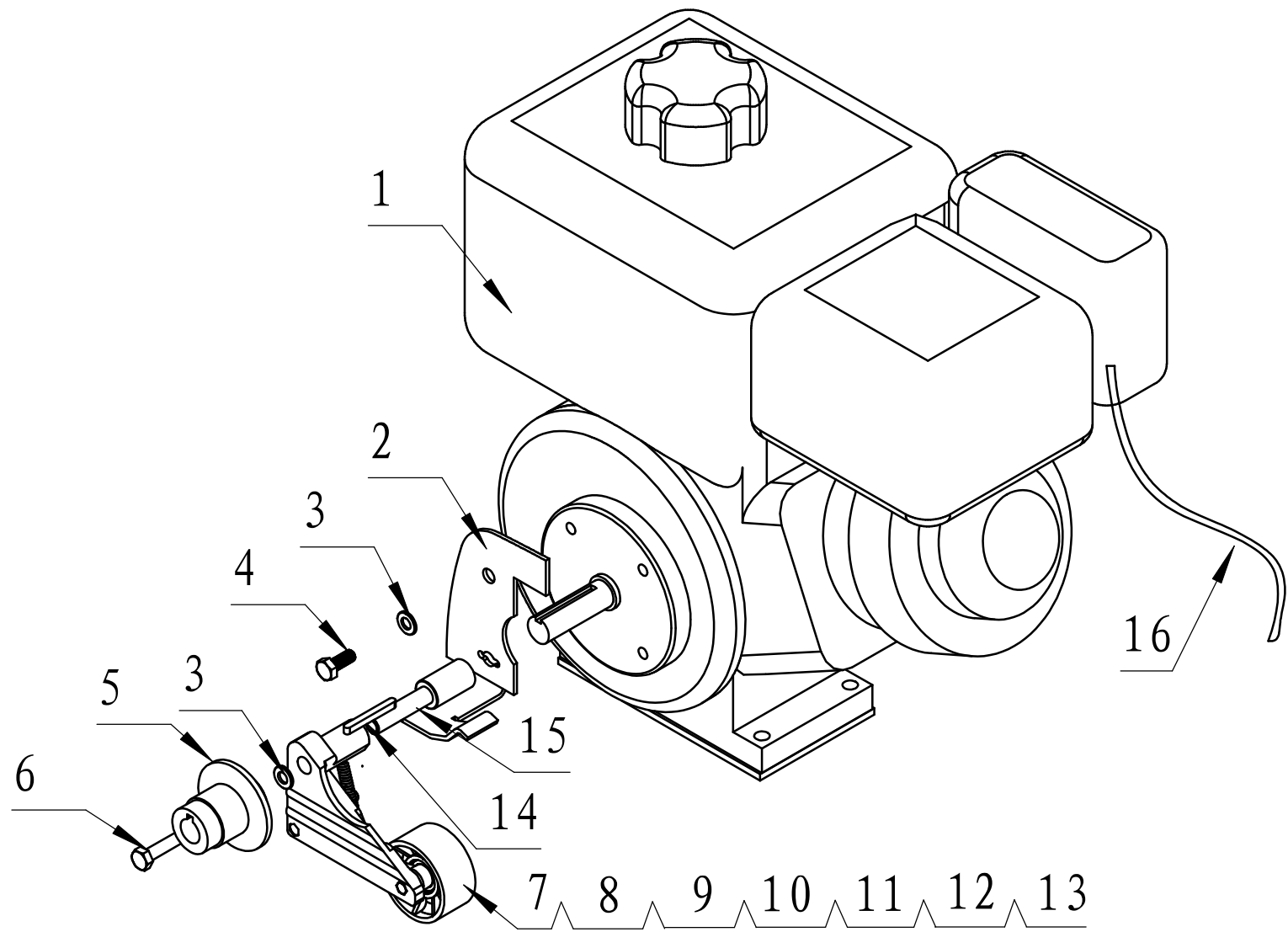
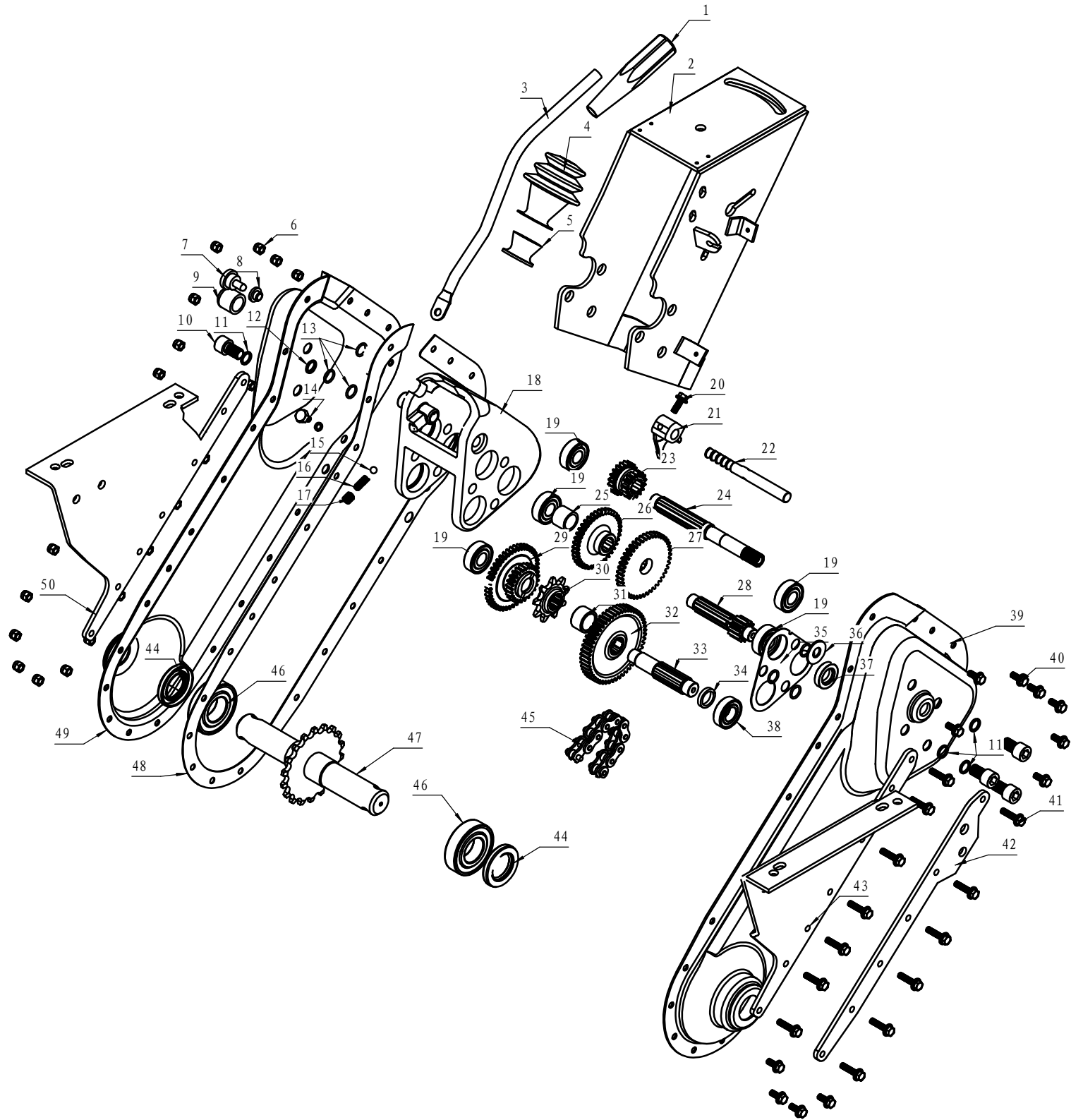


| POS | QTY | PARTNUMBER    | BESKRIVELSE                      | DESCRIPTION                 |
|-----|-----|---------------|----------------------------------|-----------------------------|
| 1   | 4   | 410978        | MØTRIK RUSTFRI A4 M8             | STAINLESS NUT M8            |
| 2   | 2   | 290484        | SKRUE M6X8                       | SCREW M6X8                  |
| 3   | 3   | 410041        | SKRUE MED INDV. 6-KT. CYL. M8X12 | ALLEN BOLT M8X12            |
| 4   | 1   | 417462        | REMSKIVE                         | ENGINE BELT WHEEL GUARD     |
| 5   | 1   | 417463        | KILEREM                          | VARIABLE SPEED BELT         |
| 6   | 1   | 417464        | BAGPLADE                         | GUARD BOARD(INNER)          |
| 7   | 6   | 90102310      | PLANSKIVE M8 FZ                  | FACE PLATE M8 FZ            |
| 8   | 1   | 417465        | AKSEL                            | GUARD SUPPORT SHAFT         |
| 9   | 3   | 90102911      | STÅLBOLT 8.8 M8X20               | STEEL BOLT M8X20            |
| 10  | 1   | 417466        | SIDESKÆRM                        | BELT WHEEL COVER            |
| 11  | 2   | 417467        | SKRUE 5,5X19                     | SCREW ST5.5X19              |
| 12  | 1   | 410043        | SKRUE MED INDV. 6-KT. CYL. M8X20 | ALLEN BOLT M8X20            |
| 13  | 1   | 90102310      | PLANSKIVE M8 FZ                  | FACE PLATE M8 FZ            |
| 14  | 1   | 417468        | REMSKIVE                         | BELT WHEEL                  |
| 15  | 2   | 90101115      | MASKINSKRUE 8X16 FZ              | MACHINE SCREW 8X16 FZ       |
| 16  | 10  | 11GB/T67M5X12 | MASKINSKRUE 5X12                 | MACHINE SCREW 5X12          |
| 17  | 1   | 417469        | MOTORUNDERLAG GUMMI              | RUBBER WASHER               |
| 18  | 1   | 417470        | KNIVSKÆRM                        | GUARD WELDING               |
| 19  | 1   | 417471        | SKÆRMFORØGER HØJRE               | GUARD BOARD(RIGHT)          |
| 20  | 10  | 410976        | MØTRIK RUSTFRI A4 M5             | STAINLESS NUT M5            |
| 21  | 4   | 90102916      | STÅLBOLT 8.8 M8X45               | STEEL BOLT M8X45            |
| 22  | 1   | 417472        | SKÆRMFORØGER VENSTRE             | GUARD BOARD(LEFT)           |
| 23  | 3   | 410954        | LÅSEMØTRIK RUSTFRI A4 M10        | STAINLESS LOCKING NUT M10   |
| 24  | 2   | 417473        | BØSNING                          | GUARD COVER SPACER          |
| 25  | 2   | 417474        | BØSNING                          | FRONT TABLE SPACER          |
| 26  | 5   | 410953        | LÅSEMØTRIK RUSTFRI A4 M8         | STAINLESS LOCKING NUT M8    |
| 27  | 1   | 417475        | KOBLINGSKABEL                    | CLUTCH CABLE                |
| 28  | 1   | 417476        | U-BESLAG                         | FRONT TABLE WELDED BRACKET  |
| 29  | 2   | 90102912      | STÅLBOLT 8.8 M8X25               | STEEL BOLT M8X25            |
| 30  | 1   | 413375        | UNBRAKOBOLT M10X140              | ALLEN BOLT M10X140          |
| 31  | 1   | 417477        | UNBRAKOBOLT M10X90               | SCREW M10X90                |
| 32  | 1   | 417478        | JORDSPYD                         | DEPTH SKID                  |
| 33  | 1   | 90102938      | STÅLBOLT 8.8 M10X20              | STEEL BOLT M10X20           |
| 34  | 1   | 417479        | PLADE GEAR                       | GEAR PLATE                  |
| 35  | 4   | 417480        | NITTE 3X9                        | RIVET 3X9                   |
| 36  | 1   | 417481        | BESLAG                           | BELT LOCATION WELDING BLOCK |

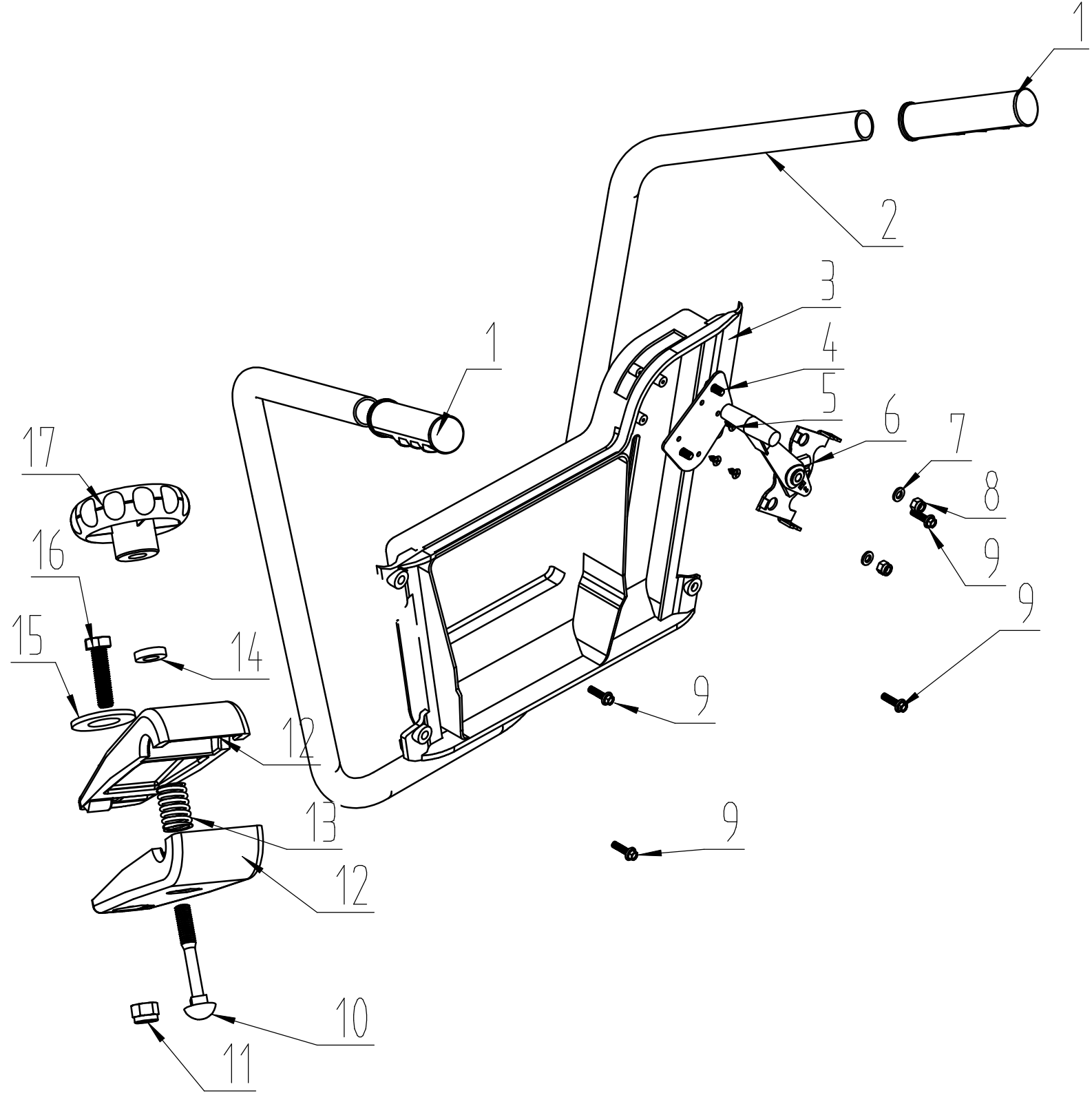


| POS | QTY | PARTNUMBER | BESKRIVELSE           | DESCRIPTION                  |
|-----|-----|------------|-----------------------|------------------------------|
| 1   | 1   | 417574     | TG650 -FRÆSER         | ENGINE                       |
| 2   | 1   | 417564     | BAGPLADE VISION       | CASE BOARD                   |
| 3   | 2   | 90102310   | PLANSKIVE M8 FZ       | FACE PLATE M8 FZ             |
| 4   | 1   | 90102911   | STÅLBOLT 8.8 M8X20    | STEEL BOLT M8X20             |
| 5   | 1   | 417565     | MOTORREMSKIVE         | ENGINE BELT WHEEL BASAL BODY |
| 6   | 1   | 417566     | STÅLBOLT M8X95        | BOLT M8X95                   |
| 7   | 1   | 417567     | STØTTE ARM            | SUPPORT ARM                  |
| 8   | 1   | 417568     | JUSTERARM             | TENSIONER                    |
| 9   | 1   | 417569     | FJEDER                | SPRING                       |
| 10  | 1   | 90102870   | STÅLBOLT 8.8 M5X30 FZ | STEEL BOLT M5X30 FZ          |
| 11  | 1   | 90102874   | STÅLBOLT 8.8 M5X50    | STEEL BOLT M5X50             |
| 12  | 3   | 90100690   | LÅSEMØTRIK 8.8 M5 FZ  | LOCKING NUT M5 FZ            |
| 13  | 1   | 90102308   | PLANSKIVE M5          | FACE PLATE M5                |
| 14  | 1   | 417575     | NOT                   | ENGINE KEY                   |
| 15  | 1   | 417571     | BØS                   | SUPPORT ARM SHAFT            |
| 16  | 1   | 417576     | KABEL                 | CABLE                        |



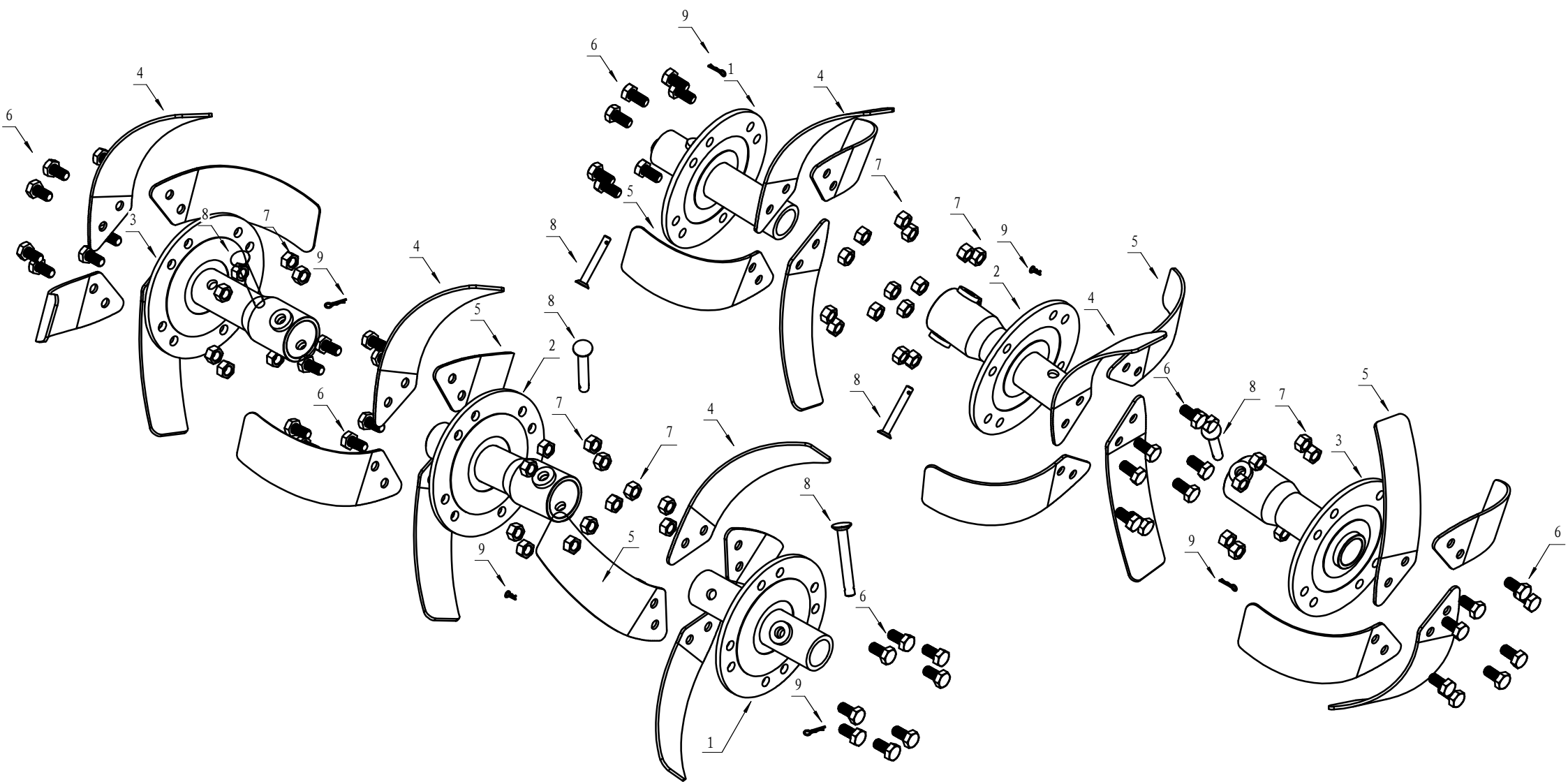
| POS | QTY | PARTNUMBER | BESKRIVELSE                | DESCRIPTION               |
|-----|-----|------------|----------------------------|---------------------------|
| 1   | 1   | 417492     | GREB TIL GEARSTANG         | GEAR HANDLE SLEEVE        |
| 2   | 1   | 417493     | PLADE                      | HANDLE BASE WELD ASSEMBLY |
| 3   | 1   | 417494     | GEARVÆLGER                 | GEAR BAR                  |
| 4   | 1   | 417495     | GUMMI COVER                | DUST PROOF COVER          |
| 5   | 1   | 417496     | HÆTTE                      | GEAR BAR GUARD SLEEVE     |
| 6   | 24  | 410977     | MØTRIK RUSTFRI A4 M6       | STAINLESS NUT M6          |
| 7   | 1   | 417497     | OLIEPROP                   | PLUG                      |
| 8   | 1   | 417498     | BØSNING FOR PROP           | PLUG                      |
| 9   | 1   | 417499     | BØS                        | SUPPORT GLAND COVER       |
| 10  | 6   | 417500     | SKRUE MED INDV. M12X20     | SCREW M12X20              |
| 11  | 6   | 11GB859    | FJEDERSKIVE M12            | SPRING COLLAR M12         |
| 12  | 1   | 417501     | O-RING 18,5X1,8 18,5X1,8   | O-RING 18.5X1.8           |
| 13  | 6   | 417502     | O-RING 12,5X1,8 12,5X1,8   | O-RING 12.5X1.8           |
| 14  | 1   | 417503     | BOLT GEAR                  | GEAR BOLT                 |
| 15  | 1   | 417504     | STÅLKUGLE 25,4/4MM         | STEEL BALL 25.4/4MM       |
| 16  | 1   | 417505     | FJEDER                     | SPRING                    |
| 17  | 1   | 417506     | SKRUE M8X8                 | SCREW M8X8                |
| 18  | 1   | 417507     | PLADE                      | SUPPORT                   |
| 19  | 5   | 417508     | KUGLELEJE 6202-2RS         | BEARING 6202-2RS          |
| 20  | 1   | 90102883   | STÅLBOLT 8.8 M6X20 FZ      | STEEL BOLT M6X20 FZ       |
| 21  | 1   | 417509     | SKIFTEARM                  | FORK                      |
| 22  | 1   | 417510     | SKIFTAKSEL                 | SLIDE BAR                 |
| 23  | 1   | 417511     | TANDHJUL DOBBELT           | SMALL DOUBLE CHAIN WHEEL  |
| 24  | 1   | 417512     | PRIMÆR AKSEL               | SHAFT                     |
| 25  | 1   | 417513     | BØS                        | SHATF ? BUSHING           |
| 26  | 1   | 417514     | TANDHJUL GEAR 40           | 40 GEAR                   |
| 27  | 1   | 417515     | TANDHJUL GEAR 44           | 44 GEAR                   |
| 28  | 1   | 417516     | SEKUNDÆR AKSEL             | SHAFT                     |
| 29  | 1   | 417517     | TANDHJUL DOBBELT           | DOUBLE CHAIN WHEEL        |
| 30  | 1   | 417518     | TANDHJUL                   | SMALL CHAIN WHEEL         |
| 31  | 1   | 417519     | BØS                        | SMALL CHAIN WHEEL WAHSER  |
| 32  | 1   | 417520     | TANDHJUL GEAR 52           | 52 GEAR                   |
| 33  | 1   | 417521     | AKSEL                      | SHAFT                     |
| 34  | 1   | 417522     | SKIVE GEAR 52              | 52 GEAR WAHSER            |
| 35  | 1   | 417523     | PAKNING                    | TRIGONAL WASHER           |
| 36  | 1   | 417524     | PAKDÅSE 12X24X7 12X24X7    | RING 12X24X7              |
| 37  | 1   | 417525     | PAKDÅSE 15X30X7 15X30X7    | RING 15X30X7              |
| 38  | 1   | 417526     | KUGLELEJE 6003-2RS         | BEARING 6003-2RS          |
| 39  | 1   | 417527     | GEARHUS VENSTRE            | CHAIN BOX BOAY SHELL(L)   |
| 40  | 11  | 417528     | FLANGEBOLT M6X14           | BOLT M6X14                |
| 41  | 13  | 292024     | FLANGEBOLT M6X25           | COLLAR BOLT M6X25         |
| 42  | 2   | 417529     | PLADE STØTTE               | GUARD BOARD               |
| 43  | 1   | 417530     | VENSTRE STØTTE UNDER MOTOR | SUPPORT BOARD(L)          |
| 44  | 2   | 417531     | PAKDÅSE 30X50X7 30X50X7    | RING 30X50X7              |
| 45  | 1   | 417532     | KÆDE                       | CHAIN                     |
| 46  | 2   | 417533     | KUGLELEJE 6206-2RS         | BEARING 6206-2RS          |
| 47  | 1   | 417534     | UDGANGSAKSEL               | OUTPUT SHAFT WELDED       |

| POS | QTY | PARTNUMBER | BESKRIVELSE                 | DESCRIPTION             |
|-----|-----|------------|-----------------------------|-------------------------|
| 48  | 1   | 417535     | PAKNING                     | WASHER                  |
| 49  | 1   | 417536     | GEARHUS HØJRE               | CHAIN BOX BOAY SHELL(R) |
| 50  | 1   | 417537     | HØJRE STØTTE UNDER<br>MOTOR | SUPPORT BOARD(R)        |

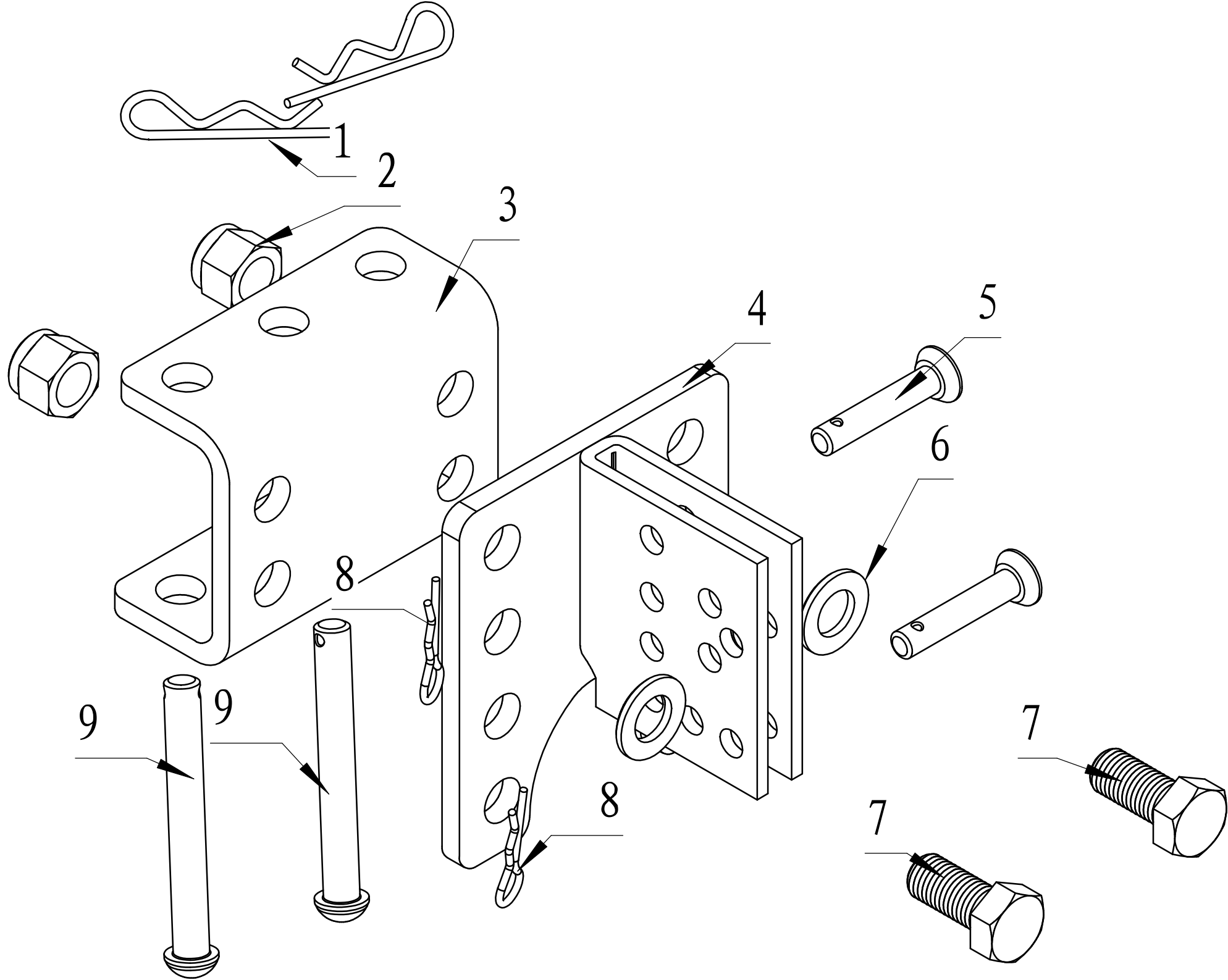




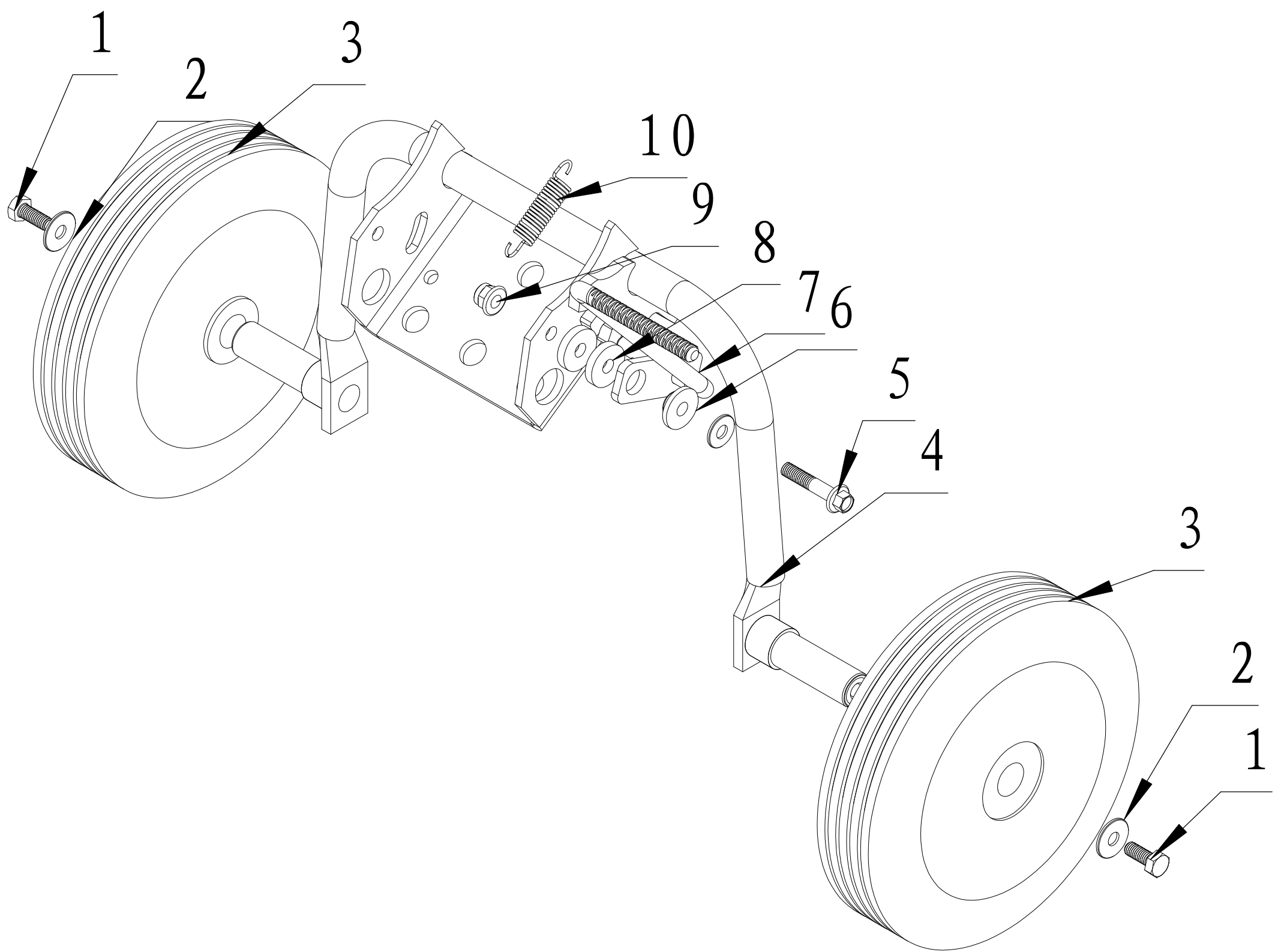
| POS | QTY | PARTNUMBER | BESKRIVELSE                       | DESCRIPTION              |
|-----|-----|------------|-----------------------------------|--------------------------|
| 1   | 2   | 417538     | GREB                              | HANDLE SLEEVE            |
| 2   | 1   | 417539     | STYR                              | HANDLE WELDING           |
| 3   | 1   | 417540     | BRYSTPLADE VISION 700             | PLASTIC BOARD            |
| 4   | 1   | 417541     | BESLAG TIL GASKABEL<br>PANELPLADE | ACCELERATOR CABLE BASE   |
| 5   | 4   | 90101086   | MASKINSKRUE 4X10                  | MACHINE SCREW 4X10       |
| 6   | 1   | 417542     | GASGREB TIL BRYSTPLADE            | ACCELERATOR HANDLE       |
| 7   | 2   | 90102309   | PLANSKIVE M6 FZ                   | FACE PLATE M6 FZ         |
| 8   | 2   | 410952     | LÅSEMØTRIK RUSTFRI A4 M6          | STAINLESS LOCKING NUT M6 |
| 9   | 4   | 417467     | SKRUE 5,5X19                      | SCREW ST5.5X19           |
| 10  | 1   | 90100122   | BRÆDDEBOLT 8.8 M10X75 FZ          | CARRIAGE BOLT M10X75 FZ  |
| 11  | 1   | 410979     | MØTRIK RUSTFRI A4 M10             | STAINLESS NUT M10        |
| 12  | 2   | 417543     | HOLDER TIL STYR                   | CAST IRON CLAMP          |
| 13  | 1   | 417544     | TRYKFJEDER                        | SPRING                   |
| 14  | 1   | 90102311   | PLANSKIVE M10.X21.X5.             | FACE PLATE M10.X21.X5.   |
| 15  | 1   | 90102311   | PLANSKIVE M10.X21.X5.             | FACE PLATE M10.X21.X5.   |
| 16  | 1   | 90102943   | STÅLBOLT 8.8 M10X45 FZ            | STEEL BOLT M10X45 FZ     |
| 17  | 1   | 417545     | HÅNDHJUL                          | LOCK HANDLE              |



| POS | QTY | PARTNUMBER | BESKRIVELSE           | DESCRIPTION         |
|-----|-----|------------|-----------------------|---------------------|
| 1   | 2   | 417546     | KNIV INDER            | KNIFE ASSEMBLY( I ) |
| 2   | 2   | 417547     | KNIV MIDT             | KNIFE ASSEMBLY(M)   |
| 3   | 2   | 417548     | KNIV YDRE             | KNIFE ASSEMBLY(O)   |
| 4   | 12  | 417549     | KNIVBLAD VENSTRE      | KNIFE(L)            |
| 5   | 12  | 417550     | KNIVBLAD HØJRE        | KNIFE(R)            |
| 6   | 48  | 90102938   | STÅLBOLT 8.8 M10X20   | STEEL BOLT M10X20   |
| 7   | 48  | 410979     | MØTRIK RUSTFRI A4 M10 | STAINLESS NUT M10   |
| 8   | 6   | 417551     | SPLITBOLT             | JOINT PIN ROLL      |
| 9   | 6   | 417552     | FJEDERSPLIT           | CLAMP               |



| POS | QTY | PARTNUMBER | BESKRIVELSE             | DESCRIPTION              |
|-----|-----|------------|-------------------------|--------------------------|
| 1   | 2   | 417553     | FJEDERSPLIT             | CLAMP                    |
| 2   | 2   | 410981     | MØTRIK RUSTFRI A4 M16   | STAINLESS NUT M16        |
| 3   | 1   | 417554     | U-KONSOL FOR BAGKONSOL  | MIDDLE JOINT BLOCK       |
| 4   | 1   | 417555     | BAGKONSOL               | BACK JOINT BLOCK WELDING |
| 5   | 2   | 417556     | SPLITBOLT               | JOINT PIN ROLL           |
| 6   | 2   | 90102314   | PLANSKIVE M16 - 17X34X2 | FACE PLATE M16 - 17X34X2 |
| 7   | 2   | 90102832   | SÆTBOLT 8.8 M16X35 FZ   | SET BOLT M16X35 FZ       |
| 8   | 2   | 417552     | FJEDERSPLIT             | CLAMP                    |
| 9   | 2   | 417557     | NAGLE FOR U-BESLAG      | PIN SHAFTE               |



| POS | QTY | PARTNUMBER | BESKRIVELSE          | DESCRIPTION                         |
|-----|-----|------------|----------------------|-------------------------------------|
| 1   | 2   | 90102911   | STÅLBOLT 8.8 M8X20   | STEEL BOLT M8X20                    |
| 2   | 3   | 90102310   | PLANSKIVE M8 FZ      | FACE PLATE M8 FZ                    |
| 3   | 2   | 417558     | STØTTEHJUL           | WHEEL                               |
| 4   | 1   | 417559     | STØTTEHJULBØJLE      | WHEEL SUPPORT ASSMEBLY              |
| 5   | 1   | 90102915   | STÅLBOLT 8.8 M8X40   | STEEL BOLT M8X40                    |
| 6   | 1   | 90102310   | PLANSKIVE M8 FZ      | FACE PLATE M8 FZ                    |
| 7   | 1   | 417560     | FODPEDAL             | FOOT WHEEL ADJUST<br>HANDLE WELDING |
| 8   | 2   | 90102310   | PLANSKIVE M8 FZ      | FACE PLATE M8 FZ                    |
| 9   | 1   | 90100692   | LÅSEMØTRIK 8.8 M8 FZ | LOCKING NUT M8 FZ                   |
| 10  | 1   | 417561     | FJEDER               | SPRING                              |