

Fig.3 DRIVE UNIT

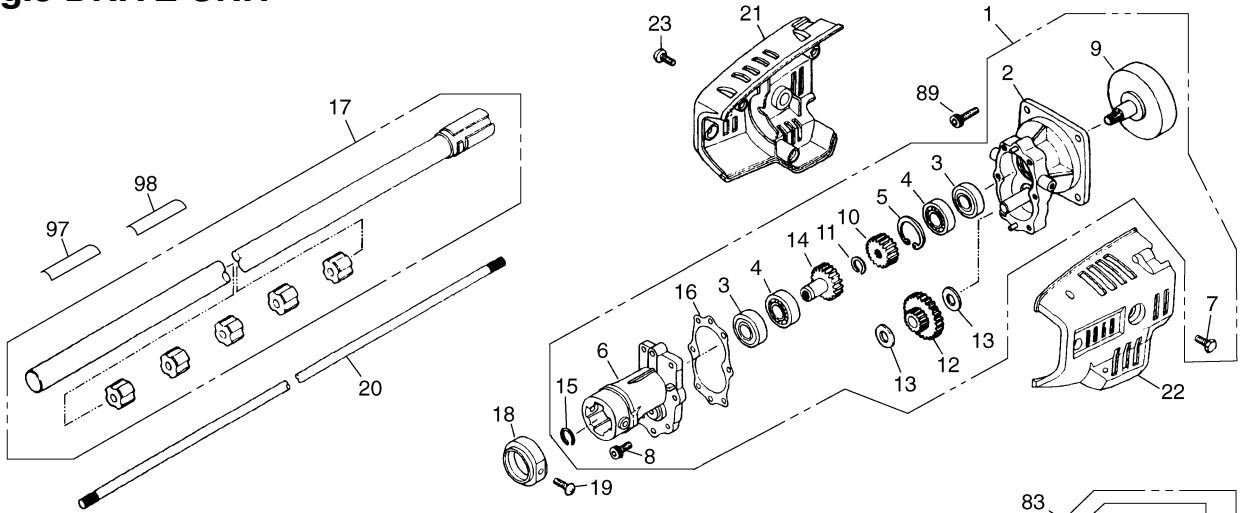


Fig.4 CASE UNIT

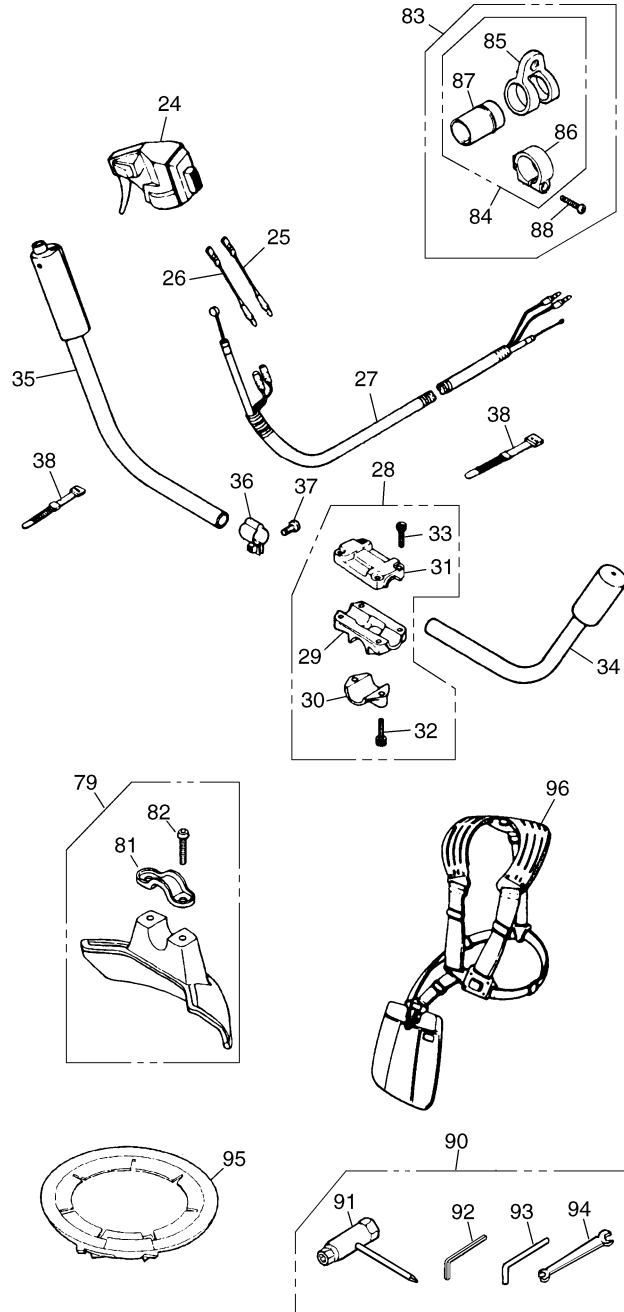
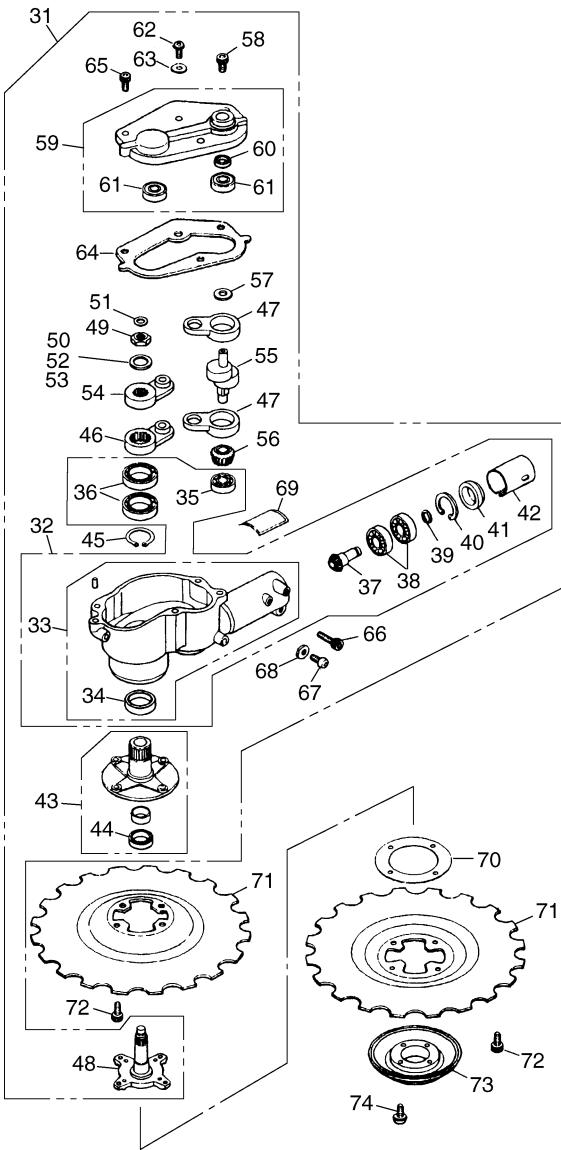


Fig.3 DRIVE UNIT

Key#	PART NUMBER	DESCRIPTION	Q'TY /UNIT	NOTE	Key#	PART NUMBER	DESCRIPTION	Q'TY /UNIT	NOTE
1	T3065-11000	MISSION ASSY	1		34	848JA33220	HANDLE COMP., left	1	
2	3805-11102	• CASE COMP, rear	1		35	6242-14400	HANDLE COMP., right	1	
3	06002-06001	• BEARING	2		36	3260-14251	CLAMP	1	
4	06000-06001	• BEARING	2		37	0260-00516	SCREW	1	
5	04065-02812	• RING	1		38	3540-93120	BAND	2	
6	3805-11211	• CASE, front	1		79	3565-24001	GUARD ASSY	1	
7	0225-00608	• BOLT	2		81	3520-24120	• CLAMP	1	
8	01252-30520	• BOLT	6		82	3540-24130	• BOLT	2	
9	3805-11310	• DRUM	1		83	6420-17300	HANGER ASSY	1	
10	3805-11320	• GEAR, pinion	1		84	6420-17400	• HANGER COMP.	1	
11	3180-13330	• RING	1		85	9366-17110	•• HANGER	1	
12	3805-11331	• GEAR, idler	1		86	9366-17120	•• CLAMP	1	
13	2850-55211	• WASHER	2		87	6420-17410	•• SLEEVE	1	
14	3805-11360	• GEAR, wheel	1		88	0263-90525	• SCREW	1	
15	3130-13270	• RING	1		89	6468-91150	BOLT	4	
16	3805-11412	• GASKET	1		90	T1500-91000	TOOL SET	1	
17	3805-12101	PIPE COMP.	1		91	T3002-91310	• SOKET	1	
18	3565-11341	CAP	1		92	09007-00425	• WRENCH	1	
19	0263-90510	SCREW	2		93	09007-00528	• WRENCH	1	
20	3805-12210	SHAFT	1		94	3540-91120	• SPANNER	1	
21	3805-11511	COVER, right	1		95	6251-15910	COVER	1	
22	3805-11521	COVER, left	1		96	6220-17202	HARNASS ASSY	1	
23	2200-76210	SCREW	3		97	6425-12552	LABEL	1	
24	6234-14601	LEVER ASSY	1		98	848JN090R0	PLATE, name	1	
25	3976-14710	CORD (A), red	1						
26	3976-14720	CORD (B), black	1						
27	848JN03390	CABLE COMP.	1						
28	3583-14101	BRACKET ASSY	1						
29	3583-14111	• BRACKET	1						
30	3583-14121	• CAP, lower	1						
31	3257-14192	• CAP, upper	1						
32	01252-30522	• BOLT	2						
33	01252-30525	• BOLT	4						

Fig.4 CASE UNIT

Key#	PART NUMBER	DESCRIPTION	Q'TY /UNIT	NOTE	Key#	PART NUMBER	DESCRIPTION	Q'TY /UNIT	NOTE
31	T3100-98000	CASE ASSY	1		57	01641-20812	• WASHER	1	
32	3974-98102	• CASE COMP, cutter	1		58	3805-13750	• BOLT	1	
33	3974-13102	•• CASE COMP, cutter	1		59	T3065-13800	• COVER COMP.	1	
34	3805-13130	••• SEAL	1		60	3805-13840	•• SEAL	1	
35	06000-00608	•• BEARING	1		61	06000-00608	•• BEARING	2	
36	06000-06804	•• BEARING	2		62	0263-00610	• SCREW	1	
37	3805-13930	•• PINION	1		63	01642-20608	• WASHER	1	
38	06000-06000	•• BEARING	2		64	3805-13910	• GASKET	1	
39	3180-13330	•• RING	1		65	01252-40520	• BOLT	3	
40	04065-02612	•• RING	1		66	3540-13260	• BOLT	1	
41	3805-13940	•• PACKING	1		67	0263-60514	• SCREW	1	
42	3805-13951	•• SPACER	1		68	01642-20508	• WASHER	1	
43	3805-13200	• SHAFT COMP.	1		69	3975-13990	• LABEL	1	
44	3805-13230	•• SEAL	1		70	3805-13590	SHIM	1	
45	04064-02012	• RING	1		71	3974-95110	BLADE	2	
46	3805-13412	• ARM, lower	1		72	01252-40608	BOLT	8	
47	3805-13432	• CONROD	2		73	3805-15140	STABILIZER	1	
48	3805-13510	• SHAFT, inner	1		74	0263-30508	SCREW	4	
49	3805-13520	• NUT	1						
50	3805-13550	• SHIM, 0.3t	0~1						
51	3805-13560	• SHIM	1						
52	3805-13570	• SHIM, 0.2t	0~1						
53	3805-13580	• SHIM, 0.1t	0~1						
54	3805-13612	• ARM, upper	1						
55	3805-13711	• CRANKSHAFT	1						
56	3805-13720	• GEAR	1						

Fig.5 ENGINE UNIT

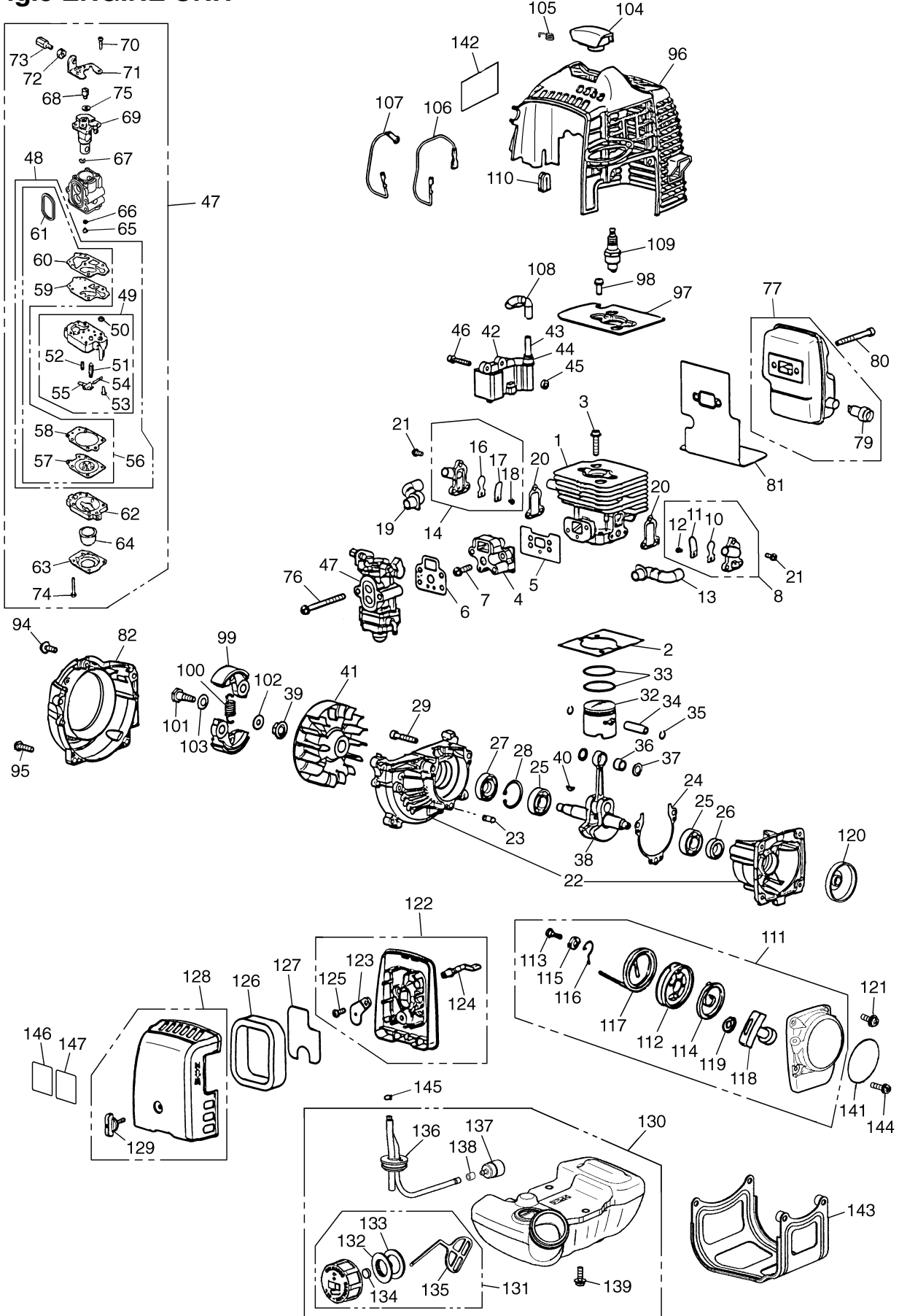


Fig.5 ENGINE UNIT

Key#	PART NUMBER	DESCRIPTION	Q'TY /UNIT	NOTE	Key#	PART NUMBER	DESCRIPTION	Q'TY /UNIT	NOTE
1	848F3012A2	CYLINDER	1		70	1752-81110	• SCREW	2	
2	4810-12210	GASKET, base	1		71	5500-81120	• BRACKET	1	
3	1850-12130	BOLT	2	M5x22	72	1751-81180	• NUT, adjuster	1	
4	4810-13162	INSULATOR	1		73	1918-81170	• SCREW, adjuster	1	
5	4810-13120	GASKET, insulator	1		74	1850-81530	• SCREW	4	
6	4810-13130	GASKET, carburetor	1		75	5500-81160	• WASHER	1	
7	0263-90520	SCREW	2	M5x20	76	0263-90560	SCREW	2	M5x60
8	848F301602	REEDVALVE (S) ASSY	1		77	4810-15100	MUFFLER ASSY	1	
10	4810-16120	• REEDVALVE	1		79	4810-15140	• ARRESTER	1	
11	4810-16130	• STOPPER	1		80	01252-30550	BOLT	2	M5x50
12	4810-16170	• SCREW	1	M3x8	81	T1501-15211	GASKET	1	
13	4810-16150	PIRE AIR (S)	1		82	T1500-31110	COVER ASSY	1	
14	848F301612	REEDVALVE (F) ASSY	1		94	5500-85510	SCREW	1	M5x16
16	4810-16120	• REEDVALVE	1		95	0263-90520	SCREW	4	M5x20
17	4810-16130	• STOPPER	1		96	4810-32111	COVER, engine	1	
18	4810-16170	• SCREW	1	M3x8	97	T1501-12310	PLATE	1	
19	4810-16160	PIPE AIR (F)	1		98	0263-90510	SCREW	2	M5x10
20	4810-16140	GASKET, valve	2		99	4820-51110	SHOE	2	
21	4810-16180	SCREW	6		100	4820-51220	SPRING	1	
22	4810-21101	CRANKCASE COMP.	1		101	T1500-51250	SCREW	2	
23	2629-21130	• PIN	3		102	T1500-51230	WASHER	2	
24	4810-21140	GASKET	1		103	1140-51242	WASHER	2	
25	06030-06001	BEARING	2		104	4810-72111	CAP	1	
26	4810-21210	SEAL	1		105	1900-72120	SPRING	1	
27	1850-21220	SEAL	1		106	4810-71240	CORD	1	
28	04065-02812	SNAP RING	1		107	4810-71250	CORD, earth	1	
29	01252-30530	BOLT	3	M5x30	108	T1512-71320	TUBE	1	
32	4810-41110	PISTON	1		109	3699-91667	PLUG	1	CMR7A
33	5910-41210	RING	2		110	4810-72120	GROMMET	1	
34	T1513-41310	PIN	1		111	4810-75100	RECOIL ASSY	1	
35	1260-41320	RING	2		112	4500-75120	• REEL	1	
36	5500-41410	BEARING	1		113	4500-75150	• SCREW	1	
37	1101-41340	WASHER	2		114	1850-75130	• SPRING, spiral	1	
38	4810-42000	CRANKSHAFT COMP.	1		115	4500-75180	• COLLAR	1	
39	1650-43230	NUT	1		116	4500-75190	• ARM	1	
40	1000-43240	KEY	1		117	4810-75160	• ROPE	1	
41	4810-71110	ROTOR	1		118	3330-75421	• KNOB	1	
42	T1501-71200	COIL ASSY	1		119	4810-75170	• PLATE, stopper	1	
43	T1512-71220	• CORD	1		120	4500-75210	PULLEY	1	
44	2616-71320	• CAP	1		121	5500-85510	SCREW	2	M5x16
45	1260-71261	SPACER	2		122	4810-82100	BODY ASSY	1	
46	4500-72150	BOLT	2	M4x22	123	4810-82130	• PLATE, choke	1	
47	848F308103	CARBURETOR ASSY	1		124	5500-82140	• LEVER, choke	1	
48	T1551-06030	• REBUILD KIT	1		125	2630-33610	• SCREW	1	
49	T1551-81450	•• BODY ASSY	1		126	4810-82170	ELEMENT	1	
50	—————	••• SCREEN	—		127	4810-82180	SCREEN	1	
51	—————	••• VALVE	—		128	4810-82200	COVER ASSY	1	
52	—————	••• SPRING	—		129	5500-82221	• KNOB	1	
53	—————	••• SCREW	—		130	T1504-85002	TANK ASSY	1	
54	—————	••• PIN	—		131	T1015-85202	• CAP ASSY	1	
55	—————	••• LEVER	—		132	4500-85300	•• HOLDER ASSY	1	
56	4810-06021	• GASKET KIT	1		133	4500-85220	•• PACKING	1	
57	—————	••• DIAPHRAGM	—		134	5601-85260	•• FILTER	1	
58	—————	••• GASKET, diaphragm	—		135	4820-85260	•• STOPPER	1	
59	—————	••• DIAPHRAGM, pump	—		136	4810-85300	• PIPE COMP.	1	
60	—————	••• GASKET, pump	—		137	3302-85400	• FLTER ASSY	1	
61	4810-81130	••• RING	1		138	2841-31280	• COLLAR	1	
62	1850-81490	• BODY, purge	1		139	5500-85510	SCREW	3	M5x16
63	1850-81520	• COVER, pump	1		141	T1504-75410	LABEL, recoil	—	
64	1751-81510	• PUMP, priming	1		142	T1504-31130	LABEL, cover	1	
65	T1505-81250	• JET	1		143	T1506-31910	GUARD	1	
66	1751-81240	• O-RING	1		144	0263-90525	SCREW	2	
67	1751-81130	• RING	1		145	1950-86120	CLIP	1	
68	1881-81140	• SWIVEL	1		146	2634-31420	LABEL (CE)	1	
69	—————	• VALVE ASSY	—		147	T2990-21040	LABEL (104dB)	1	