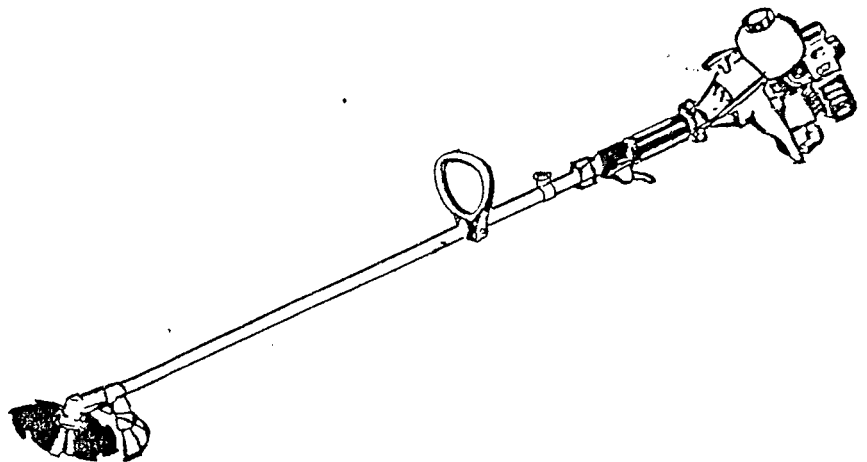
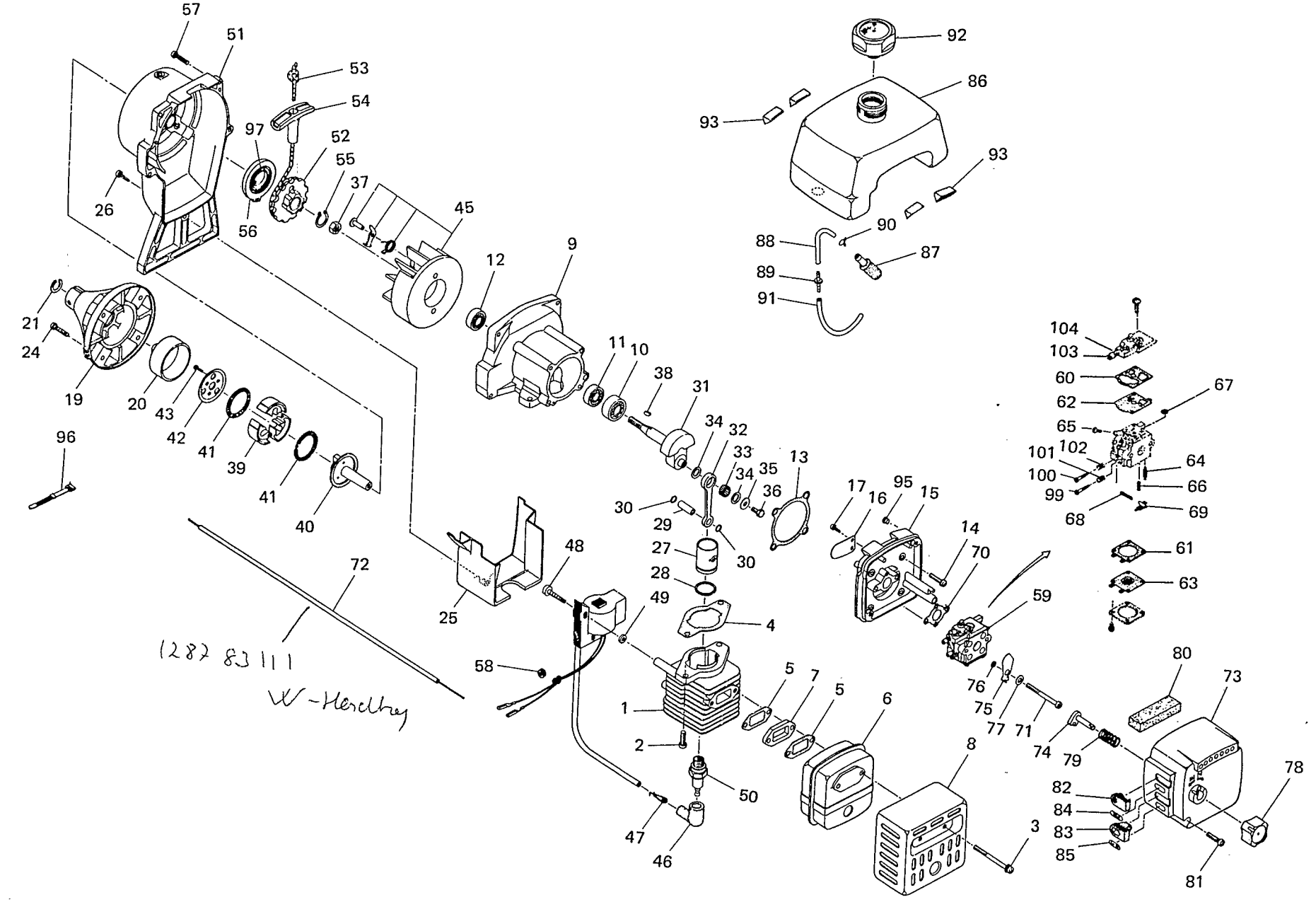


ZENOAH BRUSH CUTTER BC-254A



ENGINE

Box for
stays
1287-21200

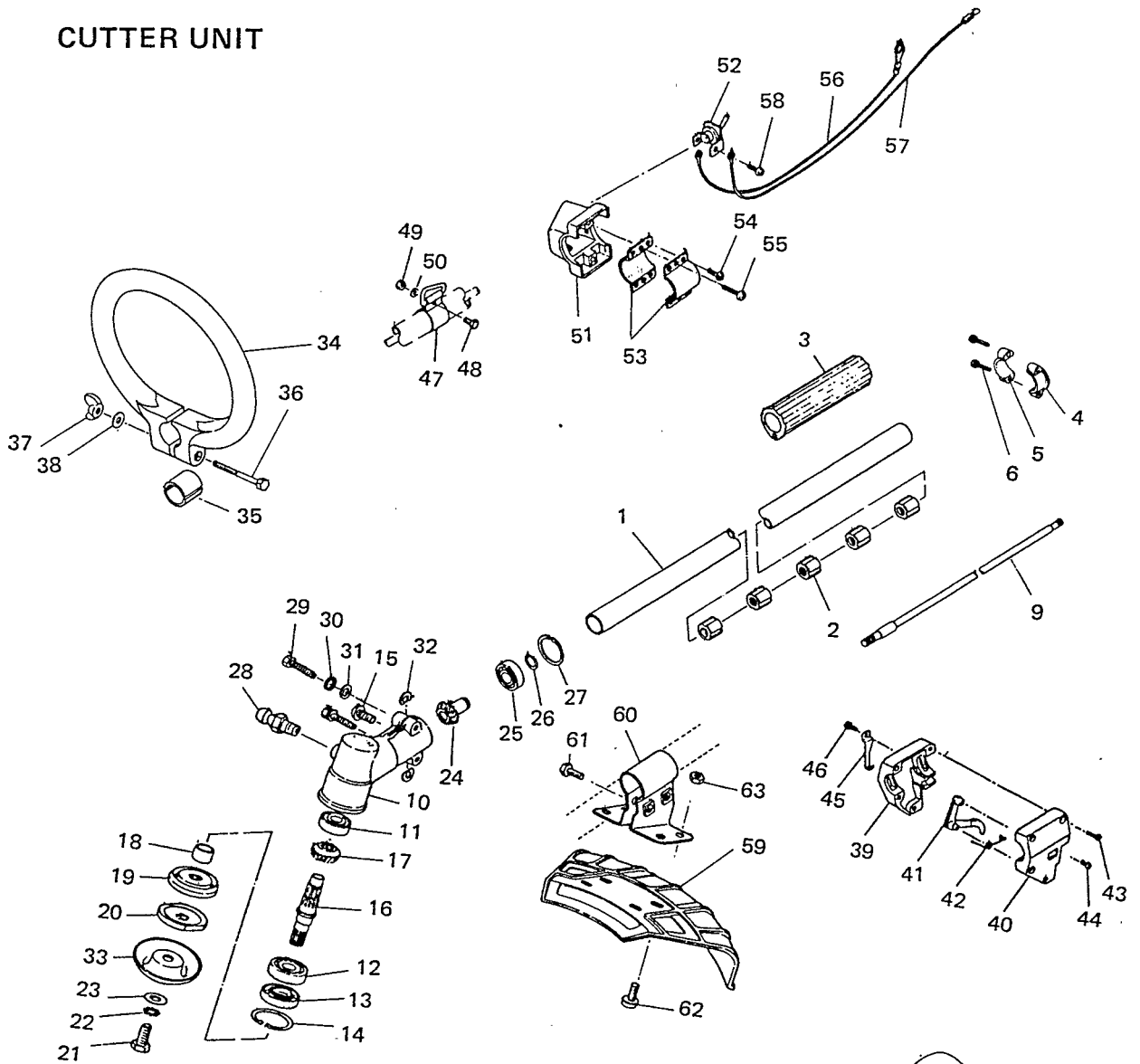


1287 83111
W-Herschey

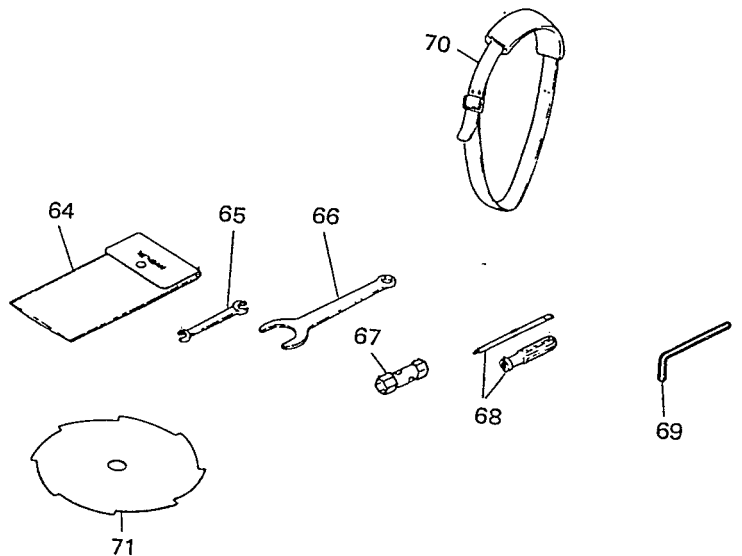
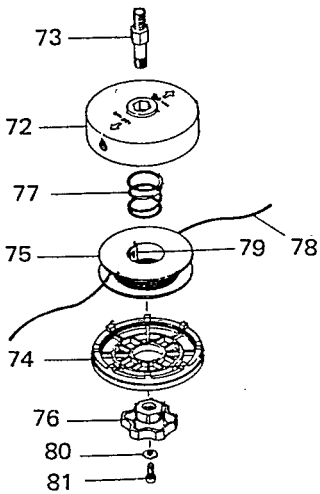
Fig. & Index No.	Parts No.	Description	Q'ty/Unit
1	1280-12111	Cylinder	1
2	0260-00616	Screw, cylinder	2
3	0260-30560	Screw, muffler	2
4	1260-13120	Gasket, cylinder	1
5	1260-13140	Gasket, muffler	2
6	1260-15110	Muffler	1
7	1260-15120	Spacer	1
8	1280-15210	Guard	1
9	1260-21110	• Case, crank	1
10	06030-06201	• Bearing	1
11	1260-21180	• Seal, oil	1
12	06035-06001	• Bearing	1
13	1260-21170	Gasket	1
14	1260-21190	Screw, crankcase	4
15	1280-21212	Cover, crankcase	1
16	1260-21220	Reed, valve	1
17	1260-21241	Screw	2
18			
19	1251-31210	• Housing, clutch	1
20	1283-31220	• Drum	1
21	3130-13270	• Ring, shap	1
22			
23			
24	0260-00520	Screw, housing	4
25	1260-32210	Cover, cylinder	1
26	1260-32220	Screw, cylinder cover	1
27	1280-41111	Piston	1
28	1280-41220	Ring	1
29	1280-41310	Pin	1
30	1260-41320	Ring, snap	2
31	1260-42201	Crankshaft comp.	1
32	1260-42110	Rod	1
33	1260-42240	Roller	13
34	1260-42251	Washer, thrust	2
35	1260-42260	Washer	1
36	1260-42270	Bolt	1
37	0282-10805	Nut	1
38	1260-43240	Key	1
39	1280-51111	Shoe	3
40	1280-51121	Boss	1
41	1280-51130	Spring	2
42	1280-51141	Plate	1
43	0260-10412	Screw	3
44	1260-71111	Module	1
45	1260-71200	Rotator comp.	1
46	3310-71311	Cap, plug	1
47	3310-71320	Spring	1
48	1260-71250	Screw, module	2
49	1260-71260	Spacer	2
50	1115-73111	Spark plug	1
51	1266-31101	Cover comp.	1
52	1260-75101	Reel comp.	1

Fig. & Index No.	Parts No.	Description	Q'ty/Unit
53	1260-75151	Rope	1
54	1260-75170	Knob	1
55	04064-01812	Ring, snap	1
56	1260-75210	• Holder	1
57	0261-00516	Screw, cover	4
58	1260-31250	Grommet	1
59	1282-81000	Carburetor ass'y	1
60	3304-81140	• Gasket, pump	1
61	3310-81290	• Gasket, diaphragm	1
62	3304-81150	• Diaphragm, pump	1
63	3310-81260	• Diaphragm Ass'y	1
64	3310-81310	• Valve, inlet	1
65	1282-81550	• Screw	1
66	1262-81270	• Spring	1
67	3304-81380	• Screen	1
68	3310-81250	• Pin	1
69	3310-81230	• Lever	1
70	1280-82110	Gasket, carburetor	1
71	0260-00540	Screw, carburetor	2
72	1286-83110	Cable	1
73	1260-84110	• Cover, cleaner	1
74	1260-84120	• Lever	1
75	1260-84150	Plate	1
76	3310-82110	Washer	1
77	01642-20508	Washer	1
78	1260-84130	• Knob	1
79	1260-84140	• Spring	1
80	1260-84160	Element	1
81	0260-00520	Screw, cleaner cover	2
82	1260-84180	Grommet, slow adjust screw	1
83	1260-84190	Grommet, speed jet screw	1
84	1260-84 10	Label, idle	1
85	1260-84220	Label, L—H	1
86	1280-85111	• Tank	1
87	1260-85400	• Weight comp.	1
88	1260-85420	• Pipe, suction	1
89	1260-85411	• Joint	1
90	1260-85460	• Clip	1
91	1260-85141	Pipe	1
92	1260-85211	• Cap	1
93	1180-86230	Cushion	4
94	1280-21162	Label	1
95	1260-21250	Grommet	1
96	1260-31270	Band	1
97	1260-75160	• Spring	1
98	1260-85221	• Valve	1
99	1282-81070	• Needle-L	1
100	1282-81330	• Needle-H	1
101	3310-81160	• Spring-L	1
102	3310-81320	• Spring-H	1
103	1282-81540	• Screw, idle	1
104	1282-81460	• Spring, idle	1

CUTTER UNIT



OPTIONAL ACC.



128713230 B05 F. ROR BC254E

Fig. & Index No.	Parts No.	Description	Q'ty/Unit
	3254-11300	Pipe Comp.	1
1		• Pipe	1
2	3241-11320	• Bushing	5
3	3241-11330	• Grip	1
4	3254-11610	Clamp (R) M/T _{up} .	1
5	3254-11620	Clamp (L)	1
6	01252-30522	Bolt	2
7	01601-20513	Washer	2
8	0292-20510	Washer	2
9	3254-12110	Shaft	1
	3586-13000	Gearcase Ass'y	1
10	3586-13110	• Gearcase	1
11	06000-06000	• Bearing	1
12	06000-06201	• Bearing	1
13	3180-13141	• Seal, oil	1
14	04065-03212	• Ring, snap	1
15	0260-00510	• Screw	1
16	3241-13210	• Shaft	1
17	3241-13220	• Gear	1
18	3180-13231	• Collar	1
19	3180-13241	• Holder (A)	1
20	3180-13252	• Holder (B)	1
21	3180-13262	• Bolt	1
22	3180-13270	• Washer	1
23	3180-13280	• Washer	1
24	3241-13310	• Pinion	1
25	06001-06000	• Bearing	1
26	3180-13330	• Ring, snap	1
27	3180-13340	• Ring, snap	1
28	3199-13350	• Fitting	1
29	0212-50525	• Bolt	2
30	01601-20513	• Washer	2
31	01641-20508	• Washer	2
32	3180-11120	• Shim	2
33	3210-13280	• Cover	1
34	3238-12110	Handle	1
35	3254-14110	Spacer	2
36	0224-00650	Bolt	1
37	3238-12130	Nut	1
38	0291-20616	Washer	1
	3586-14501	Lever Ass'y	1
39	3245-14510	• Case (R)	1
40	3586-14520	• Case (L)	1
41	3245-14530	• Lever	1
42	3238-14540	• Spring	1
43	0277-10425	• Screw	3
44	0260-00506	• Screw	1

Fig. & Index No.	Parts No.	Description	Q'ty/Unit
45	3238-14580	• Spring	1
46	0277-10406	• Screw	1
47	3180-17110	Hanger	1
48	0224-00510	Bolt	1
49	0280-10504	Nut	1
50	01601-20513	Washer	1
	3586-18000	Switch Comp.	1
51	3294-18110	• Case	1
52	3238-14171	• Switch	1
53	3294-18120	• Clamp	2
54	0260-00405	• Screw	4
55	0277-10410	• Screw	2
56	3294-18130	• Cord (A) black	1
57	3586-18140	• Cord (B) red	1
58	0260-00405	• Screw	2
	3294-24000	Guard Ass'y	1
59	3231-24112	• Guard	1
60	3294-24120	• Bracket	1
61	0225-10620	• Bolt	2
62	0260-30614	• Screw	4
63	0280-10605	• Nut	4
	3254-91000	Tool Set	1
64	1820-91111	• Bag	1
65	0901-00810	• Spanner	1
66	3130-91121	• Spanner	1
67	3239-91310	• Socket	1
68	1030-91340	• Driver	1
69	09007-00425	• Wrench	1
70	3180-17121	Strap	1
71	3180-92142	Saw, eddy	1
	3253-98002	Nylon cutter Ass'y 20195	1
72	3144-98102	• Case (A)	1
73	3253-98120	• Shaft	1
74	3144-98132	• Case (B)	1
75	3144-98141	• Case holder	1
76	3144-98150	• Knob	1
77	3238-15160	• Spring	1
78	3238-15180	• Cord	1
79	3238-15220	• Plate	1
80	3238-15230	• Washer	1
81	0260-00610	• Screw	1
	3254-00601	Cord Kit	1
75	3144-98141	• Cord holder	1
78	3238-15180	• Cord	1
79	3238-15220	• Plate	1
80		• Washer	1
81		• Bolt	1

Part II BC254E String Trimmer and BC254A Brush Cutter

Engine: for BC254E and BC254A

Fig. No.	Section	Page
1.	Engine Main Body	22
2.	Clutch•Starter•Muffler•Ignition System	24
3.	Carburetor•Air Cleaner•Throttle Cable	26
4.	Fuel Tank	28
5.	Repair Kit Parts	30
6.	Repair Kit Parts	32

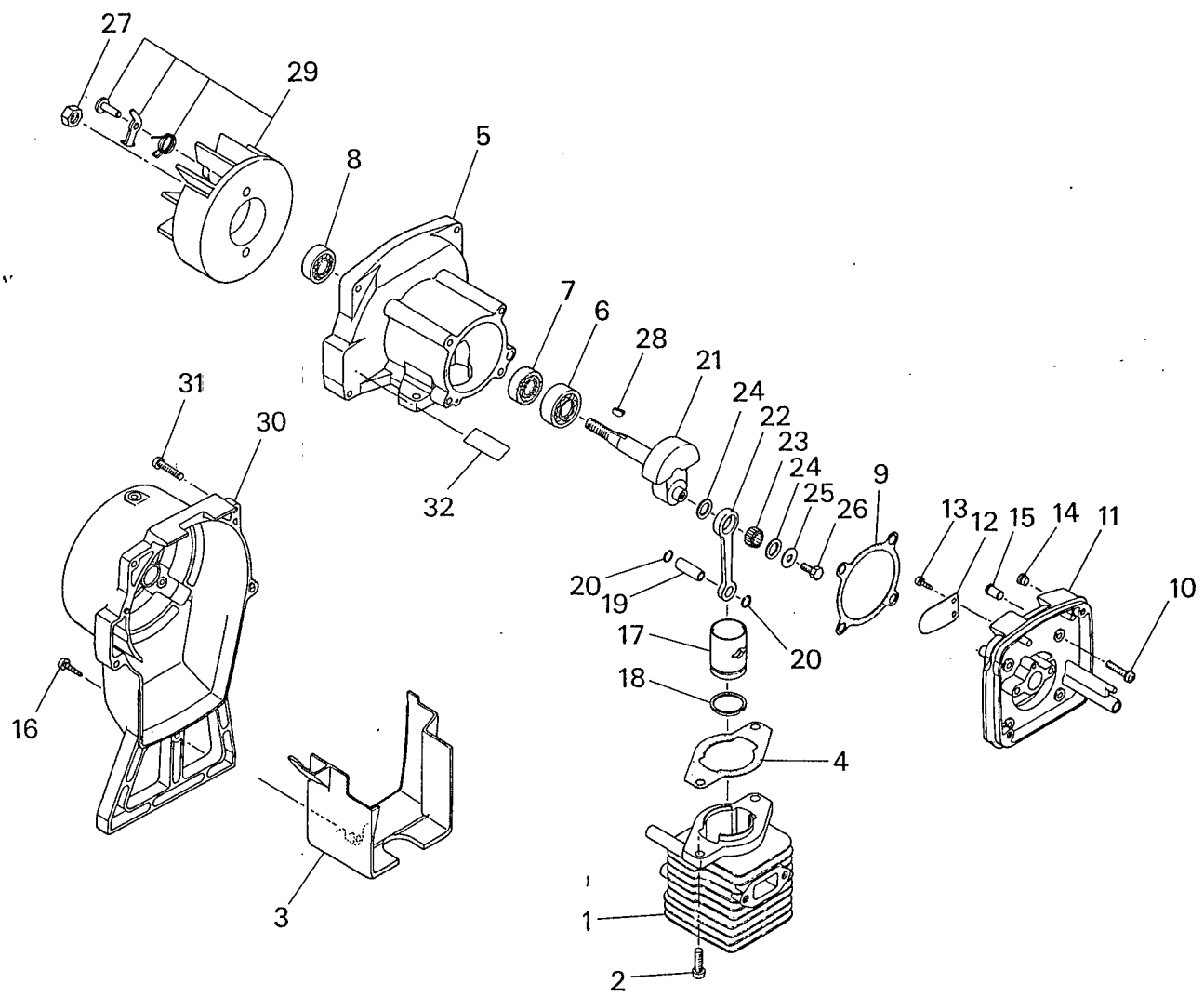
Drive Shaft for BC254E

7.	Shaft Main Body	34
8.	Handle•Standard Accessories	36

Drive Shaft for BC254A

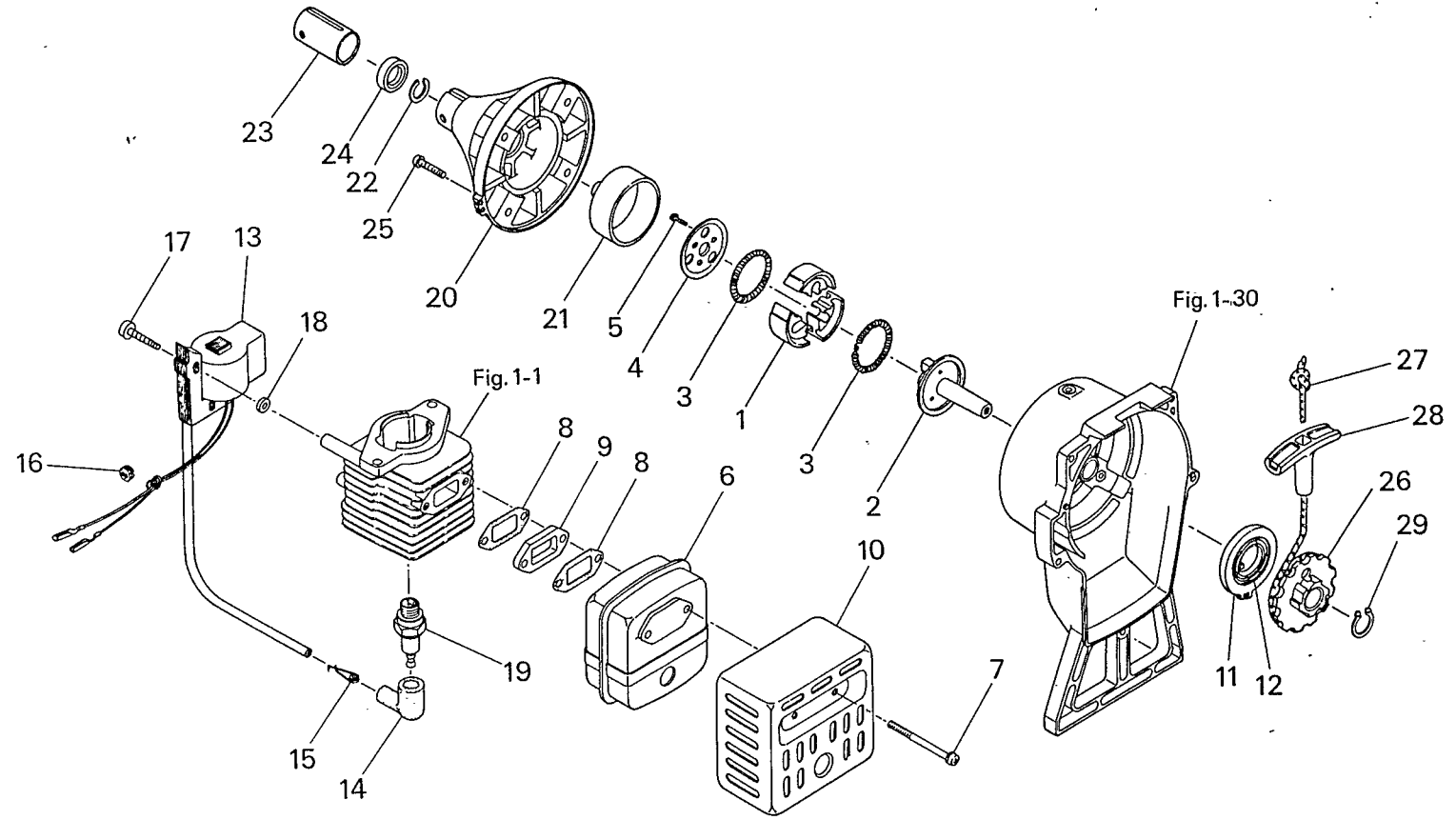
9.	Shaft Main Body	38
10.	Handle•Standard Accessories	40

Fig. 1 ENGINE MAIN BODY



Key No.	Parts Number	Description	Q'ty	Rank	Remarks	Key No.	Parts Number	Description	Q'ty	Rank	Remarks
1- 1	1280-12111	CYLINDER	1	•••	K-1, K-2	1-27	0282-10805	NUT	1	•	K-1
- 2	0260-00616	SCREW, cylinder	2	••	K-1	-28	1260-43240	KEY	1	•	K-1
- 3	1260-32210	COVER, cylinder	1	•		-29	1260-71200	ROTOR COMP	1	•	
- 4	1260-13120	GASKET, cylinder	1	•••	K-1, K-2, K-6	-30	1266-31101	FAN COVER COMP	1	•	
	1260-21100	CRANKCASE COMP	1			-31	0261-00516	SCREW, cover	4	•	
- 5	1260-21110	• CRANKCASE	1	•	K-1	-32	1280-21162	LABEL	1	•	
- 6	06030-06201	• BEARING	1	•	K-1						
- 7	1260-21180	• SEAL, oil	1	•	K-1						
- 8	06035-06001	• BEARING	1	•	K-1						
- 9	1260-21170	GASKET, crankcase	1	•	K-5, K-6						
-10	1260-21190	SCREW, crankcase	4	•							
-11	1280-21212	CRANKCASE COVER	1	•	K-5						
-12	1260-21220	REED, valve	1	•	K-5						
-13	1260-21241	SCREW	2	•	K-5						
-14	3238-11160	PLUG, crankcase cover	1	•	for BC254E K-5						
-15	1260-21250	GROMMET	1	•	K-5						
-16	1260-32220	SCREW, cylinder cover	1	•							
-17	1280-41111	PISTON	1	•••	K-1, K-2, K-3						
-18	1280-41220	RING, piston	1	•••	K-1, K-2, K-3						
-19	1280-41310	PIN, piston	1	•••	K-1, K-3						
-20	1260-41320	RING, snap	2	•••	K-1, K-3						
-21	1260-42201	CRANKSHAFT COMP	1	•	K-1, K-4						
-22	1260-42110	ROD	1	•	K-1, K-4						
-23	1260-42240	ROLLER	13	•••	K-1, K-4, K-9						
-24	1260-42251	THRUST WASHER	2	•	K-1, K-4						
-25	1260-42260	WASHER	1	•	K-1, K-4						
-26	1260-42270	BOLT	1	•	K-1, K-4						

Fig. 2 CLUTCH·MUFFLER·IGNITION SYSTEM·STARTER



Key No.	Parts Number	Description	Q'ty	Rank	Remarks	Key No.	Parts Number	Description	Q'ty	Rank	Remarks
	1280-51101	CLUTCH ASSY	1			2-23	1280-31230	SLEEVE	1	•	for BC254E
2- 1	1280-51111	• SHOE, clutch	3	•		-24	1260-31260	SPACER	1	•	for BC254E
- 2	1280-51121	• BOSS, clutch	1	•		-25	0260-00520	SCREW, housing	4	•	
- 3	1280-51130	• SPRING, clutch	2	•		-26	1260-75101	REEL COMP	1	•	
- 4	1280-51141	• PLATE, clutch	1	•		-27	1260-75151	ROPE	1	•••	
- 5	0260-10412	SCREW	3	•		-28	1260-75170	KNOB	1	•	
- 6	1260-15110	MUFFLER	1	•		-29	04064-01812	RING, snap	1	•••	
- 7	0260-30560	SCREW, muffler	2	••							
- 8	1260-13140	GASKET, muffler	2	•••	K-6						
- 9	1260-15120	SPACER	1	•	K-6						
-10	1260-15210	GUARD, muffler	1	•							
	1260-75200	HOLDER COMP	1								
-11	1260-75210	• HOLDER	1	•							
-12	1260-75160	• SPRING	1	•••							
-13	1260-71111	MODULE	1	•							
-14	3310-71311	CAP, plag	1	•••							
-15	3310-71320	SPRING, plag cap	1	•••							
-16	1260-31250	GROMMET	1	•							
-17	1260-71250	SCREW, module	2	•							
-18	1260-71260	SPACER	2	•							
-19	1115-73111	SPARK PLUG	1	•••	RCJ-8 0M6A						
-20	1251-31210	HOUSING, clutch	1	•	K-8 (Leje i hv 6001-2Z)						
-21	1281-31220	DRUM, clutch	1	•	for BC254E K-8						
-21	1283-31220	DRUM, clutch	1	•	for BC254A K-8						
-22	3130-13270	RING, snap	1	•	K-8						

†

Fig. 3 CARBURETOR·AIR CLEANER·THROTTLE CABLE

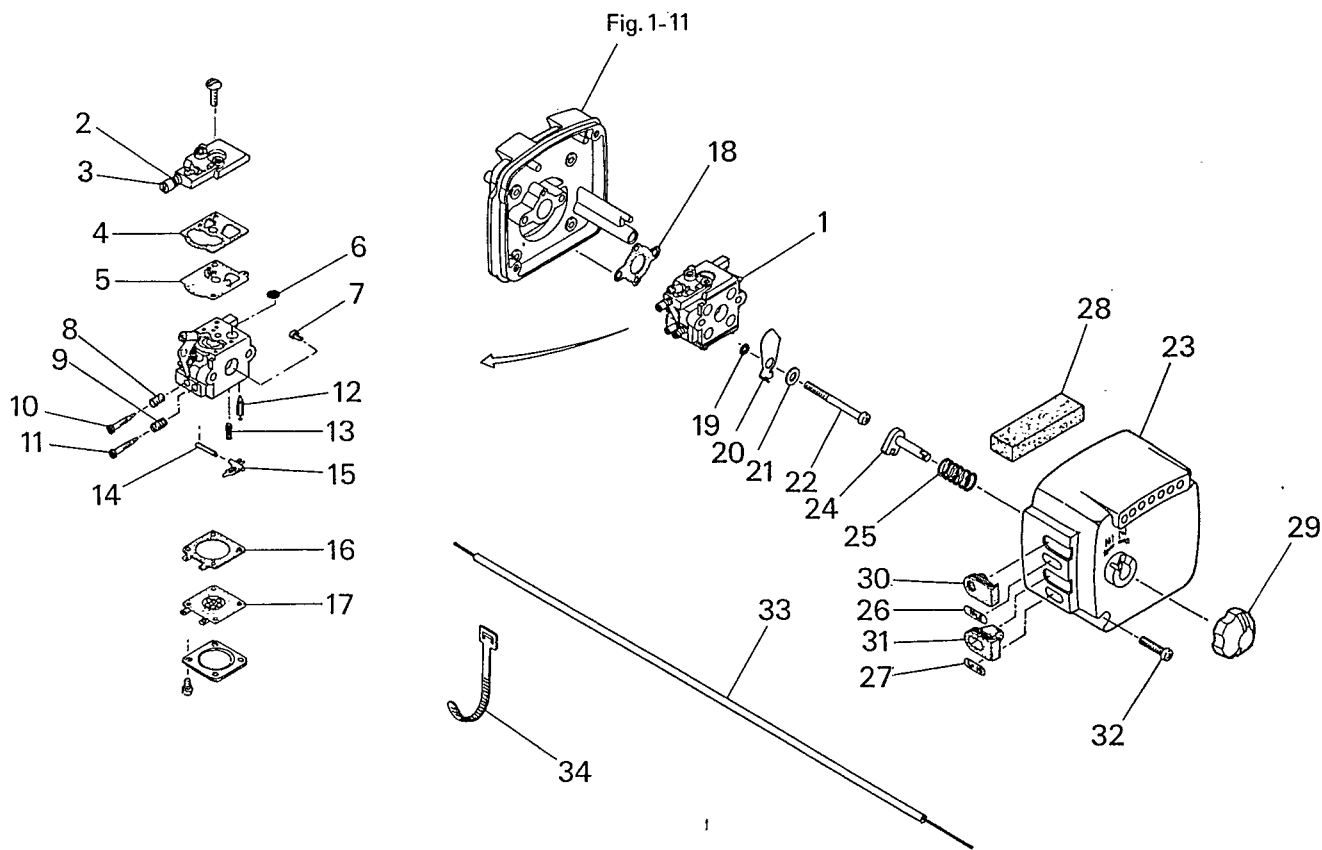
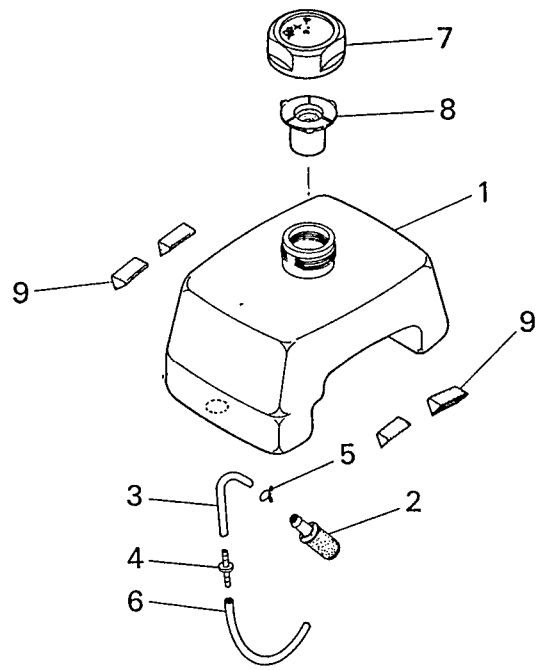


Fig. 3 CARBURETOR-AIR CLEANER-THROTTLE CABLE

BC254E/BC254A

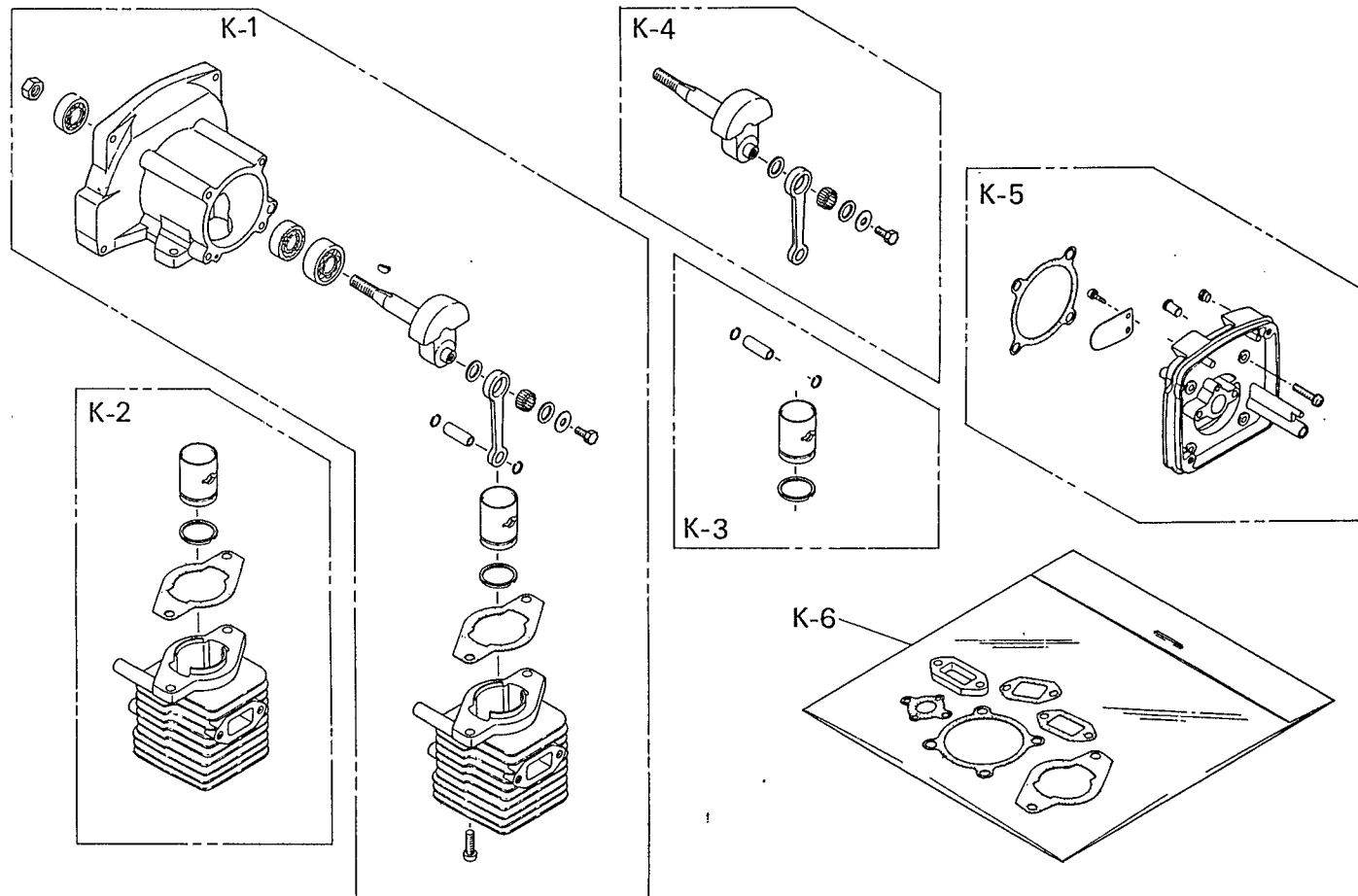
Key No.	Parts Number	Description	Q'ty	Rank	Remarks	Key No.	Parts Number	Description	Q'ty	Rank	Remarks
	1282-81000	CARBURETOR ASSY	1	••••							
3- 1	☆	• BODY, carburetor	1		☆1282-81000	3-23	1260-84100	CLEANER COVER COMP	1		
- 2	1282-81460	• SPRING, idle	1	•	K-7	-24	1260-84110	• CLEANER COVER	1	•	
- 3	1282-81540	• SCREW, idle	1	•	K-7	-25	1260-84120	• CHOKE LEVER	1	•	
- 4	3304-81140	• GASKET, pump	1	••••	K-7	-26	1260-84140	• SPRING	1	•	
- 5	3304-81150	• DIAPHRAGM, pump	1	•	K-7	-27	1260-84210	• LABEL (IDLE)	1	•	
- 6	3304-81380	• SCREEN	1	•	K-7	-28	1260-84220	• LABEL (Lo-Hi)	1	••	
- 7	1282-81550	• SCREW	1	•	K-7	-29	1260-84160	• ELEMENT	1	••••	
- 8	3310-81160	• SPRING-L	1	•	K-7	-30	1260-84130	• KNOB, choke	1	•	
- 9	3310-81320	• SPRING-H	1	•	K-7	-31	1260-84180	GROMMET, idle needle	1	•	
-10	1282-81070	• NEEDLE (L)	1	••••	K-7	-32	1260-84190	GROMMET, Lo-Hi needle	1	•	
-11	1282-81330	• NEEDLE (H)	1	••••	K-7	-33	0260-00520	SCREW, cleaner cover	2	•	
-12	3310-81310	• VALVE, inlet	1	••••	K-7	-33	1280-83110	CABLE COMP	1	••••	for BC254E
-13	1262-81270	• SPRING	1	•	K-7	-33	1286-83110	CABLE COMP	1	••••	for BC254A
-14	3310-81250	• PIN	1	•	K-7	-34	1260-31270	BAND	1	•	
-15	3310-81230	• LEVER	1	••••	K-7		1287 83111	<i>gasket</i>			
-16	3310-81290	• GASKET, diaphragm	1	••••	K-7			<i>W-Head</i>			
-17	3310-81260	• DIAPHRAGM ASSY	1	•	K-7						
-18	1280-82110	GASKET, carburetor	1	••••	K-6						
-19	3310-82110	WASHER	1	•							
-20	1260-84150	PLATE	1	•							
-21	01642-20508	WASHER	1	•							
-22	0260-00540	SCREW, carburetor	2	•							

Fig. 4 FUEL TANK



Key No.	Parts Number	Description	Q'ty	Rank	Remarks	Key No.	Parts Number	Description	Q'ty	Rank	Remarks
	1280-85003	TANK ASSY	1								
4- 1	1280-85111	• TANK •	1	•							
- 2	1260-85400	• FILTER COMP	1	•••							
- 3	1260-85420	• PIPE, suction	1	•							
- 4	1260-85411	• JOINT	1	•							
- 5	1260-85460	• CLIP	1	•							
- 6	1260-85141	• FUEL PIPE	1	•							
	1260-85201	• TANK CAP ASSY	1								
- 7	1260-85211	•• TANK CAP	1	•••							
- 8	1260-85221	•• VALVE COMP	1	•••							
- 9	1180-86230	CUSHION	4	•							

Fig. 5 REPAIR KIT PARTS



Key No.	Parts Number	Description	Q'ty	Rank	Remarks	Key No.	Parts Number	Description	Q'ty	Rank	Remarks				
5-K-1	1280-00611	SHORT BLOCK	1		OP	5-K-3	1280-00613	PISTON KIT	1		OP				
	1280-12111	• CYLINDER	1				1280-41111	• PISTON	1						
	0260-00616	• SCREW, cylinder	2				1280-41220	• RING, piston	1						
	1260-13120	• GASKET, cylinder	1				1280-41310	• PIN, piston	1						
	1260-21110	• CRANKCASE	1				1260-41320	• RING, snap	2						
	06030-06201	• BEARING	1				5-K-4	1260-00624	CRANKSHAFT KIT	1			OP		
	1260-21180	• SEAL, oil	1					1260-42201	• CRANKSHAFT COMP	1					
	06035-06001	• BEARING	1					1260-42110	• ROD	1					
	1280-41111	• PISTON	1					1260-00609	• ROLLER SET	1					
	1280-41220	• RING, piston	1					1260-42251	• THRUST WASHER	2					
	1280-41310	• PIN, piston	1					1260-42260	• WASHER	1					
	1260-41320	• RING, snap	2					1260-42270	• BOLT	1					
	1260-42201	• CRANKSHFT COMP	1					5-K-5	1260-00619	CRANKCASE COVER KIT		1			OP
	1260-42110	• ROD	1						1260-21170	• GASKET, crankcase		1			
	1260-00609	• ROLLER SET	1						1280-21212	• COVER, crankcase		1			
	1260-42251	• THRUST WASHER	2				1260-21220		• REED VALVE	1					
	1260-42260	• WASHER	1				1260-21241		• SCREW, reed valve	2					
	1260-42270	• BOLT	1				3238-11160		• PLUG, crankcase cover	1					
0282-10805	• NUT	1		1260-21250	• GROMMET	1									
1260-43240	• KEY	1		5-K-6	1280-00618	GASKET KIT	1		OP						
5-K-2	1280-00612	CYLINDER KIT	1			1280-13120	• GASKET, cylinder	1							
	1280-12111	• CYLINDER	1			1260-13140	• GASKET, muffler	2							
	1260-13120	• GASKET, cylinder	1			1260-21170	• GASKET, crankcase	1							
	1280-41111	• PISTON	1			1280-82110	• GASKET, carburetor	1							
	1280-41220	• RING, piston	1		1260-15120	• SPACER	1								

Fig. 6 REPAIR KIT PARTS

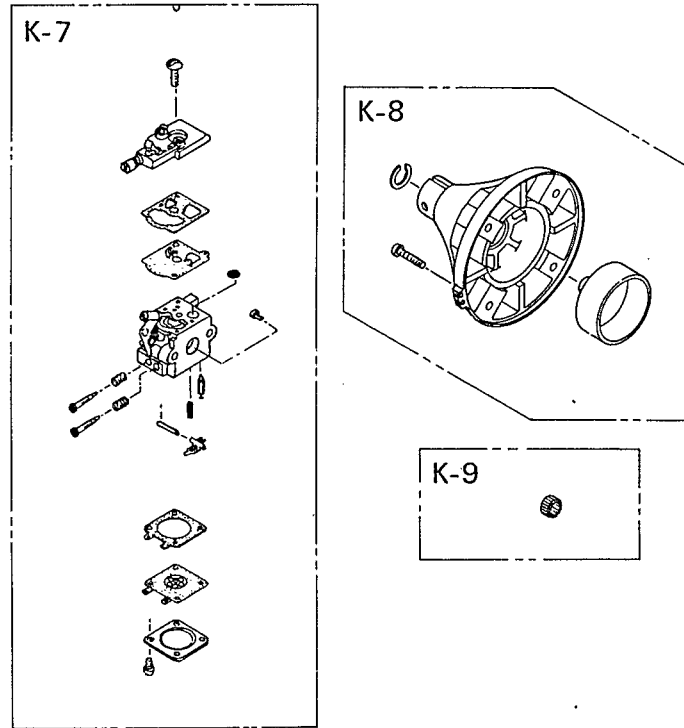
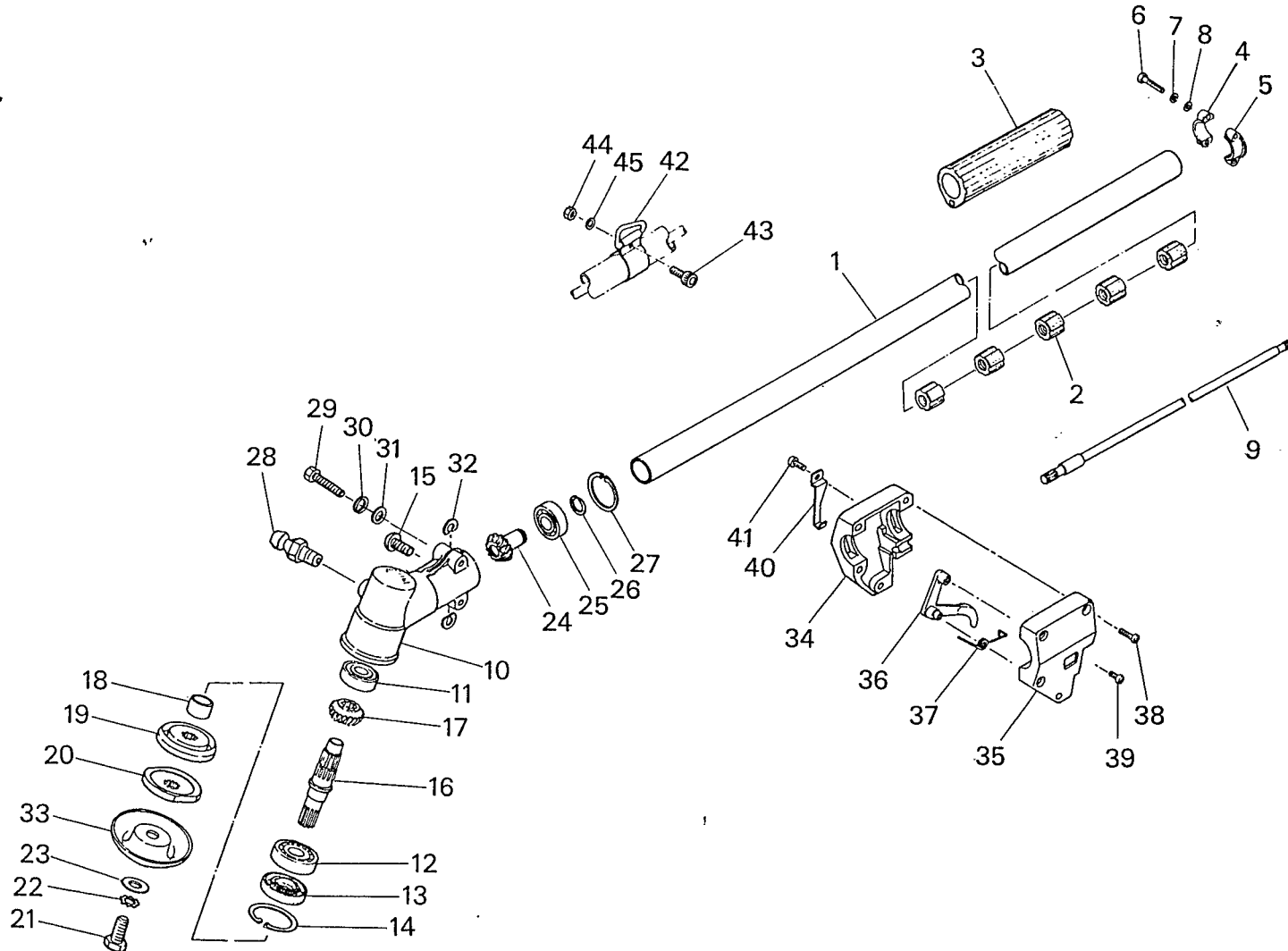


Fig. 9 DRIVE SHAFT MAIN BODY



Key No.	Parts Number	Description	Q'ty	Rank	Remarks	Key No.	Parts Number	Description	Q'ty	Rank	Remarks
9- 1	3254-11300 ☆	PIPE COMP • PIPE	1	••••	☆3254-11300	9-27	3180-13340	• RING, snap	1	••••	
- 2	3241-11320	• BUSHING	5	••••		-28	3199-13350	• FITTING	1	••••	
- 3	3241-11330	• GRIP	1	•		-29	0212-50525	• BOLT	2	•	
- 4	3254-11610	CLAMP (R) ⁿ /Tap	1	•		-30	01601-20513	• WASHER	2	•	
- 5	3254-11620	CLAMP (L)	1	•		-31	06141-20508	• WASHER	2	•	
- 6	01252-30522	BOLT	2	•		-32	3180-11120	• SHIM	2	•	
- 7	01601-20513	WASHER	2	•		-33	3210-13280	• COVER	1	••••	
- 8	0292-20510	WASHER	2	•			3586-14501	LEVER ASSY	1	•	
- 9	3254-12110	SHAFT	1	••••		-34	3245-14510	• CASE (R)	1	••••	
	3586-13000	GEARCASE ASSY	1	•		-35	3586-14520	• CASE (L)	1	••••	
-10	3586-13110	• GEARCASE	1	•		-36	3245-14530	• LEVER	1	••••	
-11	06000-06000	• BEARING	1	••••		-37	3238-14540	• SPRING	1	••••	
-12	06000-06201	• BEARING	1	••••		-38	0277-10425	• SCREW	3	••••	
-13	3180-13141	• SEAL, oil	1	••••		-39	0260-00506	• SCREW	1	••••	
-14	04065-03212	• RING, snap	1	••••		-40	3238-14580	• SPRING, lock	1	••••	
-15	0260-00510	• SCREW	1	•		-41	0277-10406	• SCREW	1	••••	
-16	3241-13210	• SHAFT	1	••••		-42	3180-17110	HANGER	1	•	
-17	3241-13220	• GEAR	1	••••		-43	0224-00510	BOLT	1	•	
-18	3180-13231	• COLLAR	1	••••		-44	0280-10504	NUT	1	•	
-19	3180-13241	• HOLDER (A)	1	••••		-45	01601-20513	WASHER	1	•	
-20	3180-13252	• HOLDER (B)	1	••••							
-21	3180-13262	• BOLT	1	••••							
-22	3180-13270	• WASHER	1	••••							
-23	3180-13280	• WASHER	1	••••							
-24	3241-13310	• PINION	1	••••							
-25	06001-06000	• BEARING	1	••••							
-26	3180-13330	• RING, snap	1	••••							

Fig. 3 OPTIONAL PARTS for BC254E

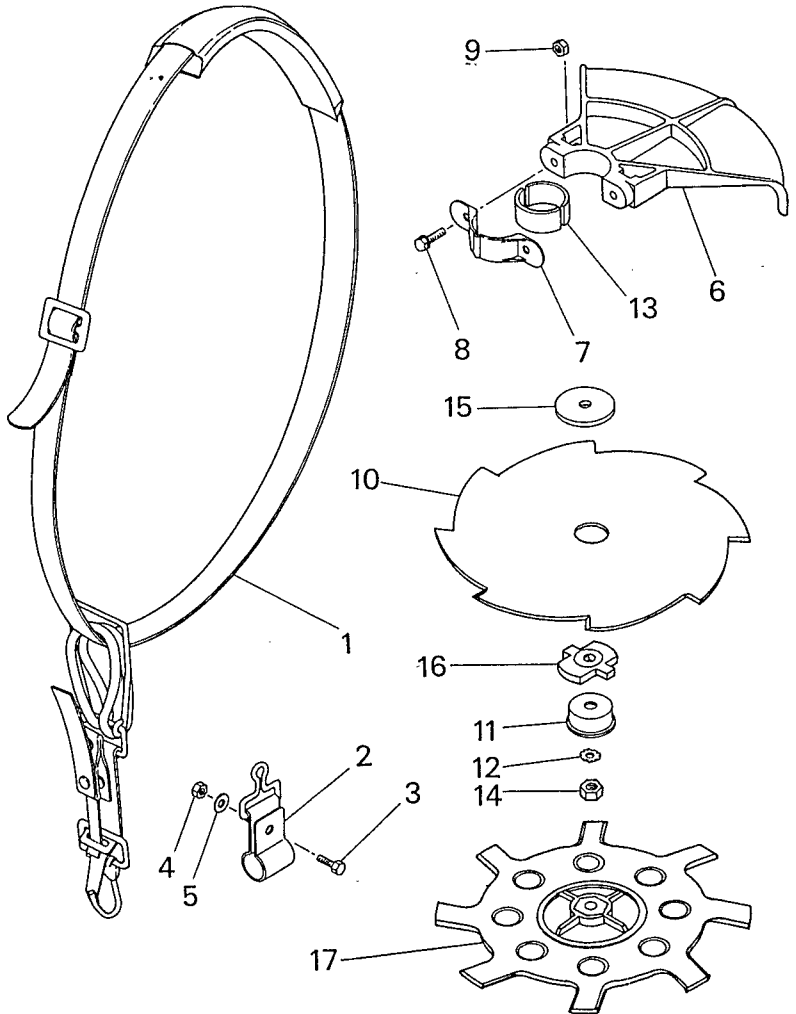
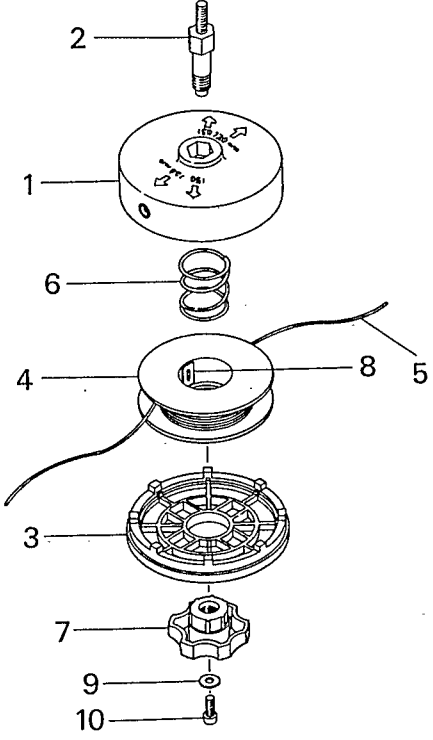


Fig. 4 OPTIONAL PARTS for BC254A



Key No.	Parts Number	Description	Q'ty	Rank	Remarks	Key No.	Parts Number	Description	Q'ty	Rank	Remarks
	3239-06030	STRAP KIT	1		OP		3253-98002	NYLON CUTTER ASSY	1	••••	OP
3- 1	3239-17200	• STRAP ASSY	1			4- 1	3144-98102	• CASE (A)	1	••••	
- 2	3239-99810	• HANGER	1			- 2	3253-98120	• SHAFT	1	••••	
- 3	0224-00614	• BOLT	1			- 3	3144-98132	• CASE (B)	1	••••	
- 4	0280-10605	• NUT	1				3254-00601	• CORD KIT	1	••••	
- 5	0290-20615	• WASHER	1			- 4	☆	••CORD HOLDER	1		☆3254-00601
	3239-99901	BLADE KIT	1		OP	- 5	3238-15180	••CORD	1	••••	
- 6	3239-99910	• COVER, blade	1			- 6	3238-15160	• KNOB	1	••••	
- 7	3242-99920	• CLAMP, blade guard	1			- 7	3144-98150	• SPRING	1	••••	
- 8	0224-10625	• BOLT	2			- 8	3238-15220	• PLATE	1	••••	
- 9	0280-10605	• NUT	2			- 9	3238-15230	• WASHER	1	••••	
-10	3239-99960	• BLADE, saw eddy \varnothing 200	1		8 teeth	-10	0260-00610	• SCREW	1	••••	
-11	3210-13340	• COVER (B)	1								
-12	0294-00808	• WASHER	1								
-13	3239-99950	• SPACER, blade guard	2								
-14	0280-10806	• NUT	1								
-15	3210-13252	• HOLDER (A)	1								
-16	3239-13261	• HOLDER (B)	1								
-17	3268-92110	PLATIC BLADE	1		OP						

Fig. 1 SPECIAL TOOLS

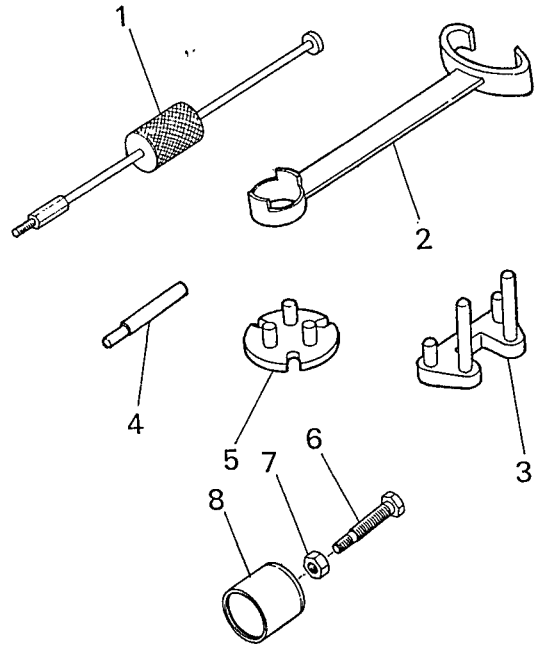


Fig. 2 OPTIONAL PARTS for BC174E

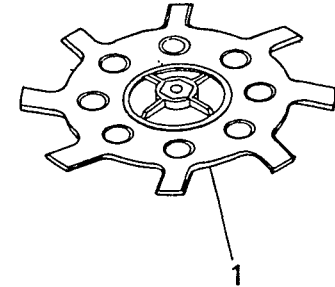
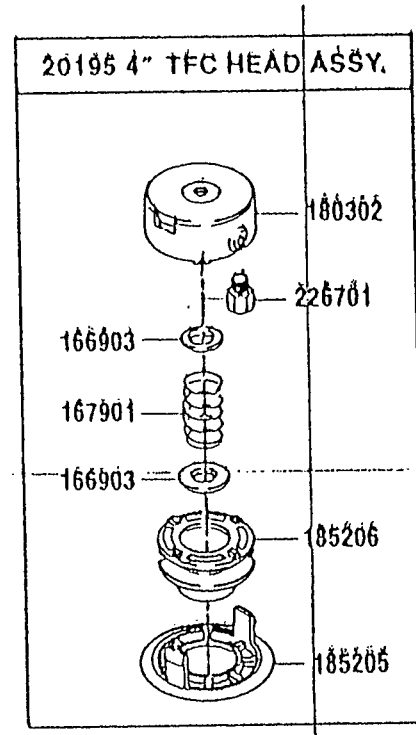
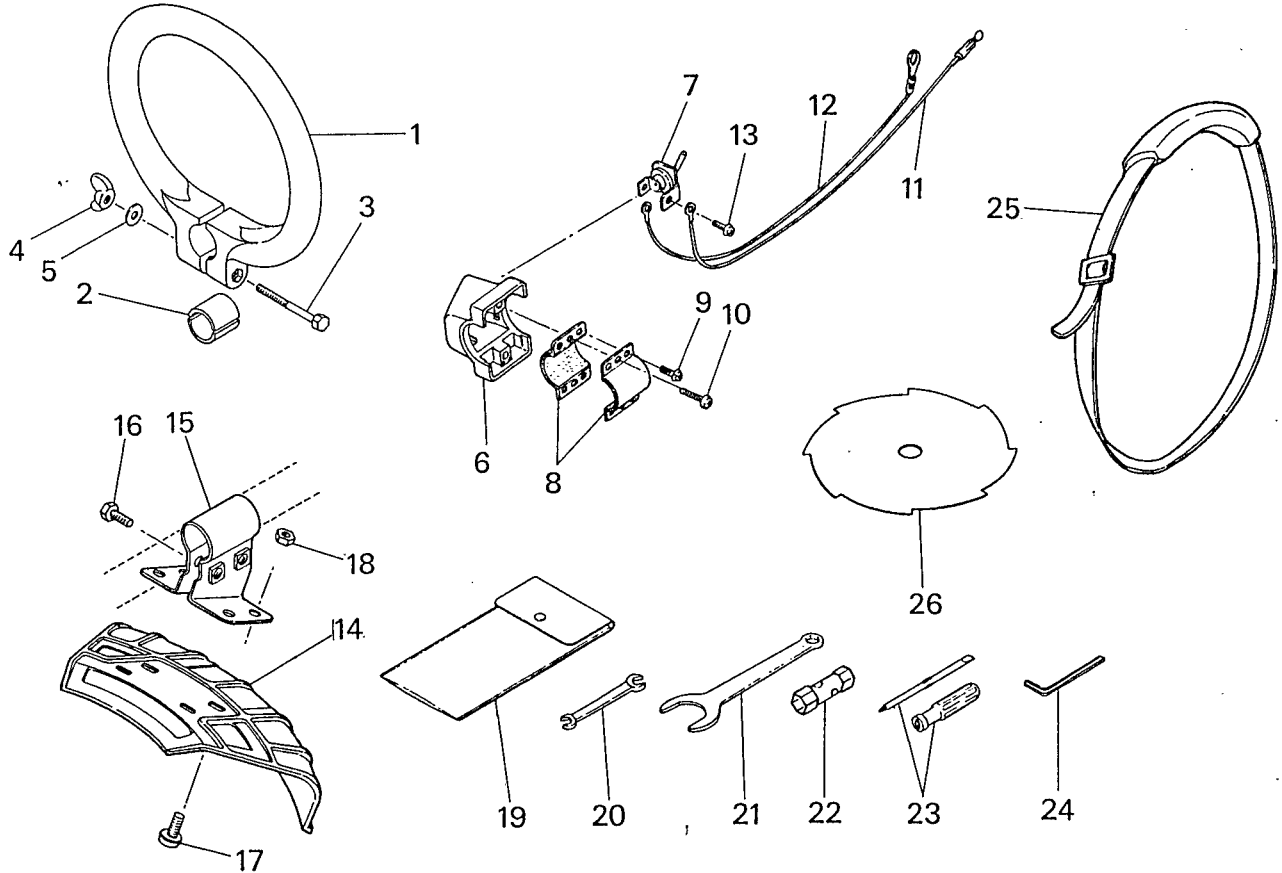


Fig. 1 SPECIAL TOOLS/ Fig. 2 OPTIONAL PARTS

BC174E/BC254E/BC254A

Key No.	Parts Number	Description	Q'ty	Rank	Remarks	Key No.	Parts Number	Description	Q'ty	Rank	Remarks
	3277-06010	SPECIAL TOOL SET	1		OP for 254E/254A	2- 1	3268-92110	PLASTIC BLADE	1		OP
	1260-00627	• SPECLAL TOOL KIT	1		OP for BC174E/254E/A		3268-15001	AUTO NYLON CORD	1		OP
1- 1	3238-99100	• BEARING PULLER	1		OP for BC174E/254E	- 2	3268-15111	• CASE (A), auto	1		
- 2	1260-99150	• WRENCH	1		OP for BC174E/254E	- 3	3268-15121	• CASE (B), auto	1		
- 3	1260-99120	• CRANKSHAFT STOPPER	1		OP for BC174E/254E/A		3268-06010	• AUTO CORD KIT	1		
- 4	1260-99140	• PISTON PIN GUIDE	1		OP for BC174E/254E/A	- 4	☆	• CORD HOLDER, auto	1		☆3268-06010
- 5	1280-99110	• CLUTCH BOSS WRENCH	1		OP for BC254E/254A	- 5	3238-15180	• CORD	1		
- 6	3180-96130	BOLT. PULLER	1		OP for BC254A	- 6	3268-151510	• PLATE, auto	1		
- 7	0280-21008	NUT	1		OP for BC254A	- 7	3268-15160	• SPRING, auto	1		
- 8	3180-96150	PULLER (B)	1		OP for BC254A	- 8	3268-15170	• PLATE, auto	1		
						- 9	0291-20816	• WASHER	1		

Fig. 10 HANDLE SWITCH STANDARD ACCESSORIES



+ pro handle

Fig. 10 HANDLE · SWITCH · STANDARD ACCESSORIES

BC254A

Key No.	Parts Number	Description	Q'ty	Rank	Remarks	Key No.	Parts Number	Description	Q'ty	Rank	Remarks
10- 1	3238-12110	HANDLE	1	••••							
- 2	3254-14110	SPACER	2	••••		2-26	3180-92142	• BLADE, saw eddy \varnothing 230	1	••••	8-teeth
- 3	0224-00650	BOLT	1	••••							
- 4	3238-12130	NUT	1	••••							
- 5	0291-20616	WASHER	1	••••							
	3586-18000	SWITCH COMP	1	••••							
- 6	3294-18110	• CASE	1	••••							
- 7	3238-14171	• SWITCH	1	••••							
- 8	3294-18120	• CLAMP	2	••••							
- 9	0260-00405	• SCREW	4	••••							
-10	0277-10410	• SCREW	2	••••							
-11	3294-18130	• CORD (A) BLACK	1	••••							
-12	3586-18140	• CORD (B) RED	1	••••							
-13	0260-00405	• SCREW	2	••••							
	3294-24000	GUARD ASSY	1	•							
-14	3231-24112	• GUARD	1	••••							
-15	3294-24120	• BRACKET	1	•							
-16	0225-10620	• BOLT	2	•							
-17	0260-30614	• SCREW	4	•							
-18	0280-10605	• NUT	4	•							
	3254-91000	TOOL SET	1	•							
-19	1820-91111	• BAG	1	•							
-20	0901-00810	• SPANNER	1	•							
-21	3130-91121	• SPANNER	1	•							
-22	3239-91310	• SOCKET	1	•							
-23	1030-91340	• DRIVER	1	•							
-24	09007-00425	• WRENCH	1	•							
-25	3180-17121	• STRAP	1	•							

" W " HANDLE FOR BC254A-6 PARTS LIST

<u>INDEX NO.</u>	<u>PARTS NUMBER</u>	<u>DESCRIPTION</u>	<u>QTY</u>	<u>REMARKS</u>	<u>PRICE LIST (YEN)</u>
	3532-14100	BRACKET ASSY	1		1,900.-
47	3541-14171	• BRACKET	1		780.-
48	3541-14182	• CAP, LOWER	1		400.-
49	3257-14190	• CAP, UPPER	1		580.-
50	01252-30522	• BOLT	6		33.-
	3541-14200	HANDLE (L) COMP	1		1,600.-
51	*	• HANDLE		*3541-14200	
52	*	• GRIP		*3541-14210	
	3589-14300	HANDLE (R) COMP	1		2,400.-
53	*	• HANDLE		*3589-14300	
54	*	• GRIP		*3589-14300	
55	3524-14400	• LEVER, THROTTLE	1		1,000.-

