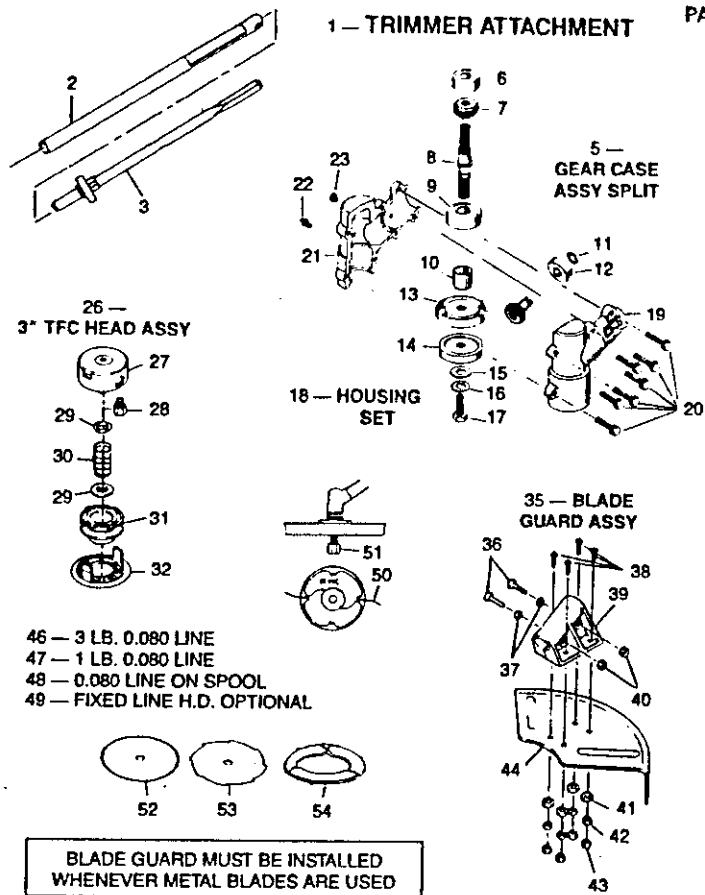


The Green Machine®

HMC, P.O. Box 560, Long Beach, CA 90801-0560
20710 So. Alameda Street, Long Beach, CA 90810

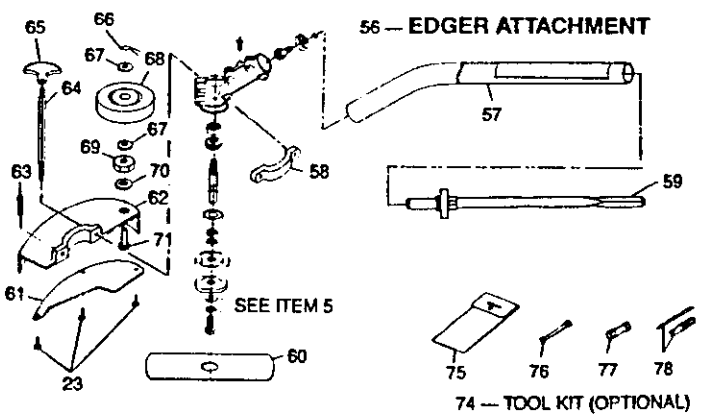
EXPLODED PARTS VIEW AND NUMERICAL PARTS LIST FOR MODEL 1930/40 AND ATTACHMENTS



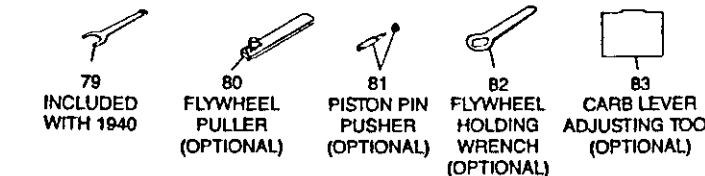
3" TFC HEAD ASSY

46 — 3 LB. 0.080 LINE
47 — 1 LB. 0.080 LINE
48 — 0.080 LINE ON SPOOL
49 — FIXED LINE H.D. OPTIONAL

BLADE GUARD MUST BE INSTALLED
WHENEVER METAL BLADES ARE USED



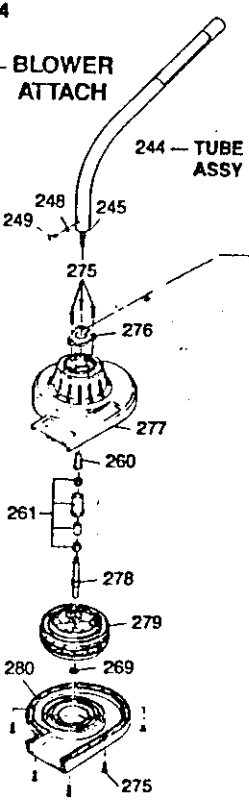
74 — TOOL KIT (OPTIONAL)



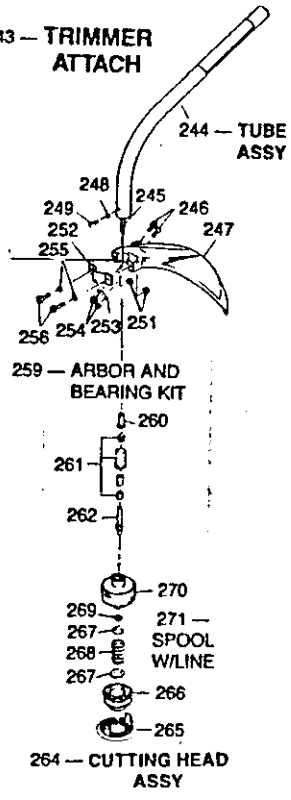
ITEM	PART NUMBER	DESCRIPTION
1	2345	TRIMMER ATTACHMENT
2	230352	TUBE ASSY 23.75
3	237804	DRIVESHAFT
4		
5	270303	GEARCASE ASSY
6	070027	BEARING
7	190609	GEAR SET KIT
8	226706	GEAR SHAFT
9	070002	BEARING
10	226705	SHAFT SPACER
11	060020	SNAP RING
12	070026	BEARING
13	300070	HOLDER A
14	300075	HOLDER B
15	041003	WASHER
16	040007	WASHER
17	300080	BOLT
18	270306	HOUSING SET
19	236711	SPLIT GEARCASE LH
20	011309	SCREW
21	236710	SPLIT GEARCASE RH
22	286710	GREASE FITTING
23	011310	SCREW
24		
25		
26	20125	3" TFC CUTTING HEAD
27	220307	3" HEAD BODY
28	226701	ARBOR
29	166903	PLATE, SPRING
30	167901	SPRING
31	165209	SPOOL
32	165208	CAP
33		
34		
35	24700	BLADE GUARD ASSY
36	011417	SCREW
37	041002	WASHER
38	011418	SCREW
39	245201	BLADE GUARD BRACKET
40	051012	NUT
41	041004	WASHER
42	041101	WASHER
43	051002	NUT
44	247001	GUARD
45		
46	31004	GREEN LINE .080 3 LB
47	31005	GREEN LINE .080 1 LB
48	32005	GREEN LINE 15 FT
49	25250	FIXED LINE HEAD ASSY
50	31105	GREEN LINE .105
51	325205	ARBOR BOLT
52	92115	8" SAW BLADE
53	92100	BRUSH BLADE
54	94110	BLADE COVER
55		
56	2351	EDGER ATTACHMENT
57	230608	TUBE ASSY 22.75"
58	236110	BRACKET EDGER GUARD
59	257802	DRIVESHAFT
60	237001	EDGER BLADE (NOT SHARP)
61	236909	EDGER SHIELD
62	236113	EDGER GUARD
63	237604	SCREW
64	236707	SHAFT HANDLE
65	190120	KNOB
66	236907	COTTER PIN
67	236908	WASHER
68	235101	POLY WHEEL
69	051017	HEX JAM NUT
70	041007	WASHER
71	237611	EDGER AXLE
72		
73		

ITEM	PART NUMBER	DESCRIPTION
74	300185	TOOL SET
75	309925	TOOL BAG
76	190105	SPANNER
77	309928	SOCKET
78	190104	SCREW DRIVER
79	300190	SPANNER
80	257602	PULLER
81	309951	PISTON PIN PUSHER
82	309732	FLYWHEEL HOLDER
83	309734	CARB LEVER ADJ TOOL

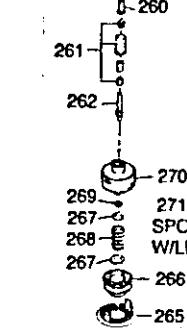
274 - BLOWER ATTACH



243 - TRIMMER ATTACH

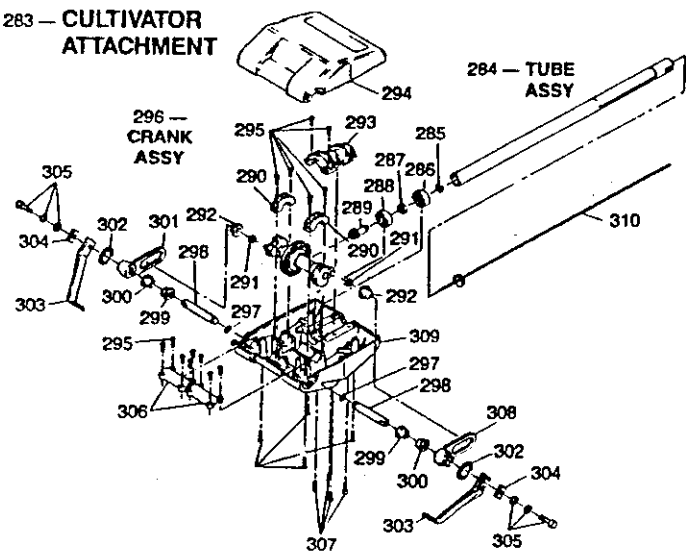


259 - ARBOR AND BEARING KIT

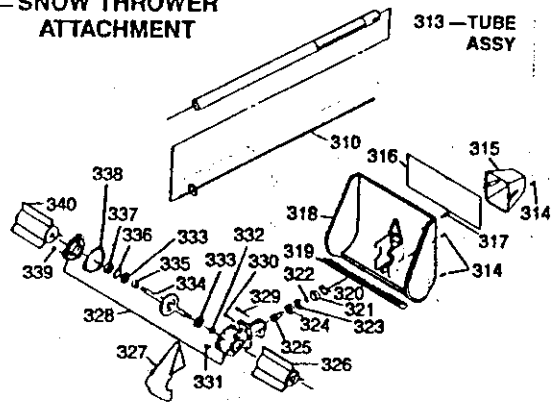


264 - CUTTING HEAD ASSY

283 - CULTIVATOR ATTACHMENT



312 - SNOW THROWER ATTACHMENT



ITEM PART NUMBER DESCRIPTION

256	011403	SCREW
257		
258		
259	160614	BUSHING & ADAPTER KIT
260	166501	ARBOR ADAPTER
261	160305	ARBOR BUSHING ASSY
262	166702	ARBOR POST
263		
264	20135	3" TFC HEAD
265	165208	CAP
266	165209	SPOOL
267	166903	PLATE, SPRING
268	167901	SPRING
269	167602	PAL NUT
270	160310	HEAD BODY
271	32005	GREEN LINE 15 FT
272		
273		
274	2361	BLOWER ATTACHMENT
275	201004	SCREW
276	235205	CLAMP BLOWER HOUSING
277	235201	UPPER FAN HOUSING
278	236701	ARBOR SHAFT
279	235203	IMPELLER
280	235202	LOWER FAN HOUSING
281		
282		
283	2371	CULTIVATOR ATTACHMENT
284	230603	TUBE ASSY 22.75
285	060008	SNAP RING
286	071012	BEARING
287	236702	SPACER
288	070005	BEARING
289	236503	PINION GEAR
290	236106	CRANKSHAFT CLAMP
291	071403	NEEDLE BEARING
292	235207	BEARING CAP
293	236104	SHAFT CLAMP
294	235206	UPPER COVER
295	011601	SCREW
296	230324	CRANK ASSY KIT
297	061301	WIRE RING
298	236704	ROCKER SHAFT
299	977706	BUSHING
300	077703	BUSHING
301	236502	ROCKER ARM R.H.
302	235701	"O" RING
303	976903	BLADE KIT
304	236706	TINE SUPPORT
305	970307	SEMS BOLT
306	236105	CLAMP ROCKER SHAFT
307	011418	SCREW
308	236501	ROCKER ARM L.H.
309	236103	LOWER COVER
310	237803	FLEX CABLE
311		
312	2381	SNOW THROWER ATTACHMENT
313	230216	TUBE ASSY 22.75 1/4" HOLE
314	012464	SCREW
315	235213	COVER B
316	239518	INSTRUCTION DECAL
317	010021	SCREW
318	237002	HOUSING
319	235503	SCRAPER BAR
320	062204	SNAP RING
321	237607	COLLAR
322	062205	SNAP RING
323	071008	BEARING
324	070006	BEARING
325	236304	PINION
326	235210	ROTOR R.H.
327	235212	COVER A
328	230338	GEAR CASE ASSY
329	030087	BOLT
330	010024	SCREW
331	012463	SCREW
332	080009	SEAL
333	070011	BEARING
334	236303	SHAFT GEAR COMP
335	237608	COLLAR
336	060005	RING
337	080010	SEAL
338	237401	GASKET
339	012462	SCREW
340	235211	ROTOR L.H.