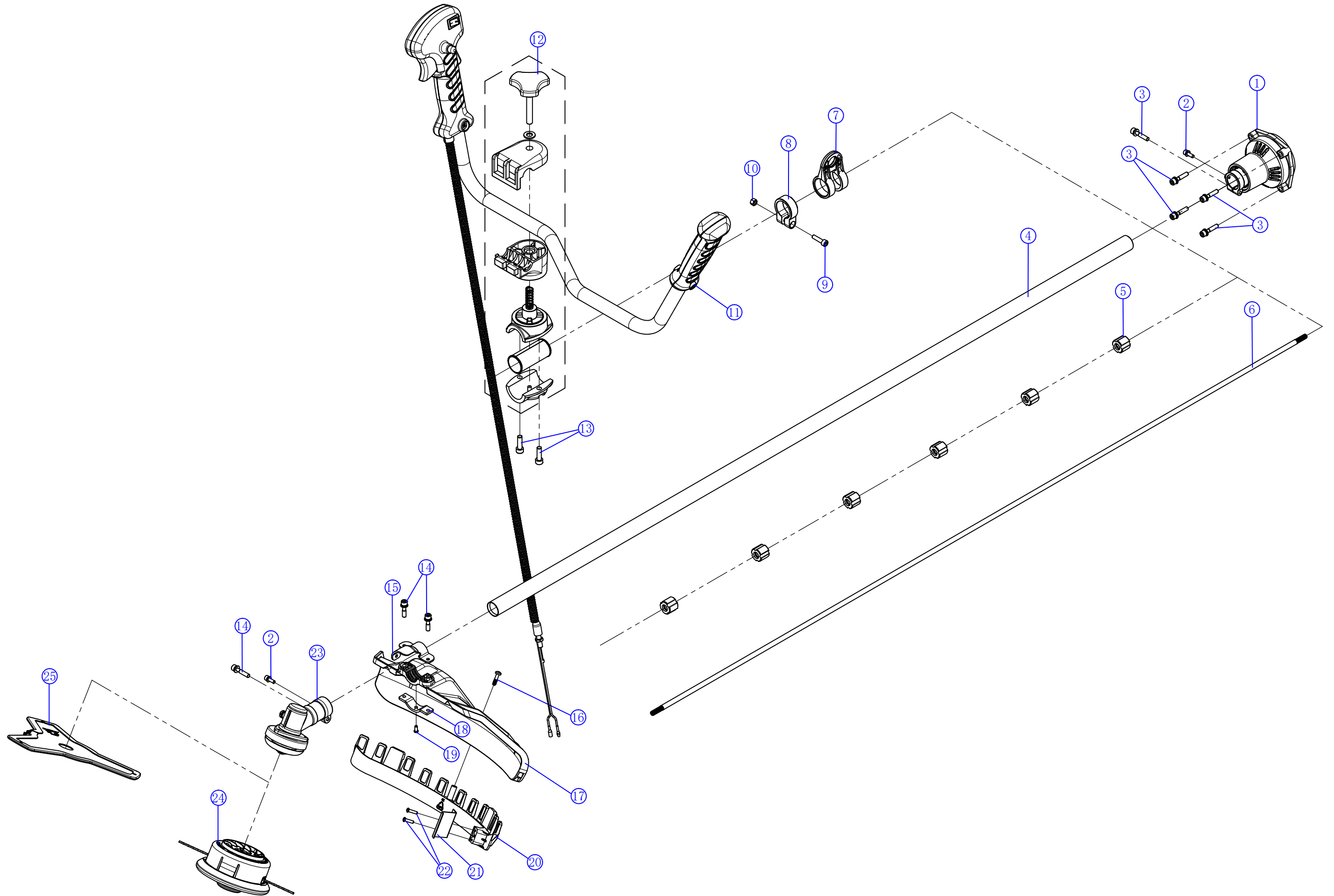


Model: BCU43  
Part Number: 90067084  
Year: 2024

POS	QTY	PARTNUMBER	BESKRIVELSE	DESCRIPTION
1	2	423190	BOLT	BOLT
2	2	423191	BØLGESKIVE 0.3X10.2X14.4	WAVE WASHER 0.3X10.2X14.4
3	1	452418	KOBLING	CLUTCH
4	2	423193	SKIVE	WASHER B
5	8	438253	SKRUE M5X20	M5X20 SCREW
6	1	452485	HUS SVINGHJUL	FLYWHEEL COVER
7	2	423141	NOT B4X10	KEY B4X10
8	1	452419	MØTRIK M8	M8 NUT
9	1	452486	SVINGHJUL	DOUBLE LAYER FLYWHEEL
10	4	452423	SKRUE M5X30	M5X30 SCREW
11	1	452487	KRUMTAPHUS	FRONT-HALF CRANKCASE
12	1	452488	TÆNDSPOLE	IGNITION COIL
13	1	423233	PAKDÅSE 15X30X7	OIL SEAL 15X30X7
14	2	443355	LEJE	BEARING 6202
15	1	452489	KRUMTAP	CRANKSHAFT & CONNECTING ROD SET
16	1	423145	NOT 3X3,8X11	HALF-ROUND KEY 3X5X13
17	1	452490	NÅLELEJE KBK10X13X15.5	NEEDLE BEARING KBK10X13X15.5
18	1	423143	PAKDÅSE 12X22X7	OIL SEAL 12X22X7
19	2	443363	BØS	PIN 6*10
20	1	423232	PAKNING	CRANKSHAFT GASKET
21	1	452491	KRUMTAPHUS	BACK-HALF CRANKCASE
22	2	423240	LÅSERING	PISTON PIN CHECK RING
23	1	423238	KRYDSPIND	PISTON PIN
24	1	452492	STEMPEL	PISTON
25	2	423239	STEMPELRING	PISTON RING
26	1	423241	PAKNING	CYLINDER GASKET
27	1	452493	CYLINDER	CYLINDER (OVERHEAD)
28	1	452494	PAKNING UDSTØDNING	MUFFLER GASKET
29	1	452495	UDSTØDNING	MUFFLER
30	1	452496	COVER UDSTØDNING	MUFFLE STEEL COVER
31	2	423132	SKRUE M5X16	SCREW M5X16
32	2	445526	SKIVE 6	FLAT WASHER 6
33	2	452435	SKRUE M6X60	M6X60 SCREW
34	1	452497	SKRUE M5X14	M5X14 SCREW
35	3	438251	SKIVE 5	FLAT WASHER 5
36	1	452498	MOTOR COVER	ENGINE COVER
37	1	452499	PLADE	AIR GUIDE PLATE
38	5	452438	SKRUE	ST3X9-H-C SCREW
39	8	445524	SKRUE M5X25	M5X25 SCREW
40	1	448367	TÆNDRØR L8RTC	SPARK PLUG
41	1	448310	PAKNING	INLET GASKET
42	1	452502	INDSUGNINGSRØR	INLET PIPE
43	1	423249	PAKNING	CARBURATOR GASKET
44	1	452503	KARBURATOR	CARBURETOR
45	1	452443	STARTTRISSE	EASY STARTER DRIVE PLATE
46	1	452504	REKYLSTARTER	STARTER ASSY
47	1	452505	CHOKER STANG	CHOCK LEVER
48	1	452448	BUNDDÆKSEL LUFTFILTER	INNER COVER OF AIR FILTER
49	1	452450	SEPERATOR	ANTI-SPRAY SEPARATOR

POS	QTY	PARTNUMBER	BESKRIVELSE	DESCRIPTION
50	1	452449	CHOKER VENTIL	CHOCK VALVE
51	2	438250	FJEDERSKIVE 5	SPRING WASHER 5
52	2	452451	SKRUE M5X55	M5X55 SCREW
53	1	448376	LUFTFILTER	AIR FILTER SPONGE
54	1	452506	TOPDÆKSEL LUFTFILTER	OUTER COVER OF AIR FILTER
55	1	452507	BRÆNDSTOFTANK KPL.	FUEL TANK ASSY
55,1	1	452508	BRÆNDSTOFTANK	FUEL TANK
55,2	1	452455	SLANGESÆT BRÆNDSTOF	FUEL PIPE SET
55,3	1	452456	TANKDÆKSEL	FUEL TANK CAP SET
56	4	452457	SKRUE M5X16	M5X16 SCREW



POS	QTY	PARTNUMBER	BESKRIVELSE	DESCRIPTION
1	1	452458	TRANSMISSION	TRANSSION SUPPORT ASSY
2	6	423185	SKRUE M6X30	SCREW M6X30
3	2	448443	SKRUE M5X14	M5X14 HEX SCREW
4	1	452514	RØR	ALUMINUM WORKING SHAFT ASSY 26X1495
5	6	419002	BØSNING	BUSHING
6	1	452515	AKSEL	HARD SHAFT 8X1540
7	1	419518	KROG	HOOK
8	1	419519	BÆREKROG	HOOK
9	1	438295	SKRUE M5X30	M5X30 SCREW
10	1	419014	MØTRIK M5	NUT M5
11	1	465086	HÅNDTAG MED GASGREB KPL.	U TYPE HANDLE ASSY
12	1	423187	STYRHOLDER KOMPLET	GUIDE HOLDER
13	2	423178	BOLT M6X20	SCREW M6X20
14	2	448318	SKRUE M6X25	M6X25 SCREW
15	1	448319	VINKELBESLAG TIL SKÆRM	GUARD COVER CONNECTER PLATE
A	1	452516	SKÆRM KPL.	PROTECTION GUARD ASSY C
16	1	445539	SKRUE ST4.8X20-H-F	ST4.8X20-H-F
17	1	448320	SKÆRM	PLASTIC PROTECTION GUARD
18	1	448321	BESLAG	LOWER PRESS PLATE
19	1	438279	SKRUE ST4.2X10-H-F	ST4.2X10-H-F SCREW
20	1	445535	SKÆRM STØTTE	PROTECTION GUARD HOLDER
21	1	448322	KNIV	NYLON LINE CUTTING BLADE
22	2	445534	SKRUE ST4.2X16-H-F	ST4.2X16-H-F
23	1	448323	VINKELGEAR	GEAR BOX M
24	1	419030	TRIMMERHOVED	TRIMMER HEAD DB
25	1	427117	3-TANDSKLINGE	BLADE