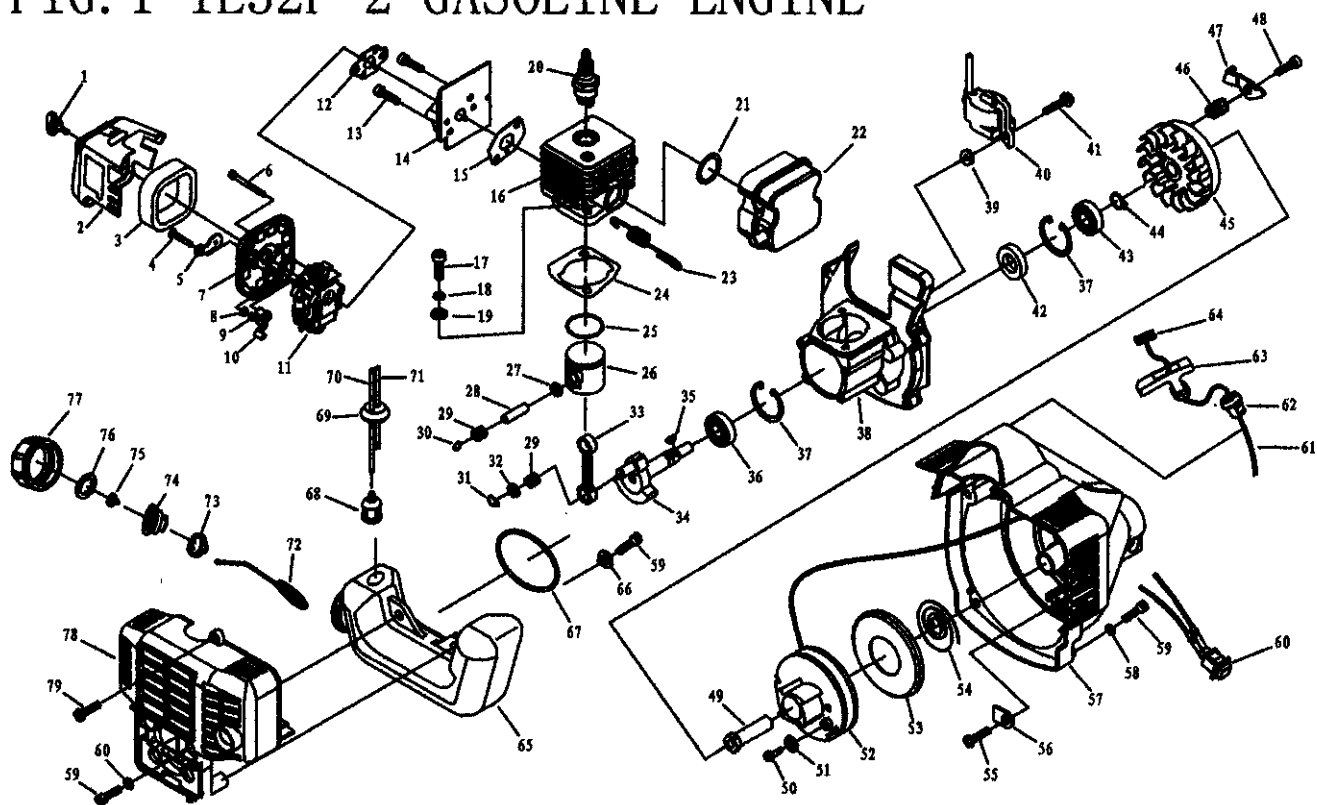
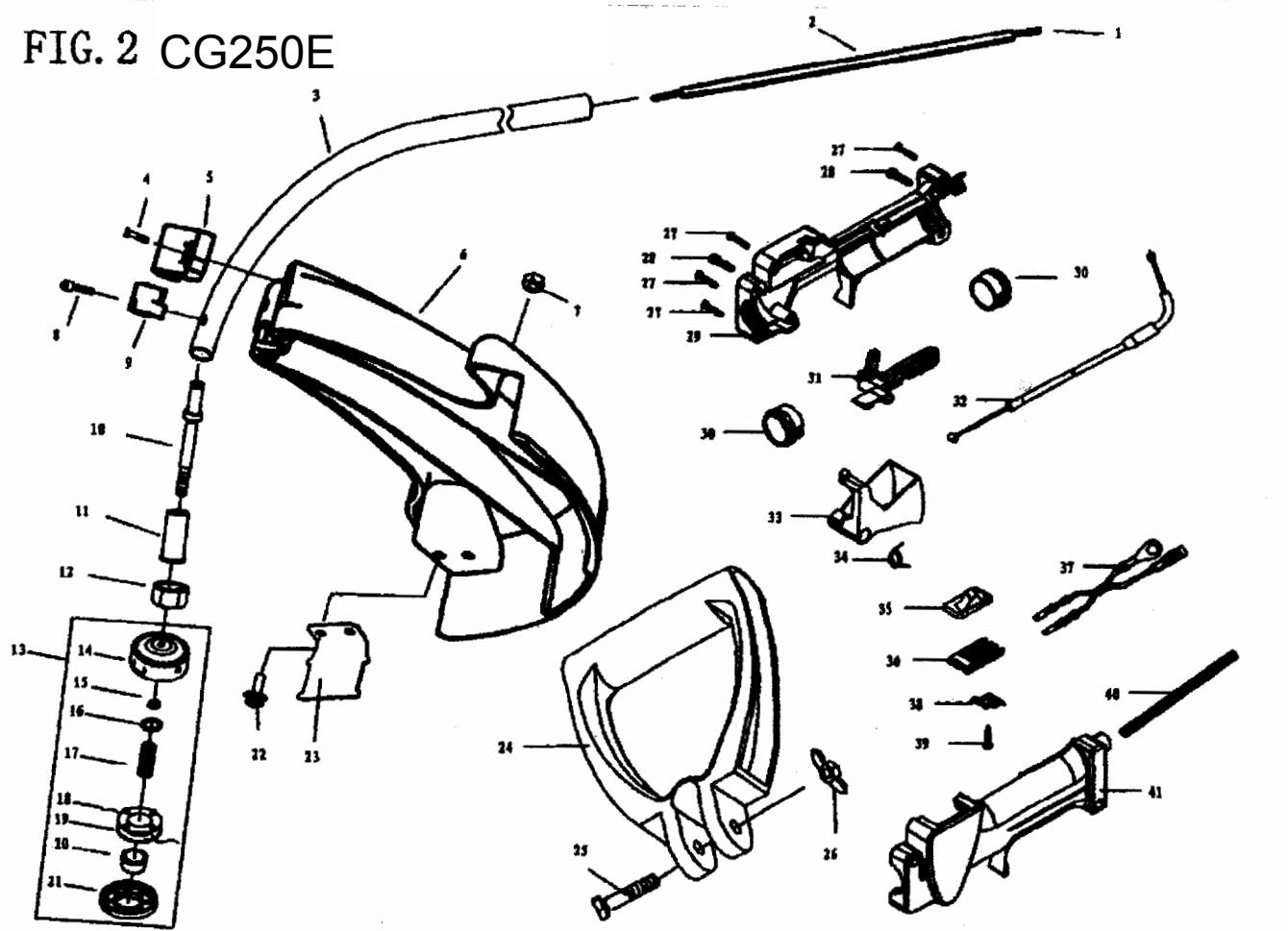


FIG. 1 1E32F-2 GASOLINE ENGINE



NO.	Part NO.	Part Name	Qty.	NO.	Part NO.	Part Name	Qty.	NO.	Part NO.	Part Name	Qty.
1	1E34F. 1. 2	Screw	1	28	1E32F-2. 4-3	Piston Pin	1	55	GB/T845	Screw ST4. 8×16-F	2
2	1E34F. 1-4	Cleaner Outside Cover	1	29	1E34F. 6-4	Bearing	2	56	1E32F-2. 2-1	Flash Pan	2
3	1E34F. 1-1	Filter	1	30	1E32F-2. 4-2	Ring	2	57	1E32F-2. 2-2	Front Cover	1
4	GB/T845	Screw ST4. 2×12-F	1	31	GB/T894. 1	Stop Ring 8	1	58	GB/T848	Washer 5	8
5	1E34F. 1-3	Choker	1	32	1E32F-2. 4-5	Washer	1	59	GB/T70. 1	Screw M5×20	10
6	GB/T9074. 4	Screw M5×50	2	33	1E32F-2. 4-4	Link	1	60	1E32F-2. 2. 1	Stop Switch	1
7	1E34F. 1. 1	Cleaner Inside Cover	1	34	1E32F-2. 4. 1	Crank Shaft	1	61		Start Rope	1
8	GB/T6172	Nut M4	1	35	GB/T1099	Key 3×5×13	1	62	1E32F-2. 2-6	Ring	1
9	1E34F. 1-7	Bush	1	36	GB/T 276	Bearing 6001/P6	1	63	1E36F. 1-1	Start Handle	1
10	1E34F. 1-2	Choker Handle	1	37	GB/T 893. 1	Ring 28	2	64	1E36F. 1-5	Washer	1
11	1E32FL. 7	Carburetor	1	38	1E32F-2. 5-1	Crank Case	1	65	1E32F-2. 6-1	Fuel Tank	1
12	1E34F-1A	Gasket	1	39	1E32F-2-6	Washer	2	66	1E32F-2-10	Bush	2
13	GB/T9074. 4	Screw M5×25	2	40	1E32F-2. 3-1	Ignition Coil Comp.	1	67	1E32F-2-9	O-Ring	1
14	1E32F-2-1	Admitting Port	1	41	GB/T9074. 4	Screw M4×30	2	68	1E34F. 9. 2-3	Cleaner	1
15	1E32F-2-2	Gasket	1	42	1E32F-2. 5. 1	Oil-seal	1	69	1E36FF. 8. 1-1	Plug	1
16	1E32F-2-3	Cylinder	1	43	GB/T 276	Bearing 6001-LS/P6	1	70		Outlet Fuel Pipe	1
17	GB/T70. 1	Screw M6×20	2	44	GB/T 894. 1	Ring 12	1	71		Inlet Fuel Pipe	1
18	GB/T93	Washer 6	2	45	1E32F-2. 3-2	Magneto Rotor	1	72	1E32FL. 6. 2-4	Chain	1
19	GB/T848	Washer 6	2	46	1E32F-2. 3-4	Start Spring	2	73	1E32FL. 6. 2-3	Lid	1
20	L6	Spark Plug	1	47	1E32F-2. 3-3	Start Claw	2	74	1E32FL. 6. 2-2	Inside Cover	1
21	1E32F-2-5	Gasket	1	48	GB/T109	Screw 5×18	2	75	EB-415. 4. 1. 1-1	Inlet	1
22	1E32F-2. 1	Muffler	1	49	1E32F-2-11	Connect Shaft	1	76	CG420. 1. 3. 1-2	Gasket	1
23	1E32F-2-4	Spring	2	50	GB/T5282	Screw ST3. 5×6. 5-F	1	77	1E32FL. 6. 2-1	Fuel Tank Lid	1
24	1E32F-2-8	Gasket	1	51	1E32F-2. 4-7	Washer	1	78	1E32F-2-7	Rear Cover	1
25	1E32FL. 3-1	Piston Ring	1	52	1E32F-2. 2-5	Ratchet Wheel	1	79	GB/T845	Screw ST4. 8×22-F	1
26	1E32F-2. 4-1	Piston	1	53	1E32F-2. 2-4	Outer Cover	1				
27	1E34F. 6-1	Ring	2	54	1E32F-2. 2-3	Recoil Spring	1				

FIG. 2 CG250E



NO.	Part NO.	Part Name	Qty.	NO.	Part NO.	Part Name	Qty.
1	CG260E-CE. 1.1	Flexible Shaft	1	22	GB9074. 4	Screw M5×16	2
2	CG230E. 2-2A	Bracket	1	23	CG305F. 11-1	Blade	1
3	CG230E. 2-1A	Pipe	1	24	CG230E-1	Holder	1
4	GB292	Screw M5x35	2	25	GB/T5782	Screw M6×40	1
5	CG260E-6	Holder	1	26	GB/T62	Nut M6	1
6	CG260E-5	Safety Guard	1	27	GB/T845	Screw ST3.5×19	4
7	GB/T889. 1	Nut M5	2	28	GB/T70. 1	Screw M5×18	2
8	GB/T9074. 4	Screw M5×10	1	29	SG230. 1-1	Box, Right	1
9	CG230E-3	Bracket	1	30	SG230. 1-7	Adapter Sleeve	2
10	CG230E. 2-3	Screw Shaft	1	31	SG230. 1-4	Safety Lever	1
11	CG230E. 2-4	Bush	1	32	SG230. 1. 1	Cable Comp.	1
12	CG230E. 2-5	Nut	1	33	SG230. 1-5	Throttle Lever	1
13	CG260E. 4	Nylon Cutter Head	1	34	SG230. 1-6	Spring	1
14	CG305F. 8. 1	Case	1	35	SG230. 1. 2-3	Stop Switch	1
15	CG260E-T2	Nut	1	36	SG230. 1. 2-2	Guide Seat	1
16	CG305F. 8-5	Washer	1	37	SG230. 1. 2. 1	Stop Line	1
17	CG305F. 8-3	Spring	1	38	SG230. 1. 2-1	Touch Reed	1
18		Cord	2	39	GB/T845	Screw ST2.9×13	1
19	CG305F. 8-1	Cord Holder	1	40	SG230. 1-3	Tube	1
20	CG305F. 8-7	Platen	1	41	SG230. 1-2	Box, Left	1
21	CG305F. 8-2	Cover	1	42			