

SABRE®

Ⓞ GB PARTS LIST

FEB 15, 1993

Ⓞ F LISTE DE PIÈCES

Ⓞ NL ONDERDELENLIJST

Ⓞ D TEILELISTE

Ⓞ I ELENCO DEI PEZZI

Ⓞ E LISTA DE PIEZAS

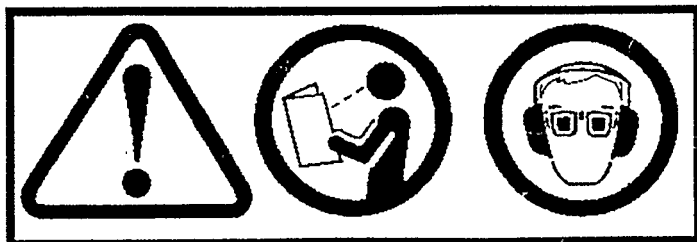
Ⓞ P LISTA DE PEÇAS

X **S-25** UT-20561-C

S-25C UT-20560-D

S-27 UT-20603

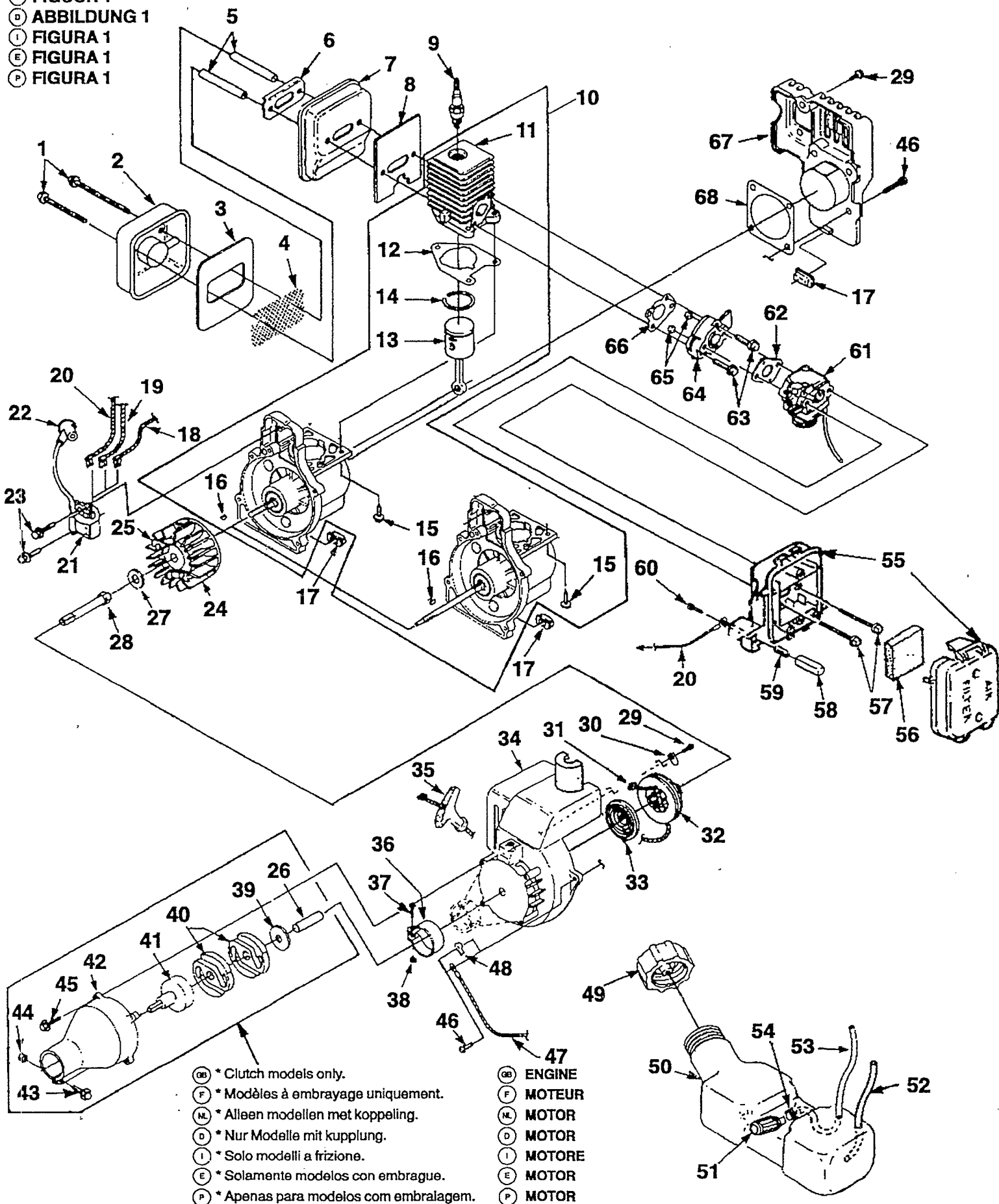
X **B-25** UT-15055-C *Hobbing*



Printed in U.S.A. Ⓞ GB
Imprimé aux É.-U. Ⓞ F
Gedruckt in de V.S. Ⓞ NL
Gedruckt in den U.S.A. Ⓞ D
Stampato negli Stati Uniti Ⓞ I
Impreso en EE.UU. Ⓞ E
Impresso nos E.U.A. Ⓞ P

P/N 18812-A

- GB FIGURE 1
- F FIGURE 1
- N FIGUR 1
- D ABBILDUNG 1
- I FIGURA 1
- E FIGURA 1
- P FIGURA 1



- GB * Clutch models only.
- F * Modèles à embrayage uniquement.
- N * Alleen modellen met koppeling.
- D * Nur Modelle mit Kupplung.
- I * Solo modelli a frizione.
- E * Solamente modelos con embrague.
- P * Apenas para modelos con embragagem.

- GB ENGINE
- F MOTEUR
- N MOTOR
- D MOTOR
- I MOTORE
- E MOTOR
- P MOTOR

No. N° Nr. Nr. No. N°	Part No. Pièce N° Stuknummer Teil Nr. Pezzo N° No. de pieza N° da peça	Description	Qty. Quantité Aantal Menge Quantità Cantidad Quantidade
1	A-01123 88060	MUFFLER-Complete SCREW-Sems Hex Hd. (10-24 X 2 1/2")	1 2
2	A-98780	COVER-Muffler	1
3	98782	BAFFLE-Muffler	1
4	98784-A	SCREEN-Spark	1
5	98860-A	SPACER-Muffler	2
6	98783	PLATE-Reinforcing	1
7	A-01323	BODY-Muffler	1
8	98786-B	GASKET-Muffler	1
9	79252	SPARK PLUG	1
10	●A-00410-A	SHORT BLOCK (S25, S27)	1
11	●A-03259	CYLINDER	1
12	04388	GASKET-Cylinder	1
13	●A-04258	PISTON & ROD	1
14	96935	RING-Piston	1
15	82568	SCREW-Mach. Pan Hd. (10-24 X 3/4")	3
16	69250	KEY-Woodruff	1
10	●A-00408-A	SHORT BLOCK (S25C, B25)	1
11	●A-03259	CYLINDER	1
12	04388	GASKET-Cylinder	1
13	●A-04258	PISTON & ROD	1
14	96935	RING-Piston	1
15	82568	SCREW-Mach. Pan Hd. (10-24 X 3/4")	3
16	69250	KEY-Woodruff	1
7	98792	BUMPER-Rubber	3
18	A-00681	LEAD-Electrical (B25)	1
19	A-03912	LEAD-Electrical (S25C)	1
20	A-98809	LEAD-Electrical (S25, S27)	1
21	94711-CS	MODULE-Ignition	1
22	A-33055	TERMINAL-Hi Tension	1
23	82540	SCREW-Taptite (8-32 X 1")	2
24	●A-04158	ROTOR & STARTER PAWL (S25, S27)	1
25	A-70285-E	STARTER PAWL KIT	1
24	●A-00856	ROTOR & STARTER PAWL (S25C, B25)	1
24	●A-04158	ROTOR & STARTER PAWL (S25C, B25)	1
25	A-70285-E	STARTER PAWL KIT	1
26	03566-2	SPACER	1
27	95479-A	WASHER-Flat	1
27	84065	WASHER-FLAT (S25, S27)	1
28	98795-A	CONNECTOR-Drive (S25, S27)	1
29	82541	SCREW-Plastite (#10 X 1/2")	4
30	98791	BRACKET-Retaining	1
31	98770	PULLEY-Starter	1
32	97899-02	ROPE-Starter	1
33	A-98773	SPRING & CONTAINER	1
34	A-02096	HOUSING-Engine (S25, S27)	1
	A-02097	HOUSING-Engine (S25C, B25)	1

No. N° Nr. Nr. No. N°	Part No. Pièce N° Stuknummer Teil Nr. Pezzo N° No. de pieza N° da peça	Description	Qty. Quantité Aantal Menge Quantità Cantidad Quantidade
35	02264	GRIP-Starter	1
36	98802-A	CLAMP	1
37	82268	SCREW-Hex Sems (10-24 X 3/8")	1
38	97574	NUT-Square	1
39	98929-A	WASHER-Clutch (S25C, B25)	1
40	00242	CLUTCH (S25C, B25)	2
41	A-02727	CONNECTOR & DRUM (S25C, B25)	1
42	●A-02395-A	TUBE ADAPTOR (S25C, B25)	1
43	88054	SCREW-(20-24 X 1 1/4")	1
44	81208	NUT-(10-24)	1
45	88052	SCREW-(10-24 X 7/8")	4
46	82538	SCREW-Taptite (10-24 X 3/4")	8
47	A-98919-A	LEAD-Ground (S25C, B25)	1
48	02851	TERMINAL (S25C, B25)	1
49	A-00982-A	FUEL CAP	1
50	●A-01441	FUEL TANK	1
51	49422	FILTER-Fuel	1
52	01439-32	TUBING-Rubber (8")	1
53	94772-32	TUBING-Rubber (8")	1
54	98268	CLAMP-Wire	1
55	A-01440-A	AIR FILTER BOX	1
56	D-98760-A	FILTER-Air	1
57	82542	SCREW-(10-24 X 2 1/4")	1
58	98769	BUTTON-Switch (S25, S27)	1
59	95020	SPRING-Compression (S25, S27)	1
60	82513	SCREW-Plastite (#6) (S25, S27)	1
61	A-03003	CARBURETOR (Zama)	1
	A-03002	CARBURETOR (Walbro)	1
62	98766-A	GASKET-Carburetor	1
63	82549-1	SCREW-Taptite (10-24 X 1")	2
64	98768	HEAT DAM	1
65	81208	NUT-(10-24)	2
66	98765-B	GASKET-Heat Dam	1
67	●A-00858	CRANKCASE COVER	1
68	98767-A	GASKET-Crankcase Cover	1

NOTE: Clutch Models - B25, S25C.
Non-Clutch Models - S25, S27.

NOTE: Modèles à embrayage - B25, S25C.
Modèle sans embrayage - S25, S27.

N.B.: Modellen met koppeling - B25, S25C.
Modellen zonder koppeling - S25, S27.

HINWEIS: Modelle mit kupplung - B25, S25C.
Modelle ohne kupplung - S25, S27.

NOTA: Modelli con frizione - B25, S25C.
Modelli senza frizione - S25, S27.

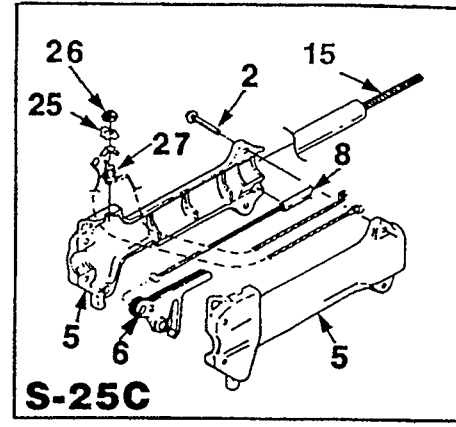
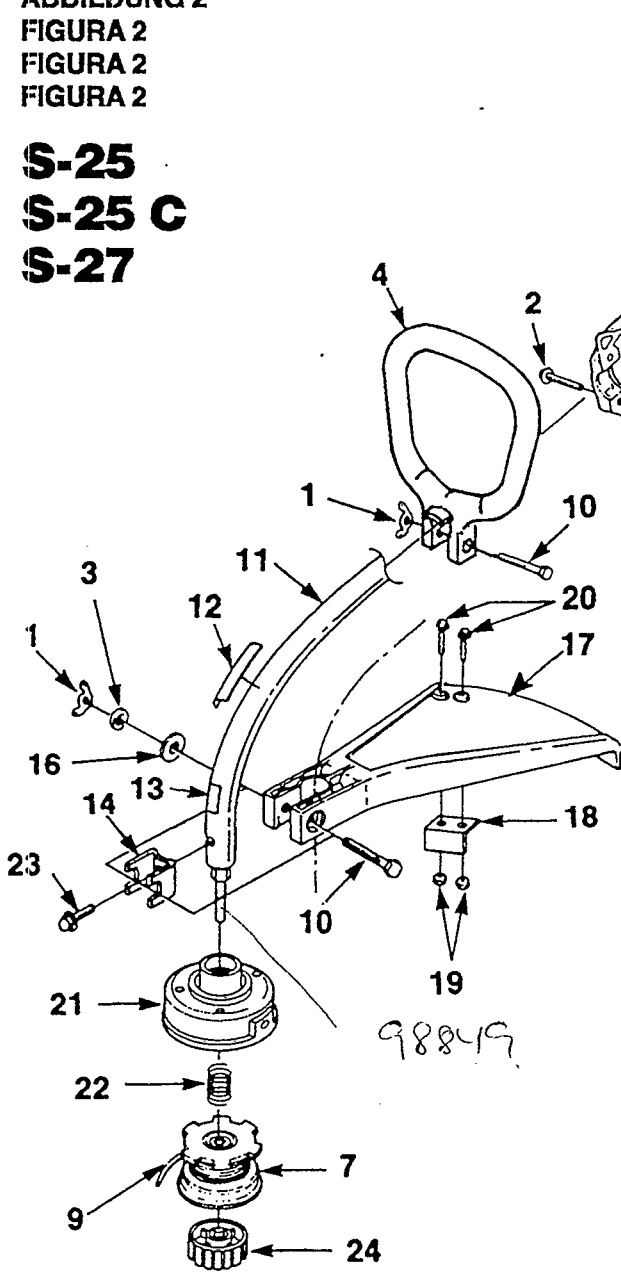
NOTE: Modelos con embrague - B25, S25C.
Modelos sin embrague - S25, S27.

NOTA: Modelos de embraiagem - B25, S25C.
Modelos sem embraiagem - S25, S27.

- Assemblies
- Ensembles
- Assemblages
- Bausätze
- Complessi
- Conjuntos
- Conjuntos

JRE 2
 FIGURE 2
 FIGUR 2
 ABBILDUNG 2
 FIGURA 2
 FIGURA 2
 FIGURA 2

S-25
S-25 C
S-27



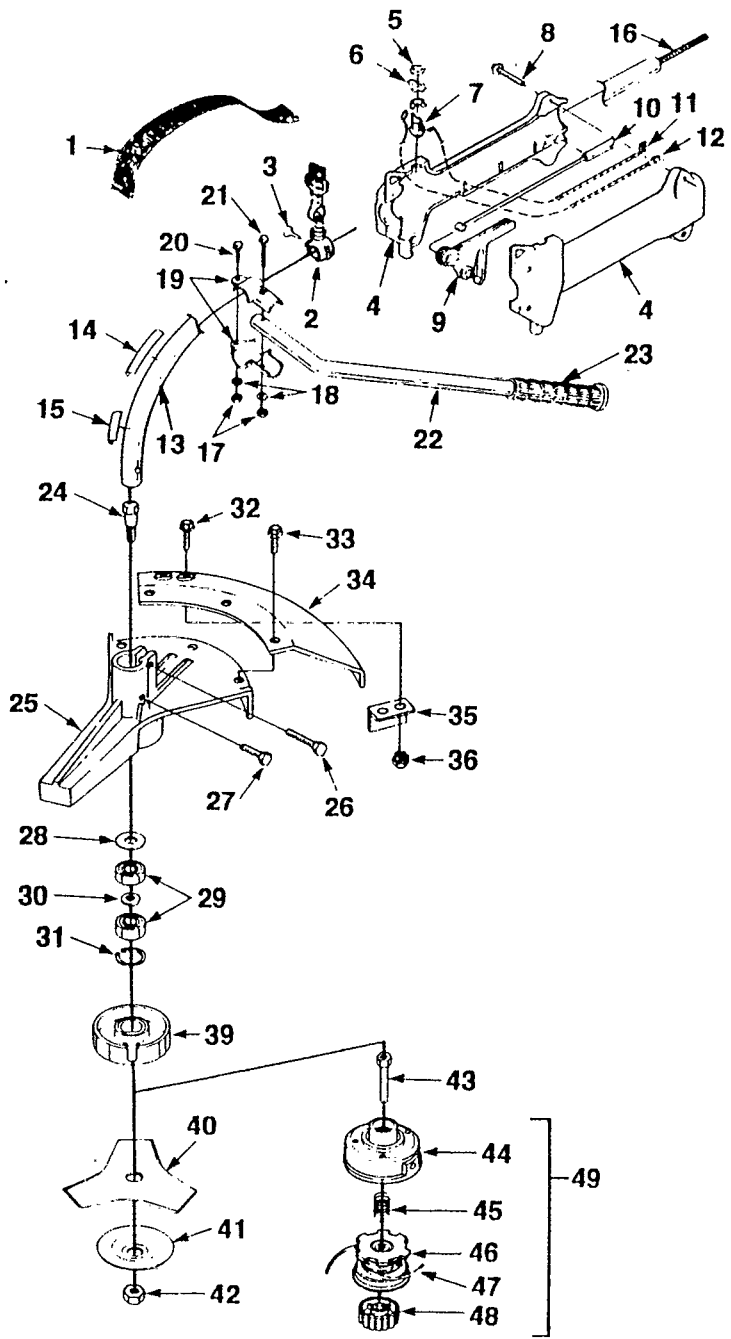
No. N° Nr. N° No. N°	Part No. Pièce N° Stuknummer Teil Nr. Pezzo N° No. de pieza N° da peça	Description	Quantity Quantité Aantal Menge Quantità Cantidad Quantidade
1	93992	NUT-Wing	2
2	82368	SCREW-Plastite	5
3	83009	WASHER-Lock (1/4")	1
4	98822	HANDLE-Front (S25, S25C)	1
	95110-C	HANDLE-Front (S27)	1
5	● A-00879	HANDLE GRIP ASSEMBLY	1
6	98772-A	TRIGGER	1
7	DA-98912-A	SPOOL & STRING (Dual Line)	1
8	A-03006	CABLE-Throttle	1
9	DA-97952-B	LINE-Replacement (.080" Dia. 100 ft.)	1
10	80295	SCREW-(1/4-20 X 2")	2
11	● A-04459	HOUSING-Drive Shaft	1
12	04458	DECAL-Starting Instructions	1
13	02985	DECAL-Warning	1
14	98853	CLAMP	1
15	98816	SHAFT-Flex	1
16	84006	WASHER-Flat (1/4")	1
17	98821	DEFLECTOR-Grass (S25, S27)	1
	02610	DEFLECTOR-Grass (S25C)	1
18	● A-03834	BLADE-Cut-off (S25)	1
19	81261	NUT (10-24)	2
20	82531	SCREW-(10-24 X 1")	2
	● A-03832	BLADE-Cut-off (S25C, S27)	1
	81261	NUT (10-24)	2
	82531	SCREW-(10-24 X 1")	2
21	A-98231-A	HOUSING & EYELET-Dual Line	1
22	98848	SPRING-Compression	1
23	82541	SCREW-Thread Forming	1
24	DA-98866-A	RETAINER-Spool (R.H. Thread)	1
25	95231	PLATE-Indicating (S25C)	1
26	72084-A1	NUT (S25C)	1
27	93653	SWITCH-Toggle (S25C)	1

- (G) • Assemblies
- (F) • Ensembles
- (NL) • Assemblages
- (D) • Bausätze
- (I) • Compressi
- (E) • Conjuntos
- (P) • Conjuntos

FIGURE 4

ST-185BC, HBC-18

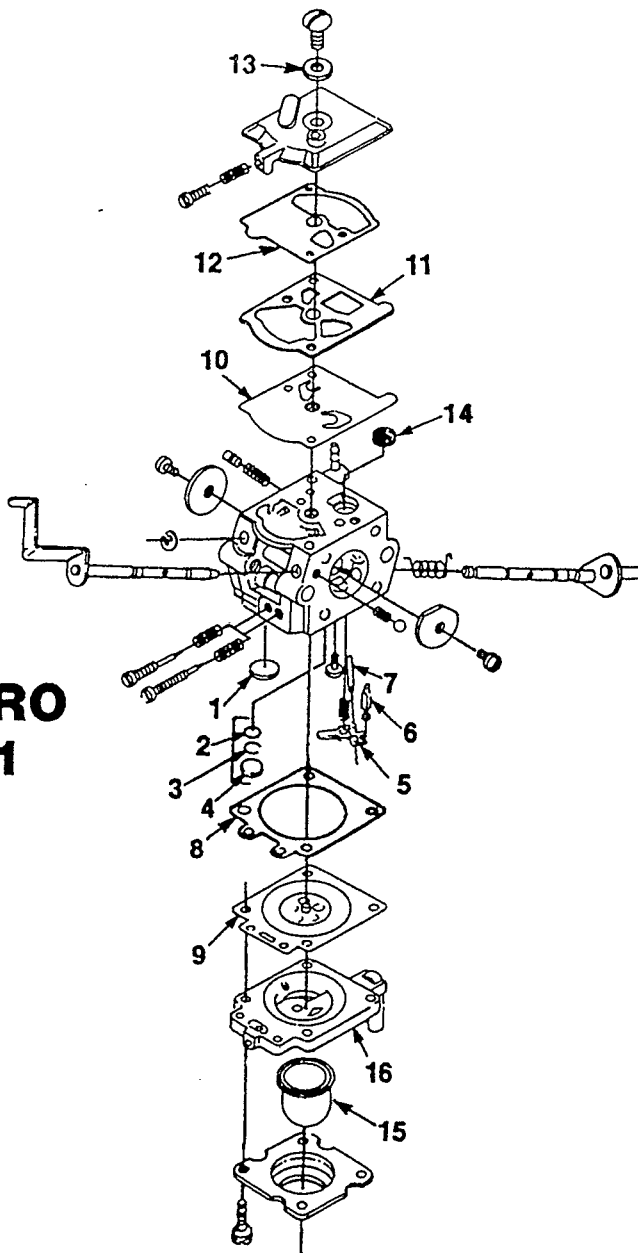
S 25 BC



No.	Part No.	Description	Qty.	No.	Description	Qty.	
1	DA-92703-B	HARNESSE w/Connector	1	32	80869	SCREW-Mach Hex Hd. (10-24 X 3/8")	2
2	• A-94442	BRACKET-Hanger	1	33	80681-3	SCREW-Mach Hex Hd. (1/4-20 X 1/2")	3
3	82260	SCREW-Thumb (10-24 X 1/2")	1	34	98845-1	DEFLECTOR-Grass	1
4	• A-03911-1	HANDLE GRIP ASSEMBLY	1	35	98858	BLADE-Cut-Off	1
5	72084-A1	NUT-Toggle Switch	1	36	81208	NUT (10-24)	2
6	95231	PLATE-Indicating	1	37	• A-02951	HANDLE BAR ("J") (HBC-18)	1
7	93653	SWITCH-Toggle	1	38	94474-B	GRIP	1
8	82368	SCREW-Plastite (#8 X 3/4")	4	39	98835-1A	WASHER-Flanged	1
9	98772-A	TRIGGER	1	40	D-98717-A	BLADE-Tri-Arc (8")	1
10	A-03006	CABLE-Throttle	1	41	98836	WASHER-Cupped	1
11	A-03912	LEAD-Electrical	1	42	98837	NUT-Hex Locking (R.H.)	1
12	A-98919-A	LEAD-Ground	1	43	98849	CONNECTOR-Drive	1
13	• A-03287-B	HOUSING-Drive Shaft (Black)	1	44	A-98231-A	HOUSING & EYELET (Dual Line)	1
14	04458	DECAL-Starting Instructions	1	45	98848	SPRING-Compression	1
15	02985	DECAL-Warning	1	46	DA-98912-C	SPOOL & STRING (Dual Line) (ST-185BC)	1
16	98818	SHAFT-Flex	1		DA-02598-A	SPOOL & STRING (Dual Line) (HBC-18)	1
17	81267	NUT (1/4-20)	2	47	98011-05	LINE-Replacement (ST-185BC) (.080" Dia. 1lb. Box)	1
18	83061	WASHER (1/4")	2		03959-03	LINE-Replacement (HBC-18) (.095" Dia. 1lb. Box)	1
19	00422	CLAMP-Handle Bar	2	48	DA-98866-A	RETAINER-Spool (R.H. Thread)	1
20	88078	SCREW-Sems Hex Hd. (1/4-20 X 1")	1	49	A-03001 ✕	STRING HEAD COMPLETE (.080 Line) (ST-185BC)	1
21	88071	SCREW-Sems Hex Hd. (1/4-20 X 1 1/2")	1		A-04591	STRING HEAD COMPLETE (.095 Line) (HBC-18)	1
22	• A-97709-A	HANDLE BAR (ST-185BC)	1				
23	94474-B	GRIP	1				
24	98834-A	SHAFT-Spindle	1				
25	• A-04457	HOUSING-Lower Bearing	1				
26	88078	SCREW-Sems Hex Hd. (1/4-20 X 1")	1				
27	80869	SCREW-Mach Hex Hd. (10-24 X 3/8")	1				
28	98838	WASHER-Thrust	1				
29	98798	BEARING-Ball	2				
30	98839	SPACER-Bearing	1				
31	98799	RING-Retaining	1				

• ASSEMBLIES

- GB CARBURETOR
- F CARBURATEUR
- NL CARBURATEUR
- D VERGASER
- I CARBURATORE
- E CARBURADORE
- P CARBURADOR



WALBRO
WT-191
A-03002

z

- GB Repair Kit (1-14) A-02665
- F Jeu de réparation
- NL Reparatieset
- D Reparatursatz
- I Kit per riparazioni
- E Juego de reparación
- P Jogo de reparacao

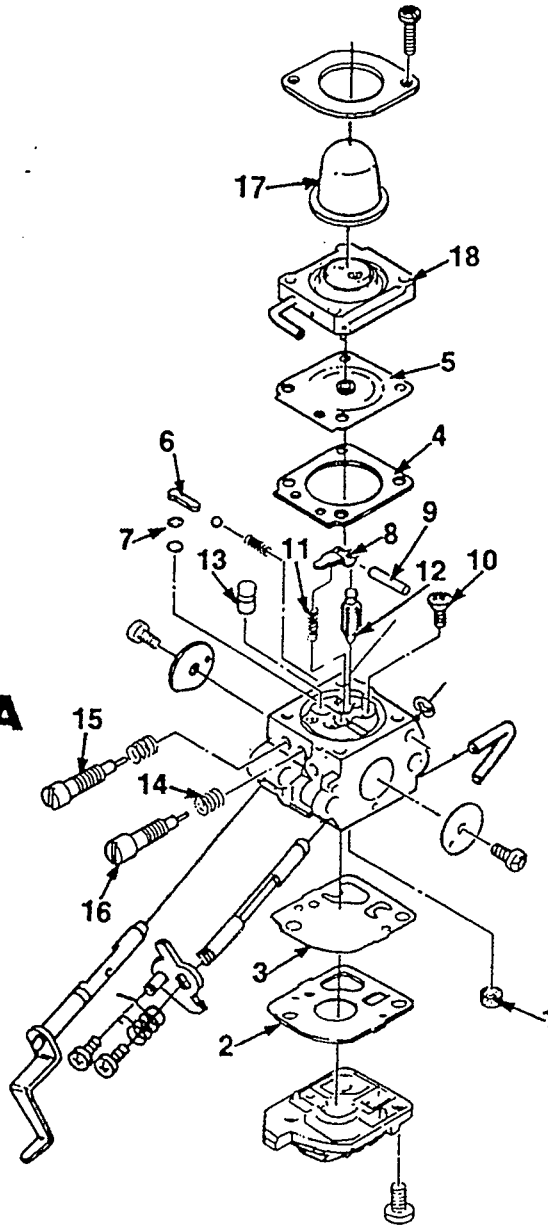
- GB Gasket/Diaphragm Kit (9-13) A-00285-A
- F Jeu joint/diaphragme
- NL Pakking/membraan set
- D Dichtung/Membrane-Satz
- I Kit diaframma/guarnizione
- E Conjunto junta/diafragma
- P Jogo de juntas vedantes/diafragmas

- GB Primer Bulb 15 01201
- F Bouton d'amorçage
- NL Voorinspuitpomp
- D Vorpumpe
- I Cicchetto
- E Bulbo cebador
- P Bolha da unidade de escorvagem

- GB Primer Base 16 A-01200-A
- F Base d'amorçage
- NL Voorinspuit-sokkel
- D Vorpumpen-Sockel
- I Base del cicchetto
- E Base de cebador
- P Base da unidade de escorvagem

- Ⓒ CARBURETOR
- Ⓕ CARBURATEUR
- Ⓜ CARBURATEUR
- Ⓓ VERGASER
- Ⓘ CARBURATORE
- Ⓔ CARBURADORE
- Ⓒ CARBURADOR

ZAMA C1U-H18A A-03003



- Ⓒ Repair Kit.....(1-13) A-03979
- Ⓕ Jeu de réparation
- Ⓜ Reparatieset
- Ⓓ Reparatursatz
- Ⓘ Kit per riparazioni
- Ⓔ Juego de reparación
- Ⓒ Jogo de reparacao

- Ⓒ Gasket/Diaphragm Kit.....(2-5) A-03980
- Ⓕ Jeu joint/diaphragme
- Ⓜ Pakking/membraan set
- Ⓓ Dichtung/Membrane-Satz
- Ⓘ Kit diaframma/guarnizione
- Ⓔ Conjunto junta/diafragma
- Ⓒ Jogo de juntas vedantes/diafragmas

- Ⓒ Primer Bulb.....(14) A-01195-A
- Ⓕ Bouton d'amorçage
- Ⓜ Voorinspuitpomp
- Ⓓ Vorpumpe
- Ⓘ Cicchetto
- Ⓔ Bulbo cebador
- Ⓒ Bolha da unidade de escorvagem

- Ⓒ Primer Base.....(15) A-03062
- Ⓕ Base d'amorçage
- Ⓜ Voorinspuit-sokkel
- Ⓓ Vorpumpen-Sockel
- Ⓘ Base del cicchetto
- Ⓔ Base de cebador
- Ⓒ Base da unidade de escorvagem