

# Homelite®

## PARTS LIST



### Trimmers/Brushcutters

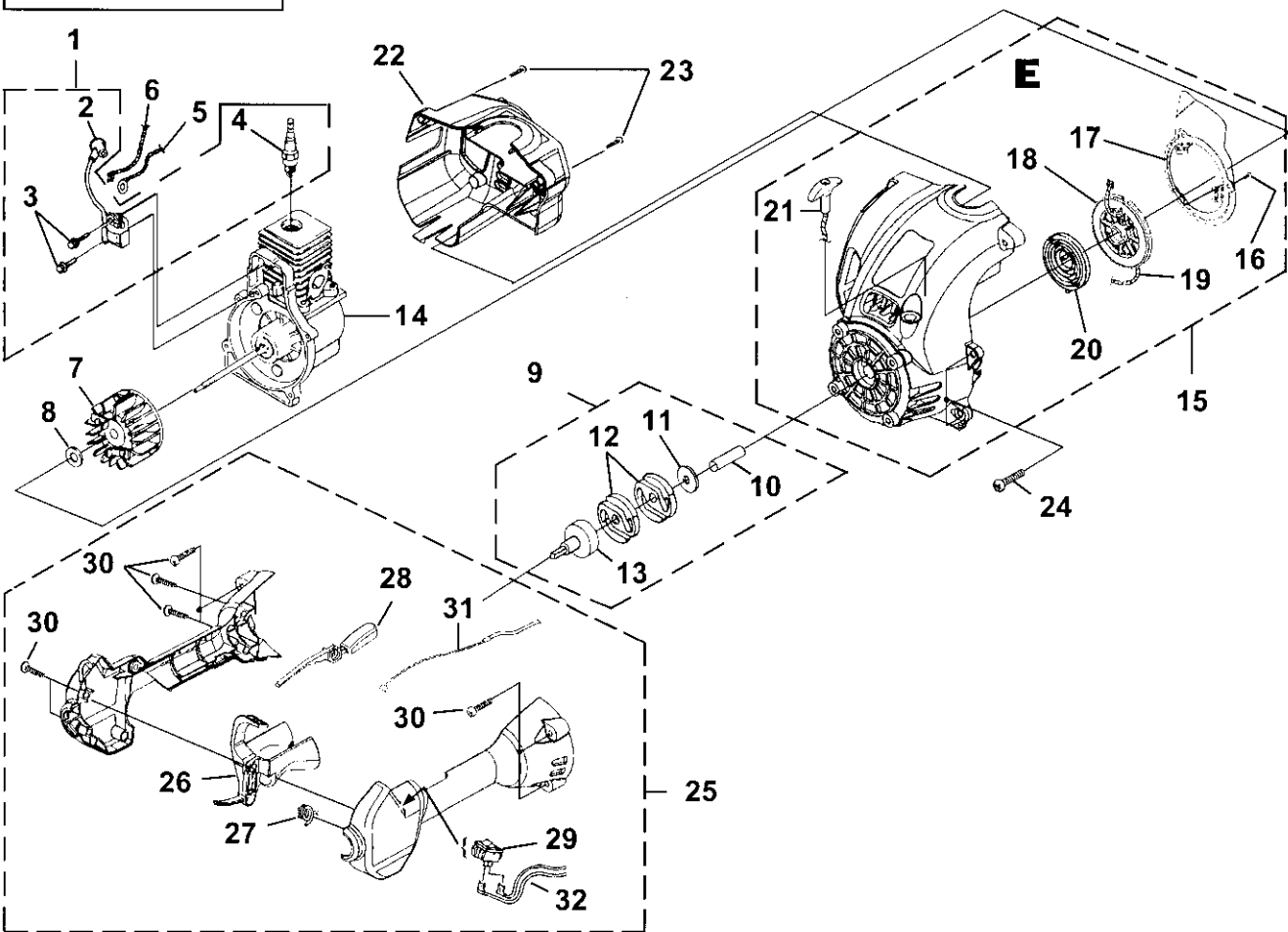
**F2040**

**UT20791**

**ST725**

**UT15178**

# IGNITION - ROTOR - STARTER - CLUTCH



No.	Part No.	Description	Qty.
1	•UP 05270	IGNITION KIT	1
2	UP 03868	TERMINAL & COVER	1
3	UP 03896	SCREW-Taptite (8-32 X 1")	2
4	UP 03883	SPARK PLUG	1
5	A 06964	LEAD-Electrical	1
6	A 06963	LEAD-Electrical	1
7	UP 03009	ROTOR KIT	1
8	PS 84065	WASHER-Flat	1
9	•UP 00034	CLUTCH AND DRUM KIT	1
10	UP 04118	SPACER	1
11	98929 A	WASHER-Flat	1
12	UP 04103	CLUTCH	2
13	A 02727	CONNECTOR AND DRUM	1
14	UP 02995	SHORT BLOCK (See Engine Internal)	1
15	•UP 02962	COMPLETE STARTER ASSEMBLY	1
16	82543	SCREW-Thread Form (8-16 X 1/2")	3
17	UP 03013	BAFFLE-Air	1
18	UP 03012	PULLEY-Starter	1
19	UP 03912	ROPE-Starter (42")	1
20	UP 03917	SPRING & CONTAINER	1
21	UP 03026	GRIP-Starter (Yellow)	1
22	•UP 02965	HOUSING-Rear Kit	1
23	UP 03895	SCREW-Plastite (10-14 X 7/8")	2
24	UP 03406	SCREW-Taptite (10-24 X 3/4")	4

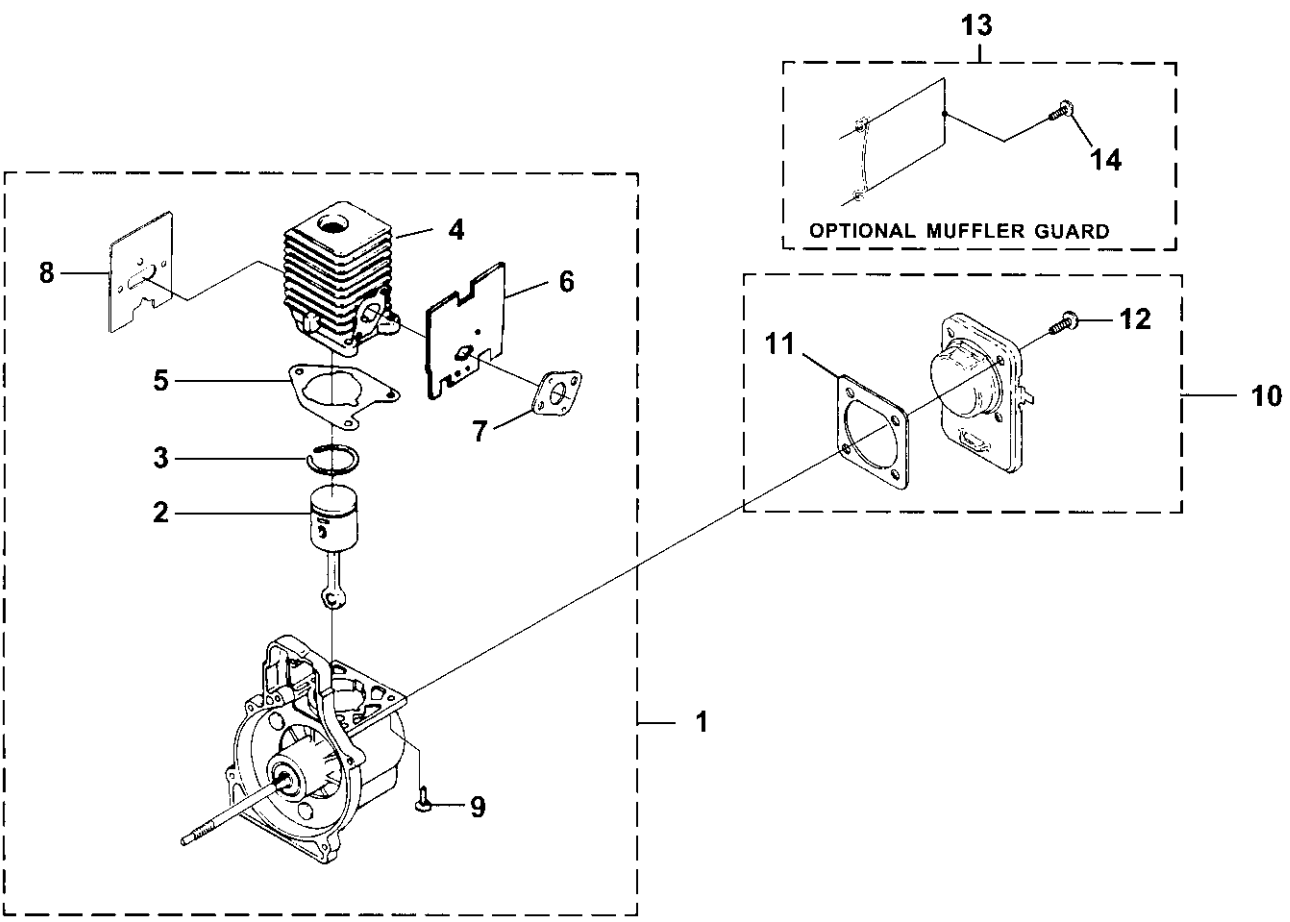
No.	Part No.	Description	Qty.
25	•UP 03114	CONTROL HANDLE ASSY.	1
26	•UP 03207	TRIGGER-Throttle	1
27	UP 03210	SPRING	1
28	UP 03173	THROTTLE INTERLOCK	1
29	UP 04197	SWITCH	1
30	UP 04247	SCREW-Taptite (10-14 X 1")	9
31	UP 03172	CABLE-Throttle	1
32	UP 03174	LEAD-Electrical	1

Torque Specs			
Item No.	In/Lbs	Nm	Required Loctite
3	30-40	3.4-4.5	Blue 242
4	120-180	13.6-20.3	
16	10-20	1.1-2.3	
23	30-50	3.4-5.6	
24	30-40	3.4-4.5	
30	30-50	3.4-5.6	

Warranty Flat Rate		
Job	Description	Time/Hr.
FA11	Ignition Mod.	.3
FA12	Ground Lead	.3
FG10	Starter	.4
FD12	Engine Housing, Rear	.4
FF13	Trigger, Throttle cable	.3

F2040 ..... (UT20791)  
 ST725 ..... (UT15178)

# ENGINE INTERNAL



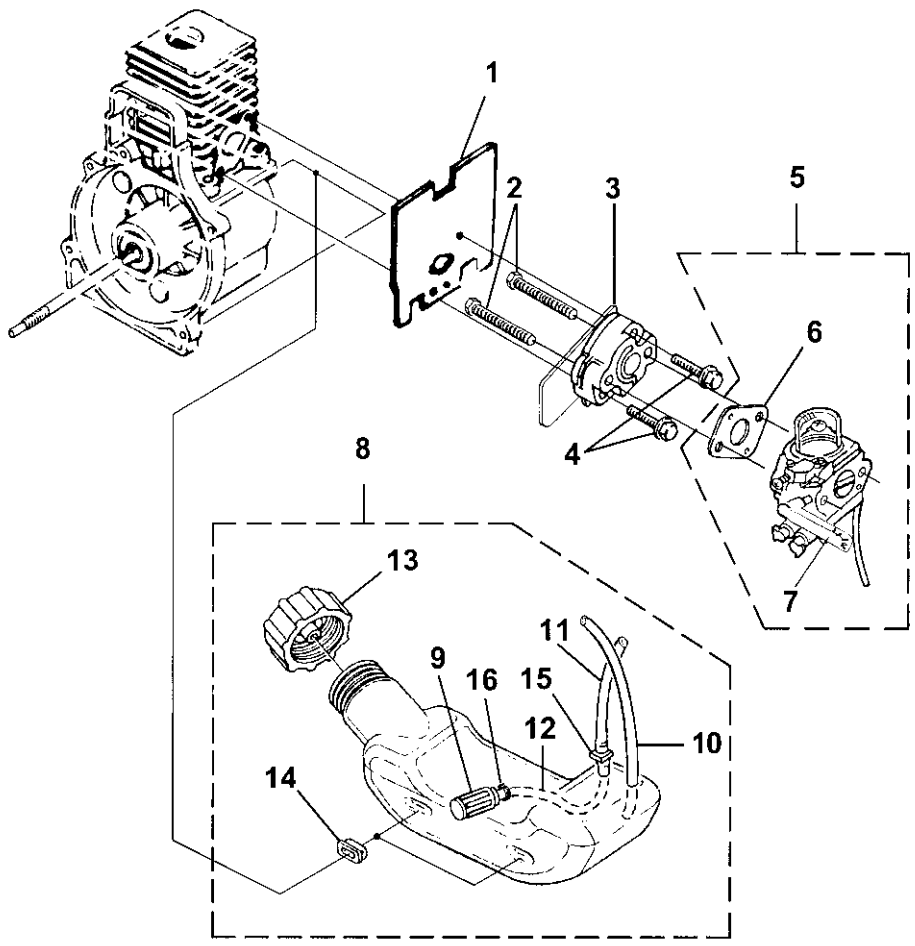
No.	Part No.	Description	Qty.
1	• UP 02995	SHORT BLOCK	1
2	• UP 00768	PISTON & ROD ASSY.	1
3	UP 03838	RING-Piston	1
4	• UP 04136	CYLINDER ASSY.	1
5	UP 03857	GASKET-Cylinder	1
6	UP 04308	GASKET-Heat Dam	1
7	UP 03916	GASKET-Carburetor	1
8	09343	GASKET-Muffler	1
9	UP 04345	SCREW-Sems (12-24 X 3/4")	3
10	• UP 00019	CRANKCASE COVER ASSEMBLY	1
11	UP 04335	GASKET-Crankcase Cover (Also included w/short block)	1
12	UP 04295	SCREW-Sems (10-24 X 1/2")	4
13	• UP 00027	MUFFLER GUARD	3
14	UP 03897	SCREW-Plastite (10-14 X 1/2")	2

Torque Specs			
Item No.	In/Lbs	Nm	Required Loctite
9	55-65	6.2-7.3	Red 262
12	35-45	4.0-5.1	Red 262
14	5-20	.6-2.3	

Warranty Flat Rate		
Job	Description	Time/Hr.
FB10	Partial Rebuild	1.0
FB20	Short Block	1.0
FD25	Crankcase Cover	.3

F2040 ..... (UT20791)  
 ST725 ..... (UT15178)

# CARBURETOR - FUEL TANK



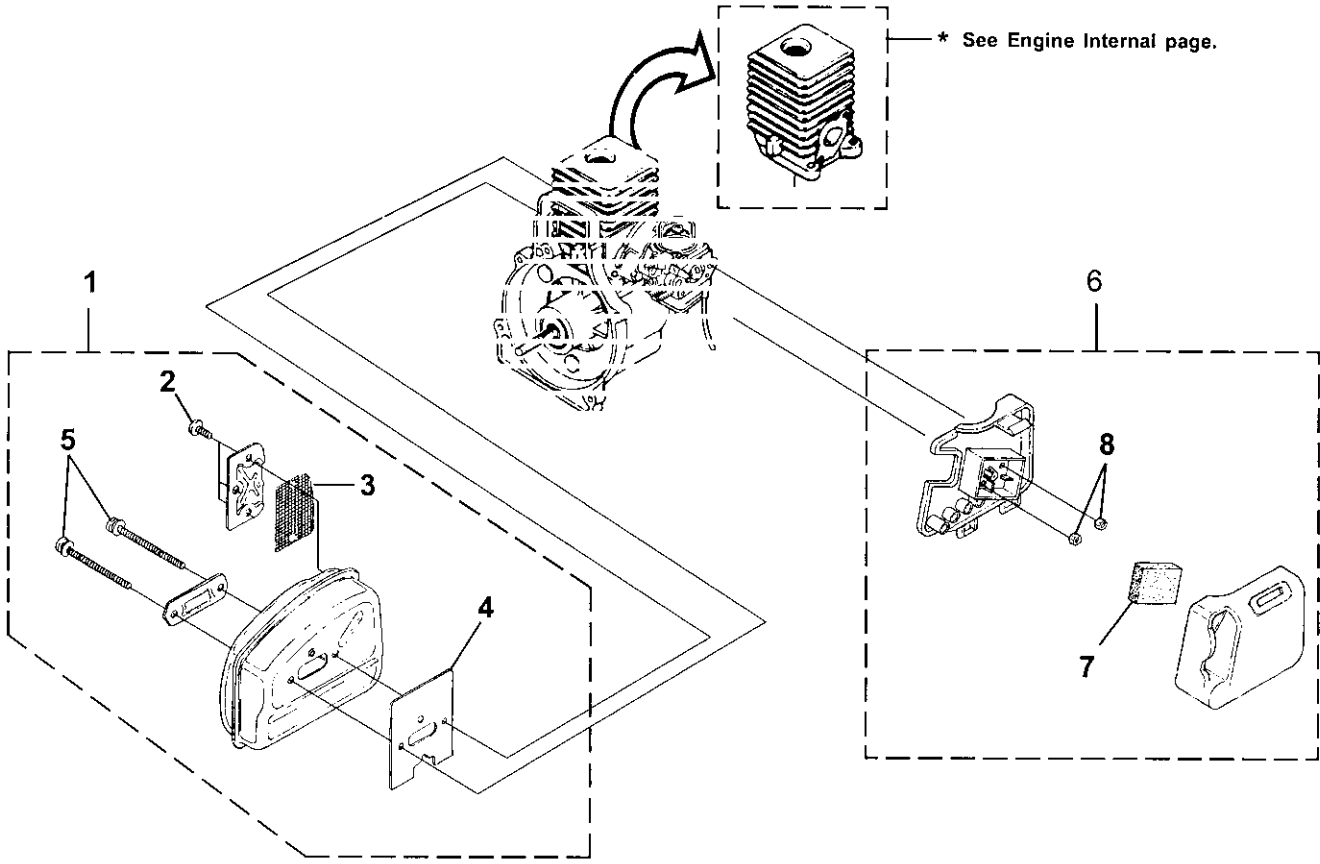
No.	Part No.	Description	Qty.
1	UP 04308	GASKET-Heat Dam	1
2	UP 04131	SCREW-Machine (10-24 X 2 1/4")	2
3	UP 04348	HEAT DAM	1
4	UP 04140	SCREW-Sems (10-24 X 1")	2
5	• UP 05110	CARBURETOR KIT	1
6	98766 A	GASKET-Carburetor	1
7	UP 05810	LEVER-Choke-Auto Zip	1
8	• UP 05397	FUEL TANK ASSY.	1
9	UP 03871	FILTER-Fuel	1
10	UP 04293	TUBING-Rubber	1
11	UP 04292	TUBING-Rubber	1
12	UP 04715	TUBING-Rubber	1
13	UP 04708	FUEL CAP w/Retainer	1
14	UP 03501	BUMPER-Rubber	3
15	UP 04310	FITTING-Inline	1
16	UP 03913	CLAMP	1

Torque Specs			
Item No.	In/Lbs	Nm	Required Loctite
4	35-45	4.0-5.1	Red 262

Warranty Flat Rate			
Job	Description	Warranty	Time/Hr.
FF17	Manifold	.....	.3
FF10	Carburetor Rep.	.....	.3
FF16	Fuel Tank	.....	.3
FF12	Fuel/Return Line	.....	.3

F2040 ..... (UT20791)  
 ST725 ..... (UT15178)

# MUFFLER - AIR CLEANER

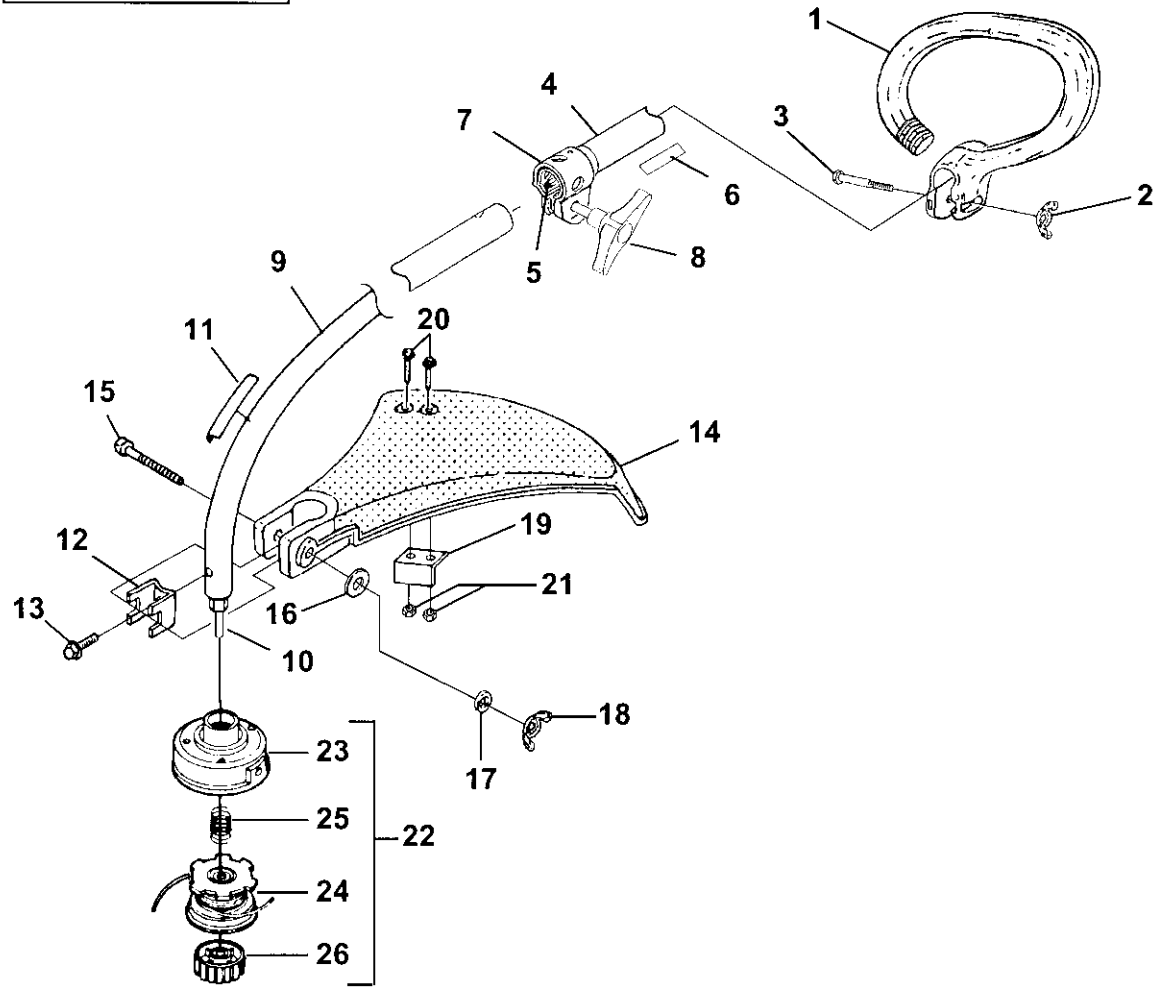


No.	Part No.	Description	Qty.
1	UP 04634	MUFFLER ASSY.	1
2	UP 04248	SCREW, Taptite- (8-32 X 3/8")	3
3	UP 04629	SCREEN-Spark	1
4	UP 04710	GASKET-Muffler	1
5	88083	SCREW, Truss Hd. - (10-24 X 2.188)	2
6	UP 05084	AIR FILTER KIT	1
7	D 98760 B	FILTER-AIR	1
8	UP 03885	NUT-Hex (10-24)	2

Item No.	Torque Specs		Required Loctite
	In/Lbs	Nm	
2	25-35	2.8-4.0	
5	50-60	5.6-6.8	
8	30-40	3.4-4.5	

Warranty Flat Rate		
Job	Description	Time/Hr.
FB18	Muffler-Replace	.3
FF42	Air Filter Assy.	.2

# SHAFT - SPOOL & STRING - GRASS DEFLECTOR



No.	Part No.	Description	Qty.
1	• A 07136	HANDLE-Anti-Vibe	1
2	93992	NUT-Wing, Washer Faced (1/4-20)	1
3	80295	SCREW-Cap Hex Hd. (1/4-20 x 2")	1
4	• UP 05136	DRIVESHAFT ASSY. (Upper)	1
5	A 07667	FLEXSHAFT w/Collar & Liner	1
6	02985	DECAL-Warning	1
7	• UP 03839	COUPLER ASSEMBLY	1
8	UP 05137	KNOB	1
9	• UP 03851	DRIVESHAFT HOUSING (Lower)	1
10	A 07673	SHAFT-Flex	1
11	PS 00038	DECAL-Warning	1
12	07928	CLAMP	1
13	88077	SCREW-Sems Hex (10-24 X 3/8")	1
14	• A 04705	DEFLECTOR & BLADE KIT (55 Deg.)	1
15	80295	SCREW-Cap Hex Hd. (1/4-20 X 2")	1
16	UP 03415	WASHER-Flat (1/4")	1
17	UP 03409	WASHER-Lock (1/4")	1
18	93992	NUT-Wing, Washer Faced (1/4-20)	1
19	• UP 04119	BLADE-Cut-Off	1
20	82531	SCREW-Mech. Hex Hd. (10-24 X 7/8")	2
21	UP 03885	NUT-Hex (10-24)	2

No.	Part No.	Description	Qty.
22	• DA 04591 A	STRINGHEAD-Complete (.095")	1
23	A 98231 A	HOUSING & EYELET (Dual Line)	1
24	• UP 00147	SPOOL & STRING (.095")	1
25	06713	SPRING-Compression	1
26	DA 98866 A	RETAINER-Spool (R.H. Thread, Black)	1

Torque Specs			
Item No.	In/Lbs	Nm	Required Loctite
2	5-25	.6-2.8	
13	15-25	1.7-2.8	
18	5-25	.6-2.8	
21	30-40	3.4-4.5	

Warranty Flat Rate		
Job	Description	Time/Hr.
FM10	.. Stringhead Assy.	.2
FN12	... Driveshaft (Upper)	.3
FN13	... Driveshaft Housing	.3
FN16	... Deflector	.2
CD98	.. Coupler-Shaft	.3