

SABRE[®]

PARTS LIST

B30

(UT15126-A)

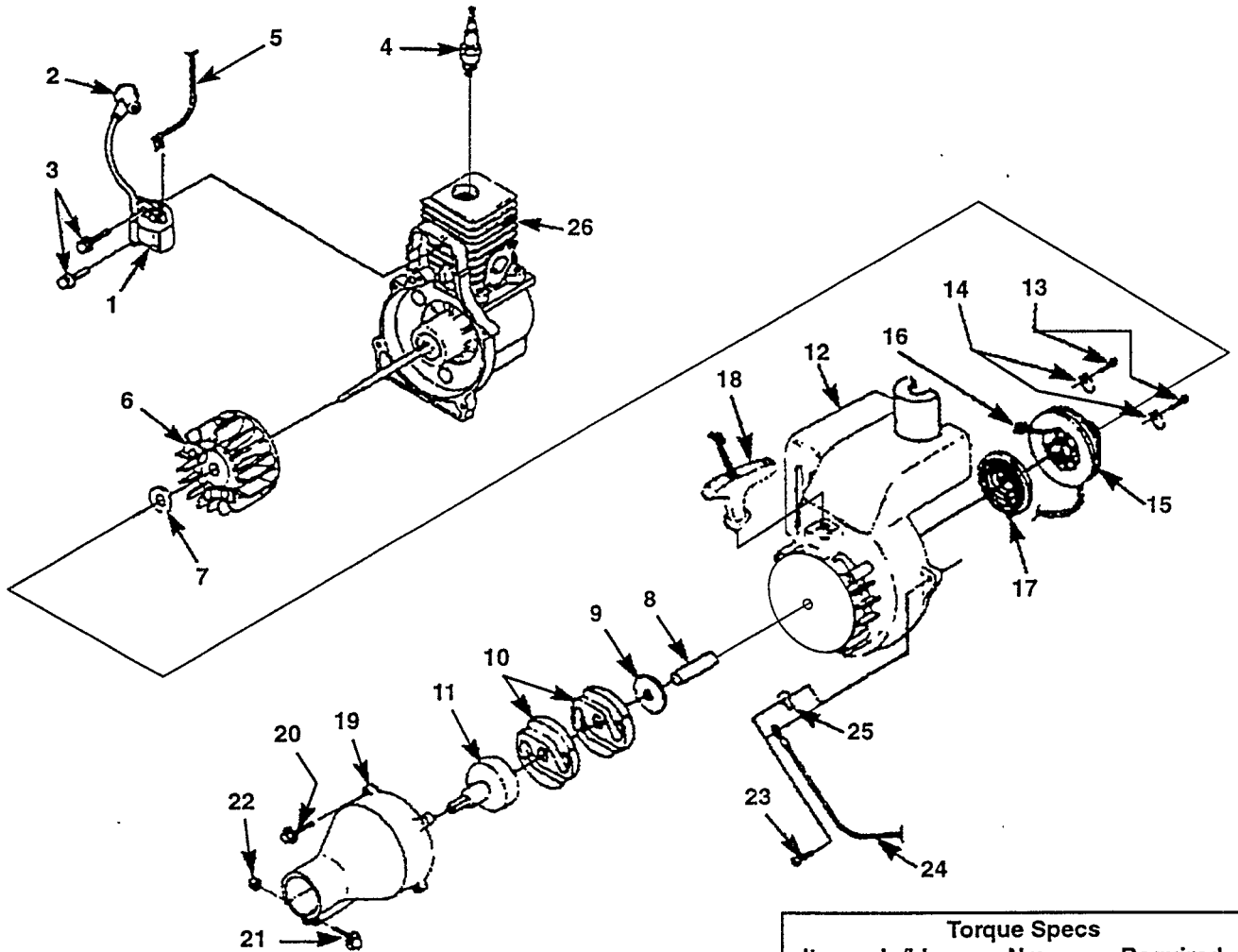
B30B

(UT15120-A)

CE

PART NO. 16142
Printed in U.S.A.

IGNITION - ROTOR - STARTER - CLUTCH



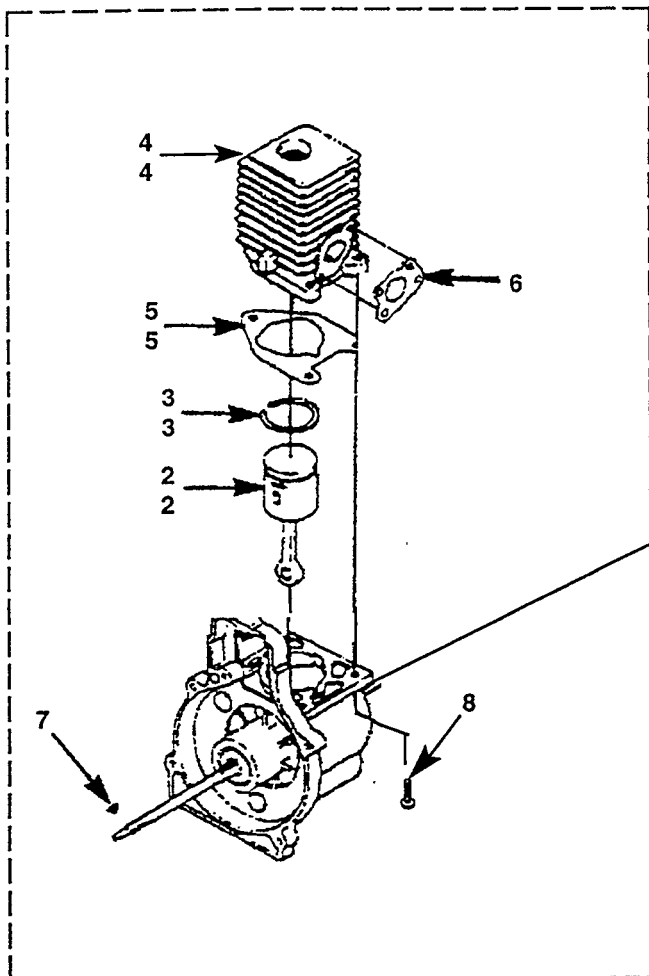
● ASSEMBLIES

Item No	Torque Specs		Required Loctite
	In/Lbs	Nm	
3	30-40	3.4-4.5	
4	120-180	13.6-20.3	
13	30-40	3.4-4.5	
20	30-40	3.4-4.5	
22	40-50	4.5-5.6	
23	55-60	6.2-6.8	

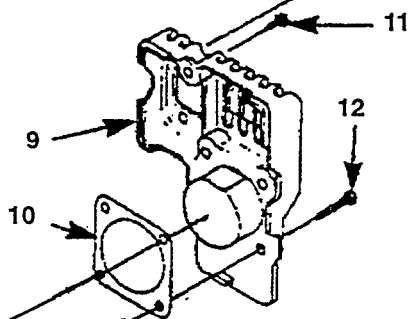
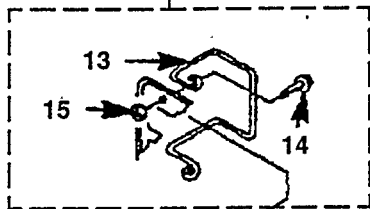
No.	Part No.	Description	Qty
1	94711 CS	MODULE-Ignition	1
2	A 33055	TERMINAL & COVER	1
3	82540	SCREW-Taptite (8-32 X 1")	2
4	79252	SPARK PLUG	1
5	A 00681	LEAD-Electrical	1
6	A 04158 S	ROTOR KIT	1
7	95479 A	WASHER-Flat	1
8	03566 1	SPACER	1
9	98929 A	WASHER-Flat	1
10	00242	CLUTCH	3
11	A 03485 A	CONNECTOR & DRUM	1

No.	Part No.	Description	Qty
12	A 02097 B	ENGINE HOUSING	1
13	82541	SCREW-Plastite (#10-1/2")	2
14	98791	BRACKET-Retaining	2
15	98770 A	PULLEY-Starter	1
16	97899 02	ROPE-Starter (42")	1
17	A 98773 A	SPRING & CONTAINER	1
18	02264	GRIP-Starter	1
19	A 02396 A	TUBE ADAPTER	1
20	88052	SCREW-Hex Hd. (10-24 X 7/8")	4
21	96624	SCREW-Sems Hex Hd. (10-24 X 1 1/8")	1
22	81208	NUT (10-24)	1
23	82538	SCREW-Taptite (10-24 X 3/4")	4
24	A 98919 A	LEAD-Ground	1
25	02851	TERMINAL-Male	1
26		SHORT BLOCK (Ref. Pg. 3, Item 1)	1

ENGINE INTERNAL



OPTIONAL MUFFLER GUARD.

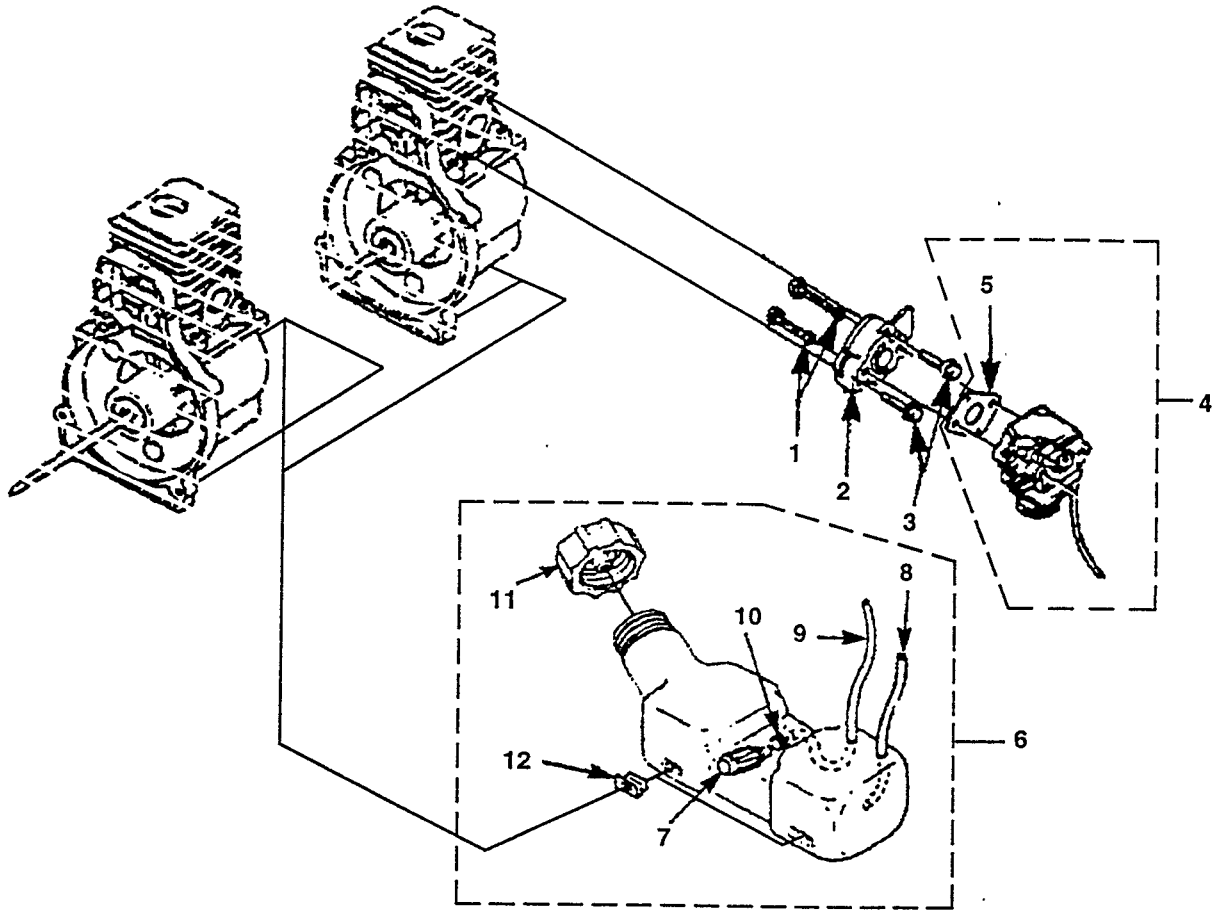


Item No	Torque Specs		Required Loctite
	In/Lbs	Nm	
8	55-65	6.2-7.3	
11	30-40	3.4-4.5	
12	25-30	2.8-3.4	
14	40-50	4.5-5.6	

No.	Part No.	Description	Qty
1	• A 07135	SHORT BLOCK (30CC Clutch)	1
2	• A 03599	30CC PISTON & ROD	1
3	03179	RING-Piston	2
4a	• A 09058	30CC CYLINDER KIT	1
5a	04388 B	GASKET-Cylinder	1
6	08840	GASKET-Heat Dam	1
7	69250	KEY-Woodruff	1
8	82569 1	SCREW-Thread Forming (10-24 X 3/4")	1
9	• A 00858	CRANKCASE COVER	1
10	98767 A	GASKET-Crankcase Cover	1
11	82541	SCREW-Plastite (#10 X 1/2")	2
12	82538	SCREW-Taptite (10-24 X 1/2")	4
13	• A 00254 A	WIRE GUARD KIT	1
14	88049	SCREW-Hex Sems (10-24 X 1/2")	2
15	81208	NUT (10-24)	2

• ASSEMBLIES

CARBURETOR - FUEL TANK

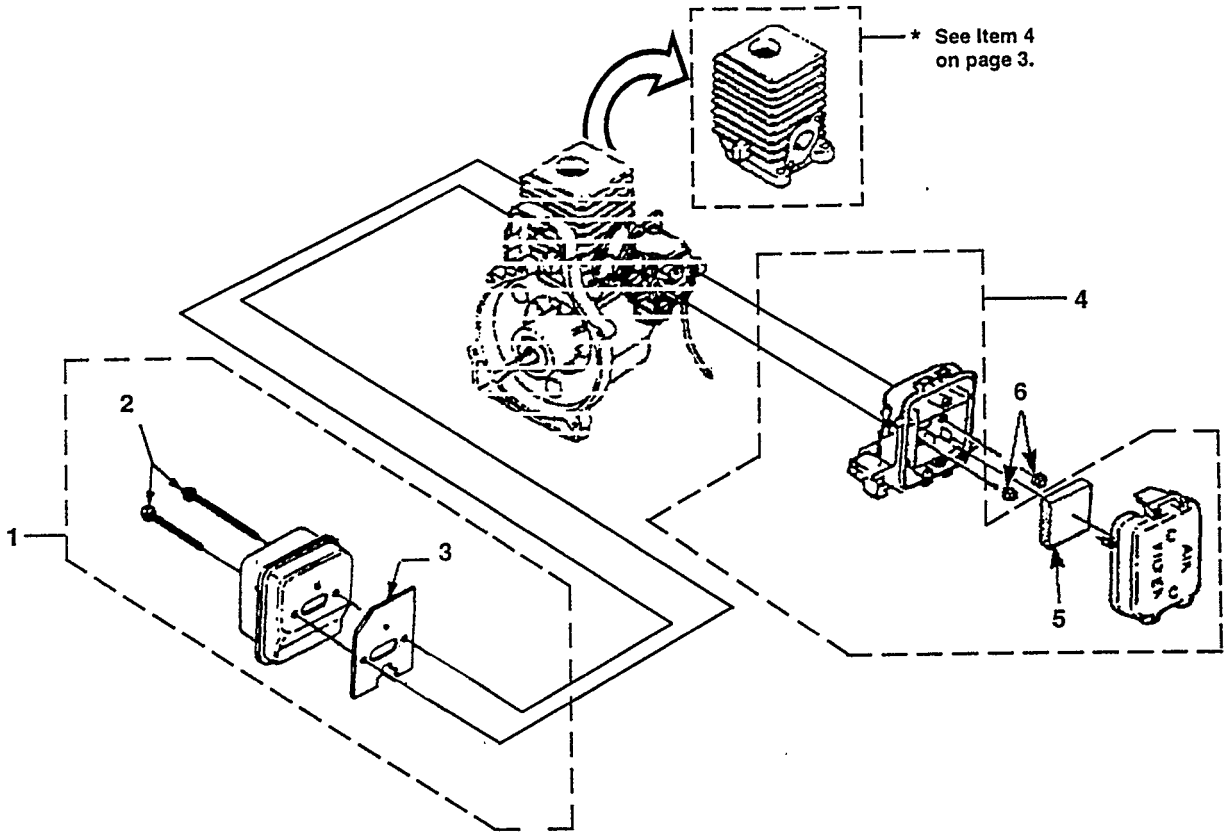


No.	Part No.	Description	Qty
1	04474	SCREW-Machine (10-24 X 2 1/4")	2
2	98768	HEAT DAM	1
3	82549-1	SCREW-Taptite (10-24 X 1")	2
4	• A 04445 A	CARBURETOR KIT	1
5	98766 A	GASKET-Carburetor	1
6	• A 04447 C	FUEL TANK	1
7	49422	FILTER-Fuel	1
8	01439 32	TUBING-Rubber (8")	1
9	94772 32	TUBING-Rubber (8")	1
10	98268	CLAMP-Wire	1
11	A 00982 B	FUEL CAP	1
12	98792	BUMPER-Rubber	3

• ASSEMBLIES

Item No	Torque Specs		Required Loctite
	In/Lbs	Nm	
1	30-40	3.4-4.5	
3	40-50	4.5-5.6	

MUFFLER - AIR CLEANER

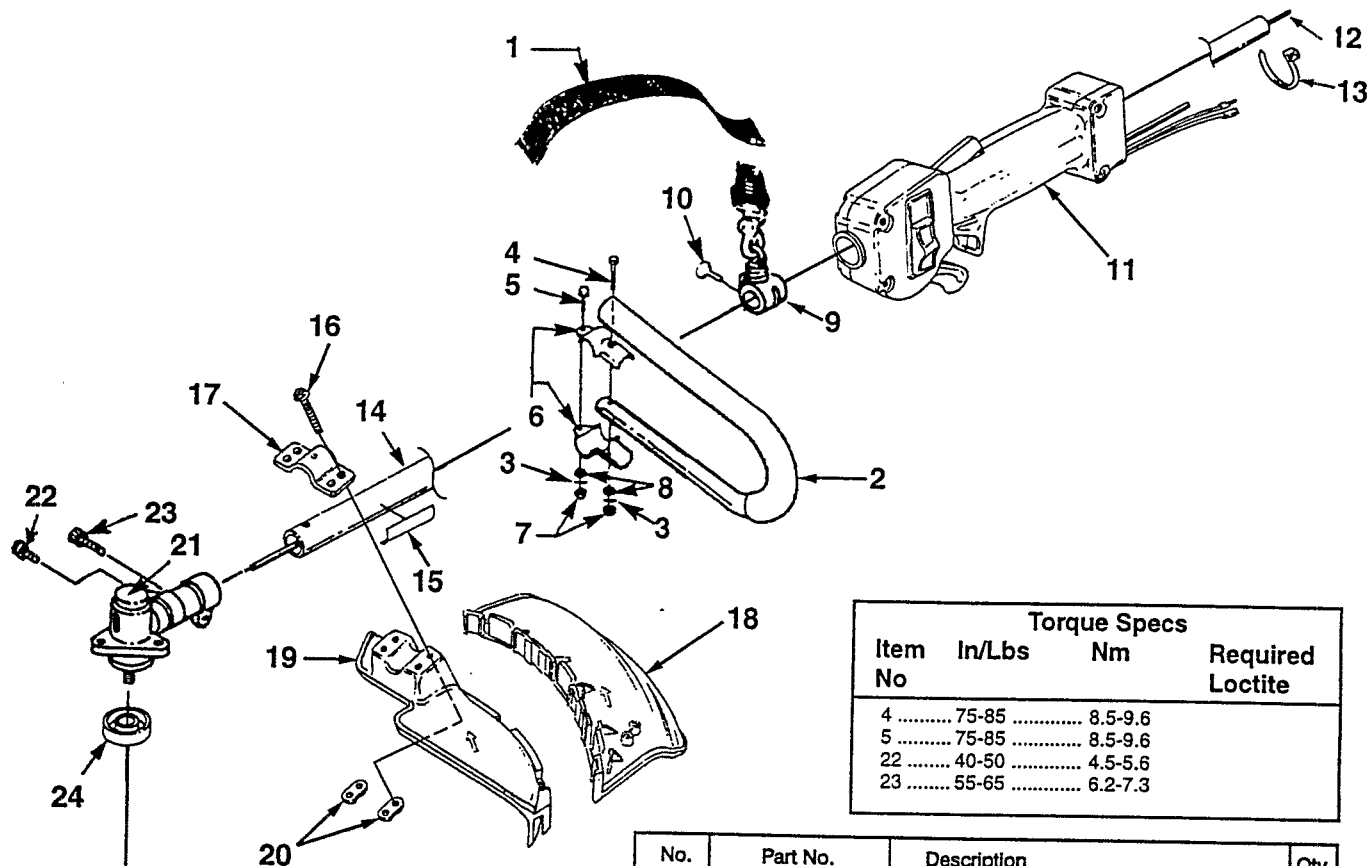


No.	Part No.	Description	Qty
1	A 07315	MUFFLER COMPLETE	1
2	88060	SCREW-Sems Hex (10-24 X 2 1/2")	2
3	98786 C	GASKET-Muffler (Also included with *)	1
4	A 04707 A	AIR FILTER KIT	1
5	D 98760 B	FILTER-AIR	1
6	81208	NUT-Hex (10-24)	2

Item No	Torque Specs		Required Loctite
	In/Lbs	Nm	
2	40-50	4.5-5.6	
6	40-50	4.5-5.6	

• ASSEMBLIES

STRAIGHT SHAFT BOOM - HANDLE - THROTTLE - STRINGHEAD - GRASS DEFLECTOR

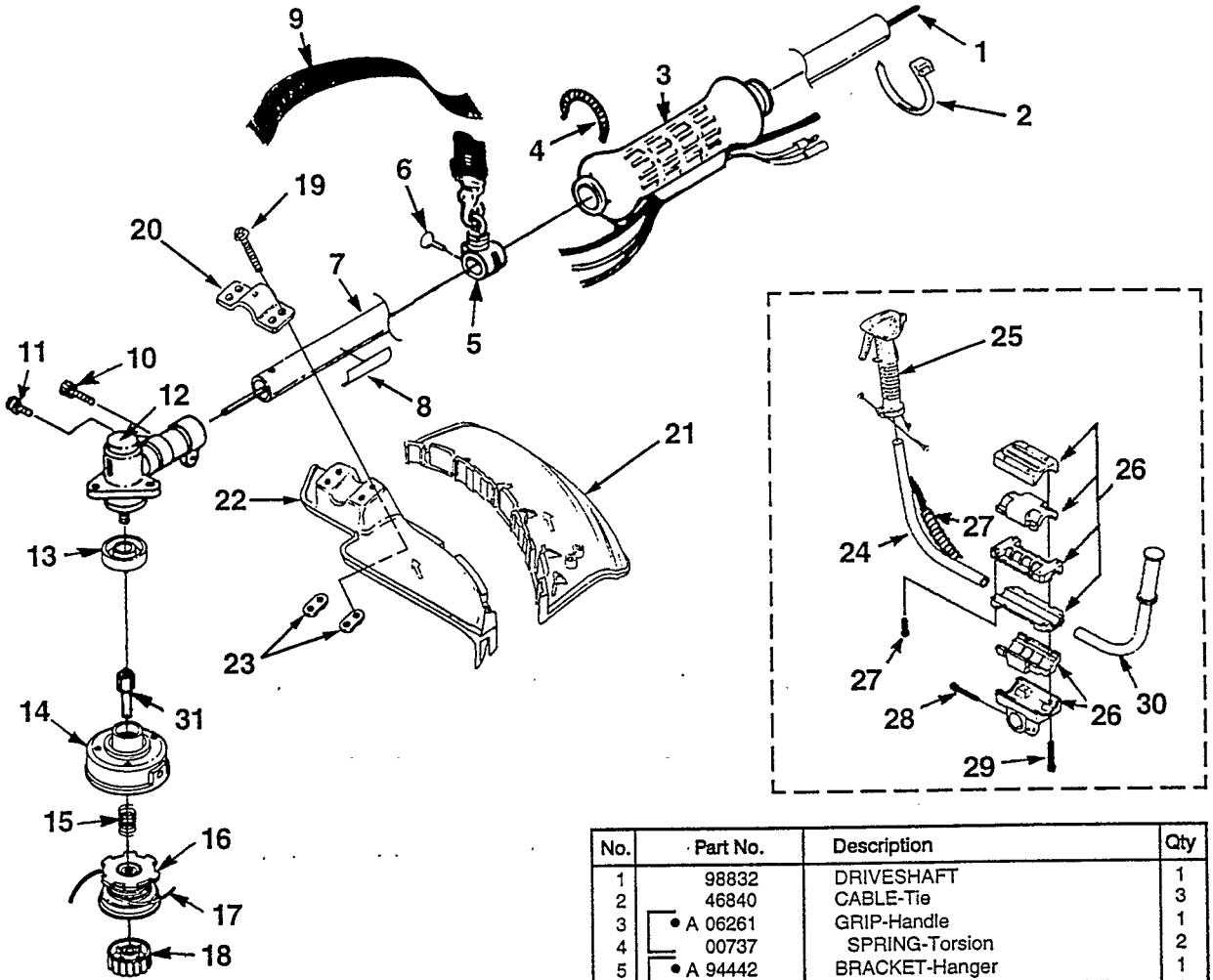


Item No	Torque Specs		Required Loctite
	In/Lbs	Nm	
4	75-85	8.5-9.6	
5	75-85	8.5-9.6	
22	40-50	4.5-5.6	
23	55-65	6.2-7.3	

No.	Part No.	Description	Qty
1	DA92703 C	HARNESS w/Connector	1
2	• A 07159	J-HANDLE BAR KIT	1
3	83009	Washer- Lock	2
4	82278	SCREW-Hex Hd. (1/4-20 X 1/2")	1
5	82496	SCREW-Hex Hd. (1/4-20 X 1")	1
6	00422	CLAMP-Handle Bar	1
7	81242	NUT-Hex (1/4-20)	2
8	84004	WASHER- Flat	2
9	• A 94442	BRACKET-Hanger	1
10	82260	SCREW-Thumb (10-24 X 1/2")	1
11	A 08899	THROTTLE & SWITCH w/Lead	1
12	98832	SHAFT-Drive	1
13	46840	CABLE-Tie	1
14	• A 03800 A	HOUSING-Drive Shaft	1
15	02985	DECAL-Warning	1
16	82555	SCREW-Mach. Truss Hd. (10-24 X .750)	4
17	08619	CLAMP	1
18	A 08152	STRING SHIELD	1
19	08573	BLADE GUARD	1
20	A 08139	MOUNTING PLATE	1
21	A 03888	GEAR HEAD	1
22	88049	SCREW-Sems Hex Hd. (10-24 X 1/2")	1
23	82586	SCREW-Cap Socket Hd. (1/4-20 x 7/8")	1
24	04168 1B	WASHER-Flange	1
25	D 98717 C	BLADE-Tri-Arc	1
26	04409	WASHER-Flange	1
27	04277	NUT-Hex (L.H.)	1
28	98551 41	CONNECTOR-Drive	1
29	A 98231 A	HOUSING & EYELET (Dual Line)	1
30	B 06713	SPRING-Compression	1
31	DA02598 C	SPOOL & STRING (Dual Line)	1
32	D 06514	LINE-Replacement (.095" Dia.)	1
33	A 97910 A	RETAINER-Spool (L.H.) (Red)	1
34	DA03174 A	STRINGHEAD COMPLETE	1

• ASSEMBLIES

STRAIGHT SHAFT BOOM - HANDLE - THROTTLE - STRINGHEAD - GRASS DEFLECTOR



Torque Specs			
Item No	In/Lbs	Nm	Required Loctite
10	55-65	6.2-7.3	
11	40-50	4.5-5.6	

No.	Part No.	Description	Qty
1	98832	DRIVESHAFT	1
2	46840	CABLE-Tie	3
3	A 06261	GRIP-Handle	1
4	00737	SPRING-Torsion	2
5	A 94442	BRACKET-Hanger	1
6	82260	SCREW-Thumb (10-24 X 1/2")	1
7	A 03800 A	HOUSING-Driveshaft	1
8	02985	DECAL-Warning	1
9	DA 92703 C	HARNES w/Connector	1
10	82586	SCREW-Cap Socket Hd. (10-24 X 1")	2
11	88049	SCREW-Sems Hex Hd. (10-24 X 1/2")	1
12	A 03888	GEAR HEAD	1
13	04168 1A	WASHER-Flanged	1
14	A 98231 A	HOUSING & EYELET	1
15	B 06713	SPRING-Compression	1
16	DA 02598 C	SPOOL & STRING	1
17	D 06514	LINE-Replacement (.095 Dia)	1
18	A 97910 A	SPOOL RETAINER	1
19	82555	SCREW-Mach. Tr. Hd. (10-24 X .750)	4
20	08619	CLAMP	1
21	A 08152	STRING SHIELD	1
22	08573	BLADE GUARD	1
23	A 08139	MOUNTING PLATE	2
24	A 08852	HANDLE BAR & CONTROL GRIP	1
25	A 08850	BIKE CONTROL GRIP	1
26	A 07304	BRACKET-Handle Bar	1
27	00605	SCREW-Soc. Hd.	1
28	03942	SCREW-Hex Hd.	4
29	03944	SCREW-Hex Hd.	4
30	A 03268 A	HANDLE BAR & GRIP	1
31	98551 41	CONNECTOR-Drive	1