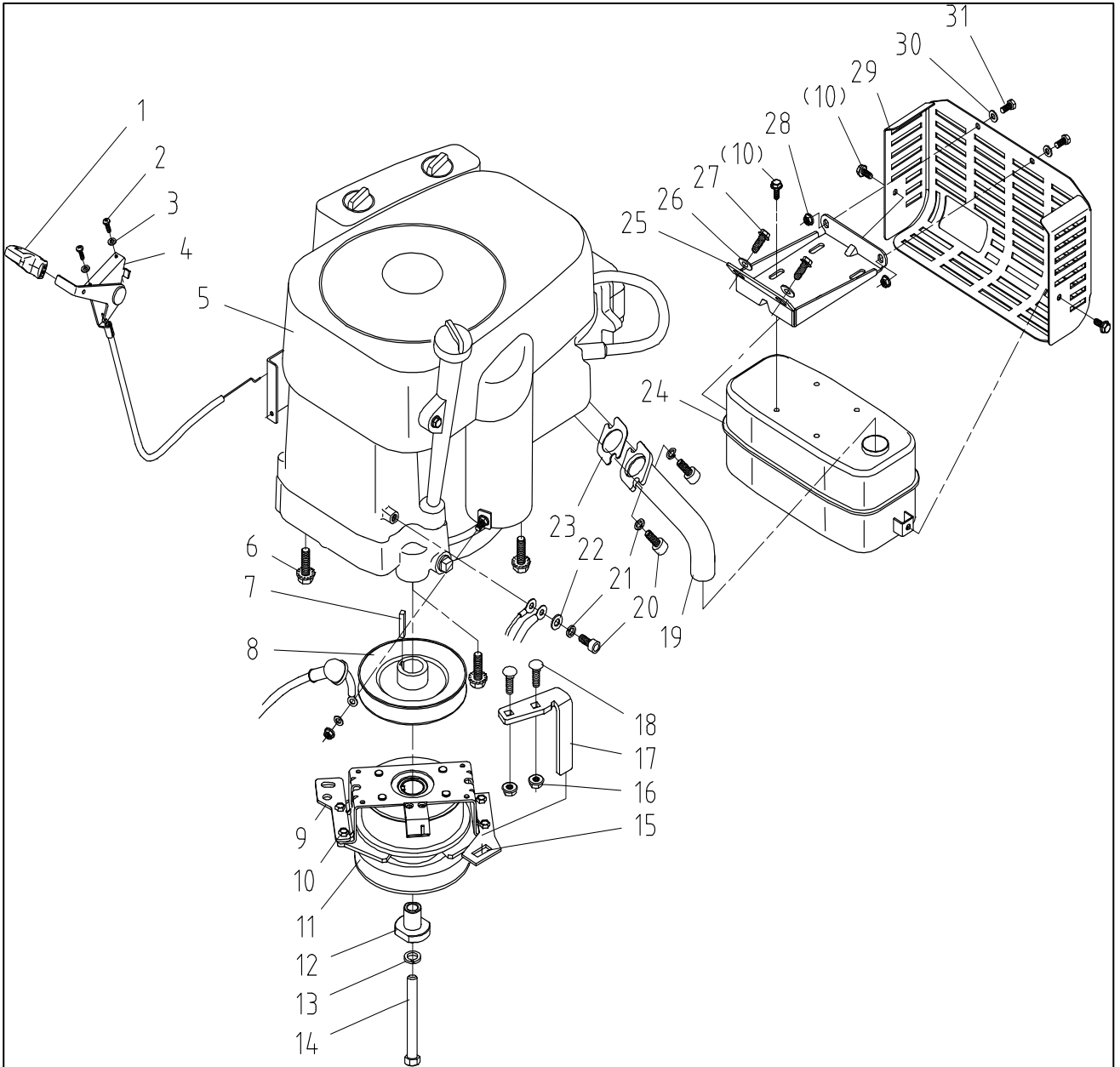


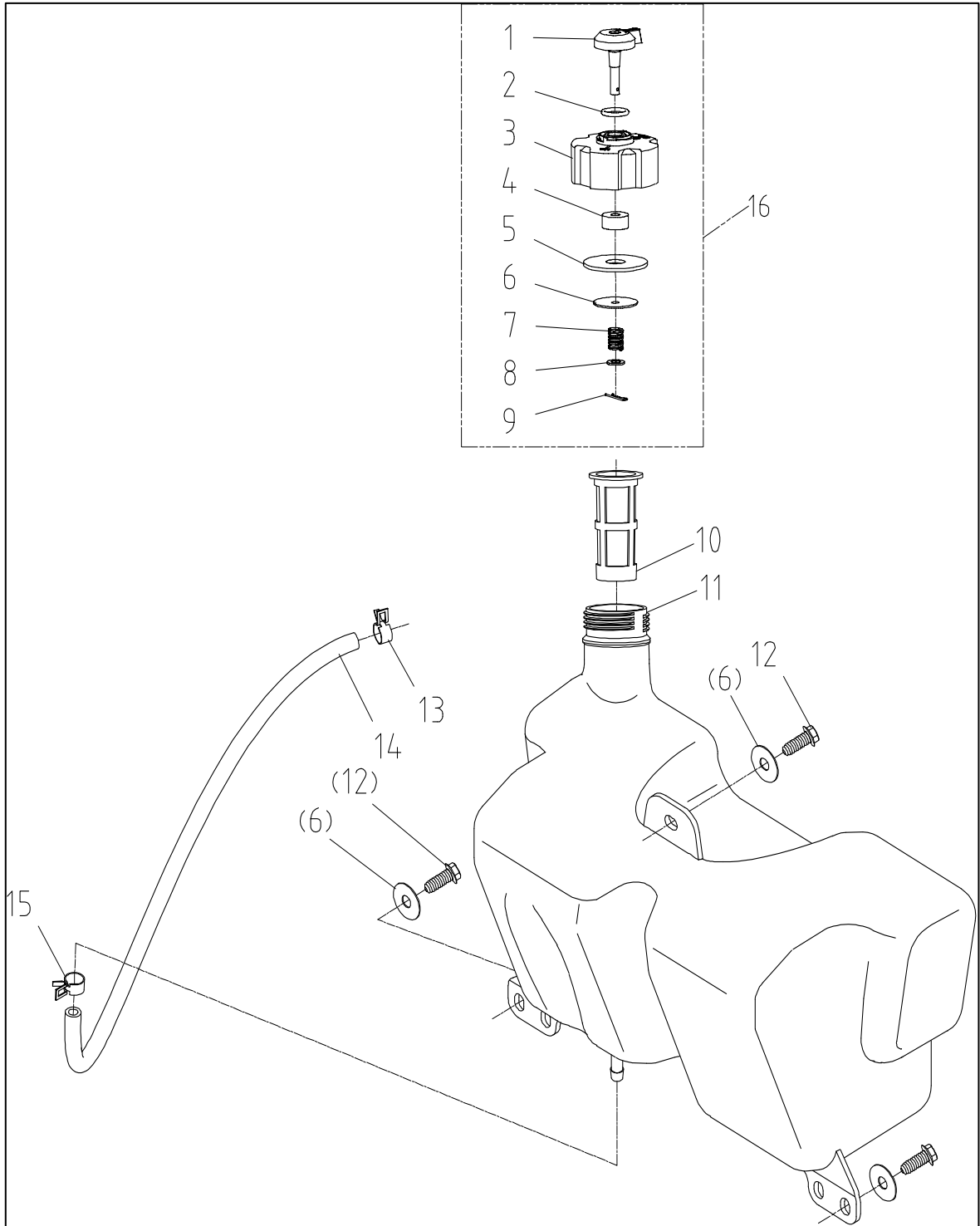
Model: Premium TTS98H

Part Number: 90063136

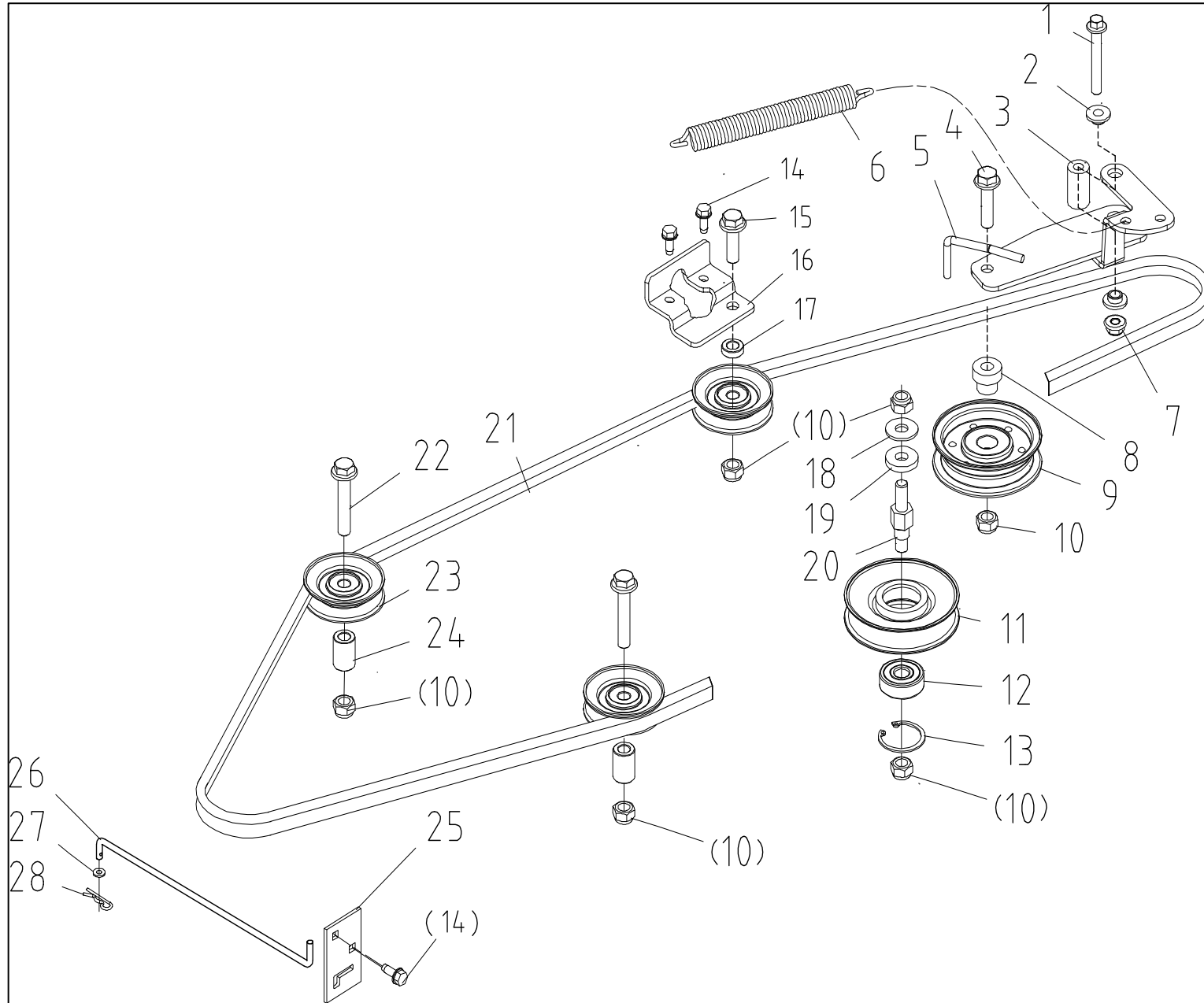
Year: 2024



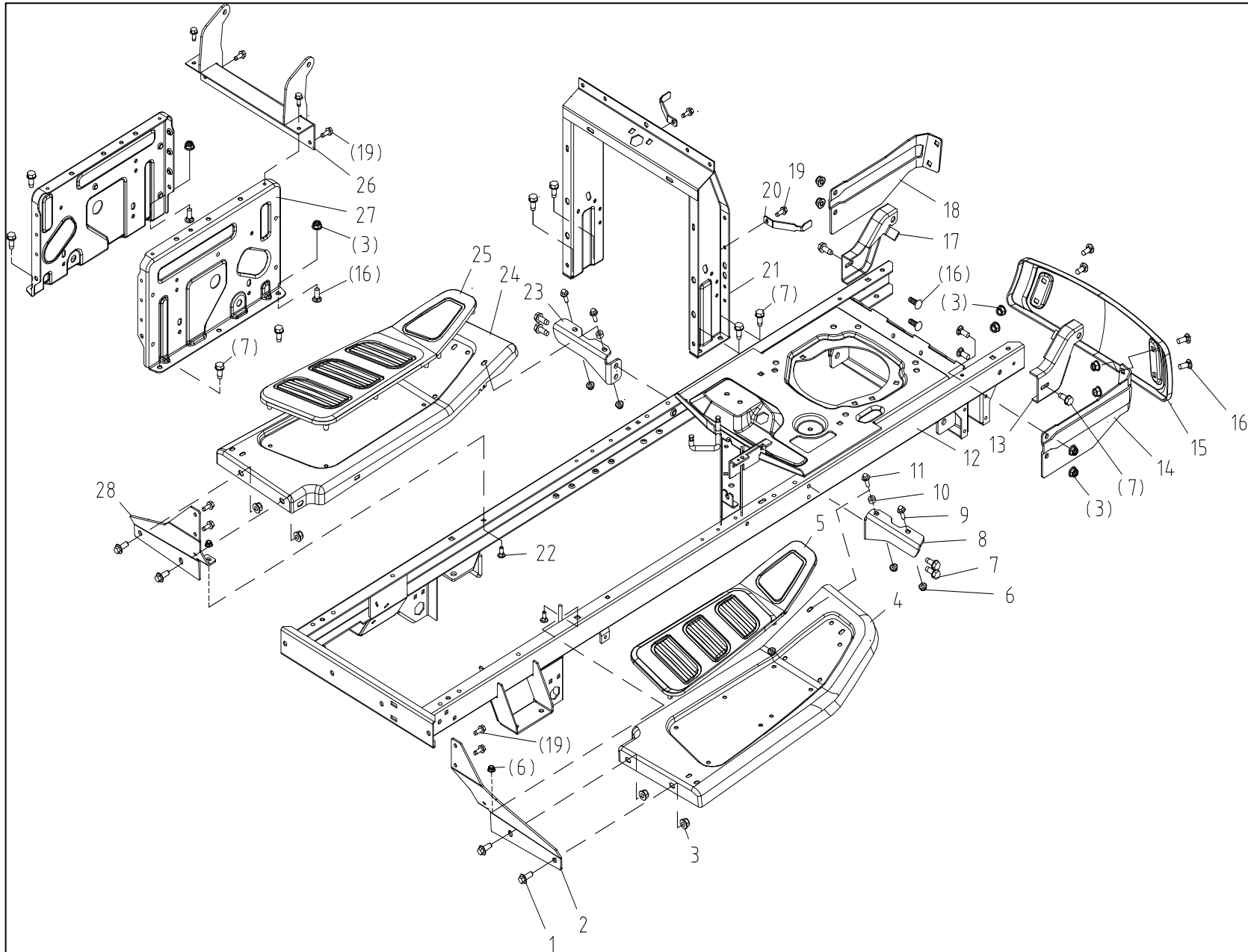
| POS | QTY | PARTNUMBER | BESKRIVELSE              | DESCRIPTION                     |
|-----|-----|------------|--------------------------|---------------------------------|
| 1   | 1   | 451633     | CHOKERHÅNDTAG            | CHOKE KNOB                      |
| 2   | 2   | 449498     | SKRUE M4X16              | SCREW M4×16                     |
| 3   | 2   | 436590     | SKIVE M10                | WASHER                          |
| 4   | 1   | 436571     | GASKABEL MED REGULATOR   | THROTTLE CABLE                  |
| 5   | 1   | LC1P90F-1  | LC1P90F-1/432 CC         | LC1P90F-1/432 CC                |
| 6   | 4   | 449499     | BOLT 3/8"-16-1 1/4"      | "TAPPING SCREW 3/8""-16-1 1/4"" |
| 7   | 1   | 439442     | NOT                      | FLAT KEY 6.35×30                |
| 8   | 1   | 440448     | MOTORREMSKIVE            | ENGINE PULLEY WELDMENT          |
| 9   | 1   | 452518     | HOLDER                   | SUPPORT                         |
| 10  | 10  | 451640     | BOLT M6X16               | TAPPING SCREWM6*16              |
| 11  | 1   | 451634     | ELEKTRISK KOBLING        | ELECTRIC CLUTCH                 |
| 12  | 1   | 451635     | KOBLINGS BØS             | CLUTCH STEP BUSHING             |
| 13  | 1   | 439445     | FJEDERSKIVE 7/16"        | "SPRING WASHER 7/16""           |
| 14  | 1   | 436589     | KNIVBOLT                 | BOLT 3/8-24UNF                  |
| 15  | 1   | 451636     | KOBLINGSBESLAG           | CLUTCH CLAMP PLATE              |
| 16  | 2   | 449501     | LÅSEMØTRIK M8            | FLANGE LOCK NUT M6              |
| 17  | 1   | 452590     | BESLAG                   | CLUTCH BAFFLE (SMALL BIN)       |
| 18  | 2   | 439472     | BOLT M8X20               | BOLT M8×20                      |
| 19  | 1   | 439448     | UDSTØDNINGRØR            | EXHAUST PIPE                    |
| 20  | 3   | 439446     | SKRUE 5/16"-18-3/4"      | " SCREW 5/16""-18 -3/4""        |
| 21  | 3   | 439445     | FJEDERSKIVE 7/16"        | "SPRING WASHER 7/16""           |
| 22  | 1   | 436590     | SKIVE M10                | WASHER                          |
| 23  | 1   | 439447     | PAKNING                  | GASKET                          |
| 24  | 1   | 439471     | UDSTØDNING               | MUFFLE                          |
| 25  | 1   | 451641     | BESLAG                   | BRACKET                         |
| 26  | 2   | 439465     | SKIVE 10                 | BIG WASHER 6                    |
| 27  | 2   | 451616     | FLANGEBOLT M5X16-18TX3/4 | FLANGE BOLT5/16-18TX3/4         |
| 28  | 2   | 452519     | LÅSEMØTRIK M6            | FLANGE LOCK NUT M6              |
| 29  | 1   | 439467     | SKJOLD                   | FRONT SHIELD                    |
| 30  | 2   | 439465     | SKIVE 10                 | BIG WASHER 6                    |
| 31  | 2   | 439462     | BOLT M8X16               | BOLT M8×16                      |



| POS | QTY | PARTNUMBER | BESKRIVELSE          | DESCRIPTION          |
|-----|-----|------------|----------------------|----------------------|
| 1   | 1   | 439449     | VENTIL               | FUEL TANK CAP LEVER  |
| 2   | 1   | 439450     | GUMMIRING            | O RING               |
| 3   | 1   | 439451     | TANKDÆKSEL           | FUEL TANK CAP        |
| 4   | 1   | 439452     | FILTER               | FUEL TANK CAP FILTER |
| 5   | 1   | 439453     | PAKNING              | FUEL TANK CAP SEAL   |
| 6   | 4   | 439454     | TANKPAKNING 6X25X1.5 | GASKET 6×25×1.5      |
| 7   | 1   | 439455     | FJEDER               | FUEL TANK CAP SPRING |
| 8   | 1   | 436590     | SKIVE M10            | WASHER               |
| 9   | 1   | 439456     | SPLIT                | SPLIT PIN            |
| 10  | 1   | 436572     | BENZINFILTER         | FILTER CAP           |
| 11  | 1   | 439457     | BRÆNDSTOFTANK        | FUEL TANK            |
| 12  | 3   | 451640     | BOLT M6X16           | TAPPING SCREWM6*16   |
| 13  | 1   | 439458     | KLEMME               | CLIP 10              |
| 14  | 1   | 439459     | BRÆNDSTOFSLANGE      | FUEL HOSE            |
| 15  | 1   | 449502     | KLEMME               | CLIP ?10             |
| 16  | 1   | 451018     | TANKLÅG KPL.         | FUEL CAP ASSY        |

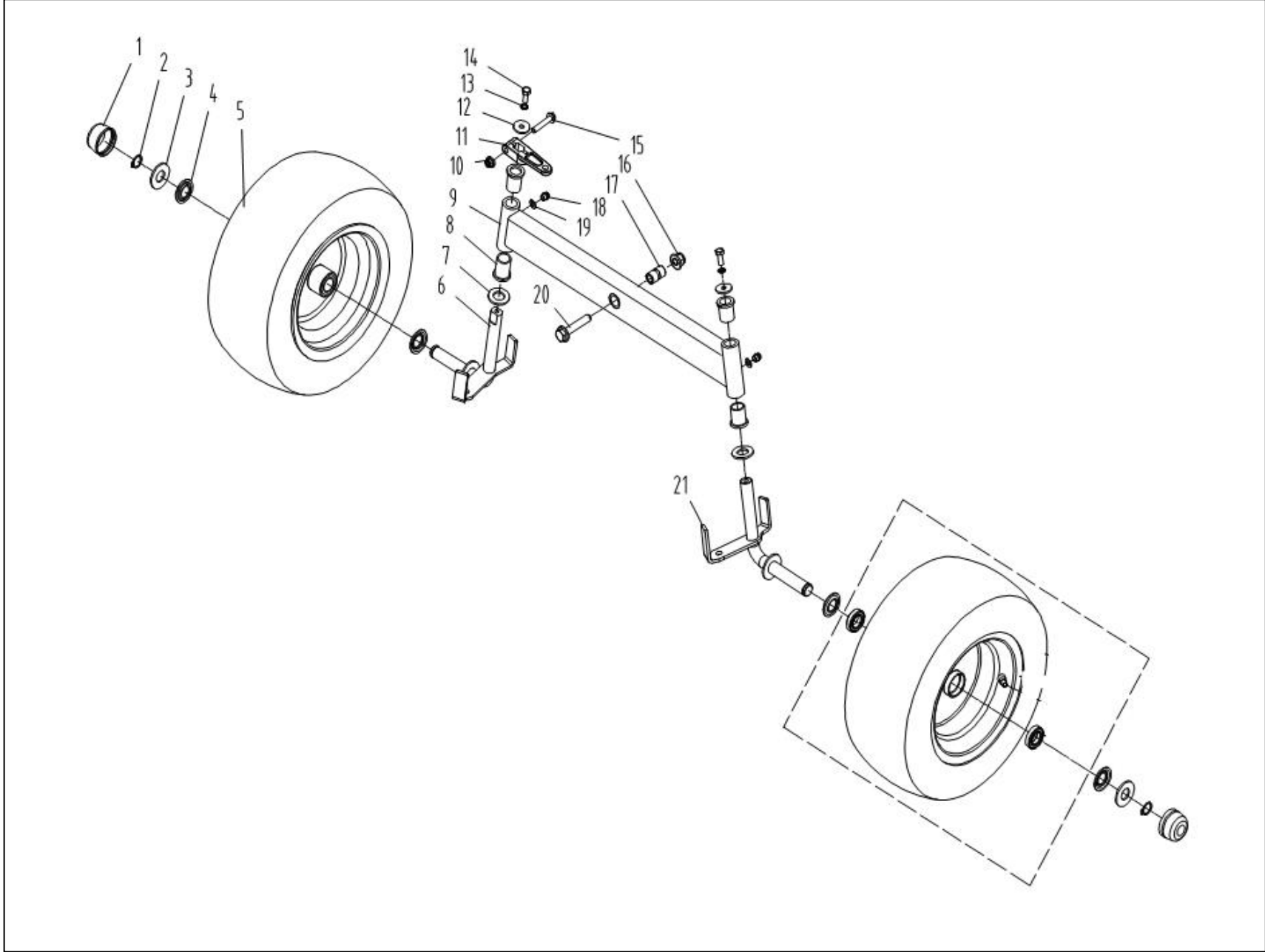


| POS | QTY | PARTNUMBER | BESKRIVELSE         | DESCRIPTION                          |
|-----|-----|------------|---------------------|--------------------------------------|
| 1   | 1   | 449506     | BOLT M10X1.25X40    | " FLANGE BOLT M10×1.25×40            |
| 2   | 2   | 451643     | SKIVE Ø8X18X33      | BUSHING                              |
| 3   | 1   | 451644     | BØS                 | SPACER $\phi$ 8X $\phi$ 18X33        |
| 4   | 1   | 449506     | BOLT M10X1.25X40    | " FLANGE BOLT M10×1.25×40            |
| 5   | 1   | 451645     | DRIVARM             | DRIVING TENTION ARM<br>WELDMENT      |
| 6   | 1   | 436576     | FJEDER              | SPRING                               |
| 7   | 1   | 449503     | MØTRIK M8           | FLANGE NUT M6                        |
| 8   | 1   | 439487     | BØS                 | TENTION PULLEY BUSHING               |
| 9   | 1   | 436575     | REMSKIVE            | TENSION PULLEY                       |
| 10  | 6   | 439481     | LÅSEMØTRIK M10X1.25 | LOCK NUT M10×1.25                    |
| 11  | 1   | 436574     | REMSKIVE            | TENSION PULLEY                       |
| 12  | 1   | 436583     | LEJE 6203-2RZ       | BEARING 61904-2RZ                    |
| 13  | 1   | 439480     | LÅSERING 37         | SNAP RING 37                         |
| 14  | 4   | 451640     | BOLT M6X16          | TAPPING SCREWM6*16                   |
| 15  | 1   | 449506     | BOLT M10X1.25X40    | " FLANGE BOLT M10×1.25×40            |
| 16  | 1   | 452591     | BESLAG              | GUIDE PULLEY BASE PLATE              |
| 17  | 1   | 452592     | SKIVE 10X18X7       | WASHER $\phi$ 10X $\phi$ 18X7        |
| 18  | 1   | 439465     | SKIVE 10            | BIG WASHER 6                         |
| 19  | 1   | 451647     | SKIVE Ø27X10X5,5    | WASHER $\phi$ 27X $\phi$ 10.5X5      |
| 20  | 1   | 451646     | BOLT                | BOLT                                 |
| 21  | 1   | 451648     | DRIVREM             | V BELT LG4-1030                      |
| 22  | 2   | 449506     | BOLT M10X1.25X40    | " FLANGE BOLT M10×1.25×40            |
| 23  | 3   | 440468     | REMHJUL             | IDLER PULLEY                         |
| 24  | 2   | 451649     | BØS                 | GUIDE PULLEY CUSHION<br>SLEEVE       |
| 25  | 1   | 452593     | PLADE               | OIL DRAIN ROD SEAT                   |
| 26  | 1   | 452594     | STANG               | OIL DISCHARGE PUSH ROD ?<br>K46SIDE) |
| 27  | 1   | 436590     | SKIVE M10           | WASHER                               |
| 28  | 1   | 439456     | SPLIT               | SPLIT PIN                            |

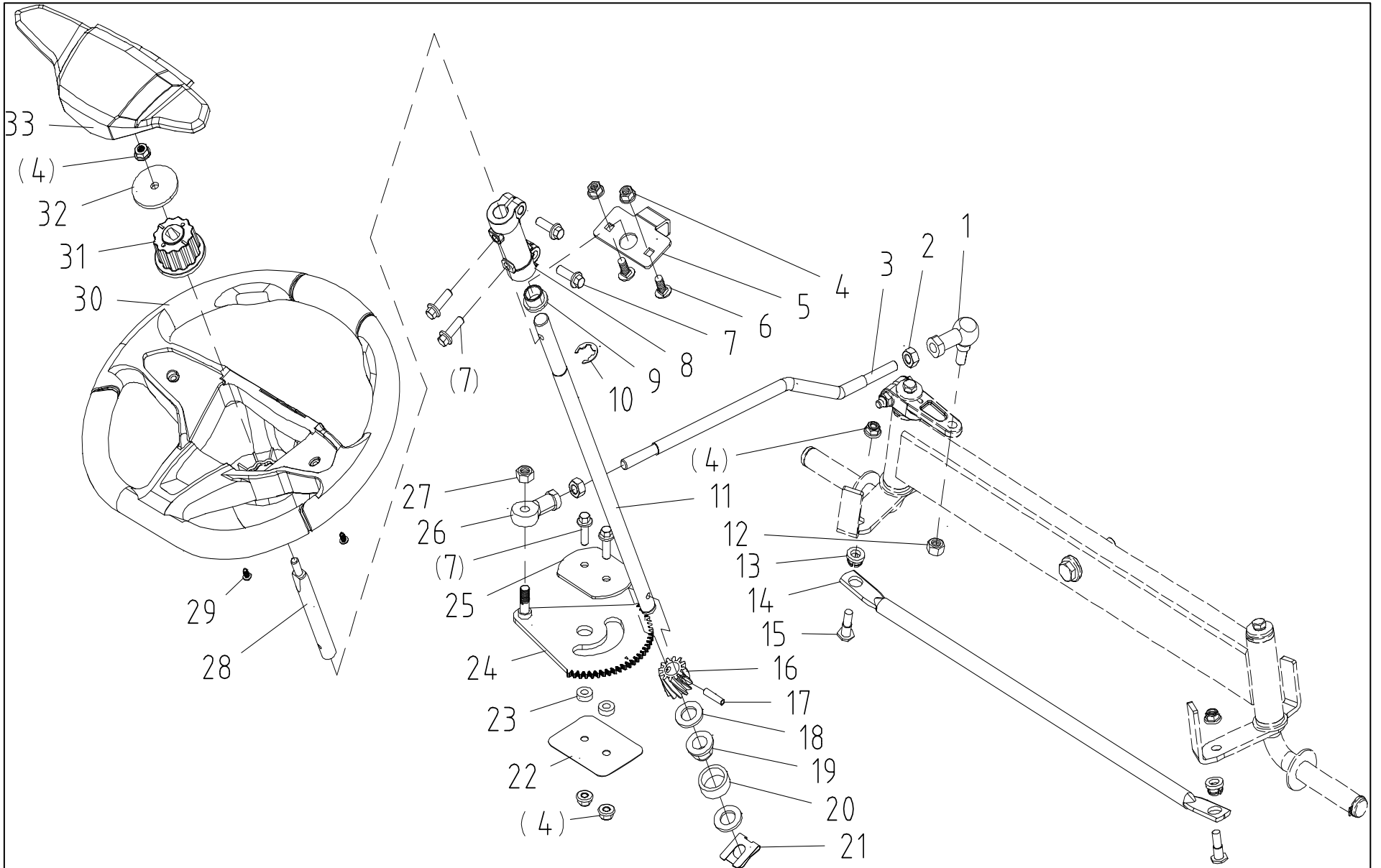


| POS | QTY | PARTNUMBER | BESKRIVELSE                 | DESCRIPTION                |
|-----|-----|------------|-----------------------------|----------------------------|
| 1   | 4   | 449511     | BOLT M6X16                  | FLANGE BOLT M10×1.25×25    |
| 2   | 1   | 451651     | BESLAG                      | RIGHT PEDAL HANGER         |
| 3   | 14  | 449501     | LÅSEMØTRIK M8               | FLANGE LOCK NUT M6         |
| 4   | 1   | 451652     | FODPLADE HØJRE              | RIGHT PEDAL                |
| 5   | 1   | 451653     | GUMMI MÅTTE HØJRE           | RIGHT FOOT PAD             |
| 6   | 6   | 449501     | LÅSEMØTRIK M8               | FLANGE LOCK NUT M6         |
| 7   | 14  | 451616     | FLANGEBOLT M5X16-18TX3/4    | FLANGE BOLT5/16-18TX3/4    |
| 8   | 1   | 451654     | BESLAG FOR PEDAL HØJRE      | PEDAL FRONT SUPPORT RIGHT  |
| 9   | 2   | 439441     | BOLT M8X45                  | FLANGE BOLT M10×1.5×35     |
| 10  | 2   | 439518     | BØS                         | BUSHING                    |
| 11  | 2   | 449511     | BOLT M6X16                  | FLANGE BOLT M10×1.25×25    |
| 12  | 1   | 451655     | RAMME                       | CHASIS                     |
| 13  | 1   | 451656     | BESLAG                      | ENGINE COVER BRACKET RIGHT |
| 14  | 1   | 451657     | BESLAG FOR KOFANGER HØJRE   | RIGHT BAMPER ROD           |
| 15  | 1   | 451658     | KOFANGER                    | BAMPER                     |
| 16  | 10  | 439472     | BOLT M8X20                  | BOLT M8×20                 |
| 17  | 1   | 451659     | BESLAG                      | ENGINE COVER BRACKET LEFT  |
| 18  | 1   | 451660     | BESLAG FOR KOFANGER VENSTRE | LEFT BAMPER ROD            |
| 19  | 10  | 451640     | BOLT M6X16                  | TAPPING SCREWM6*16         |
| 20  | 2   | 451661     | BESLAG                      | STEERING                   |
| 21  | 1   | 451662     | BESLAG                      | STEERING BRACKET           |
| 22  | 2   | 439472     | BOLT M8X20                  | BOLT M8×20                 |
| 23  | 1   | 451663     | BESLAG                      | PEDAL FRONT SUPPORT LEFT   |
| 24  | 1   | 451664     | FODPLADE VENSTRE            | LEFT PEDAL                 |
| 25  | 1   | 451665     | GUMMIMÅTTE VENSTRE          | LEFT FOOT PAD              |
| 26  | 1   | 451666     | BESLAG                      | SEAT FRONT BEAM WELDMENT   |
| 27  | 2   | 451667     | SIDEPLADE                   | SIDE PLATE                 |
| 28  | 1   | 451668     | PEDALOPHÆNG                 | LEFT PEDAL HANGER          |

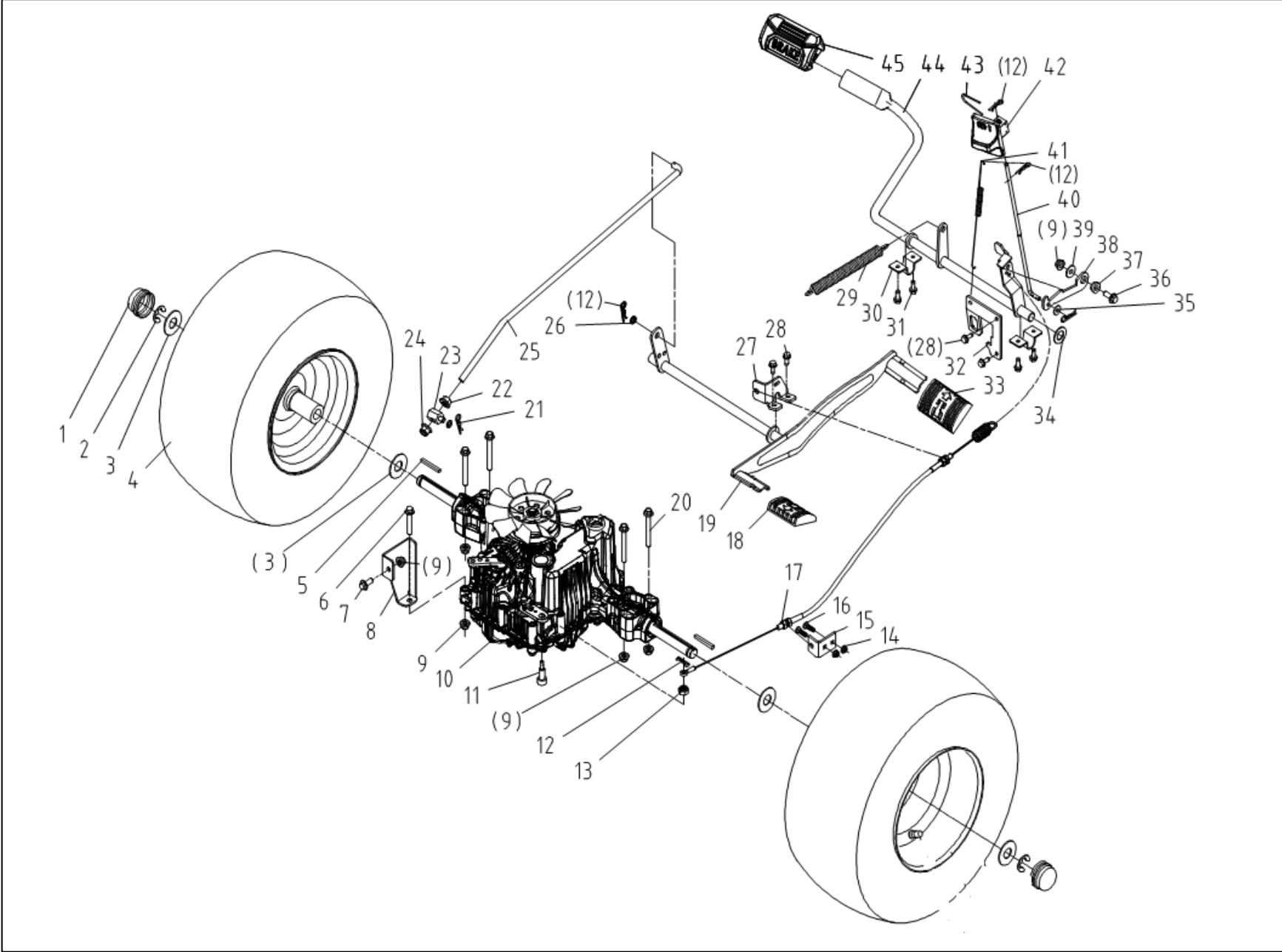




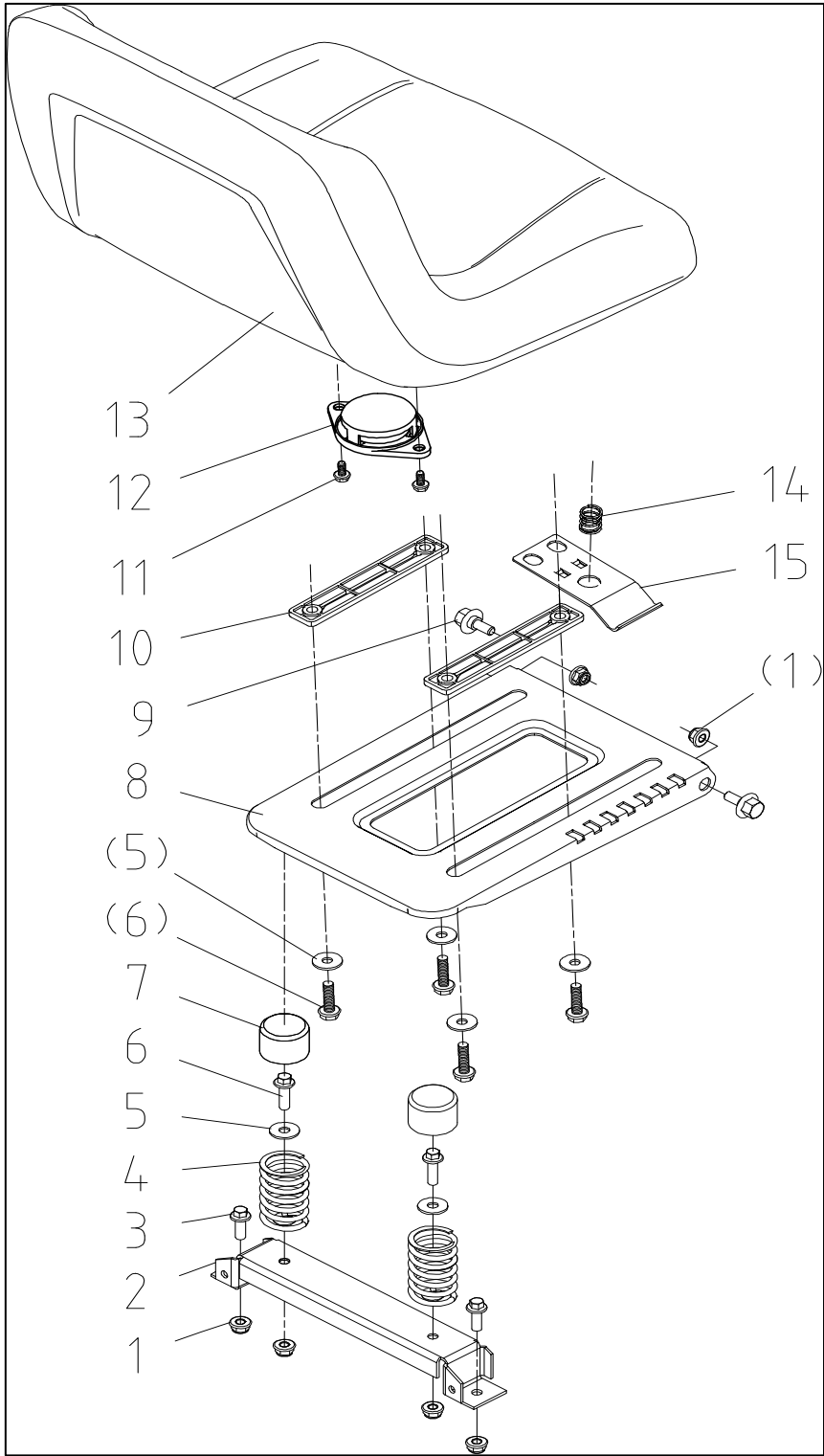
| POS | QTY | PARTNUMBER | BESKRIVELSE        | DESCRIPTION              |
|-----|-----|------------|--------------------|--------------------------|
| 1   | 2   | 439521     | NAVKAPSEL          | HUB COVER                |
| 2   | 2   | 436587     | SEEGERRING Ø24     | SNAP RING 19             |
| 3   | 2   | 439522     | SKIVE 20X43X3      | WASHER 20x43x3           |
| 4   | 4   | 439523     | SKIVE              | WASHER                   |
| 5   | 2   | 452595     | FORHJUL KOMPLET    | FRONT WHEEL ASSEMBLY     |
| 6   | 1   | 451682     | HJULGAFFEL HØJRE   | FRONT AXLE RH            |
| 7   | 2   | 436590     | SKIVE M10          | WASHER                   |
| 8   | 4   | 439525     | BØS                | BUSHING                  |
| 9   | 1   | 451683     | FORBRO             | FRONT AXLE WELDMENT      |
| 10  | 1   | 449501     | LÅSEMØTRIK M8      | FLANGE LOCK NUT M6       |
| 11  | 1   | 449513     | BESLAG             | TURNING ARM              |
| 12  | 2   | 440881     | SKIVE              | WASHER                   |
| 13  | 2   | 439440     | FJEDERSKIVE 10     | SPRING WASHER 10         |
| 14  | 2   | 439462     | BOLT M8X16         | BOLT M8x16               |
| 15  | 1   | 439441     | BOLT M8X45         | FLANGE BOLT M10x1.5x35   |
| 16  | 1   | 439474     | AFSTANDSSTYKKE     | FLANGE LOCK NUT M10x1.25 |
| 17  | 1   | 451684     | FORRØR             | LINER TUBE               |
| 18  | 2   | 439498     | SMØRENIPPEL        | OIL INJECTION NOZZLE     |
| 19  | 2   | 436590     | SKIVE M10          | WASHER                   |
| 20  | 1   | 440954     | BOLT M6X20         | HEXGON BOLT M6X20        |
| 21  | 1   | 451685     | HJULGAFFEL VENSTRE | FRONT AXLE LH            |



| POS | QTY | PARTNUMBER | BESKRIVELSE                                       | DESCRIPTION                     |
|-----|-----|------------|---|---------------------------------|
| 1   | 1   | 451686     | KARDANLED   | JOINT BEARING M10               |
| 2   | 2   | 449512     | MØTRIK M8   | NUT M8                          |
| 3   | 1   | 451687     | FORBINDELSSESSTANG                                | STEERING DRAG ROD               |
| 4   | 7   | 449501     | LÅSEMØTRIK M8                                     | FLANGE LOCK NUT M6              |
| 5   | 1   | 451688     | PLADE MED FIRKANTET HUL                           | SQUARE HOLE CARD BOARD          |
| 6   | 2   | 439472     | BOLT M8X20  | BOLT M8×20                      |
| 7   | 6   | 439441     | BOLT M8X45  | FLANGE BOLT M10×1.5×35          |
| 8   | 1   | 451689     | SAMLE BESLAG                                      | COUPLINGS                       |
| 9   | 1   | 451690     | BØS   | HATCH BUSHING                   |
| 10  | 1   | 436587     | SEEGERRING Ø24                                    | SNAP RING 19                    |
| 11  | 1   | 451691     | RATSTAMME   | STEERING COLUMN                 |
| 12  | 1   | 439544     | LÅSEMØTRIK M10                                    | LOCK NUT M10                    |
| 13  | 2   | 451692     | GUMMIBØS  | ELASTIC RUBBER BUSH             |
| 14  | 1   | 451693     | STYRESTANG  | STEERING TIE ROD                |
| 15  | 2   | 451694     | PINBOLT M8X28                                     | PIN SCREW M8×28                 |
| 16  | 1   | 451695     | GEAR TANDHJUL TIL<br>RATSTAMME                    | STEERING GEAR LEFT              |
| 17  | 1   | 439549     | SPLIT 6X26  | PIN 6×26                        |
| 18  | 2   | 436590     | SKIVE M10   | WASHER                          |
| 19  | 1   | 439553     | BØSNING   | HEXAGON BUSHING                 |
| 20  | 1   | 439552     | BØS   | BUSHING                         |
| 21  | 1   | 451696     | LÅSERING 16                                       | SNAP RING 16                    |
| 22  | 1   | 449518     | BOLT M8X45  | TIE PLATE                       |
| 23  | 2   | 439550     | BØS   | BUSHING                         |
| 24  | 1   | 451697     | STYREPLADE  | STEERING GEAR PLATE<br>WELDMENT |
| 25  | 1   | 439547     | BESLAG  | DOUBLE HOLE BOARD               |
| 26  | 1   | 439542     | FORBINDELSSESLED                                  | JOINT BEARING SIJK10C           |
| 27  | 1   | 439481     | LÅSEMØTRIK M10X1.25                               | LOCK NUT M10×1.25               |
| 28  | 1   | 451698     | FORBINDELSSESSTANG FOR<br>RATSTAMME               | STEERING WHEEL ROD A            |
| 29  | 2   | 429739     | PLADESKRUE MED<br>PANHOVED OG POZIDRIVE<br>4,8X14 | ST SCREW 4.8X13                 |
| 30  | 1   | 451699     | RAT   | STEERING WHEEL                  |
| 31  | 1   | 451700     | RATNAV  | SPLINED HUB                     |
| 32  | 1   | 451701     | SKIVE   | WASHER                          |
| 33  | 1   | 451702     | AFSKÆRMNING                                       | STEERING WHEEL CAP              |

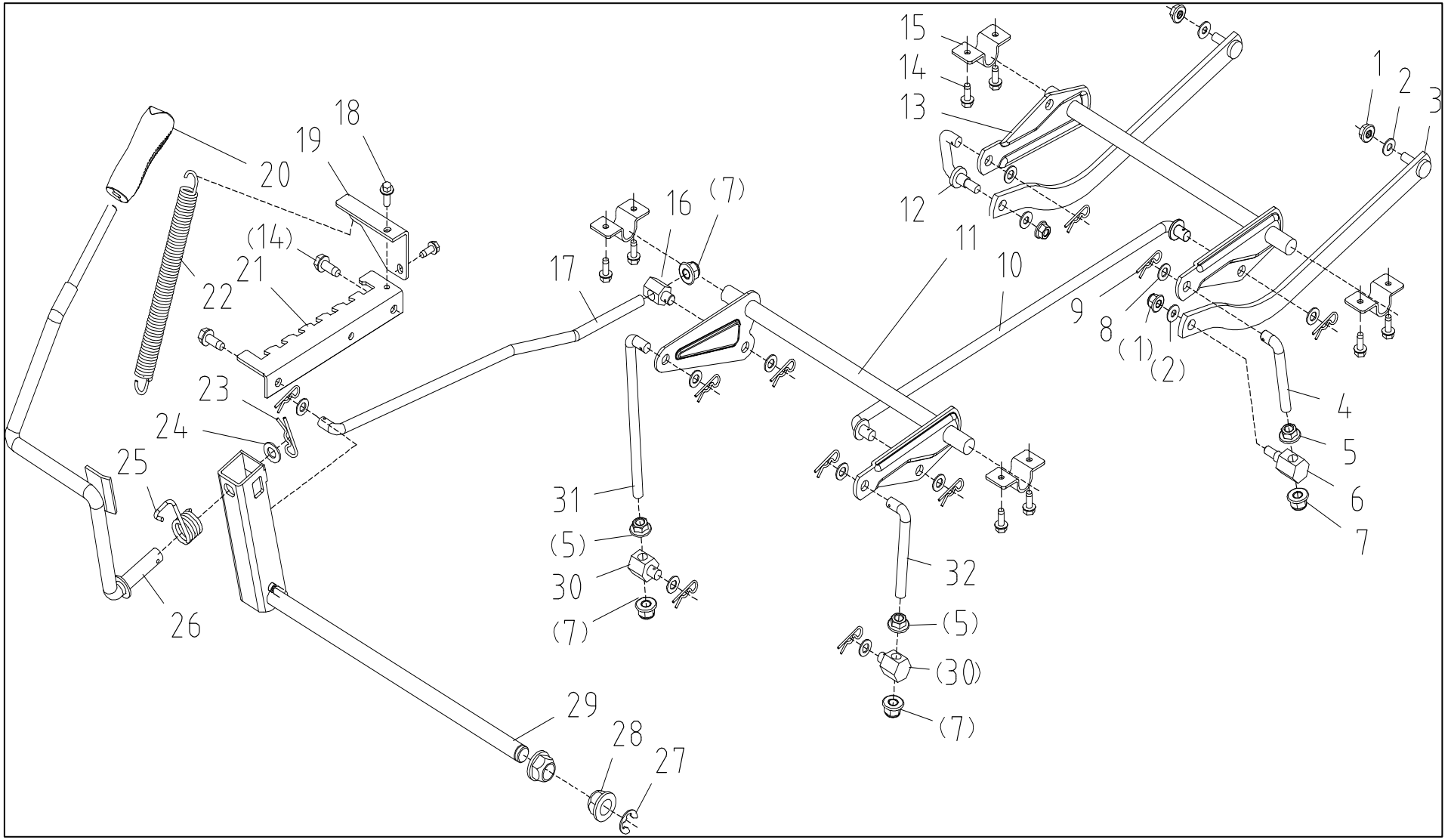


| POS | QTY | PARTNUMBER | BESKRIVELSE                  | DESCRIPTION                              |
|-----|-----|------------|------------------------------|--|
| 1   | 2   | 439521     | NAVKAPSEL                    | HUB COVER                                |
| 2   | 2   | 439532     | LÅSERING 8                   | RETAINER RING 15                         |
| 3   | 4   | 439522     | SKIVE 20X43X3                | WASHER 20x43x3                           |
| 4   | 2   | 436584     | BAGHJUL                      | REAR WHEEL ASSEMBLY                      |
| 5   | 2   | 439535     | NOT 4.75X7.75X60             | FLAT KEY 4.75x4.75x60                    |
| 6   | 1   | 449511     | BOLT M6X16                   | FLANGE BOLT M10x1.25x25                  |
| 7   | 1   | 449511     | BOLT M6X16                   | FLANGE BOLT M10x1.25x25                  |
| 8   | 1   | 451703     | PLADE FOR HYDROSTATISK AKSEL | REAR FIXED PLATE OF HYDRAULIC AXLE (T2 S |
| 9   | 6   | 449501     | LÅSEMØTRIK M8                | FLANGE LOCK NUT M6                       |
| 10  | 1   | 451704     | HYDROSTATISK GEAR            | TRANSAXLE, HYDRO GEAR                    |
| 11  | 1   | 451705     | SPLITBOLT                    | BOW-TIE COTTER PIN 2(K46)                |
| 12  | 4   | 449510     | FJEDERSPLIT                  | SPRING PIN                               |
| 13  | 1   | 439544     | LÅSEMØTRIK M10               | LOCK NUT M10                             |
| 14  | 2   | 449501     | LÅSEMØTRIK M8                | FLANGE LOCK NUT M6                       |
| 15  | 1   | 451706     | KABELHOLDER                  |  |
| 16  | 2   | 439472     | BOLT M8X20                   | BOLT M8x20                               |
| 17  | 1   | 452596     | BREMSEKABEL                  | BRAKE CABLE (K46)                        |
| 18  | 1   | 439694     | PEDALGUMMI BAK               | REVERSE PEDAL                            |
| 19  | 1   | 451708     | PEDALARM                     | FOOT LEVER WELDMENT                      |
| 20  | 4   | 449511     | BOLT M6X16                   | FLANGE BOLT M10x1.25x25                  |
| 21  | 1   | 439478     | FJEDERSPLIT                  | COTTER PIN                               |
| 22  | 4   | 439488     | MØTRIK M10X1.25              | " FLANGE NUT M10x1.25                    |
| 23  | 1   | 451709     | BESLAG FOR TRÆKSTANG         | PULL ROD PIN                             |
| 24  | 1   | 439481     | LÅSEMØTRIK M10X1.25          | LOCK NUT M10x1.25                        |
| 25  | 1   | 451710     | TRÆKSTANG                    | TRAVELING PULL ROD(K46)                  |
| 26  | 1   | 436590     | SKIVE M10                    | WASHER                                   |
| 27  | 1   | 452597     | BESLAG                       | CABLE FIXING PLATE                       |
| 28  | 4   | 451640     | BOLT M6X16                   | TAPPING SCREWM6*16                       |
| 29  | 1   | 451711     | FJEDER FOR BREMSE            | BRAKE RESET TENSION SPRING               |
| 30  | 2   | 451712     | BESLAG                       | U-SHAPED CLAMP                           |
| 31  | 4   | 451616     | FLANGEBOLT M5X16-18TX3/4     | FLANGE BOLT5/16-18TX3/4                  |
| 32  | 1   | 452542     | BESLAG                       | BRAK SWITCH SERT PLATE                   |
| 33  | 1   | 439695     | PEDAL FREM                   | FORWARD PEDAL                            |
| 34  | 1   | 436590     | SKIVE M10                    | WASHER                                   |
| 35  | 1   | 436590     | SKIVE M10                    | WASHER                                   |
| 36  | 1   | 449511     | BOLT M6X16                   | FLANGE BOLT M10x1.25x25                  |
| 37  | 1   | 452543     | TRINDÆKSEL                   | STEP COVER                               |
| 38  | 1   | 452544     | PARKERINGSKROG               | PARKING HOOK                             |
| 39  | 1   | 452545     | SKIVE 8                      | BIG WASHER 8                             |
| 40  | 1   | 452546     | BREMSE                       | DRAG LINK, BRAKE PARKING                 |
| 41  | 1   | 436602     | FJEDER                       | CLUTCH LEVER SPRING                      |
| 42  | 1   | 451718     | BREMSE HÅNDTAG               | BRAKE HANDLE                             |
| 43  | 1   | 451719     | STIFT U-FORMET               | U BOLT                                   |
| 44  | 1   | 451720     | BREMSE PEDAL                 | BRAKE FOOT BAR WELDMENT(HYDRAULIC PRESSU |
| 45  | 1   | 451721     | GUMMI BESLAG TIL BREMSEPEDAL | BRAKE PEDAL                              |

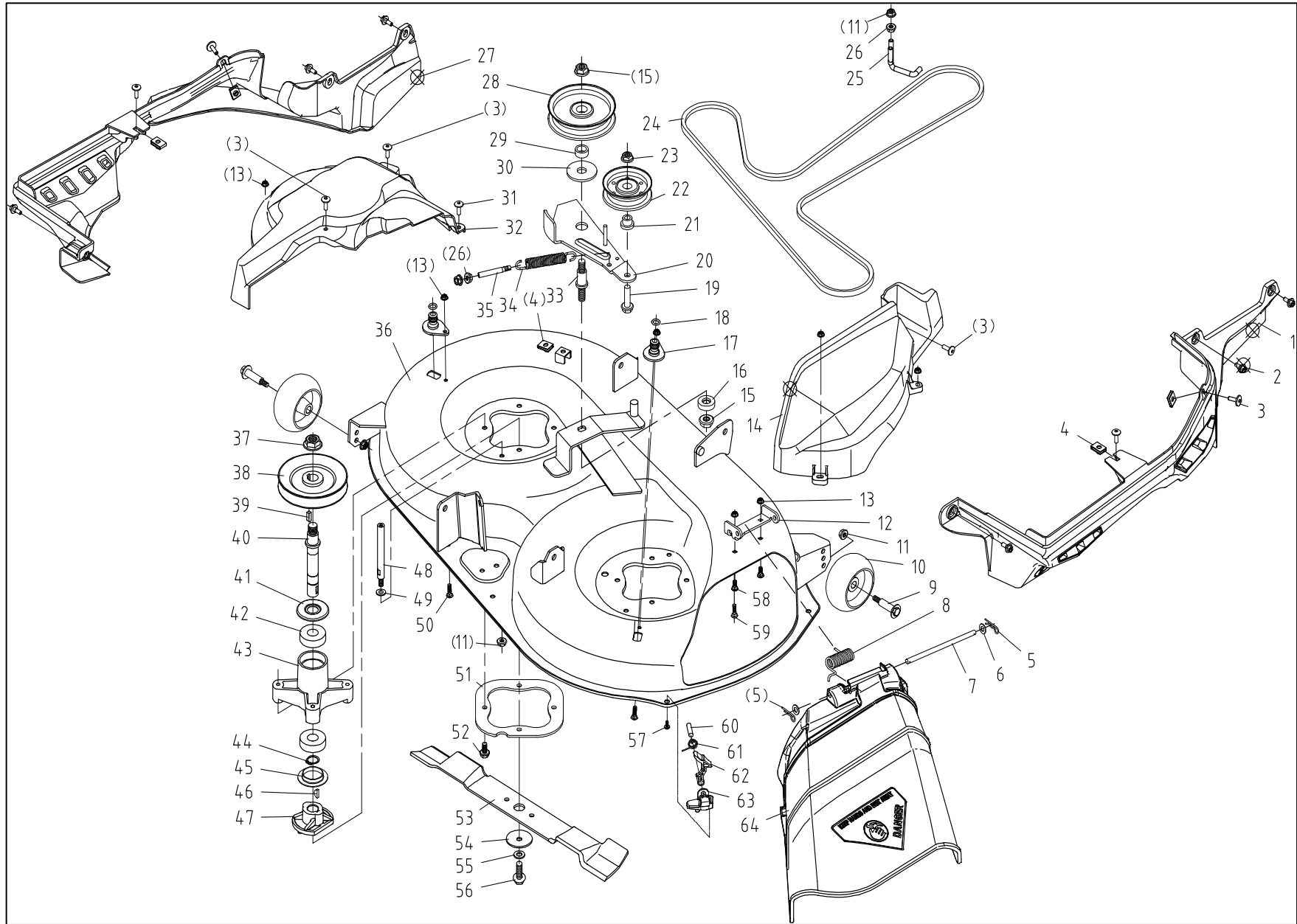


| POS | QTY | PARTNUMBER | BESKRIVELSE             | DESCRIPTION              |
|-----|-----|------------|-------------------------|--------------------------|
| 1   | 6   | 449501     | LÅSEMØTRIK M8           | FLANGE LOCK NUT M6       |
| 2   | 1   | 451722     | BESLAG FOR SÆDE         | SEAT BACK BEAM           |
| 3   | 4   | 449511     | BOLT M6X16              | FLANGE BOLT M10×1.25×25  |
| 4   | 2   | 439572     | FJEDER                  | SEAT SPRING              |
| 5   | 6   | 439465     | SKIVE 10                | BIG WASHER 6             |
| 6   | 6   | 449511     | BOLT M6X16              | FLANGE BOLT M10×1.25×25  |
| 7   | 2   | 439573     | PROP                    | SPRING CAP               |
| 8   | 1   | 452548     | SÆDEBESLAG              | JUSTABLE SEAT BASE PLATE |
| 9   | 2   | 452549     | SKRUE                   | SEAT SCREWS              |
| 10  | 2   | 452550     | SÆDESTRIMMEL            | SEAT CUSHION STRIP       |
| 11  | 2   | 451640     | BOLT M6X16              | TAPPING SCREWM6*16       |
| 12  | 1   | 452551     | SÆDE KONTAKT            | SEAT SWITCH COMPONENTS   |
| 13  | 1   | 439575     | SÆDE                    | SEAT                     |
| 14  | 1   | 452552     | FJEDER                  | SPRING?1.5×?16           |
| 15  | 1   | 452553     | PLADE FOR SÆDEJUSTERING | SEAT ADJUSTMENT PLATE    |



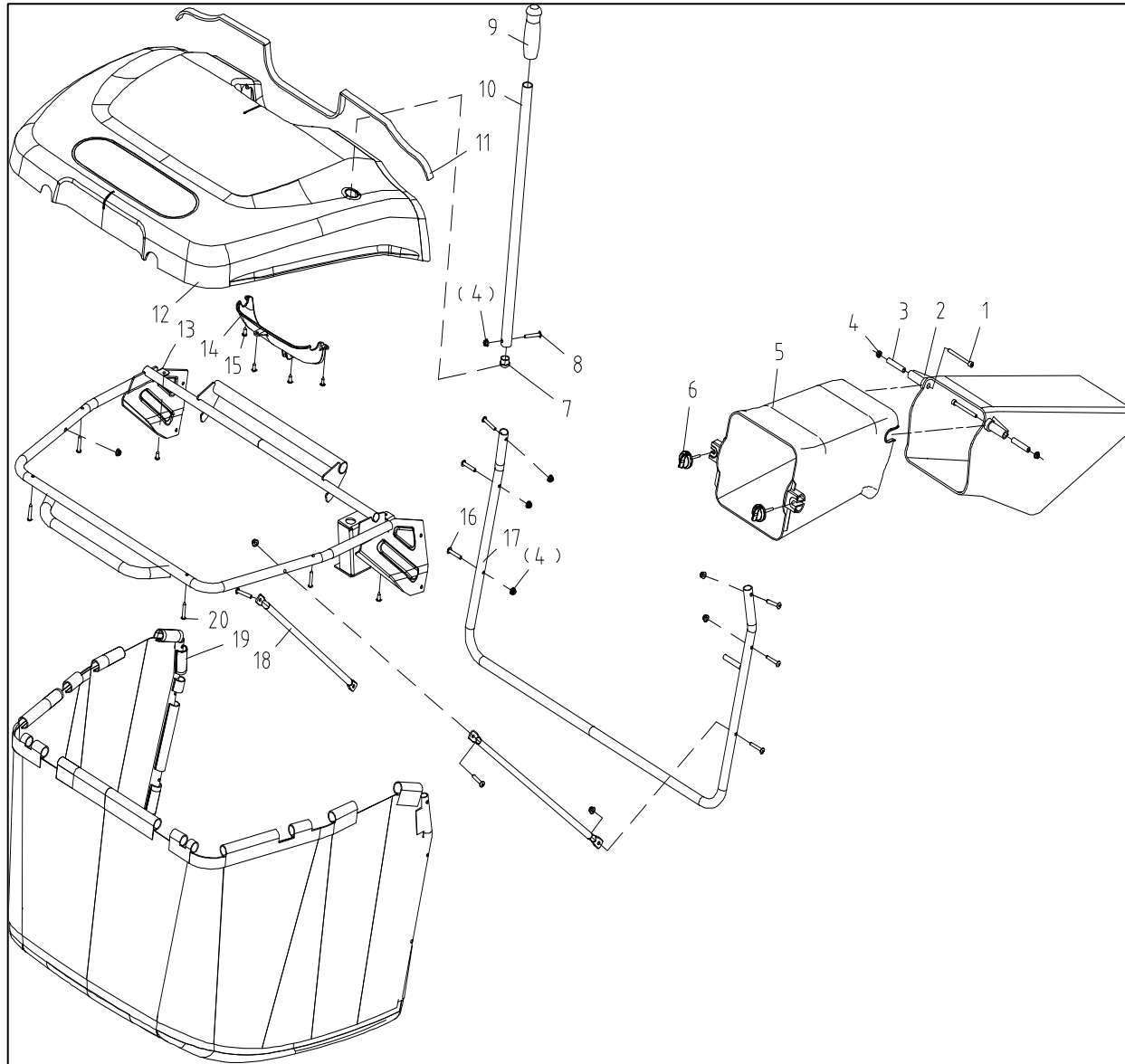


| POS | QTY | PARTNUMBER | BESKRIVELSE              | DESCRIPTION                              |
|-----|-----|------------|--------------------------|--|
| 1   | 4   | 449501     | LÅSEMØTRIK M8            | FLANGE LOCK NUT M6                       |
| 2   | 4   | 439465     | SKIVE 10                 | BIG WASHER 6                             |
| 3   | 2   | 451728     | FRONT BESLAG (STIVER)    | FRONT STAY BAR WELDMENT                  |
| 4   | 1   | 451729     | STØTTE BESLAG FORREST    | FRONT RIGHT DERRICK                      |
| 5   | 3   | 439488     | MØTRIK M10X1.25          | " FLANGE NUT M10×1.25                    |
| 6   | 1   | 451730     | JUSTERINGS BOLT          | PIN                                      |
| 7   | 4   | 439474     | AFSTANDSSTYKKE           | FLANGE LOCK NUT M10×1.25                 |
| 8   | 10  | 436590     | SKIVE M10                | WASHER                                   |
| 9   | 10  | 439478     | FJEDERSPLIT              | COTTER PIN                               |
| 10  | 1   | 452554     | LØFTESTANG               | LIFTING LINK ROD WELDMENT(SIDE ROW)      |
| 11  | 1   | 452555     | BAGARMS BESLAG           | REAR ARM WELDMENT(SIDE ROW)              |
| 12  | 1   | 451733     | STØTTEBESLAG FORREST     | U DERRICK WELDMENT                       |
| 13  | 1   | 451734     | BESLAG FOR STØTTE        | FRONT ARM WELDMENT                       |
| 14  | 10  | 451616     | FLANGEBOLT M5X16-18TX3/4 | FLANGE BOLT5/16-18TX3/4                  |
| 15  | 4   | 451712     | BESLAG                   | U-SHAPED CLAMP                           |
| 16  | 1   | 439591     | JUSTERBOLT               | ADJUSTING PIN                            |
| 17  | 1   | 452556     | LØFTESTANG               | LIFTING PULL ROD(SIDE ROW)               |
| 18  | 2   | 451640     | BOLT M6X16               | TAPPING SCREWM6*16                       |
| 19  | 1   | 451736     | BESLAG                   | SPRING HANGING PLATE TTM86, ELECTROPLATI |
| 20  | 1   | 439503     | GREB                     | HANDLE                                   |
| 21  | 1   | 451737     | JUSTERINGSBESLAG         | RATCHET PLATE                            |
| 22  | 1   | 451738     | LØFTEFJEDER              | LIFTING HELPING SPRING                   |
| 23  | 1   | 440908     | SPLIT                    | HAIR PIN COTTER 3                        |
| 24  | 1   | 403342     | SKIVE 4                  | WASHER                                   |
| 25  | 1   | 440902     | FJEDER HØJRE             | TORSIONAL SPRING R                       |
| 26  | 1   | 451739     | LØFTESTANG               | LEVEL WELDMENT                           |
| 27  | 1   | 439532     | LÅSERING 8               | RETAINER RING 15                         |
| 28  | 2   | 439553     | BØSNING                  | HEXAGON BUSHING                          |
| 29  | 1   | 451740     | LØFTEARM                 | DECK LIFT SHIFT ASSEMBLE                 |
| 30  | 2   | 451741     | JUSTERINGSBOLT           | PIN JOINT, ELECTROPLATED                 |
| 31  | 1   | 452557     | JUSTERINGS ARM VENSTRE   | REAR LEFT ADJUSTING LEVER                |
| 32  | 1   | 452558     | JUSTERINGS ARM HØJRE     | REAR RIGHT ADJUSTING LEVER TTM86S,ELECTR |

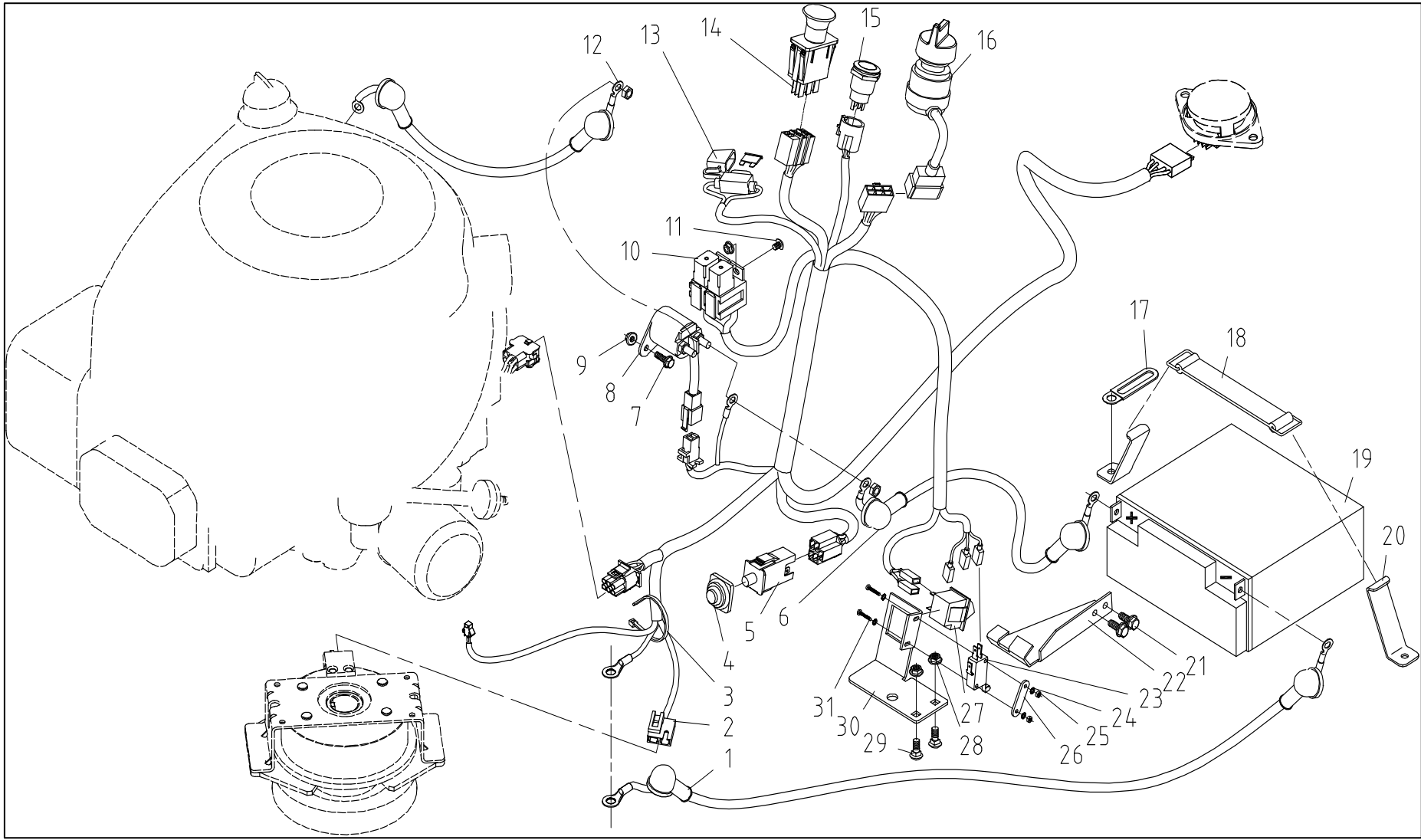


| POS | QTY | PARTNUMBER | BESKRIVELSE      | DESCRIPTION                              |
|-----|-----|------------|------------------|--|
| 1   | 1   | 452559     | REMSKÆRM HØJRE   | BELT COVER RIGHT<br>TTM98S/108S,BIG      |
| 2   | 6   | 451613     | SKRUE 6,3X11,5   | HEXAGON HEAD TAPPING<br>SCREW6.3X11.5    |
| 3   | 7   | 439622     | SKRUE M6X16      | SCREW M6×16                              |
| 4   | 5   | 439509     | MØTRIK M6        | BUCKLE NUT M6                            |
| 5   | 2   | 439478     | FJEDERSPLIT      | COTTER PIN                               |
| 6   | 2   | 436590     | SKIVE M10        | WASHER                                   |
| 7   | 1   | 452560     | STANG Ø8X168     | PIN Ø8×168                               |
| 8   | 1   | 452561     | FJEDER           | TORSION SPRING                           |
| 9   | 2   | 451620     | HJULAKSEL        | WHEEL AXLE                               |
| 10  | 2   | 452562     | HJUL             | WHEEL                                    |
| 11  | 3   | 449501     | LÅSEMØTRIK M8    | FLANGE LOCK NUT M6                       |
| 12  | 1   | 452563     | OPHÆNG           | HINGE                                    |
| 13  | 7   | 449501     | LÅSEMØTRIK M8    | FLANGE LOCK NUT M6                       |
| 14  | 1   | 452564     | SKÆRM HØJRE      | RIGHT SHIELD                             |
| 15  | 2   | 439474     | AFSTANDSSTYKKE   | FLANGE LOCK NUT M10×1.25                 |
| 16  | 1   | 439500     | BØS              | BUSHING                                  |
| 17  | 2   | 439613     | VASKESTUDS       | WATER NOZZLE                             |
| 18  | 2   | 439612     | SKIVE 11.2X2.65  | O RING 11.2×2.65                         |
| 19  | 1   | 449506     | BOLT M10X1.25X40 | " FLANGE BOLT M10×1.25×40                |
| 20  | 1   | 452566     | BESLAG           | CUT TENTION ARM<br>ASSEMBLY              |
| 21  | 1   | 439487     | BØS              | TENTION PULLEY BUSHING                   |
| 22  | 1   | 436575     | REMSKIVE         | TENSION PULLEY                           |
| 23  | 1   | 439474     | AFSTANDSSTYKKE   | FLANGE LOCK NUT M10×1.25                 |
| 24  | 1   | 436577     | KLIPPEREM 48X900 | V BELT                                   |
| 25  | 1   | 452567     | STANG            | CLUTCH BELT STOP ROD<br>SOLDER           |
| 26  | 3   | 403226     | FLANGEMØTRIK M6  | COLLAR NUT M8                            |
| 27  | 1   | 452568     | REMSKÆRM VENSTRE | LEFT GUARD<br>TTM98S/108S,BIG            |
| 28  | 1   | 439495     | REMSKIVE         | IDLENESS PULLEY                          |
| 29  | 1   | 439496     | BØS              | BUSHING                                  |
| 30  | 1   | 439497     | SKIVE 17.3X55X4  | WASHER 17.3×55X4                         |
| 31  | 1   | 439622     | SKRUE M6X16      | SCREW M6×16                              |
| 32  | 1   | 452569     | SKÆRM VENSTRE    | LEFT SHIELD                              |
| 33  | 1   | 439501     | BOLT             | IDLENESS PULLEY SHAFT                    |
| 34  | 1   | 436576     | FJEDER           | SPRING                                   |
| 35  | 1   | 451615     | JUSTERINGSSKRUE  | ADJUSTING SCREW ROD                      |
| 36  | 1   | 452570     | KLIPPEBORD       | DECK WELDMENTSIDE<br>BLACK SPRAY MOLDING |
| 37  | 2   | 439615     | MØTRIK M16       | NUT FOR BLADE AXLE                       |
| 38  | 2   | 439616     | REMSKIVE         | PULLEY                                   |
| 39  | 2   | 439617     | NOT              | FLAT KEY C6×18                           |
| 40  | 2   | 439618     | KNIVAKSEL        | BLADE SPINDLE                            |
| 41  | 2   | 440944     | LEJE             | HOOD, BEARING                            |
| 42  | 4   | 436583     | LEJE 6203-2RZ    | BEARING 61904-2RZ                        |
| 43  | 2   | 439619     | LEJEHUS          | BLADE SEAT                               |
| 44  | 2   | 436587     | SEEGERRING Ø24   | SNAP RING 19                             |
| 45  | 2   | 449521     | LEJE             | HOOD, BEARING                            |
| 46  | 2   | 409860     | NOT HALVCIRKEL   | HALFMOON KEY                             |

| POS | QTY | PARTNUMBER | BESKRIVELSE                                       | DESCRIPTION                            |
|-----|-----|------------|---|--|
| 47  | 2   | 436588     | KNIVHOLDER  | SLEEVE                                 |
| 48  | 1   | 439621     | AKSEL   | STUD SCREW                             |
| 49  | 1   | 403215     | SKIVE Ø5  | WASHER M6                              |
| 50  | 2   | 439472     | BOLT M8X20  | BOLT M8×20                             |
| 51  | 2   | 452571     | PLADE (FORSTÆRKNING)                              | DECK DISC REINFORCEMENT<br>PLATE       |
| 52  | 8   | 449511     | BOLT M6X16  | FLANGE BOLT M10×1.25×25                |
| 53  | 2   | 465083     | KNIV  | BLADE                                  |
| 54  | 2   | 436591     | SKIVE   | SAUCER WASHER                          |
| 55  | 2   | 436590     | SKIVE M10   | WASHER                                 |
| 56  | 2   | 436589     | KNIVBOLT  | BOLT 3/8-24UNF                         |
| 57  | 1   | 429739     | PLADESKRUE MED<br>PANHOVED OG POZIDRIVE<br>4,8X14 | ST SCREW 4.8X13                        |
| 58  | 2   | 439472     | BOLT M8X20  | BOLT M8×20                             |
| 59  | 1   | 439472     | BOLT M8X20  | BOLT M8×20                             |
| 60  | 1   | 452572     | LÅSESTIFT   | SELF LOCKING PIN TTM86S                |
| 61  | 1   | 452573     | FJEDER  | SELF LOCKING TORSION<br>SPRING TTM86S  |
| 62  | 1   | 452574     | BESLAG  | SELF LOCKING BUCKLE<br>TTM86S, RAL3020 |
| 63  | 1   | 452575     | BASE  | SELF LOCKING BASE<br>TTM86S, BLACK     |
| 64  | 1   | 452576     | UDKASTERSKÆRM                                     | DISCHARGE CHUTE                        |

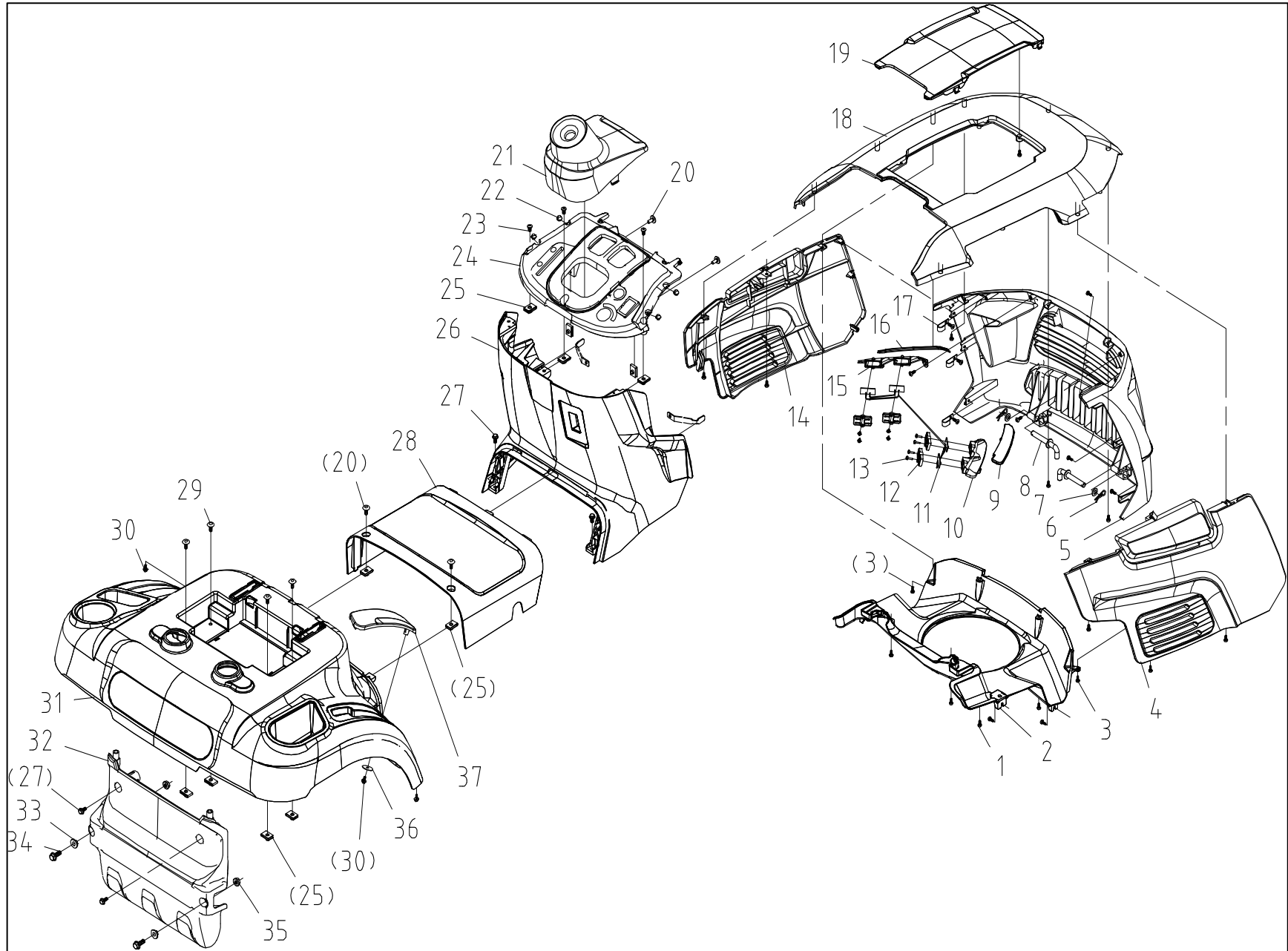


| POS | QTY | PARTNUMBER | BESKRIVELSE         | DESCRIPTION                                 |
|-----|-----|------------|---------------------|---|
| 1   | 2   | 439492     | SKRUE M6X20         | SCREW M6×20                                 |
| 2   | 1   | 451786     | GRÆSOPSAMPLER FRONT | FRONT GRASS COLLECTOR                       |
| 3   | 2   | 451787     | BØS 6*10*48         | SPACER 6*10*48                              |
| 4   | 11  | 449501     | LÅSEMØTRIK M8       | FLANGE LOCK NUT M6                          |
| 5   | 1   | 451788     | OPSAMPLER BAG       | REAR GRASS COLLECTOR                        |
| 6   | 2   | 451789     | LÅSEPAL             | LOCK KNOB                                   |
| 7   | 1   | 451790     | PROP                | CORE PLUG                                   |
| 8   | 1   | 439492     | SKRUE M6X20         | SCREW M6×20                                 |
| 9   | 1   | 440587     | GREB                | HANDLE                                      |
| 10  | 1   | 440588     | STANG               | LEVER                                       |
| 11  | 1   | 452577     | AFDÆKNING           | SEALING WOOL TTM86                          |
| 12  | 1   | 451792     | TOPDÆKSEL           | COVER                                       |
| 13  | 1   | 451793     | TOP RAMME           | GRASS COLLECTING FRAME<br>FRONT SUPPORT WEL |
| 14  | 1   | 451794     | PLADE               | HANDLE DECPRATIVE PLATE                     |
| 15  | 6   | 451784     | SKRUE ST4.8X16      | TAPPING SCREW ST4.8X16                      |
| 16  | 8   | 451795     | BOLT M6X35          | HEXAGON BOLT M6X35                          |
| 17  | 1   | 451796     | RAMME UNDERDEL      | GRASS COLLECTING FRAME<br>STATE SUPPORT WEL |
| 18  | 2   | 451797     | SIDESTAGSRØR        | SIDE STAY PIPE                              |
| 19  | 1   | 451798     | GRÆSFANGER BUND+NET | GRASS CATCHER(BOTTOM<br>+CATCHER)           |
| 20  | 4   | 451784     | SKRUE ST4.8X16      | TAPPING SCREW ST4.8X16                      |

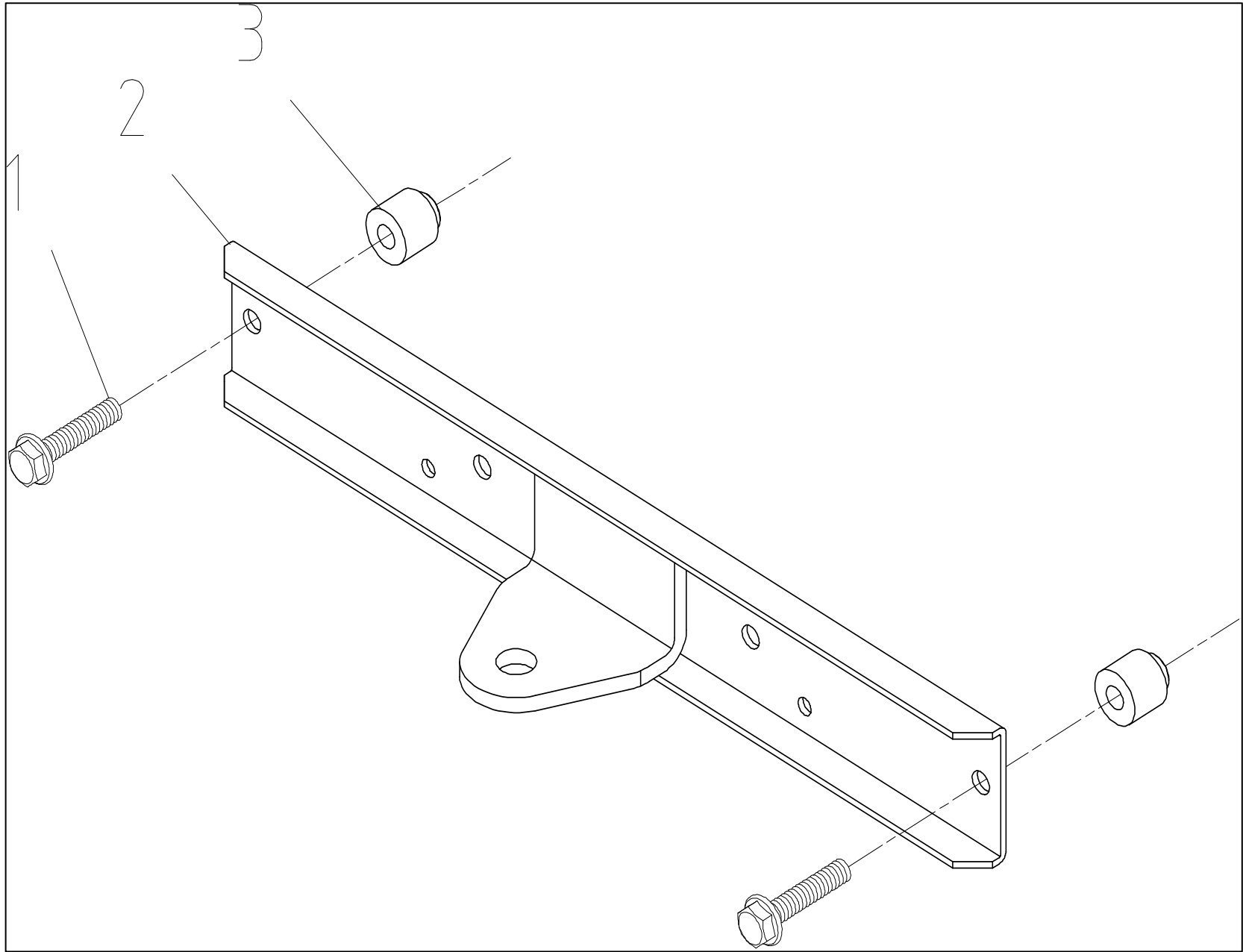




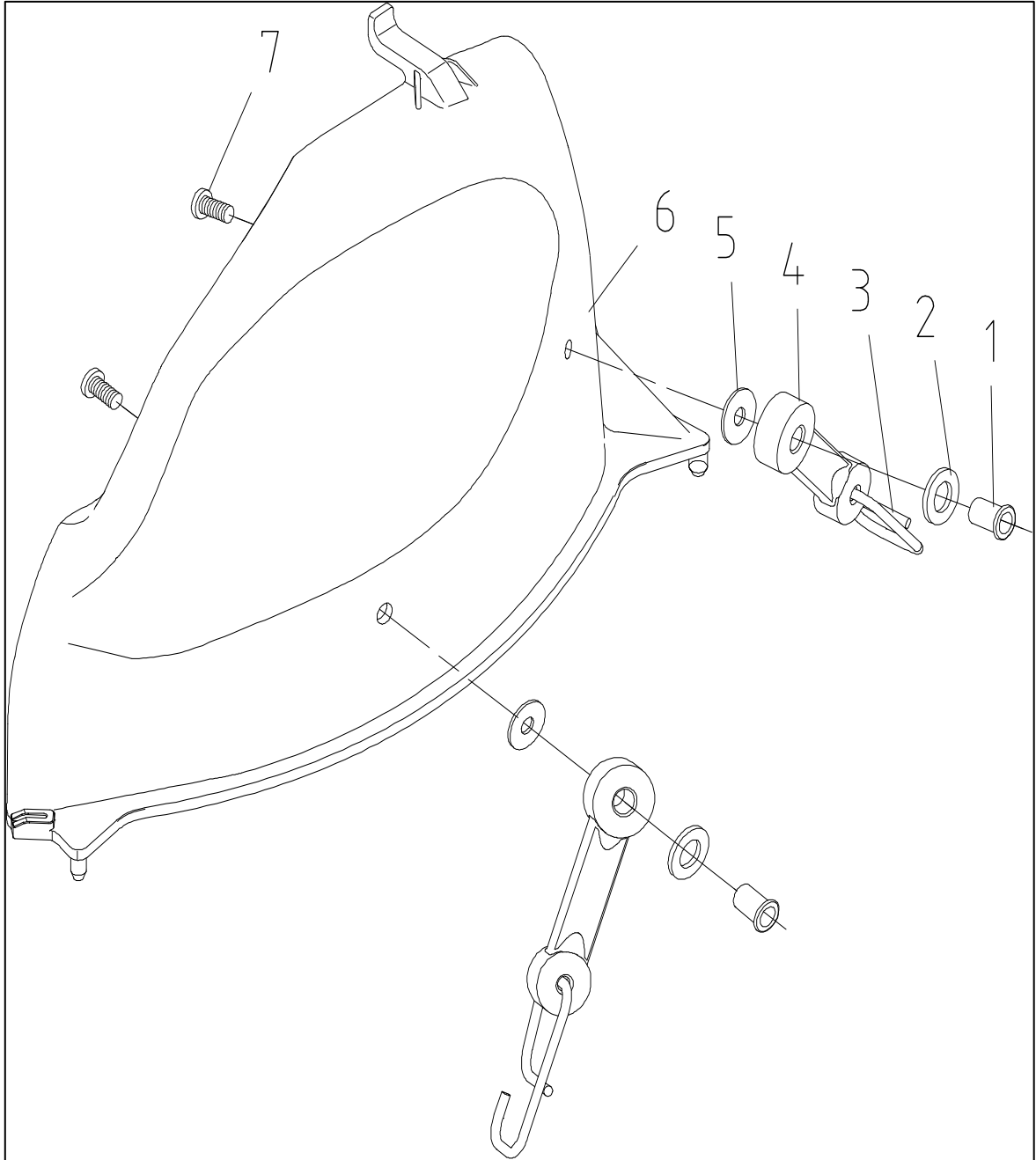
| POS | QTY | PARTNUMBER | BESKRIVELSE               | DESCRIPTION                     |
|-----|-----|------------|---------------------------|---------------------------------|
| 1   | 1   | 451758     | KABEL                     | GROUND CABLE                    |
| 2   | 1   | 452599     | EL-KABEL (EL-START)       | ELECTRIC CABLE (ELECTRIC START) |
| 4   | 1   | 452579     | HÆTTE FOR KONTAKT         | COVER, SWITCH                   |
| 5   | 1   | 452580     | TÆND/SLUK KONTAKT         | SWITCH, PLUNGER                 |
| 6   | 1   | 439672     | LEDNING                   | BATTERY CABLE                   |
| 7   | 2   | 439441     | BOLT M8X45                | FLANGE BOLT M10×1.5×35          |
| 8   | 1   | 439660     | RELÆ                      | STAR RELAY                      |
| 9   | 3   | 449501     | LÅSEMØTRIK M8             | FLANGE LOCK NUT M6              |
| 10  | 2   | 452581     | RELÆ                      | RELAY YAP23H-12-HR              |
| 11  | 1   | 452582     | BOLT M5X12                | SCREW M5×12                     |
| 12  | 1   | 439661     | LEDNING                   | POWER CABLE                     |
| 13  | 1   | 436594     | SIKRING                   | FUSE                            |
| 14  | 1   | 451748     | KONTAKT FOR KOBLING       | SWITCH, PTO                     |
| 15  | 1   | 452583     | KONTAKT                   | SWITCH                          |
| 16  | 1   | 451750     | KONTAKT INKL. NØGLE       | ELECTRIC DOOR LOCK              |
| 17  | 1   | 452584     | KLEMME                    | WIRE CLAMP                      |
| 18  | 1   | 449527     | BATTERIHOLDER TOP         | BELT                            |
| 19  | 1   | 440968     | BATTERI 12V/18AH          | BATTERY                         |
| 20  | 2   | 451757     | BESLAG                    | HOOK                            |
| 21  | 2   | 451640     | BOLT M6X16                | TAPPING SCREWM6*16              |
| 22  | 1   | 451759     | PLADE FOR BAKGEARSKONTAKT | SWITCH LEVER                    |
| 23  | 1   | 440431     | KONTAKT                   | SWITCH                          |
| 24  | 2   | 451754     | SKIVE                     | WASHER 3                        |
| 25  | 2   | 449512     | MØTRIK M8                 | NUT M8                          |
| 26  | 1   | 451760     | SKIVE                     | WASHER                          |
| 27  | 2   | 451751     | KONTAKT                   | SWITCH                          |
| 28  | 2   | 449501     | LÅSEMØTRIK M8             | FLANGE LOCK NUT M6              |
| 29  | 2   | 439472     | BOLT M8X20                | BOLT M8×20                      |
| 30  | 1   | 451761     | PLADE FOR BAKGEARSKONTAKT | SWITCH BASE                     |
| 31  | 2   | 449498     | SKRUE M4X16               | SCREW M4×16                     |



| POS | QTY | PARTNUMBER | BESKRIVELSE                | DESCRIPTION                                 |
|-----|-----|------------|----------------------------|---|
| 1   | 27  | 439626     | SKRUE ST4.8X16             | SCREW ST4.8×16                              |
| 2   | 1   | 451762     | LUFTINDTAG                 | AIR DIRECTOR                                |
| 3   | 2   | 439626     | SKRUE ST4.8X16             | SCREW ST4.8×16                              |
| 4   | 1   | 451763     | FRONT SKÆRM HØJRE          | RIGHT SIDE COVER                            |
| 5   | 1   | 451764     | FRONT COVER                | FRONT COVER                                 |
| 6   | 2   | 439478     | FJEDERSPLIT                | COTTER PIN                                  |
| 7   | 2   | 436590     | SKIVE M10                  | WASHER                                      |
| 8   | 2   | 451765     | STANG                      | PIN   |
| 9   | 1   | 451766     | LYS COVER HØJRE            | RIGHT LIGHT COVER                           |
| 10  | 1   | 451767     | LYSBASE HØJRE              | RIGHT LIGHT BASE<br>TTM86,BRIGHT SILVER PLA |
| 11  | 1   | 451768     | PÆRE                       | LIGHT                                       |
| 12  | 4   | 451769     | LYSBASE COVER HØJRE        | LAMP BASE COVER TTM86,<br>BLACK             |
| 13  | 8   | 439626     | SKRUE ST4.8X16             | SCREW ST4.8×16                              |
| 14  | 1   | 451771     | FRONT SKÆRM VENSTRE        | LEFT SIDE COVER                             |
| 15  | 1   | 451770     | LYGTEBASE VENSTRE          | LEFT LIGHT BASE                             |
| 16  | 1   | 451772     | LYS COVER VENSTRE          | LEFT LIGHT COVER                            |
| 17  | 4   | 415950     | BESLAG                     | CORD SPLINT                                 |
| 18  | 1   | 451773     | MOTOR COVER                | ENGINE COVER                                |
| 19  | 1   | 451774     | LUFTINDTAG COVER           | ENGINE COVER AIR INTAKE                     |
| 20  | 4   | 439622     | SKRUE M6X16                | SCREW M6×16                                 |
| 21  | 1   | 451775     | RAT COVER                  | STEERING WHEEL COVER                        |
| 22  | 4   | 451776     | ANTI-VIBRATION GUMMI       | HANDLE ANTI-VIBRATION<br>RUBBER             |
| 23  | 3   | 449498     | SKRUE M4X16                | SCREW M4×16                                 |
| 24  | 1   | 451777     | PANEL                      | PANEL                                       |
| 25  | 11  | 439509     | MØTRIK M6                  | BUCKLE NUT M6                               |
| 26  | 1   | 451778     | SKJOLD                     | SHIELD                                      |
| 27  | 6   | 451640     | BOLT M6X16                 | TAPPING SCREWM6*16                          |
| 28  | 1   | 451779     | VEDLIGEHOLDELSESDÆKSE<br>L | MAINTENANCE COVER                           |
| 29  | 4   | 439622     | SKRUE M6X16                | SCREW M6×16                                 |
| 30  | 3   | 451784     | SKRUE ST4.8X16             | TAPPING SCREW ST4.8X16                      |
| 31  | 1   | 452585     | DÆKSEL BAGERST             | SIDE DISCHARGE REAR SEAT                    |
| 32  | 1   | 452586     | DÆKSEL FOR GEARKASSE       | GEAR BOX COVER                              |
| 33  | 2   | 451643     | SKIVE Ø8X18X33             | BUSHING                                     |
| 34  | 2   | 439441     | BOLT M8X45                 | FLANGE BOLT M10×1.5×35                      |
| 35  | 2   | 449501     | LÅSEMØTRIK M8              | FLANGE LOCK NUT M6                          |
| 36  | 1   | 439454     | TANKPAKNING 6X25X1.5       | GASKET 6×25×1.5                             |
| 37  | 1   | 451785     | DEKORATIV PLADE            | STALL DECORATIVE PLATE                      |



| POS | QTY | PARTNUMBER | BESKRIVELSE    | DESCRIPTION             |
|-----|-----|------------|----------------|-------------------------|
| 1   | 2   | 449511     | BOLT M6X16     | FLANGE BOLT M10×1.25×25 |
| 2   | 1   | 452600     | PLADE FOR TRÆK | HITCH                   |
| 3   | 2   | 452588     | AFDÆKNING      | BUSHING                 |



| POS | QTY | PARTNUMBER | BESKRIVELSE    | DESCRIPTION  |
|-----|-----|------------|----------------|--------------|
| 1   | 2   | 439655     | MØTRIK M6X13.5 | NUT M6×13.5  |
| 2   | 2   | 439465     | SKIVE 10       | BIG WASHER 6 |
| 3   | 2   | 439656     | KROG           | HOOK         |
| 4   | 2   | 439657     | GUMMIBØS       | BELT         |
| 5   | 2   | 439658     | SKIVE 6        | WASHER 6     |
| 6   | 1   | 452589     | BIOKLIP SKÆRM  | MULCH COVER  |
| 7   | 2   | 449498     | SKRUE M4X16    | SCREW M4×16  |